



US00D982344S

(12) **United States Design Patent**
Moncrief

(10) **Patent No.:** **US D982,344 S**

(45) **Date of Patent:** **** Apr. 4, 2023**

(54) **TISSUE AND HAND SANITIZER DISPENSER**

(71) Applicant: **Nellie L. Moncrief**, Ferndale, MI (US)

(72) Inventor: **Nellie L. Moncrief**, Ferndale, MI (US)

(73) Assignees: **Elizabeth Chaney Moncrief**, Dearborn, MI (US); **Nellie Moncrief**, Ferndale, MI (US)

(**) Term: **15 Years**

(21) Appl. No.: **29/793,050**

(22) Filed: **Mar. 8, 2021**

(51) **LOC (14) Cl.** **06-04**

(52) **U.S. Cl.**
USPC **D6/519; D6/524**

(58) **Field of Classification Search**
USPC D6/519, 515, 522, 542, 518, 520, 523,
D6/543, 544, 545, 524, 527
CPC A47K 2010/3266; A47K 10/46; A47K
10/32; A47K 10/185; A47K 10/16; A47K
17/00; A47K 10/40; A47K 10/38; A47K
2010/324; A47K 5/00
See application file for complete search history.

(56) **References Cited**

U.S. PATENT DOCUMENTS

D310,923 S * 10/1990 Breger D6/522
D312,180 S * 11/1990 Perrin D6/522

5,878,893 A * 3/1999 Micienko A47K 10/38
D6/519
D499,288 S * 12/2004 Taylor D6/520
D545,099 S * 6/2007 Fernandez, Jr. D6/555
D595,521 S * 7/2009 Thielke D6/518
D613,536 S * 4/2010 Pattberg D6/518
D783,305 S * 4/2017 Cain D6/519
D932,209 S * 10/2021 Moses D6/523

* cited by examiner

Primary Examiner — Nathan M Johnston

(74) *Attorney, Agent, or Firm* — Jacob M. Ward; Ward Law Office LLC

(57) **CLAIM**

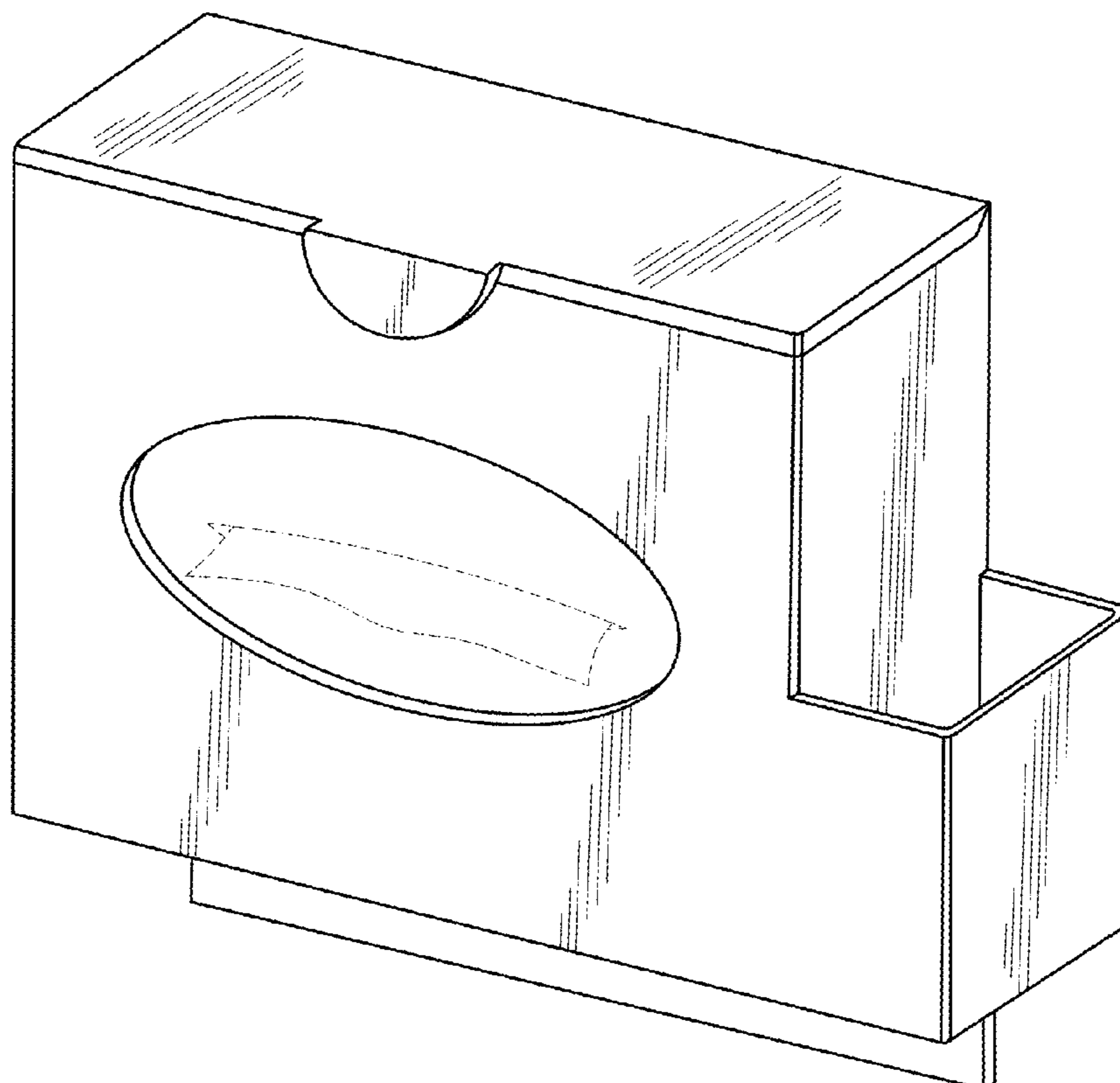
The ornamental design for a tissue and hand sanitizer dispenser, as shown and described.

DESCRIPTION

FIG. 1 is an environmental perspective view of a tissue and hand sanitizer dispenser showing my new design; FIG. 2 is a perspective view thereof; FIG. 3 is a right side view thereof; FIG. 4 is a front view thereof; FIG. 5 is a left side view thereof; FIG. 6 is a rear view thereof; FIG. 7 is a top view thereof; and, FIG. 8 is a bottom view thereof.

The broken lines shown in the FIGS. 1 and 2 represent portions of the tissue and hand sanitizer dispenser that form no part of the claimed design.

1 Claim, 4 Drawing Sheets



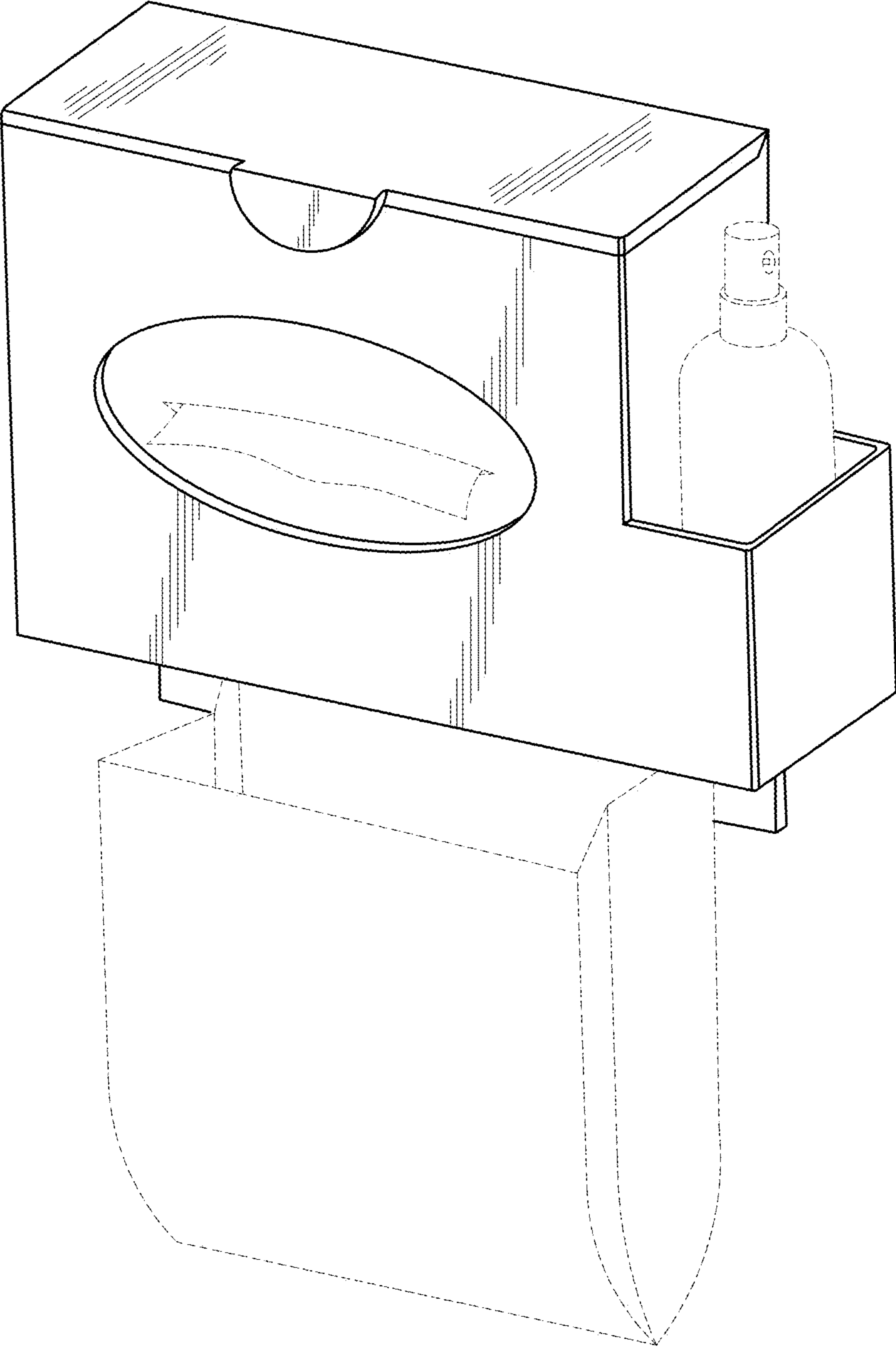


Fig. 1

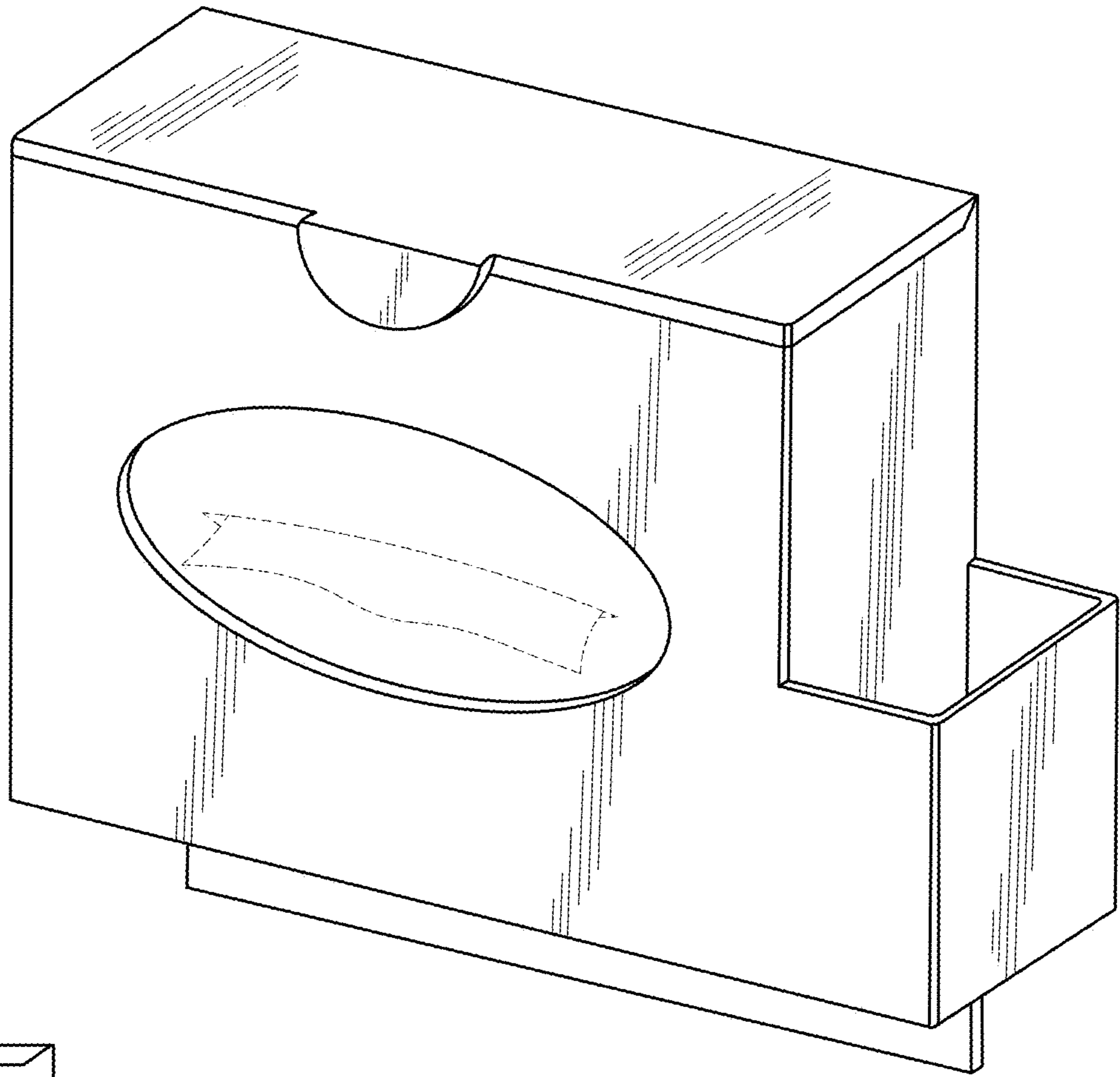


Fig. 2

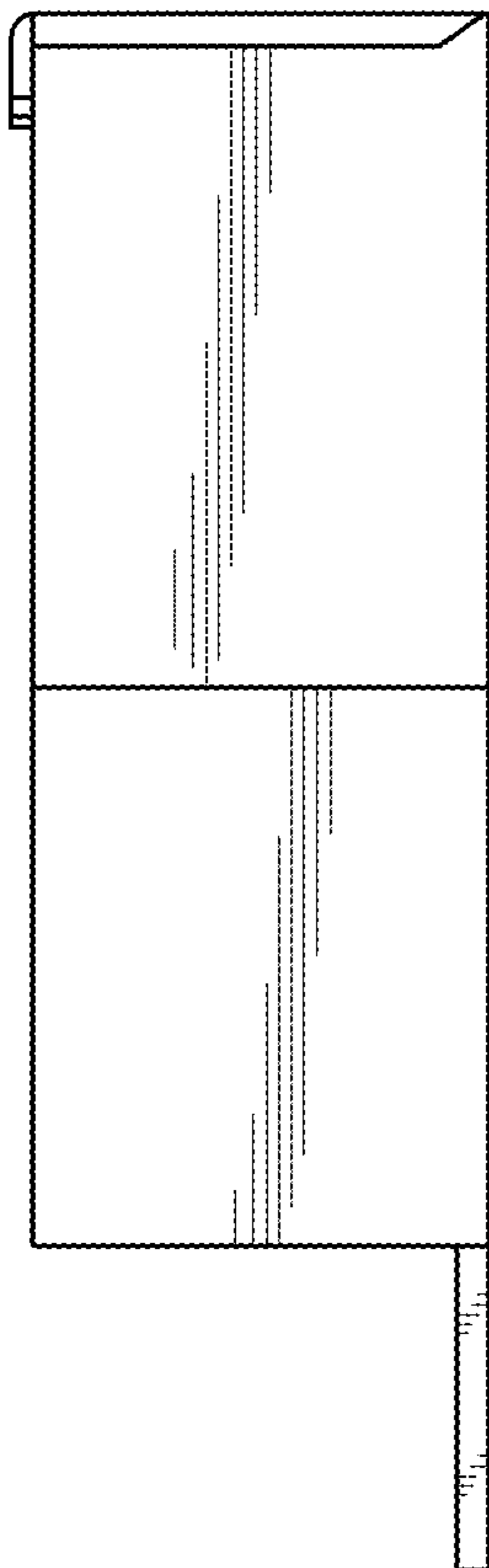


Fig. 3

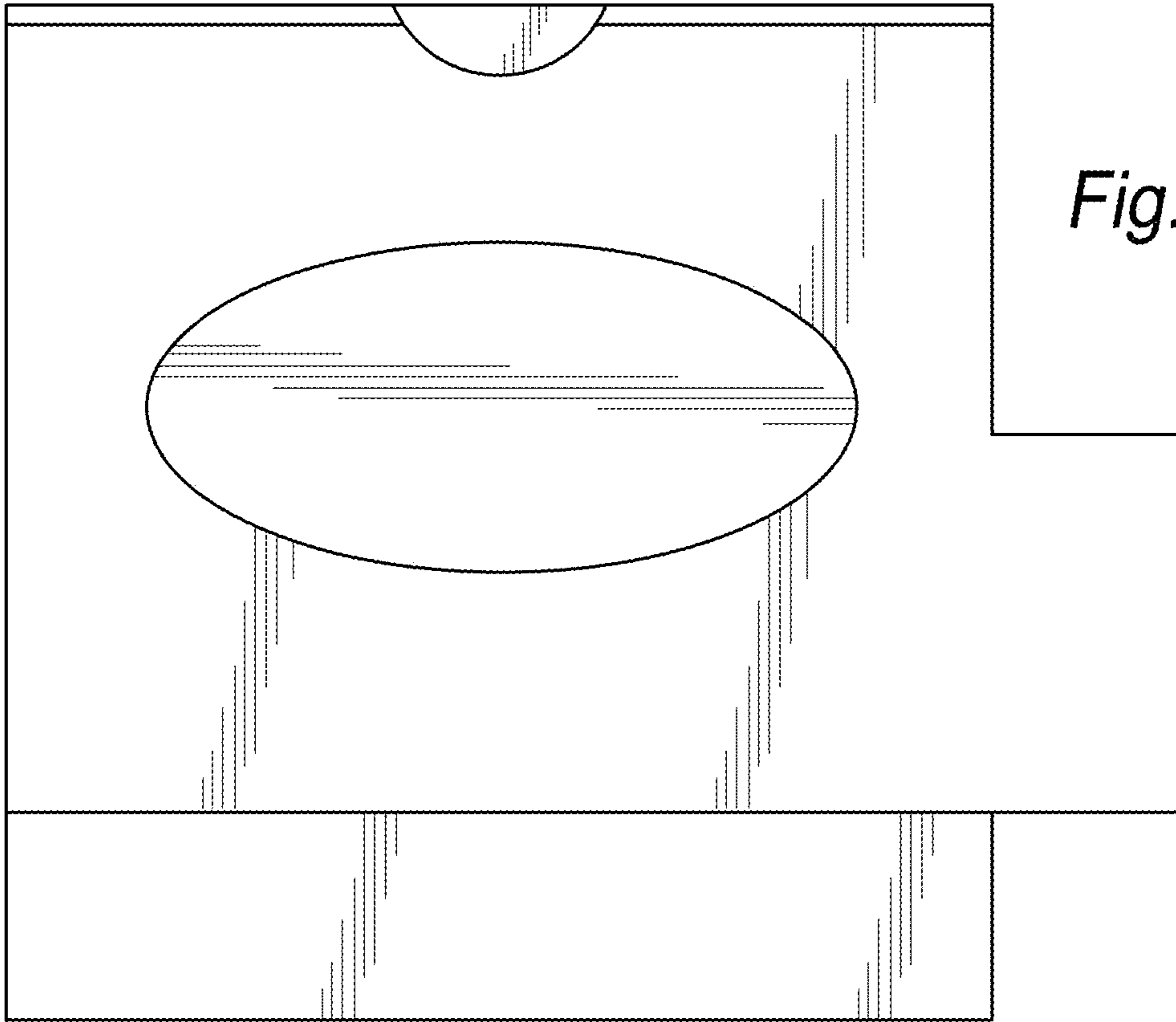


Fig. 4

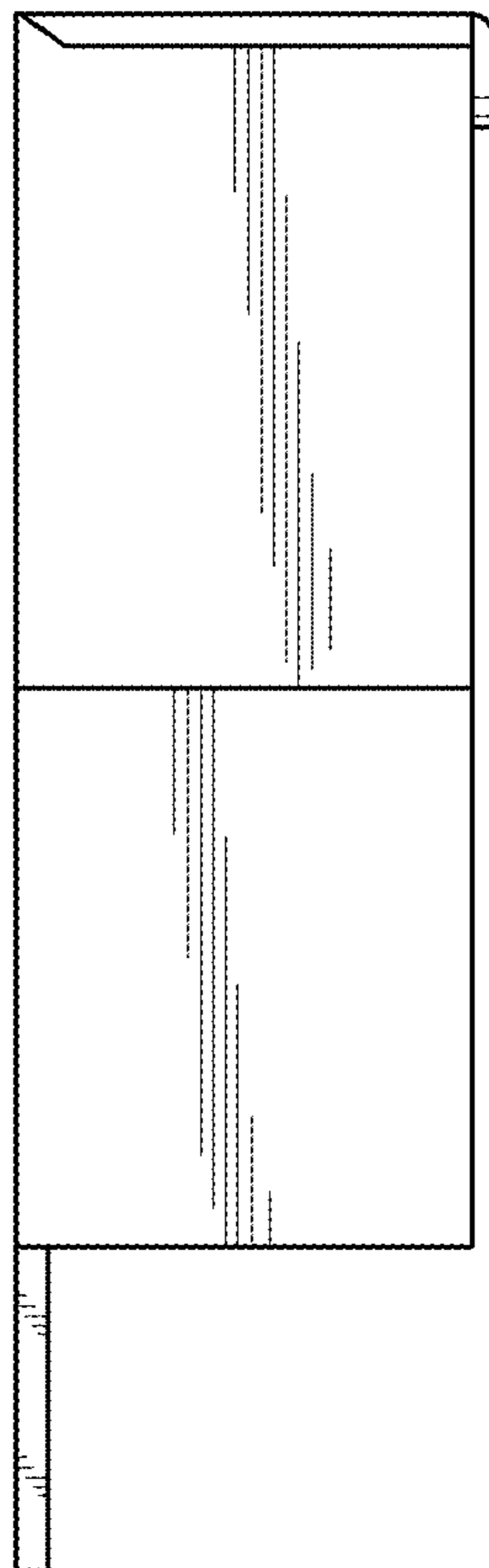


Fig. 5

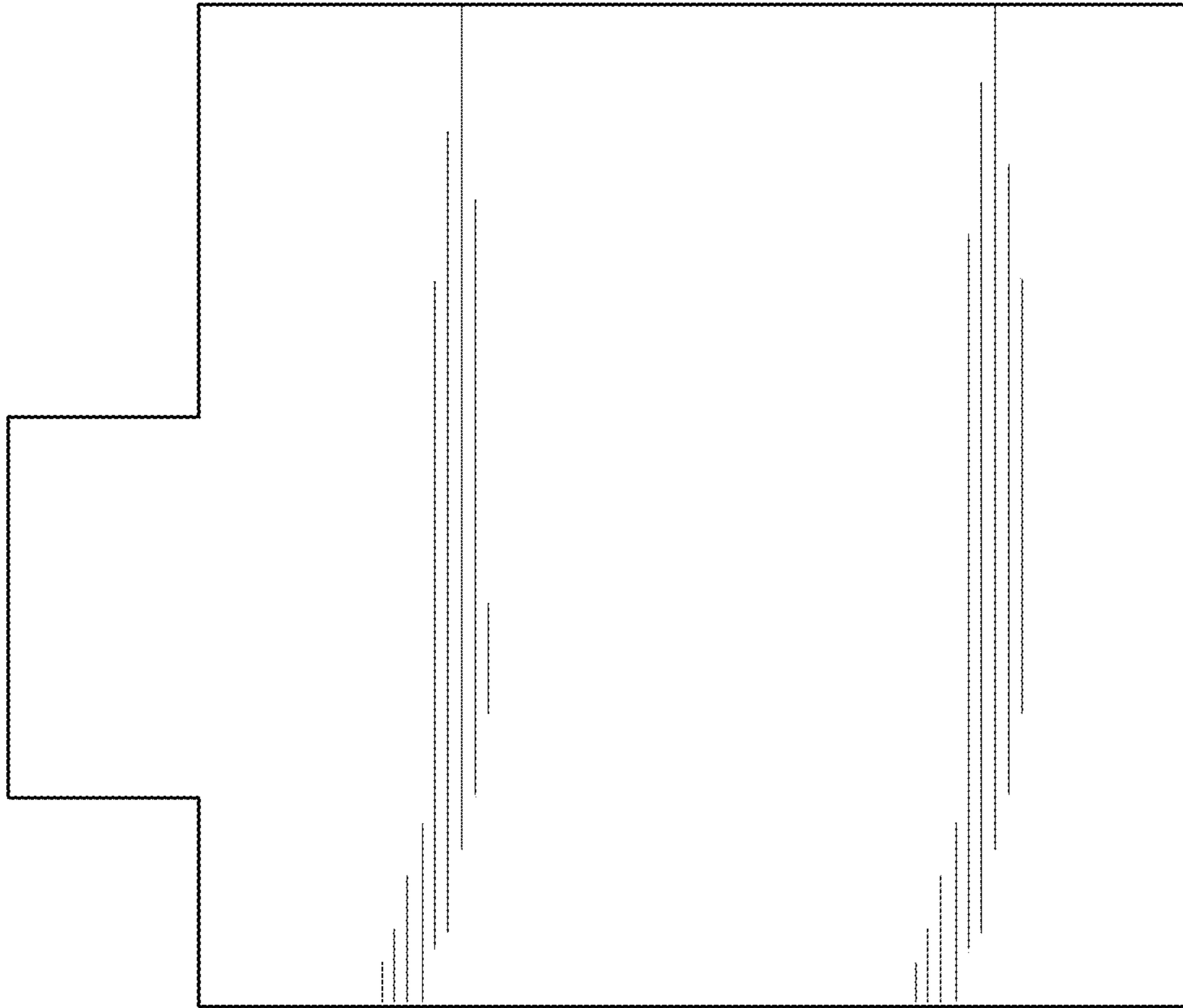


Fig. 6

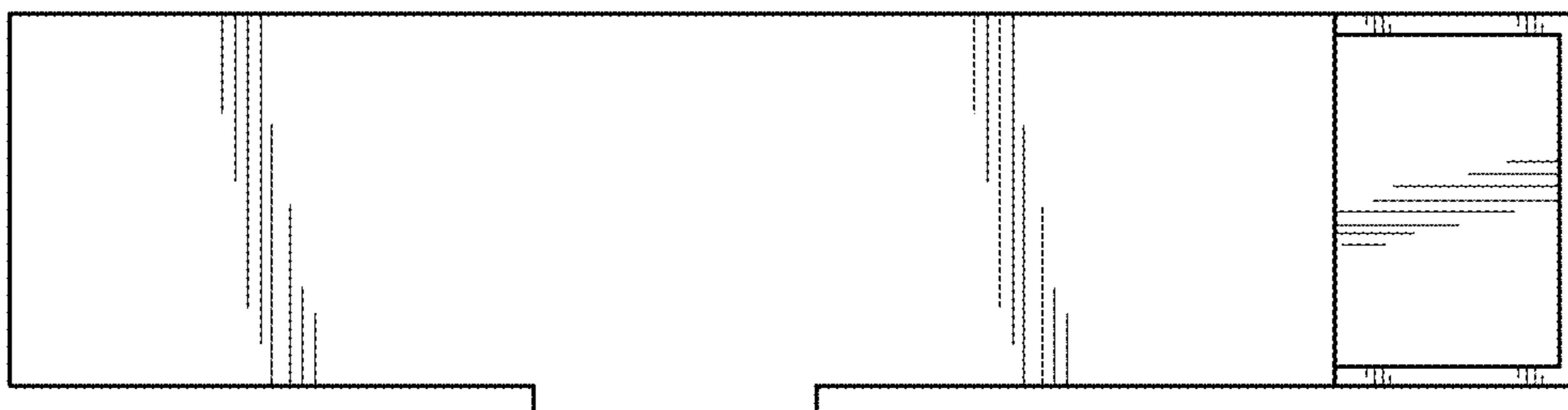


Fig. 7

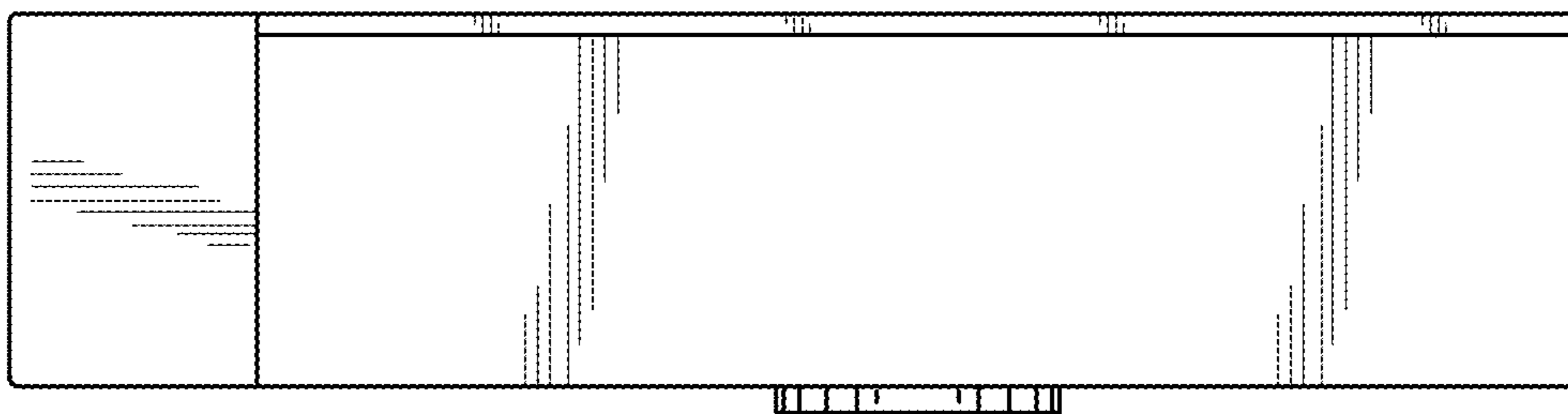


Fig. 8