



US00D982342S

(12) **United States Design Patent**
Li et al.

(10) **Patent No.:** **US D982,342 S**
(45) **Date of Patent:** **** Apr. 4, 2023**

(54) **LAP TABLE**

(71) Applicant: **SHENZHEN BESTQI INNOVATION TECHNOLOGY CO., LTD**, Shenzhen (CN)

(72) Inventors: **Yingpeng Li**, Shenzhen (CN); **Decui Kong**, Shenzhen (CN)

(73) Assignee: **SHENZHEN BESTQI INNOVATION TECHNOLOGY CO., LTD**, Shenzhen (CN)

(**) Term: **15 Years**

(21) Appl. No.: **29/820,660**

(22) Filed: **Dec. 23, 2021**

(51) **LOC (14) Cl.** **06-06**

(52) **U.S. Cl.**
USPC **D6/406.5**

(58) **Field of Classification Search**
USPC D6/406.1, 406.3, 406.5, 406.6, 512, D6/685-686, 691, 704, 705; D7/550.1, D7/552.2, 554.3, 555

CPC A47G 23/06; A47G 23/08; A47G 29/0608; A47B 19/08; A47B 23/00; A47B 23/001

See application file for complete search history.

(56) **References Cited**

U.S. PATENT DOCUMENTS

5,425,455	A *	6/1995	Miller	A47G 23/0608
					206/562
D418,327	S *	1/2000	Sullins	D6/406.3
6,036,158	A *	3/2000	Raasch	B60N 3/005
					248/441.1
D512,245	S *	12/2005	Bean	D6/406.3
D575,077	S *	8/2008	Kessels	D7/552.2
D588,830	S *	3/2009	Chochinov	D6/406.3
D609,027	S *	2/2010	Jennings	D6/406.5

D619,823	S *	7/2010	Jennings	D6/406.3
D679,921	S	4/2013	Kiechler		
D843,752	S *	3/2019	Sullins	D6/406.5
D853,147	S *	7/2019	Chen	D6/406.5
D874,844	S *	2/2020	Mischler	D6/406.5
D887,166	S *	6/2020	Ren	D6/406.5
D906,719	S *	1/2021	Sullins	D6/406.5
D911,061	S *	2/2021	Sullins	D6/406.5
D912,432	S *	3/2021	Sullins	D6/406.3
D913,720	S *	3/2021	Zhang	D6/406.6
D914,393	S *	3/2021	Xie	D6/406.6
D917,914	S *	5/2021	Deng	D6/406.5
D922,090	S *	6/2021	Zhang	D6/406.6
D944,554	S *	3/2022	Zhang	D6/406.5
D944,555	S *	3/2022	Zhang	D6/406.5
D946,303	S *	3/2022	Sullins	D6/406.5
2006/0237026	A1 *	10/2006	Simester	A24C 5/44
					131/329
2013/0298926	A1 *	11/2013	Smeragliuolo	A45D 29/20
					132/75

* cited by examiner

Primary Examiner — Kelley A Donnelly

(57) **CLAIM**

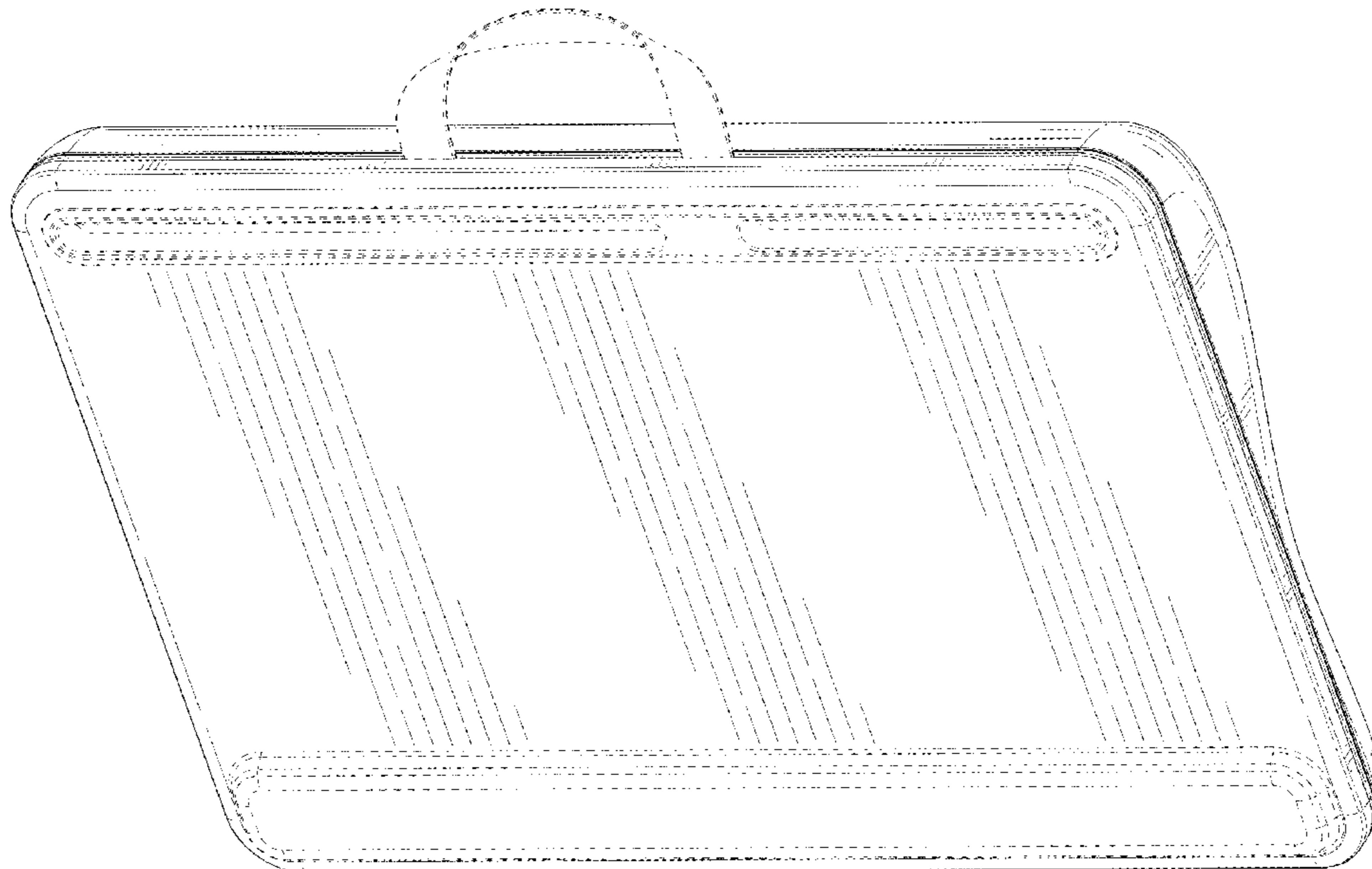
The ornamental design for a lap table, as shown and described.

DESCRIPTION

FIG. 1 is a perspective view of a lap table showing our new design;
 FIG. 2 is another perspective view thereof;
 FIG. 3 is a front elevational view thereof;
 FIG. 4 is a rear elevational view thereof;
 FIG. 5 is a left side elevational view thereof;
 FIG. 6 is a right side elevational view thereof;
 FIG. 7 is a top plan view thereof; and,
 FIG. 8 is a bottom plan view thereof.

The broken lines in the drawings depict portions of the lap table that form no part of the claimed design.

1 Claim, 8 Drawing Sheets



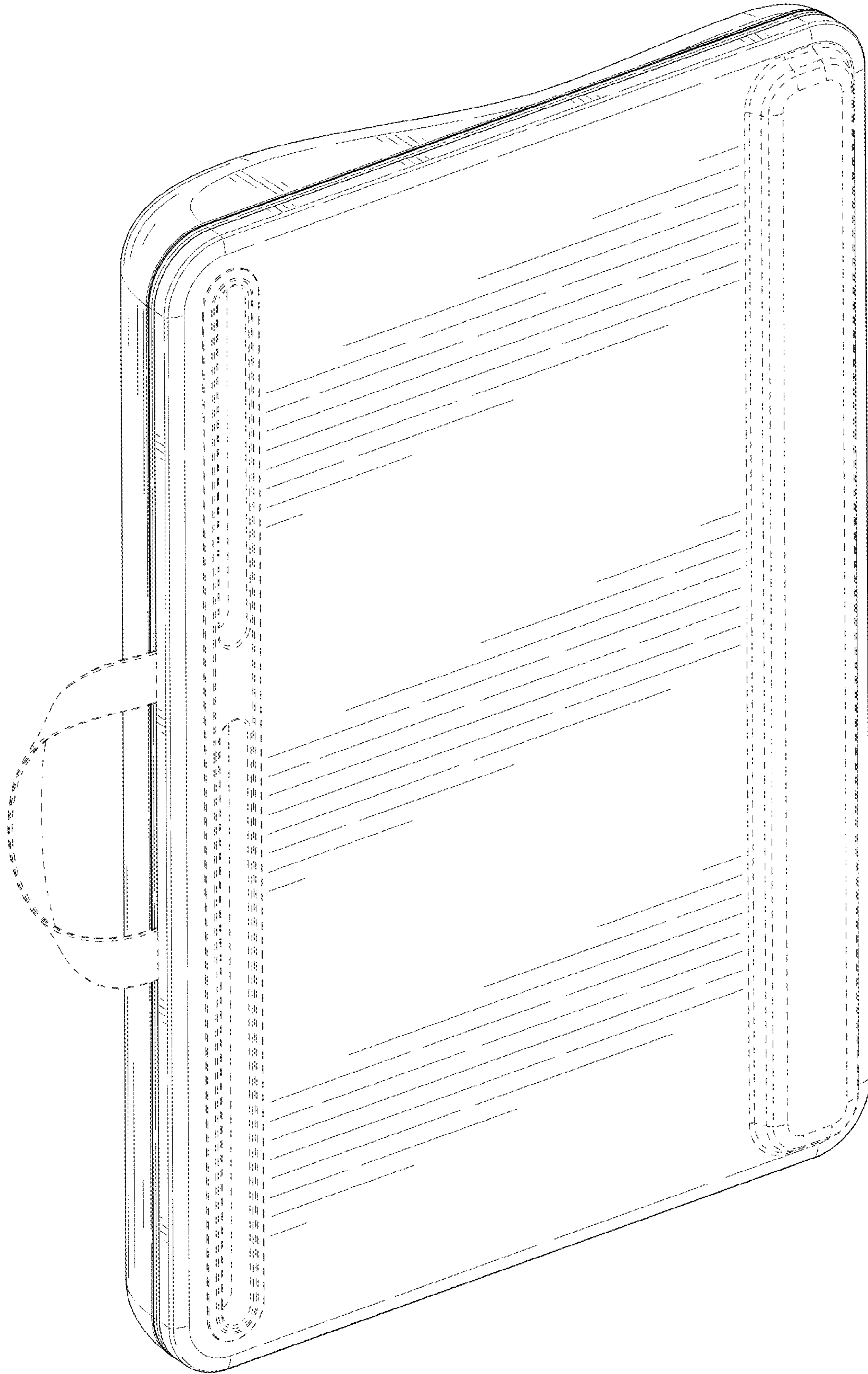


FIG. 1

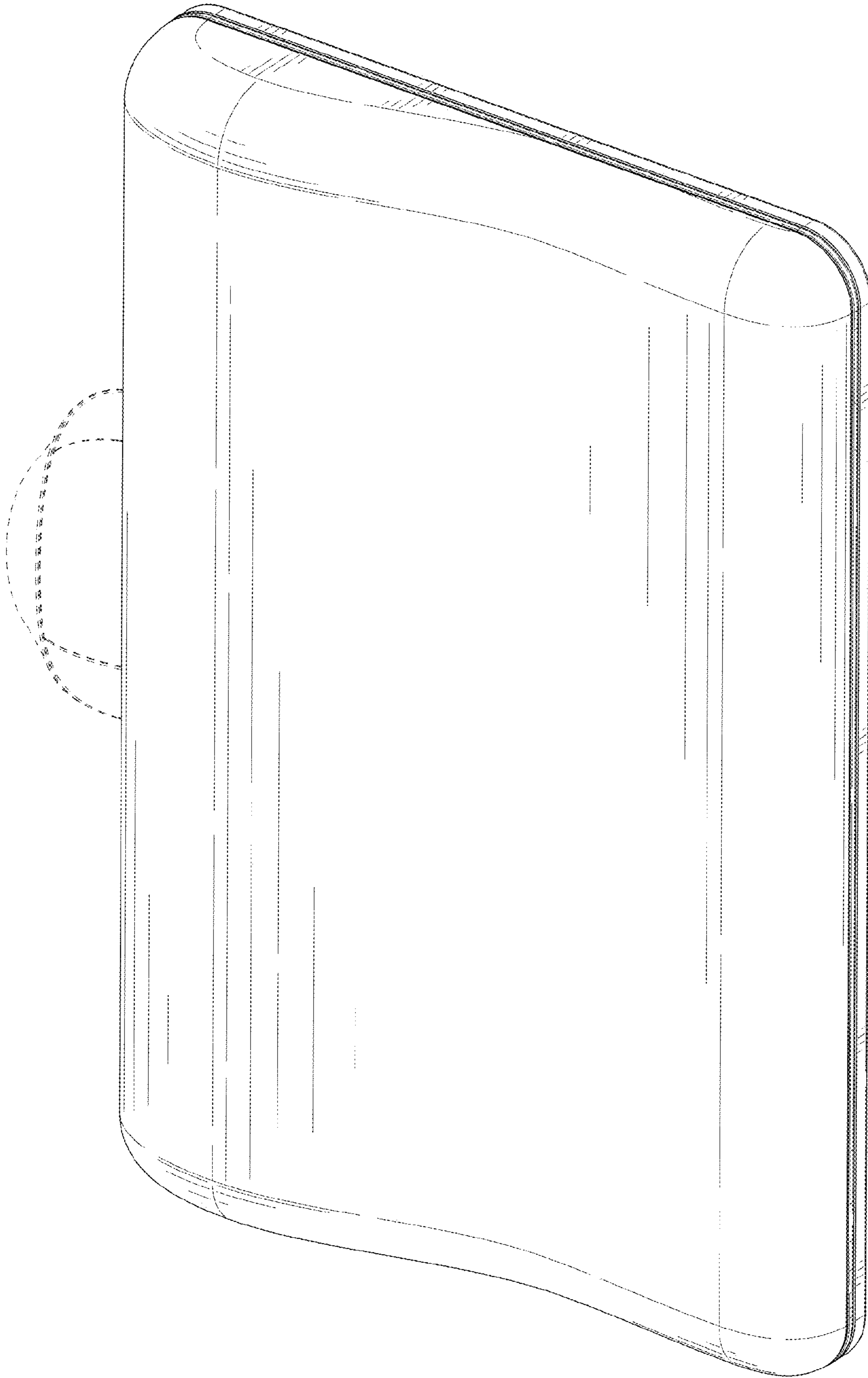


FIG. 2

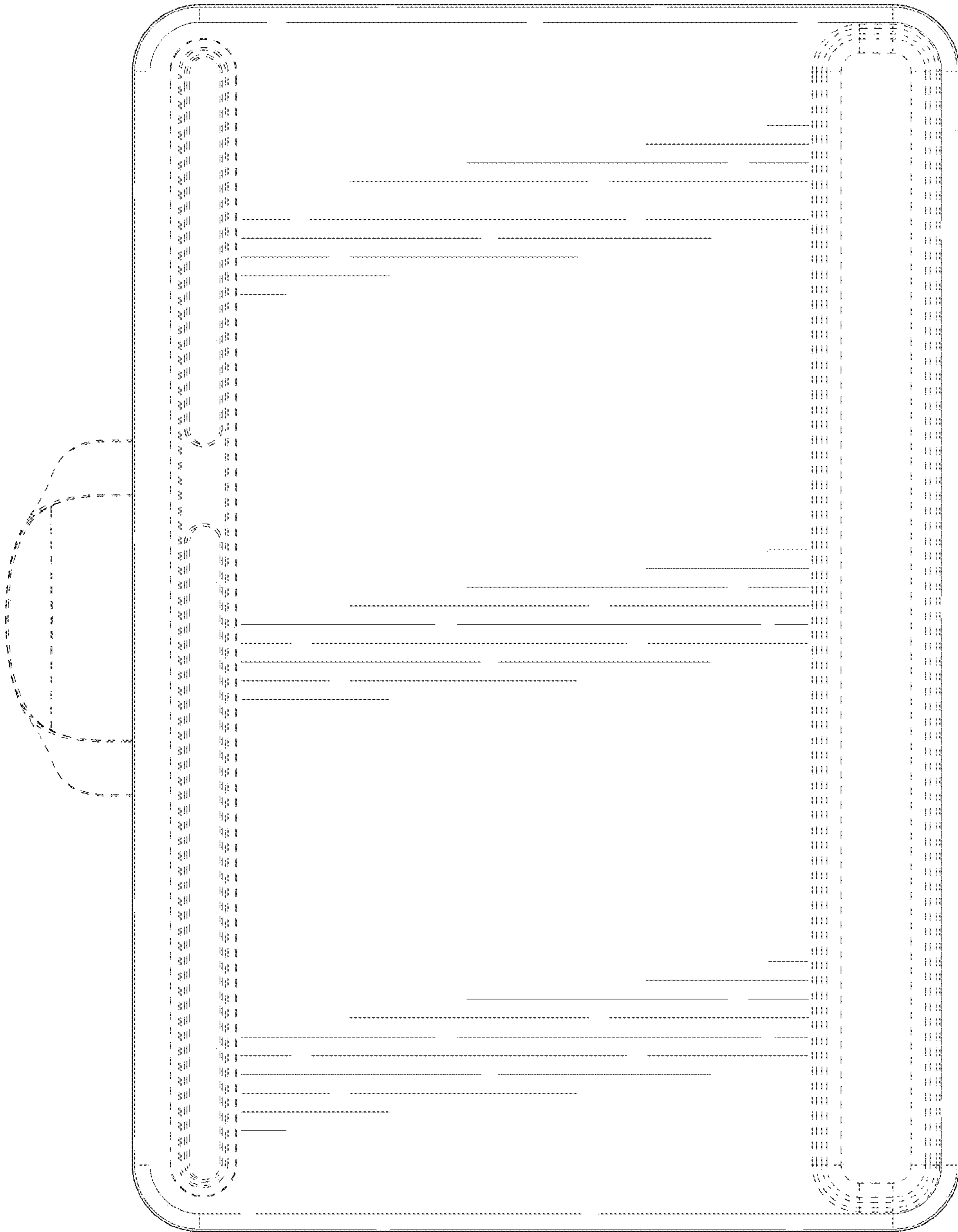


FIG. 3

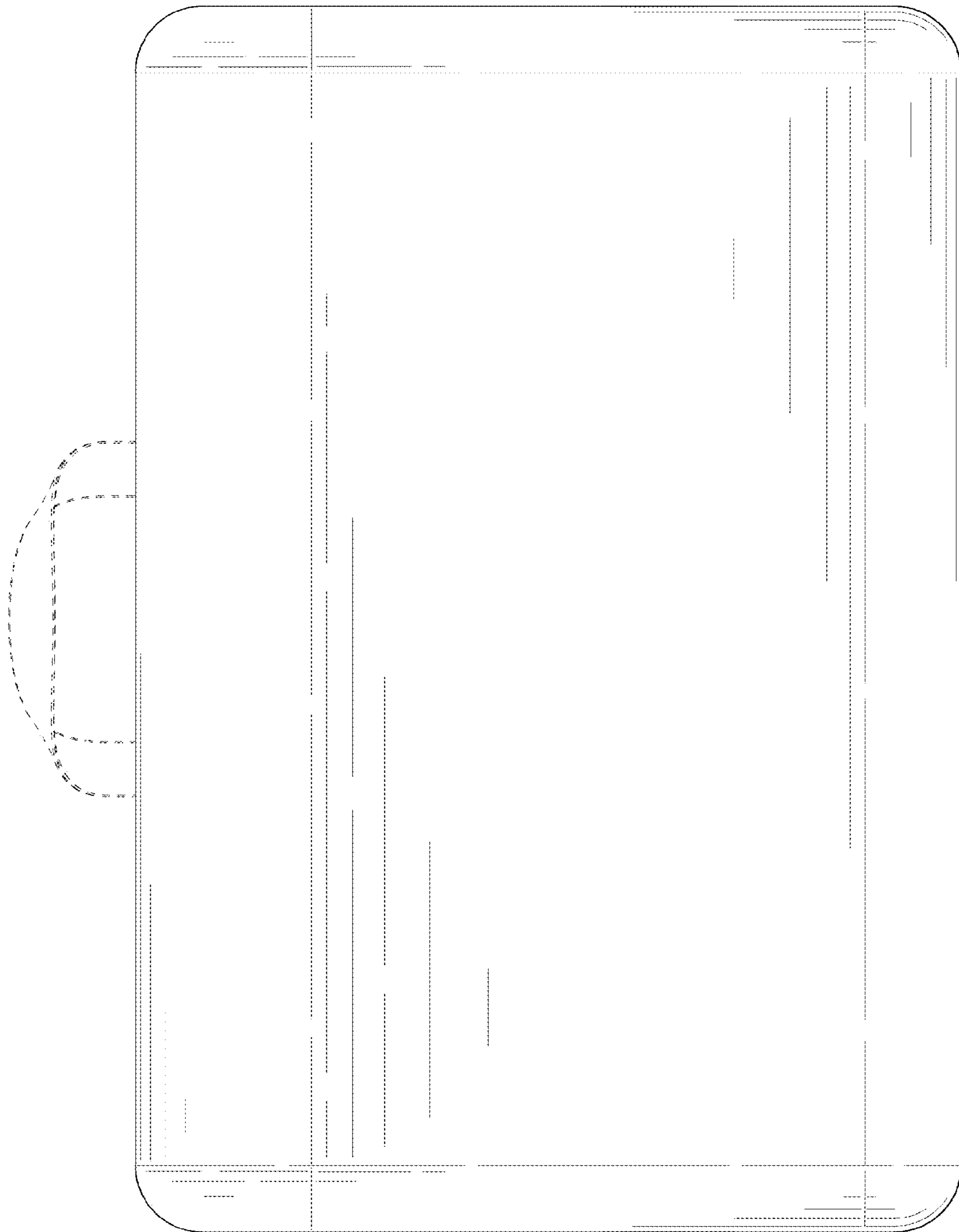


FIG. 4

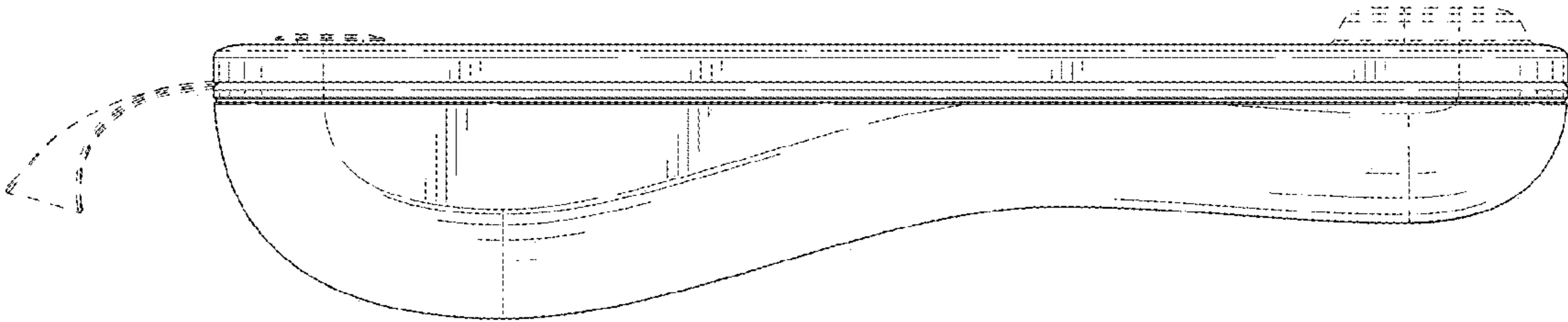


FIG. 5

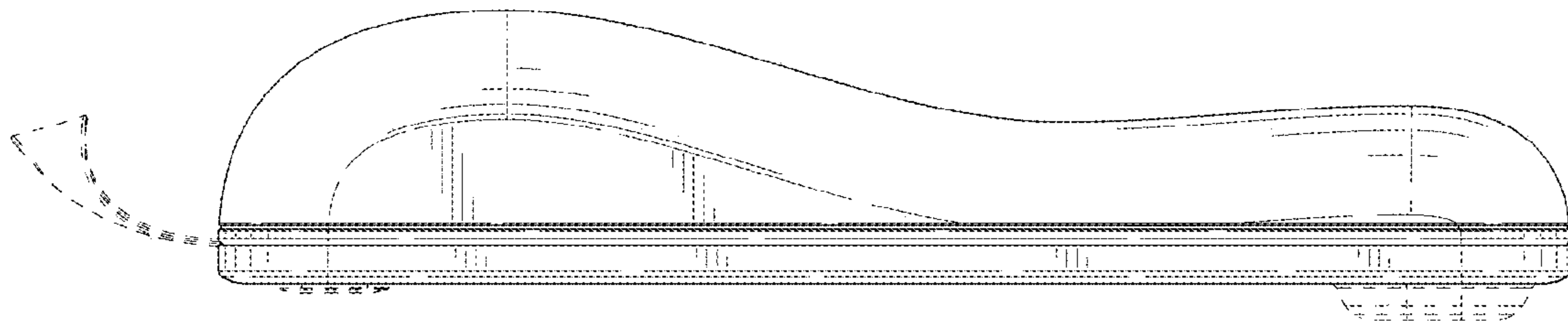


FIG. 6

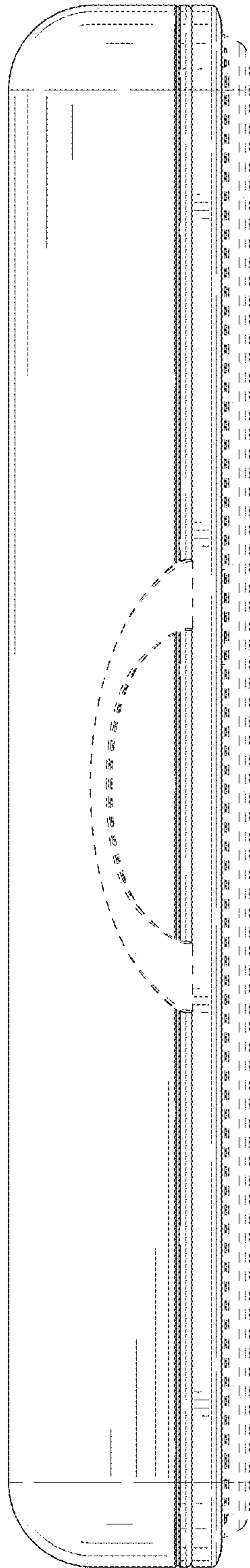


FIG. 7

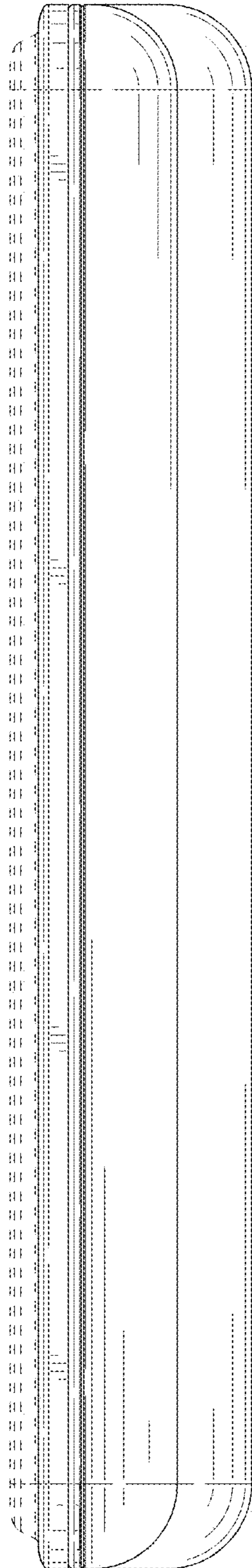


FIG. 8