



US00D982337S

(12) **United States Design Patent**
Feng

(10) **Patent No.:** **US D982,337 S**

(45) **Date of Patent:** **** Apr. 4, 2023**

(54) **SWIVEL CHAIR**

(71) Applicant: **Hangzhou Points And Lines Technology Co., Ltd.**, Hangzhou (CN)

(72) Inventor: **Xiaowei Feng**, Hangzhou (CN)

(73) Assignee: **Hangzhou Points and Lines Technology Co., Ltd.**, Hangzhou (CN)

(**) Term: **15 Years**

(21) Appl. No.: **29/745,443**

(22) Filed: **Aug. 6, 2020**

(30) **Foreign Application Priority Data**

Jun. 24, 2020 (CN) 202030330065.9

(51) **LOC (14) Cl.** **06-01**

(52) **U.S. Cl.**
USPC **D6/366**

(58) **Field of Classification Search**
USPC D6/334-336, 364, 365, 366, 367, 374,
D6/379, 716, 716.1, 716.2, 716.3, 716.4
CPC A47C 7/004; A47C 7/006; A47C 7/18;
A47C 7/24; A47C 7/40; A47C 7/46;
A47C 7/462; A47C 7/54; A47C 7/541
See application file for complete search history.

(56) **References Cited**

U.S. PATENT DOCUMENTS

D507,437 S * 7/2005 Klaasen D6/716
D641,983 S * 7/2011 Hazzard D6/366

D750,911 S * 3/2016 Su D6/366
D763,587 S * 8/2016 Neil D6/366
D774,320 S * 12/2016 Hsiao D6/366
D904,059 S * 12/2020 Tong D6/366
D909,084 S * 2/2021 Dai D6/366
D915,783 S * 4/2021 Tong D6/366
D949,585 S * 4/2022 Cai D6/366

* cited by examiner

Primary Examiner — Mimososa De

(74) *Attorney, Agent, or Firm* — Bayramoglu Law Offices LLC

(57) **CLAIM**

The ornamental design for a swivel chair, as shown and described.

DESCRIPTION

FIG. 1 is a front perspective view of a swivel chair showing my new design;
FIG. 2 is a front view thereof;
FIG. 3 is a rear view thereof;
FIG. 4 is a left side view thereof;
FIG. 5 is a right side view thereof;
FIG. 6 is a top view thereof; and,
FIG. 7 is a bottom view thereof.
The broken lines depict portions of the swivel chair that form no part of the claimed design.

1 Claim, 7 Drawing Sheets

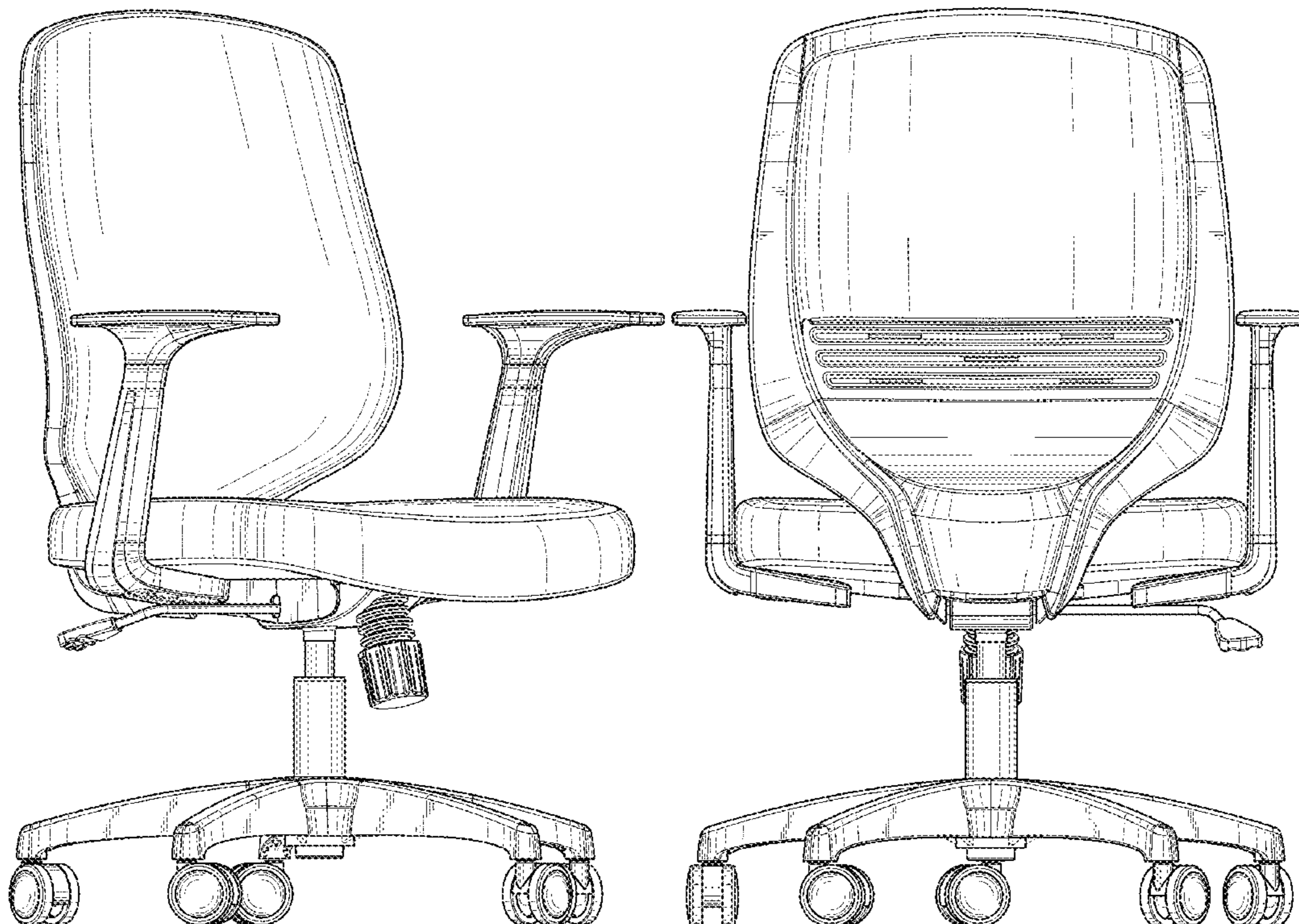




Fig. 1

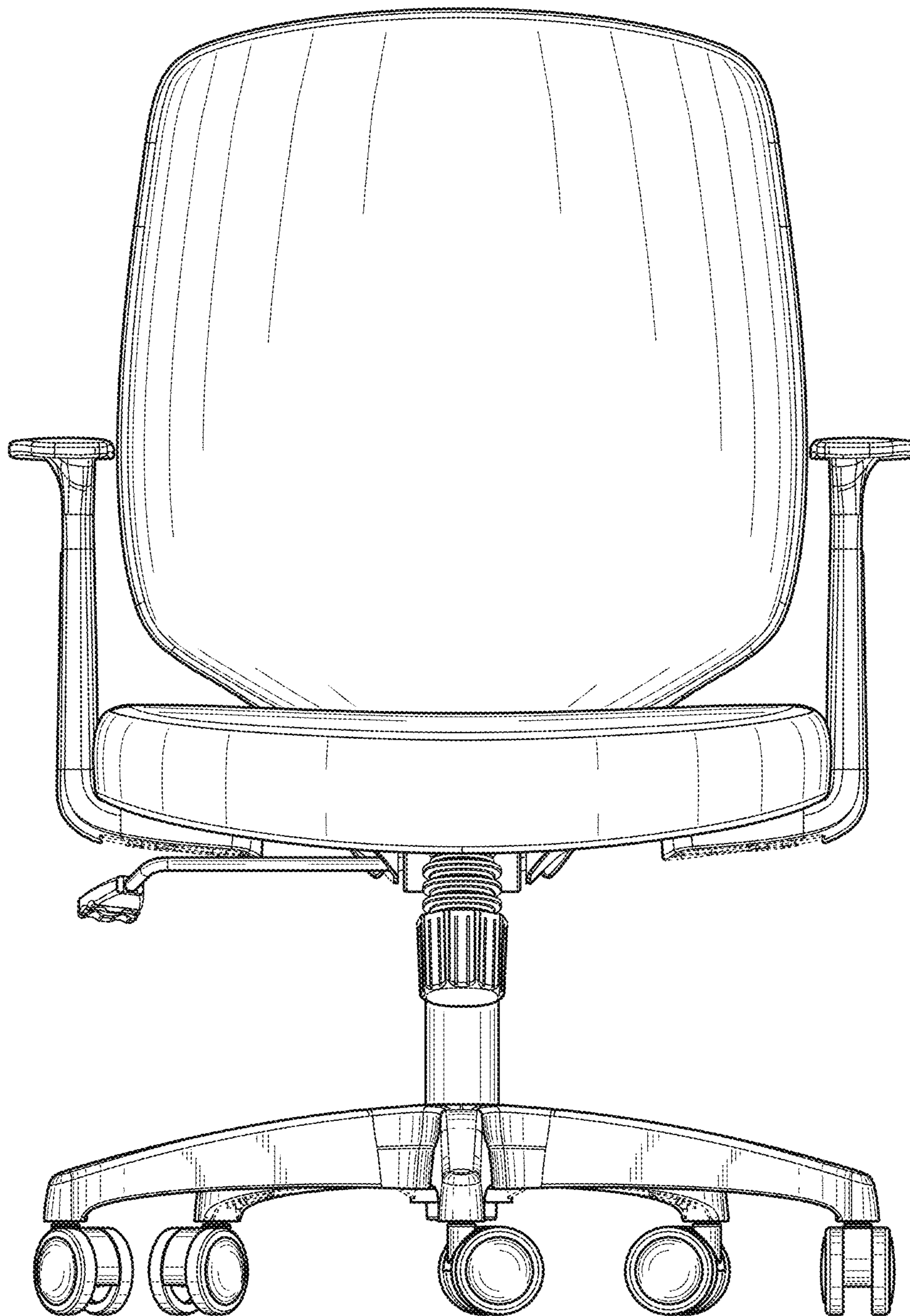


Fig. 2

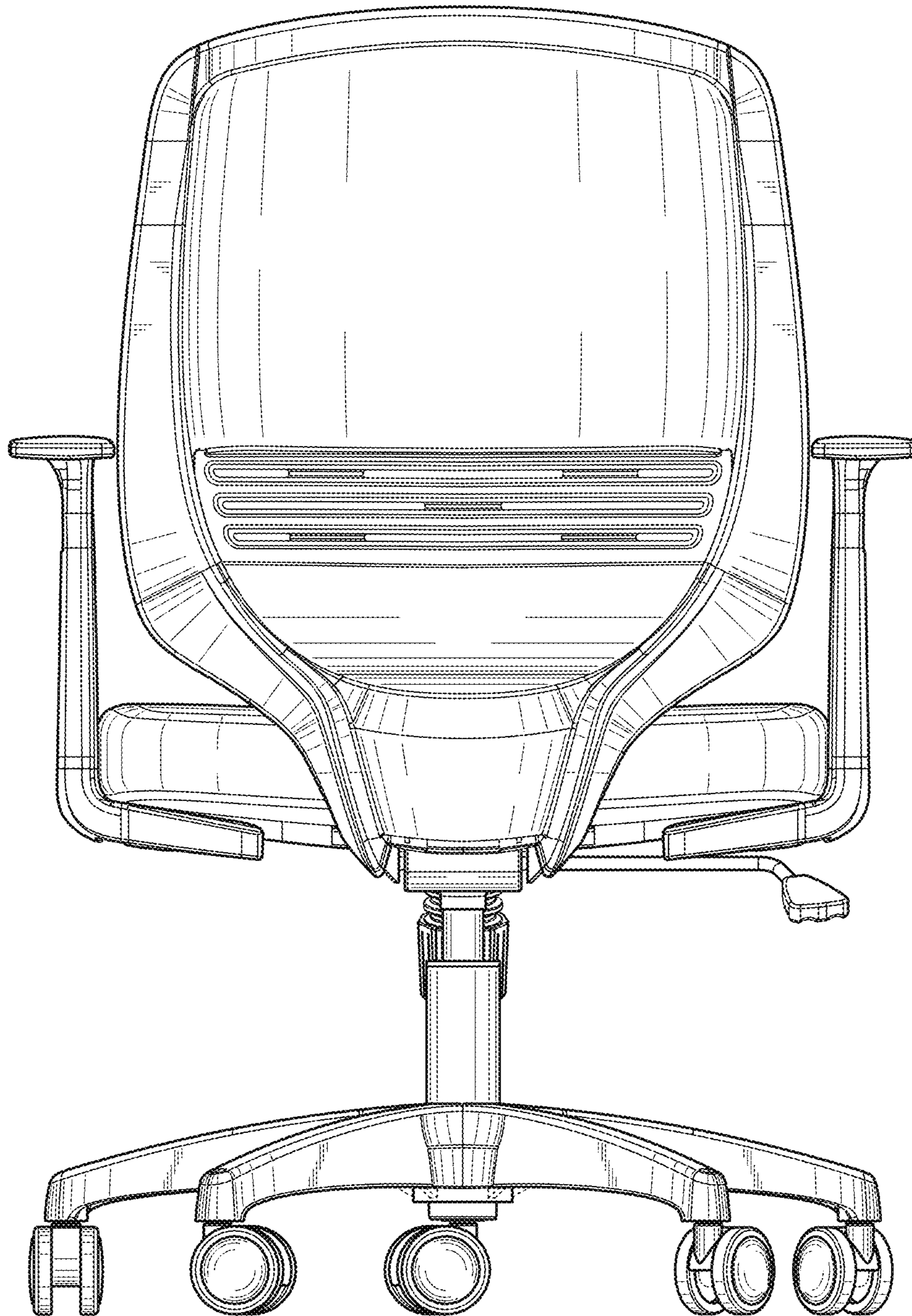


Fig. 3

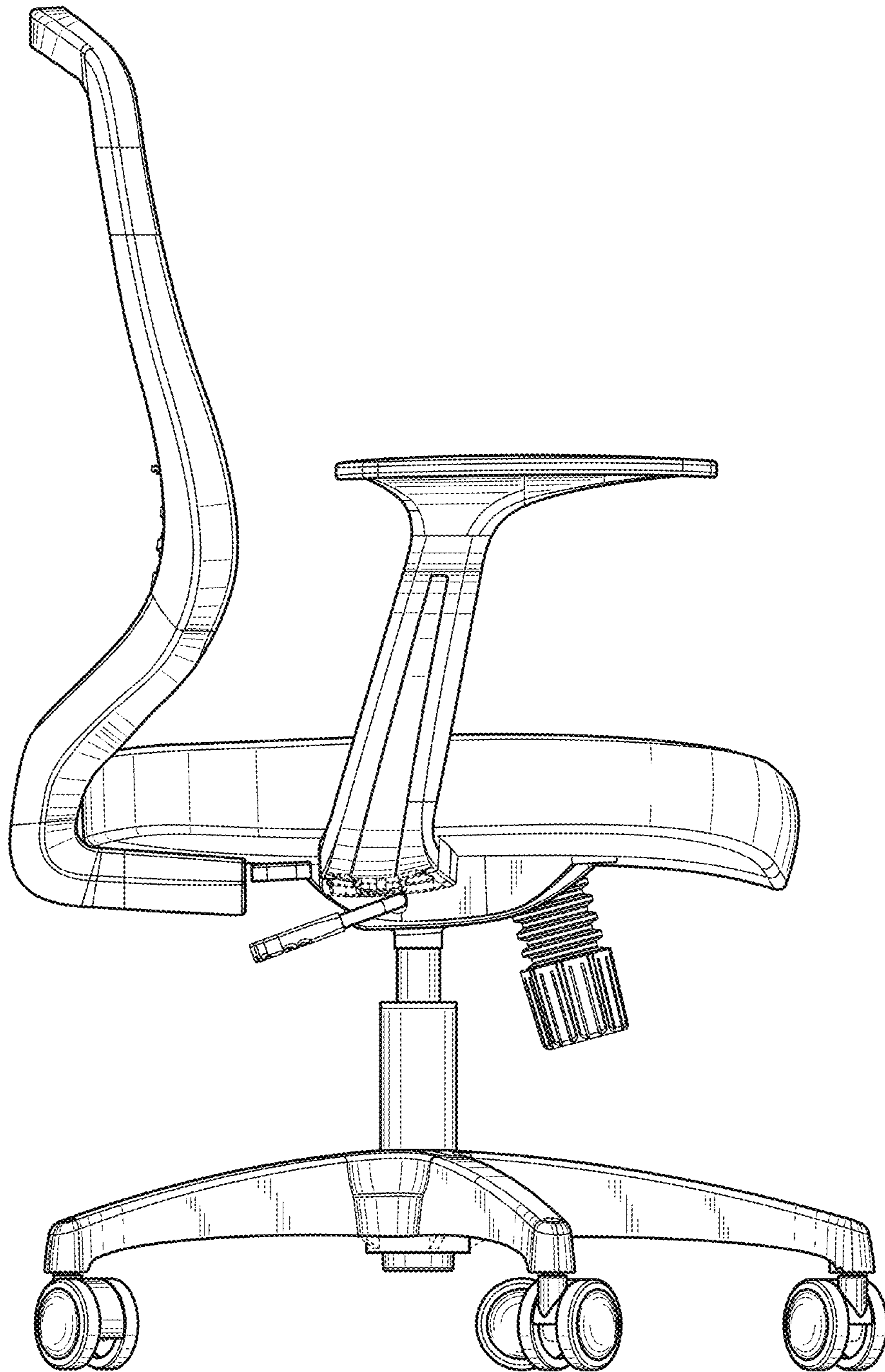


Fig. 4

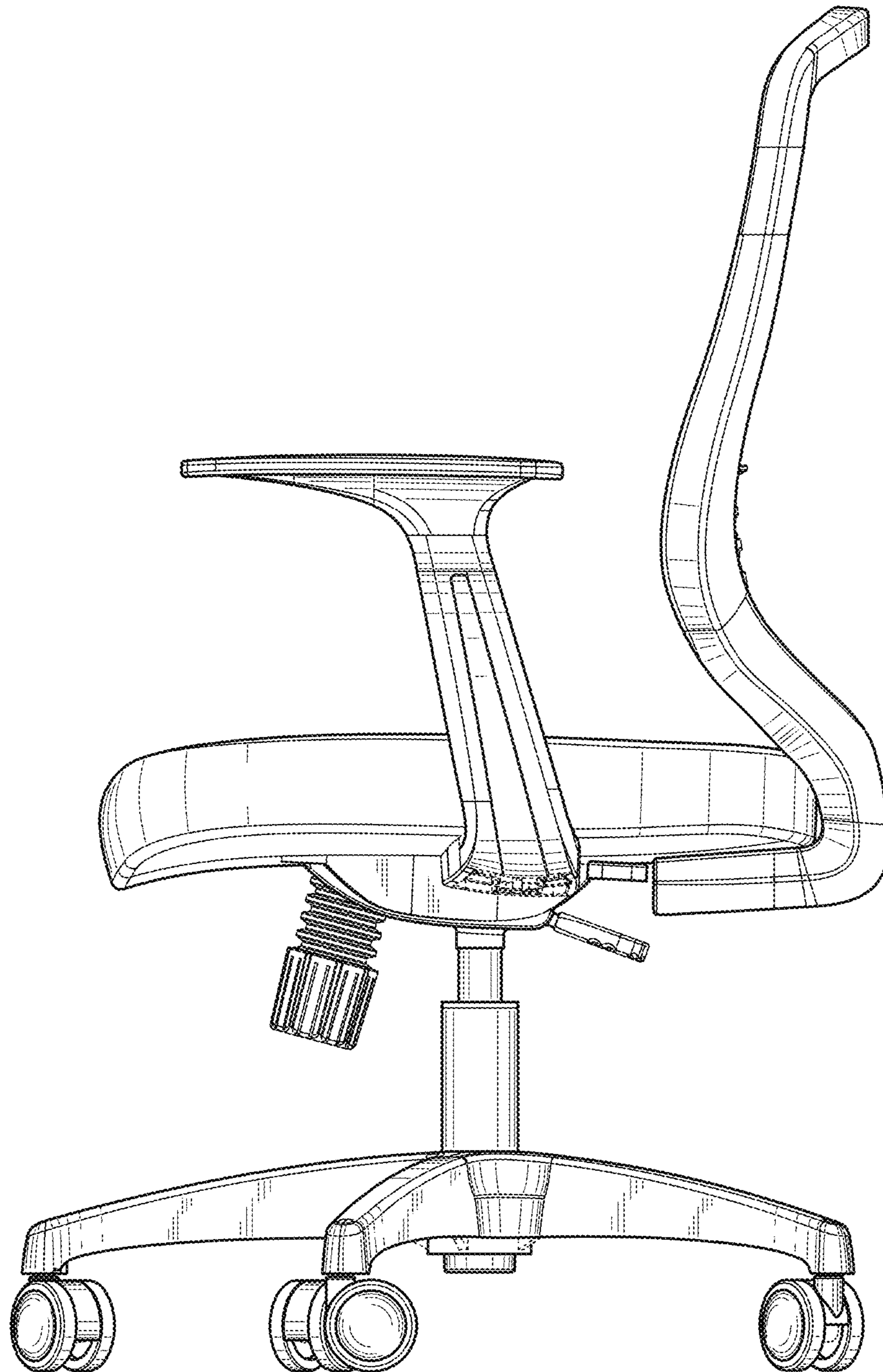


Fig. 5

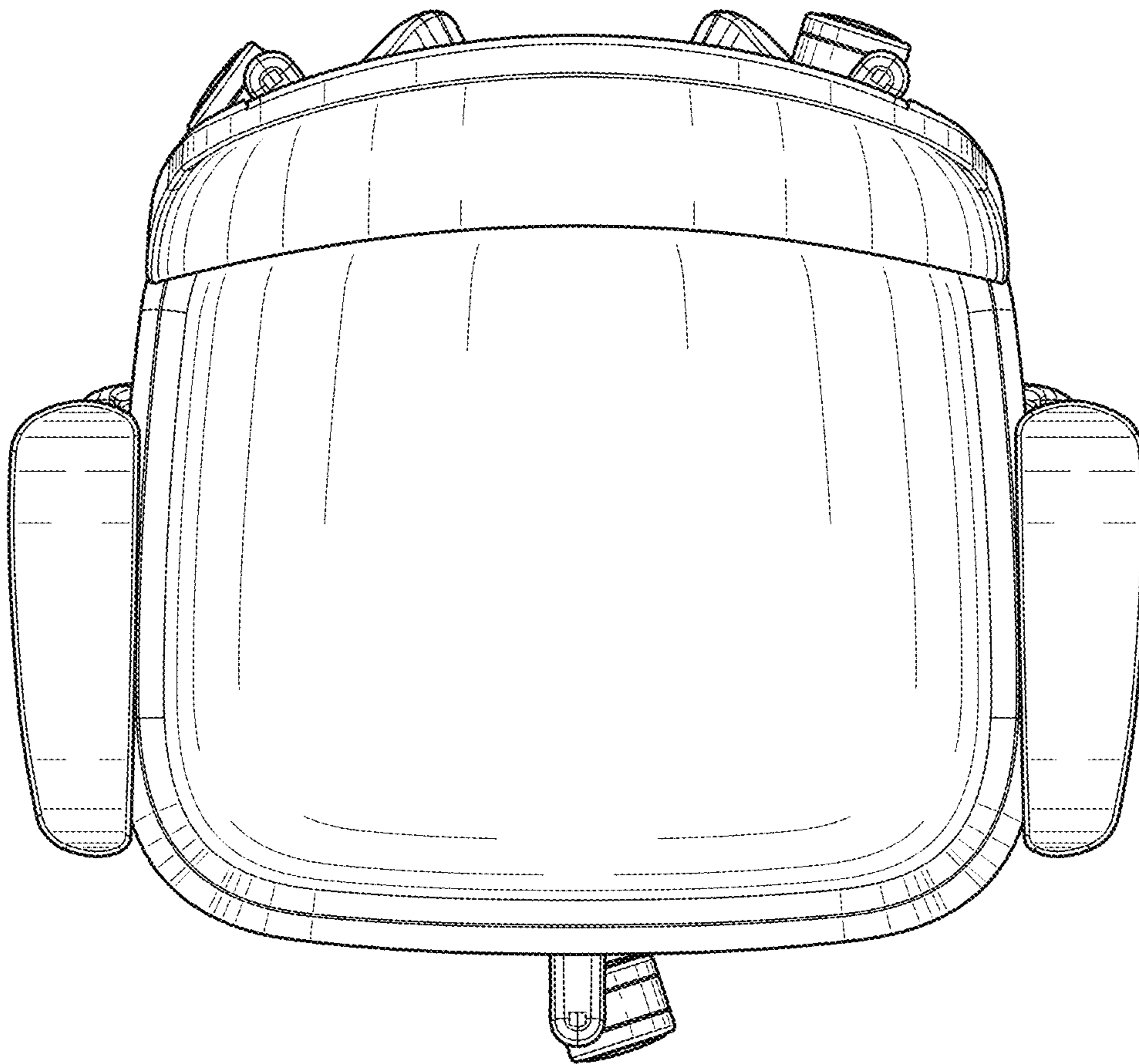


Fig. 6

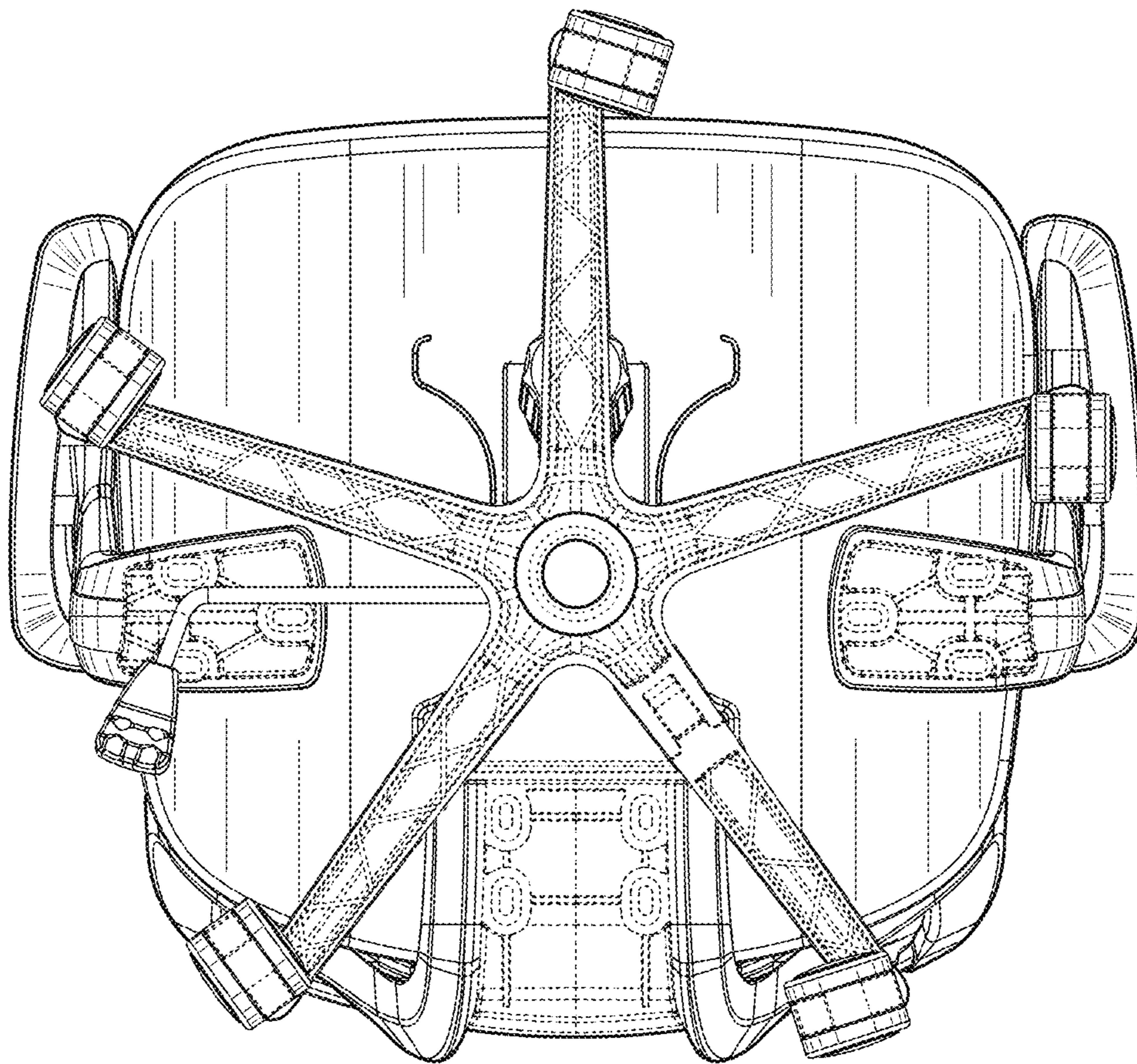


Fig. 7