



US00D982328S

(12) **United States Design Patent**  
**Liu**

(10) **Patent No.:** **US D982,328 S**  
(45) **Date of Patent:** **\*\* Apr. 4, 2023**

(54) **MIRROR**

D891,790 S \* 8/2020 Liu ..... D6/312  
D959,853 S 8/2022 Xu  
D961,944 S 8/2022 Shen

(71) Applicant: **SHENZHEN SMILE TECHNOLOGY CO., LTD.**, Shenzhen (CN)

**FOREIGN PATENT DOCUMENTS**

(72) Inventor: **Jinfeng Liu**, Lianjiang (CN)

CN 307572834 \* 9/2022

\* cited by examiner

(73) Assignee: **SHENZHEN SMILE TECHNOLOGY CO., LTD.**, Shenzhen (CN)

*Primary Examiner* — Deanna L Pratt

(\*\*) Term: **15 Years**

(57) **CLAIM**

The ornamental design for a mirror, as shown and described.

(21) Appl. No.: **29/855,947**

**DESCRIPTION**

(22) Filed: **Oct. 9, 2022**

(51) **LOC (14) Cl.** ..... **28-03**

(52) **U.S. Cl.**  
USPC ..... **D6/312**

(58) **Field of Classification Search**  
USPC ..... D6/300, 301, 302, 308, 309, 310, 311, D6/312, 313; D28/64.1, 64.3, 64.6, 64.7, D28/78, 82, 79, 84; D14/252, 253  
CPC .. A47G 1/00; A47G 2001/002; F21V 33/004; A45D 42/10  
See application file for complete search history.

FIG. 1 is a perspective view of a mirror showing my new design shown in a first configuration of use; FIG. 2 is another perspective view thereof; FIG. 3 is a front elevational view thereof; FIG. 4 is a rear elevational view thereof; FIG. 5 is a left side elevational view thereof; FIG. 6 is a right side elevational view thereof; FIG. 7 is a top plan view thereof; FIG. 8 is a bottom plan view thereof; FIG. 9 is a perspective view of the mirror where the mirror is in a second configuration of use; FIG. 10 is a perspective view of the mirror where the mirror is in a third configuration of use; and, FIG. 11 is a perspective view of the mirror where the mirror is in a folded state.

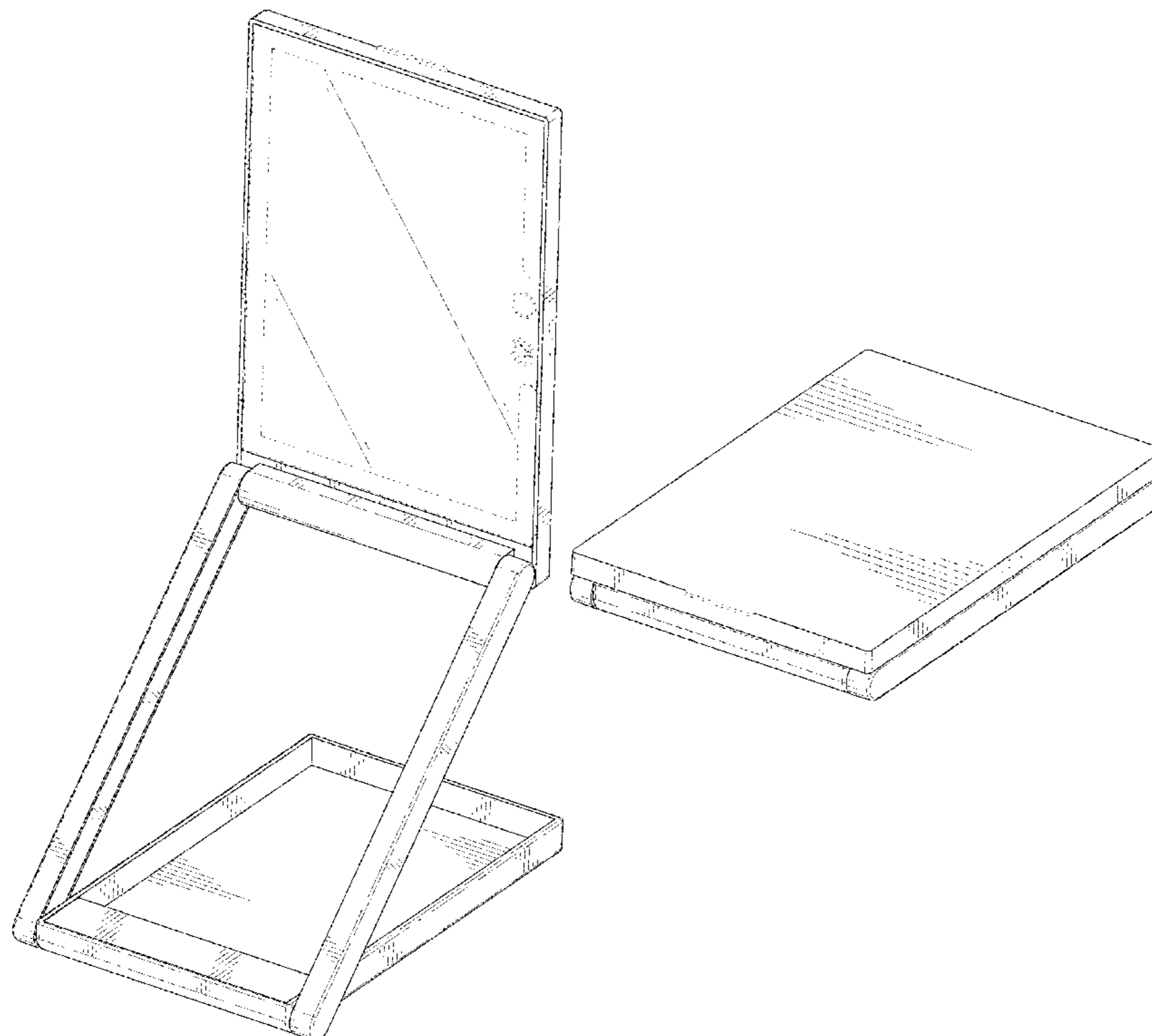
The broken lines in the drawings depict portions of the mirror that form no part of the claimed design.

(56) **References Cited**

**U.S. PATENT DOCUMENTS**

D483,575 S \* 12/2003 Chan ..... D6/310  
D506,319 S \* 6/2005 Chan ..... D6/310  
D546,564 S \* 7/2007 Lo ..... D6/300

**1 Claim, 11 Drawing Sheets**



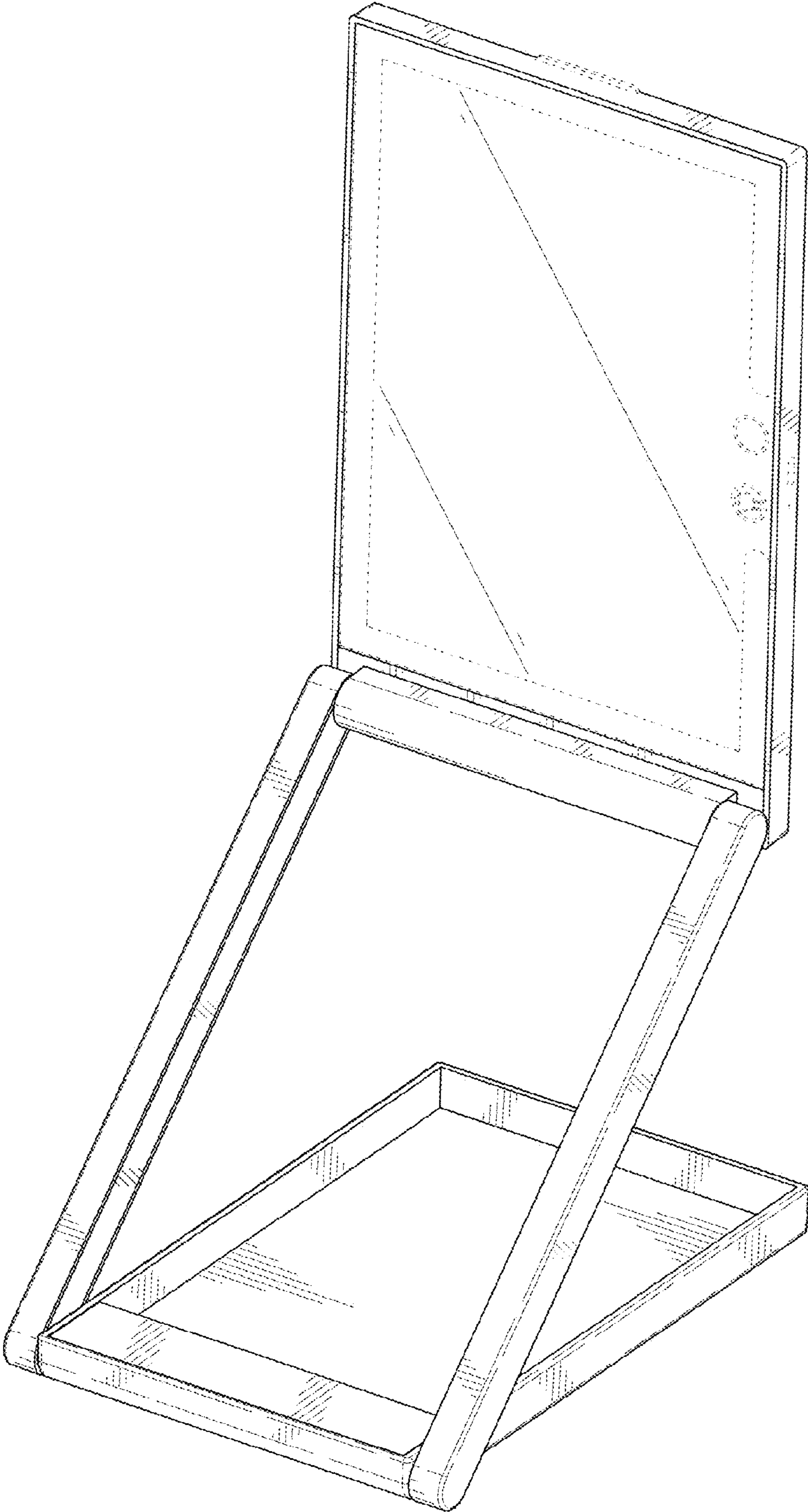


FIG. 1

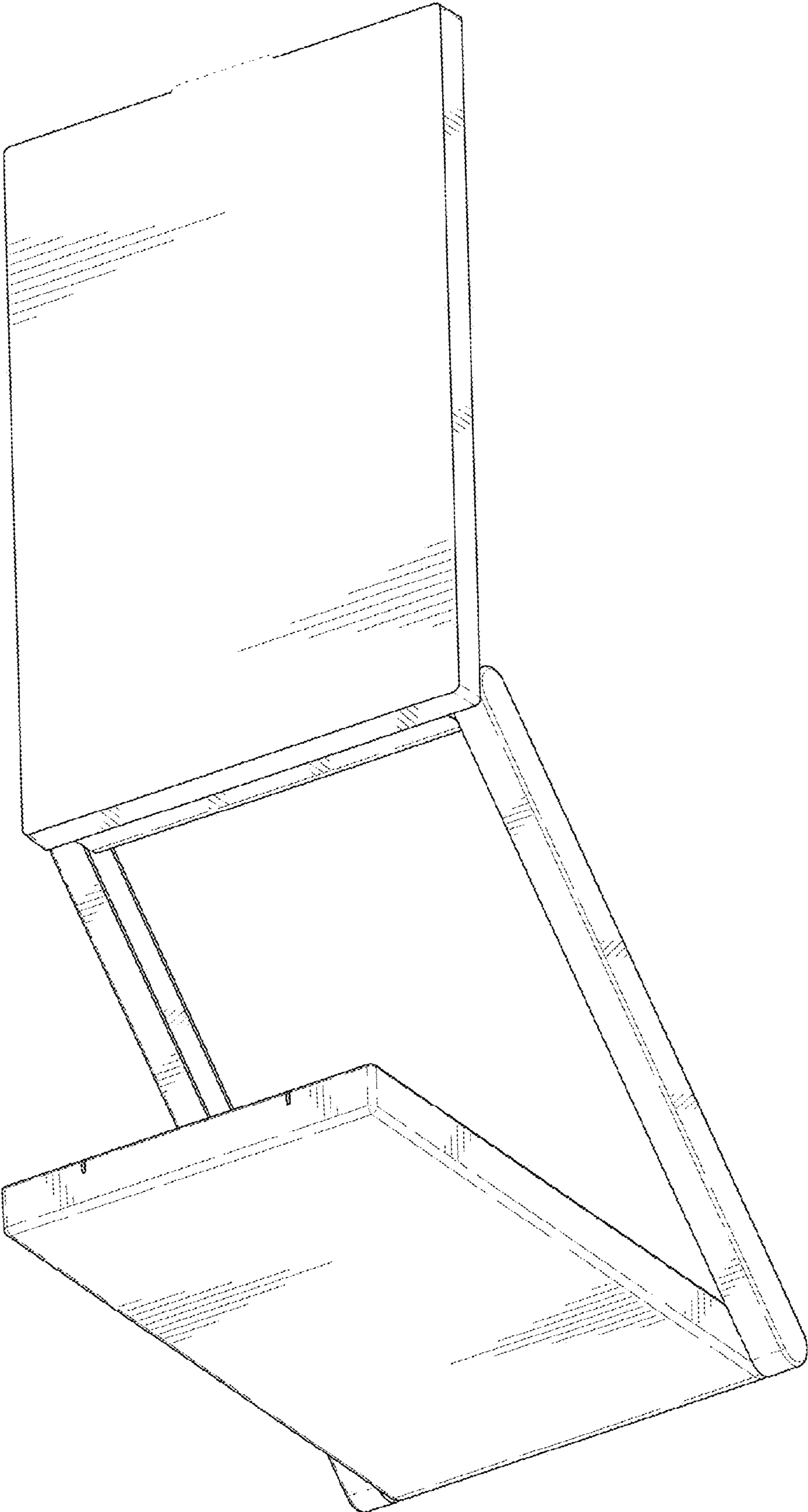


FIG. 2

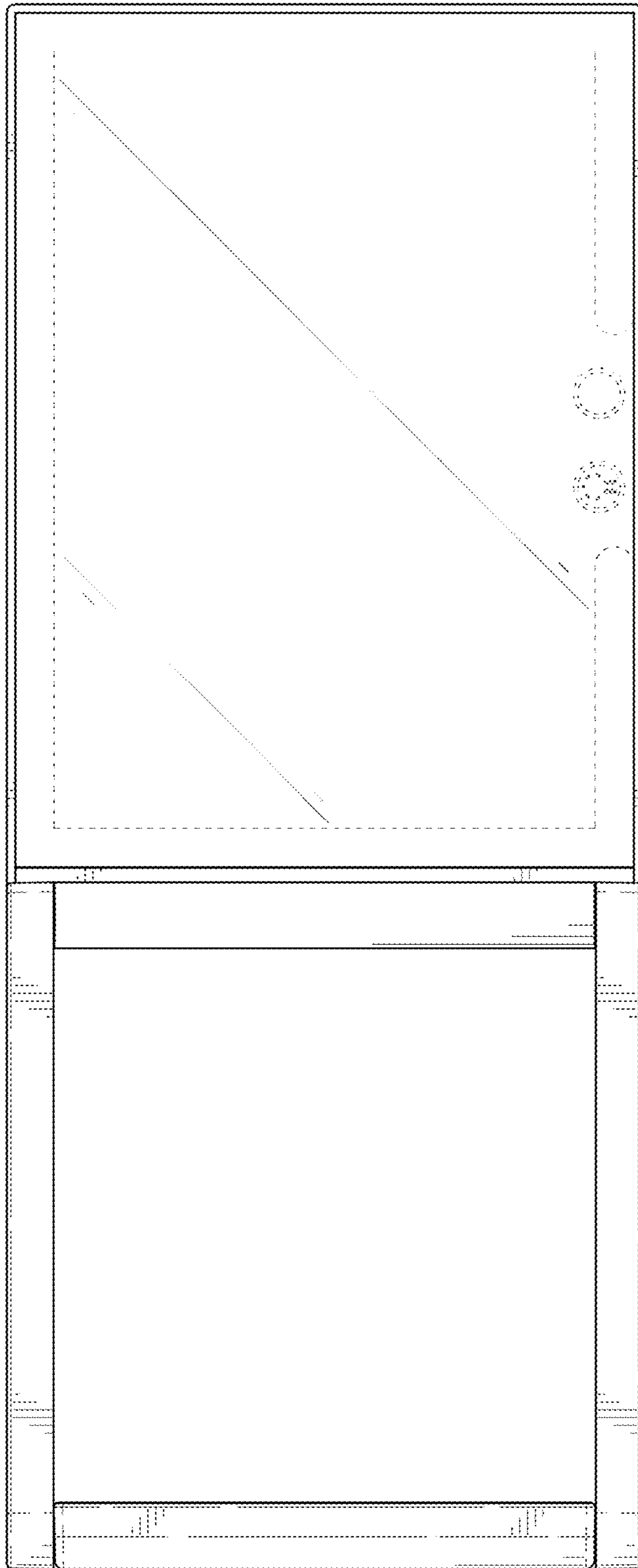


FIG. 3

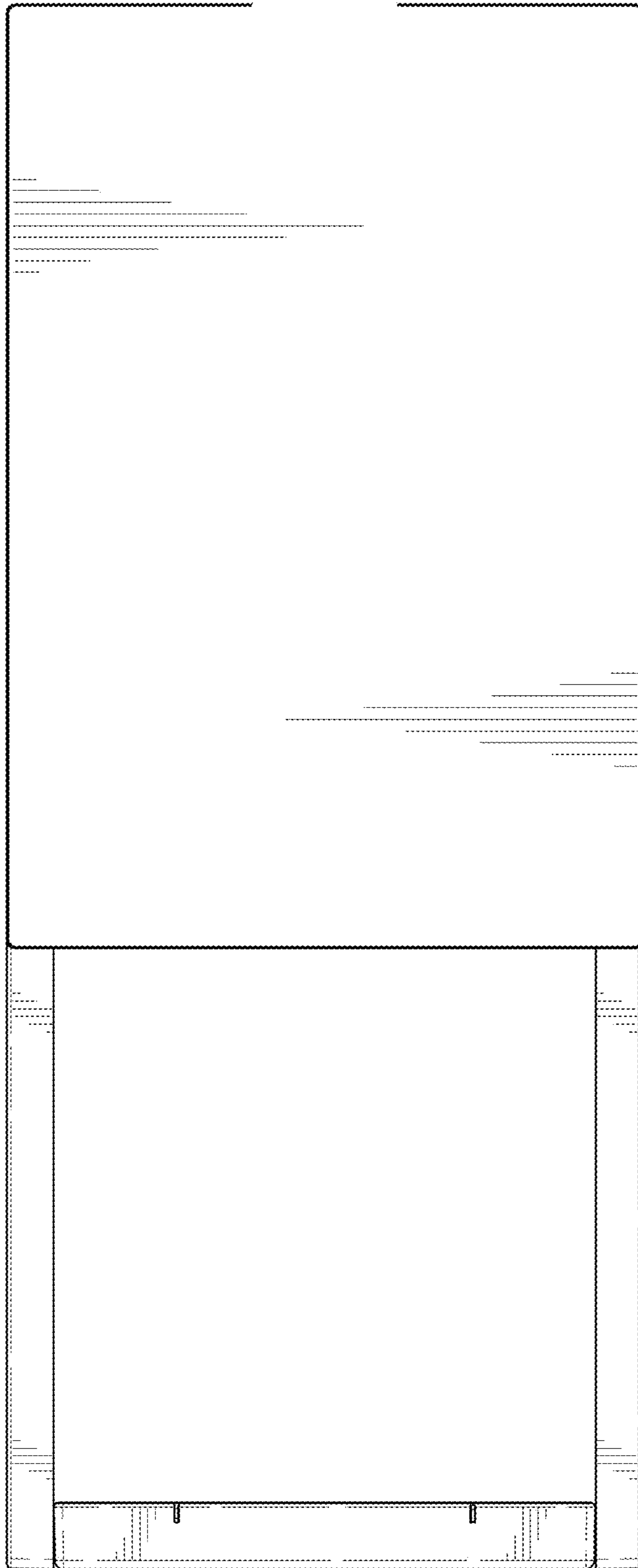


FIG. 4

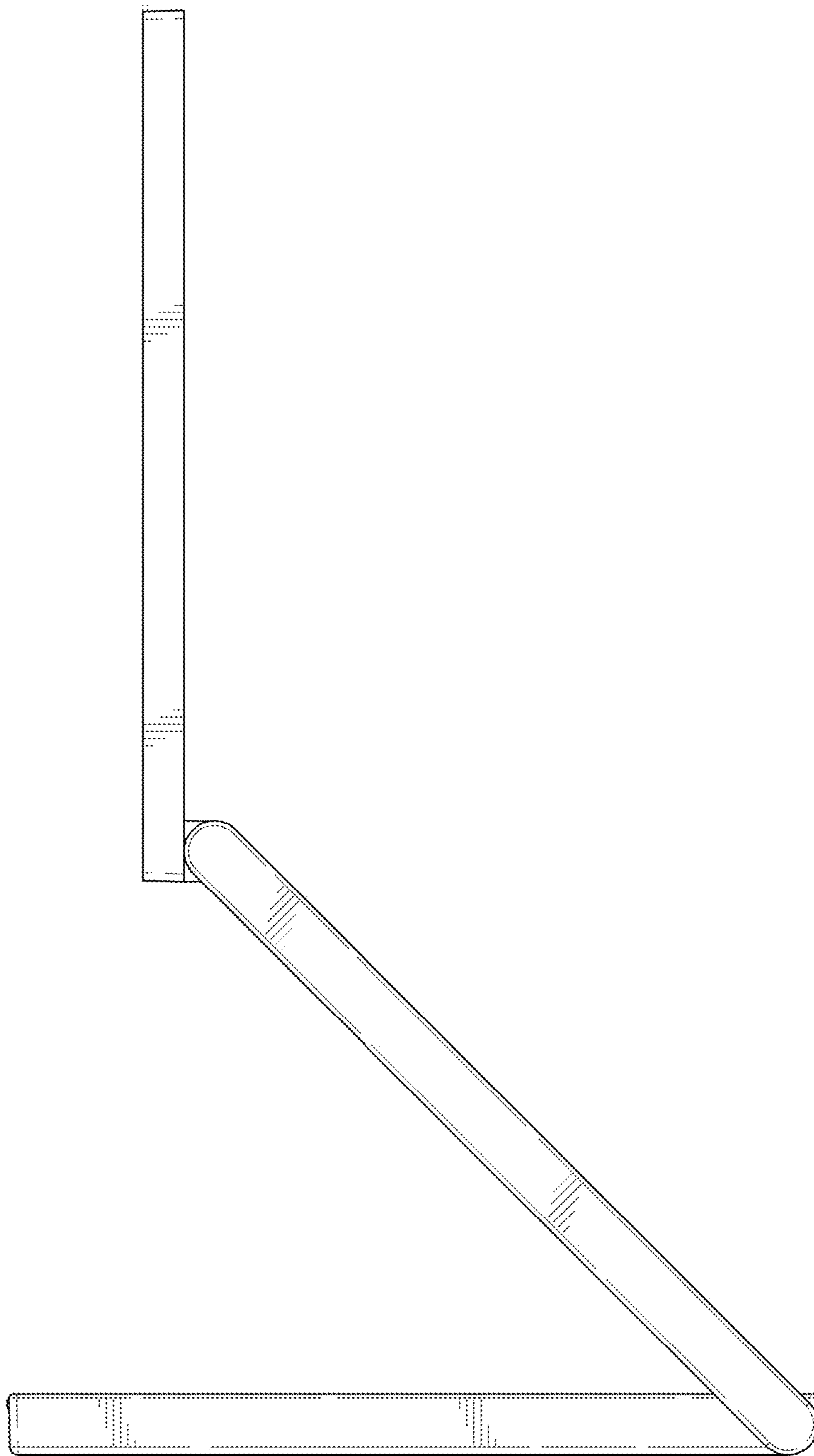


FIG. 5

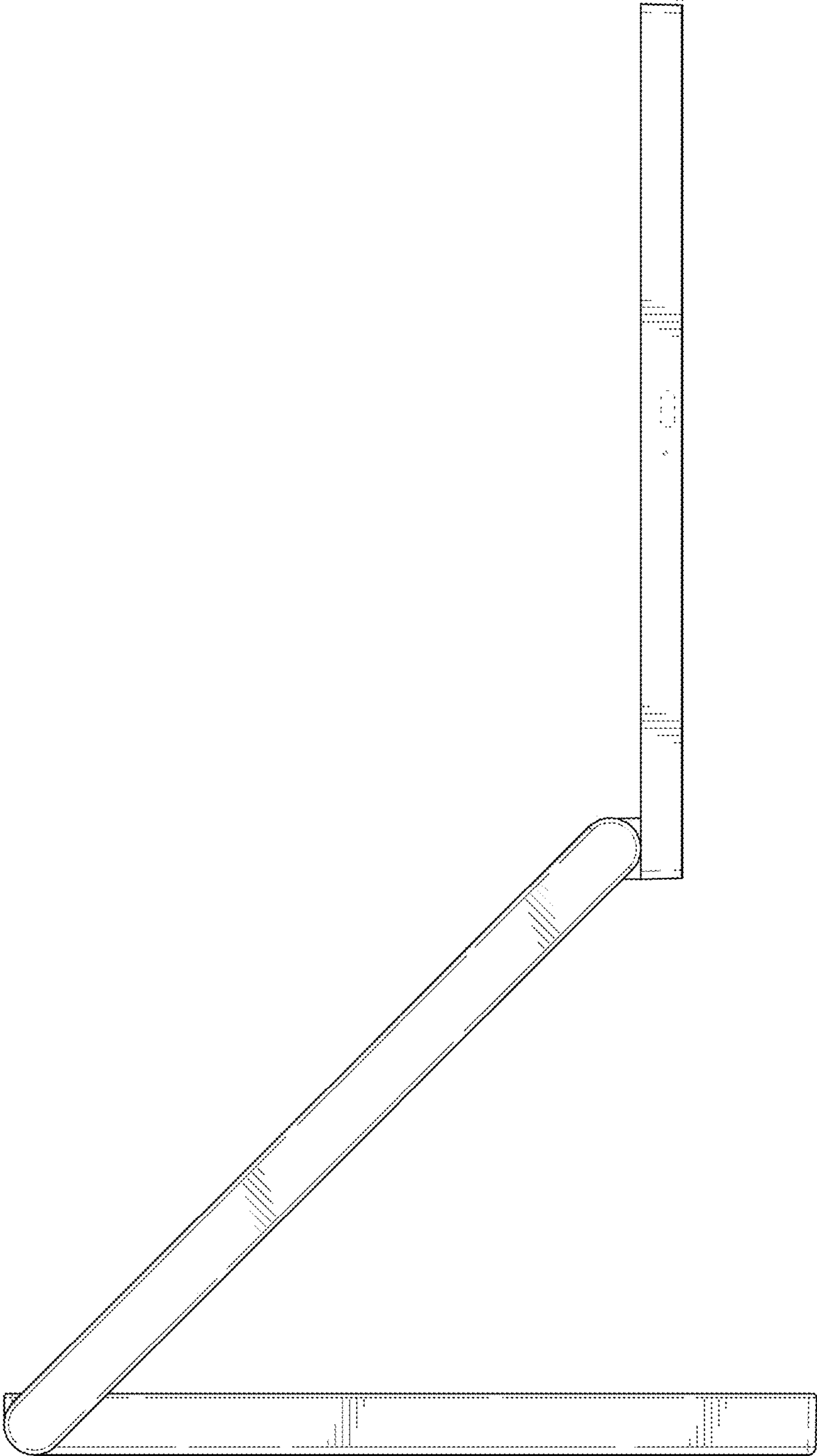


FIG. 6

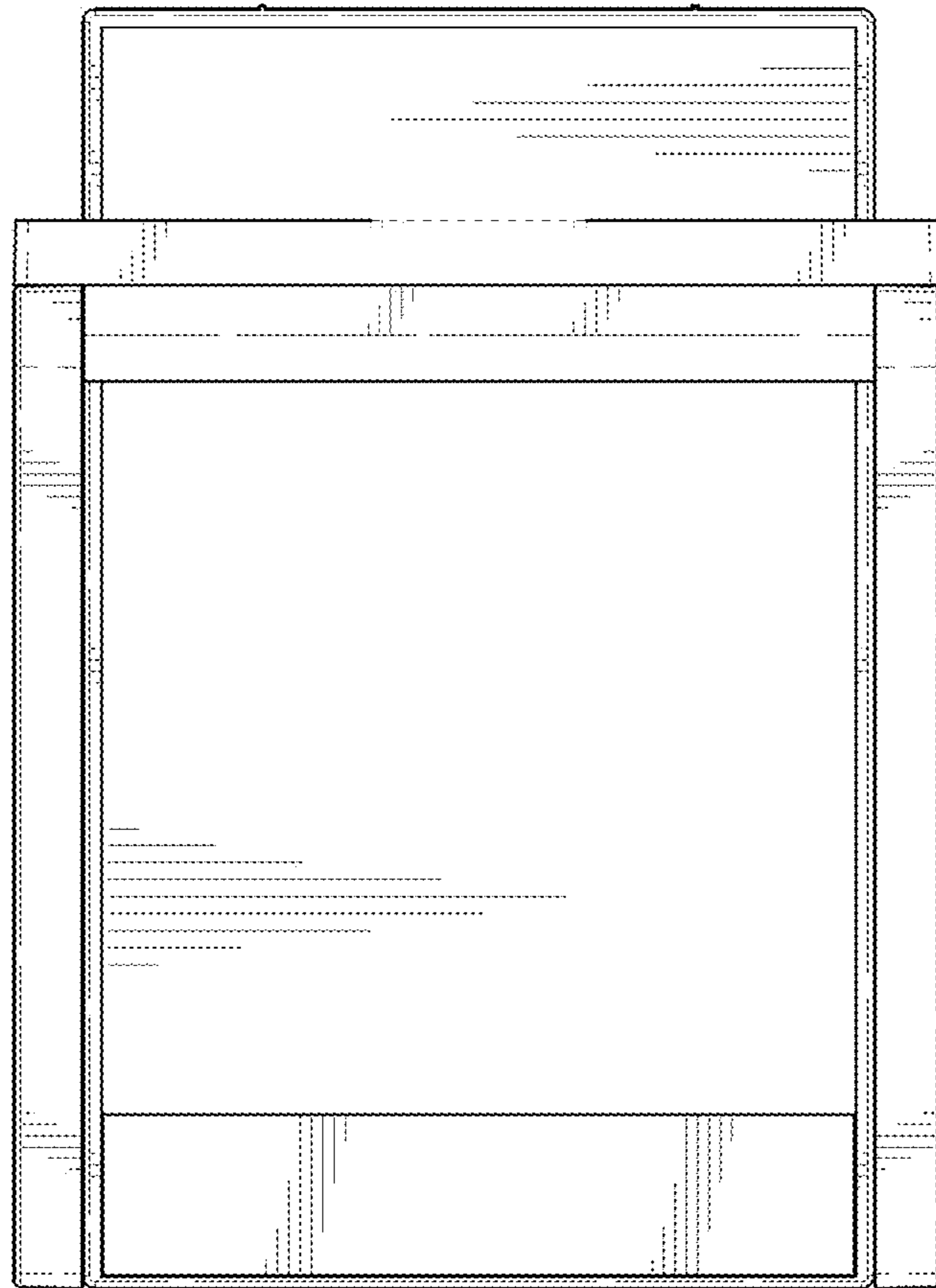


FIG. 7



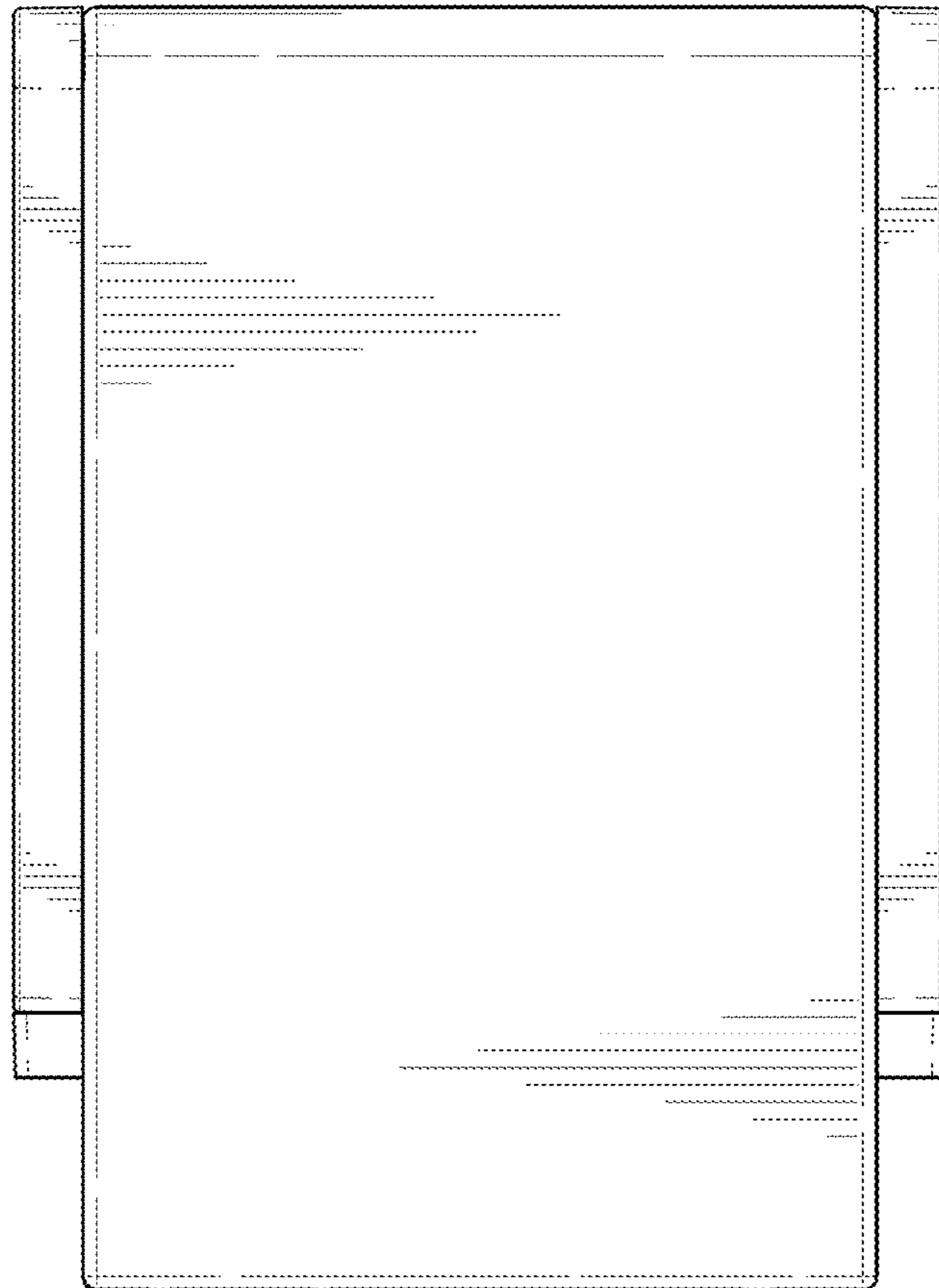


FIG. 8

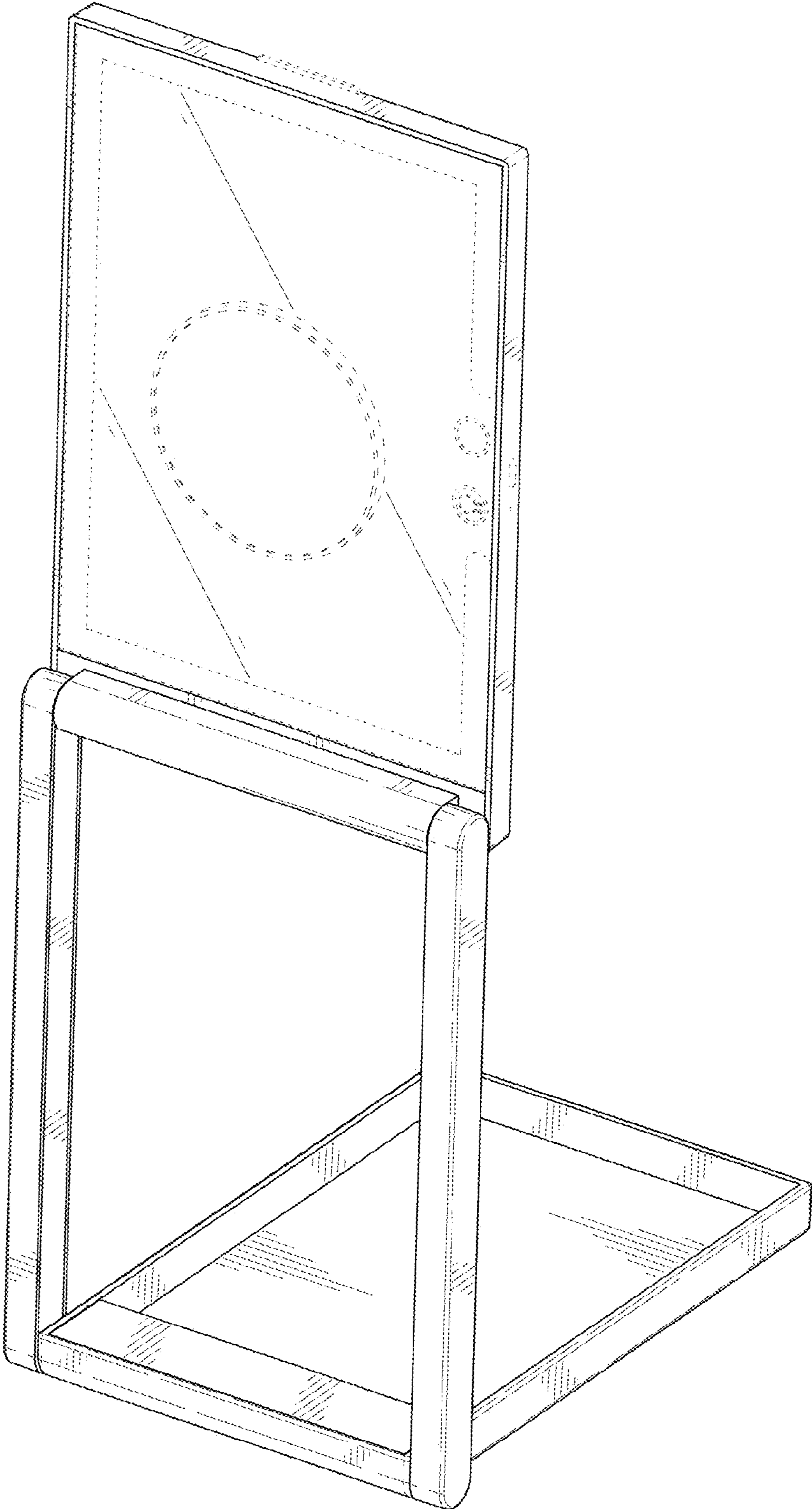


FIG. 9

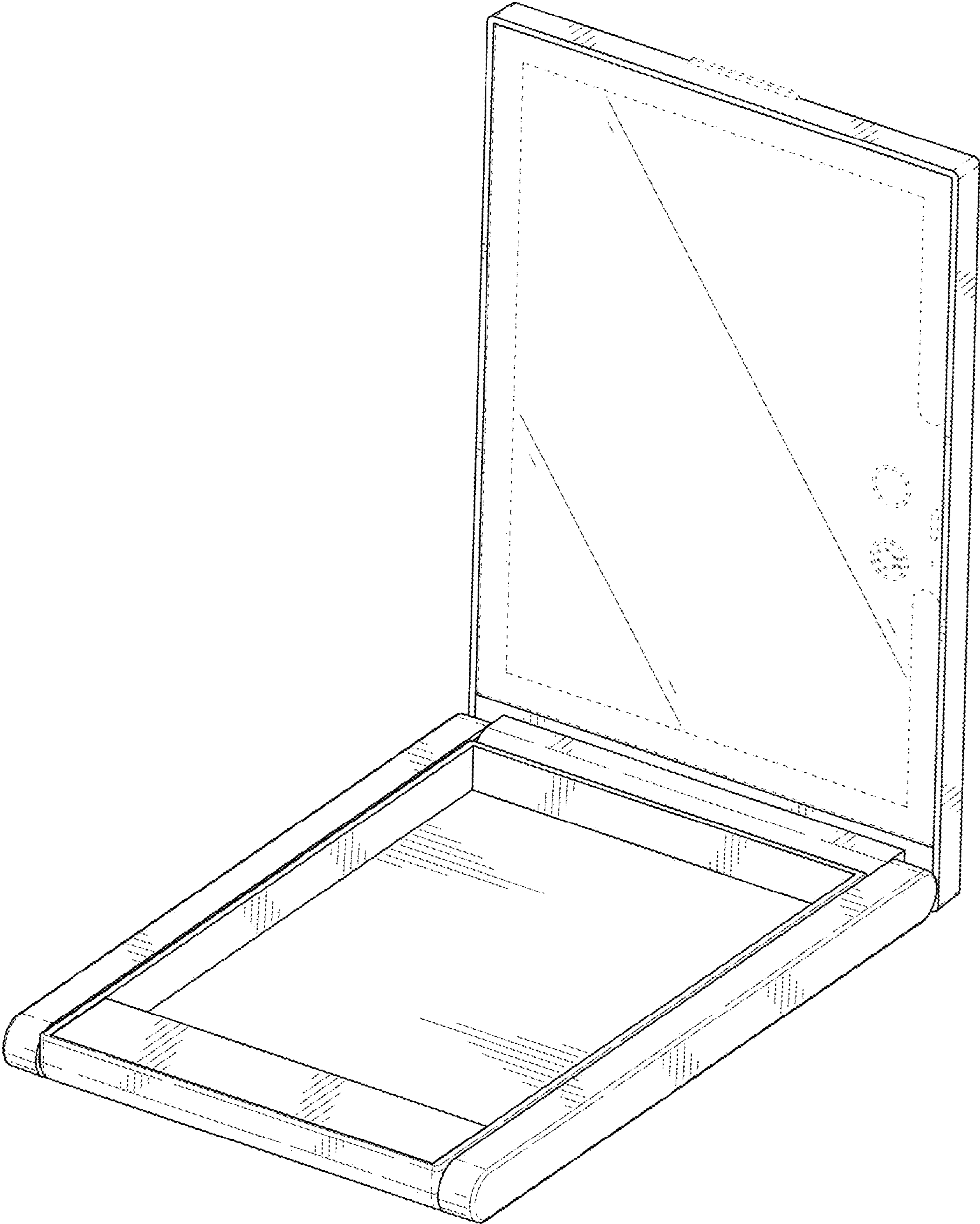


FIG. 10

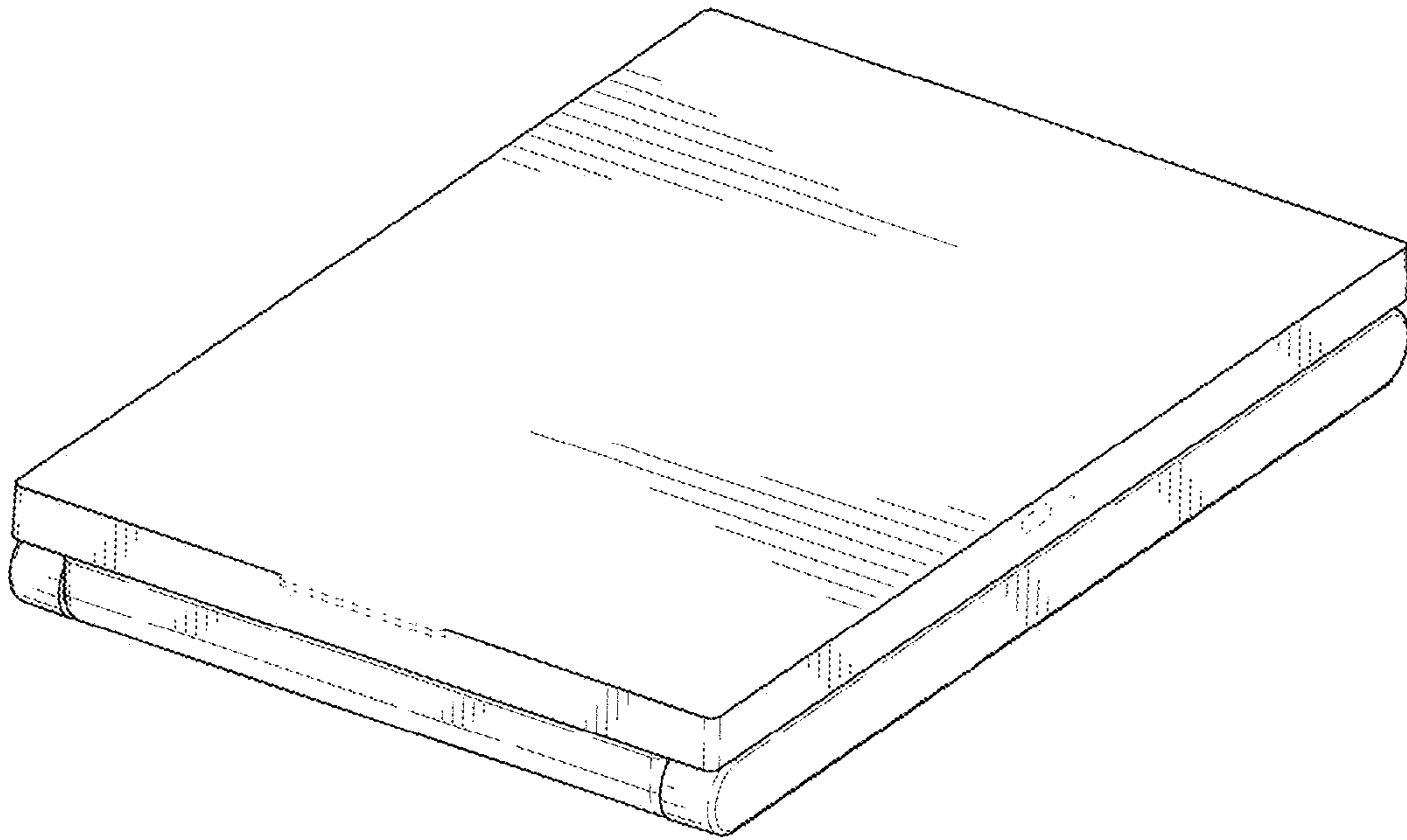


FIG. 11