



US00D982327S

(12) **United States Design Patent** (10) **Patent No.:** **US D982,327 S**
Wang (45) **Date of Patent:** **** Apr. 4, 2023**

(54) **TOILET BRUSH** D624,755 S * 10/2010 Luis D4/111
D647,703 S * 11/2011 Li D4/128
(71) Applicant: **SHENZHEN BLACK AND WHITE** 8,733,852 B2 * 5/2014 Gold A47K 17/00
RED E-COMMERCE CO., LTD., 312/207
Shenzhen (CN) (Continued)

(72) Inventor: **Huiyi Wang**, Shenzhen (CN)

OTHER PUBLICATIONS

(73) Assignee: **SHENZHEN BLACK AND WHITE**
RED E-COMMERCE CO., LTD.,
Shenzhen (CN)

AmazerBath Toilet Brush and Holder for Bathroom, posted Oct. 11, 2021 [online], [retrieved Jan. 3, 2023]. Retrieved from internet, <https://www.amazon.com/dp/B094VY7WZ8> (Year: 2021).*

(**) Term: **15 Years**

(Continued)

(21) Appl. No.: **29/787,095**

Primary Examiner — Alison M Ofstun
Assistant Examiner — Evin Franklin George Ershock

(22) Filed: **Jun. 4, 2021**

(30) **Foreign Application Priority Data**

Mar. 9, 2021 (CN) 202120498331.8

(51) **LOC (14) Cl.** **04-01**

(52) **U.S. Cl.**
USPC **D4/133; D4/128**

(58) **Field of Classification Search**
USPC D4/119, 120, 127, 128, 130, 132, 133,
D4/134, 135, 138, 199

CPC .. A46B 1/00; A46B 3/00; A46B 3/005; A46B
3/02; A46B 3/20; A46B 3/22; A46B 5/00;
A46B 5/002; A46B 5/0025; A46B
5/0029; A46B 5/0033; A46B 5/0037;
A46B 5/0054; A46B 5/0062; A46B
5/0066; A46B 5/0095; A46B 5/02; A46B
5/021; A46B 5/026; A46B 7/00; A46B
9/00; A46B 9/02; A46B 9/023; A46B
9/028; A46B 2200/00; A46B 2200/30;
A46B 2200/304; A46B 7/06; A47K 7/00;
A47K 7/022

See application file for complete search history.

(56) **References Cited**

U.S. PATENT DOCUMENTS

D266,035 S * 9/1982 Thompson D4/128
D424,306 S * 5/2000 Strum D4/121

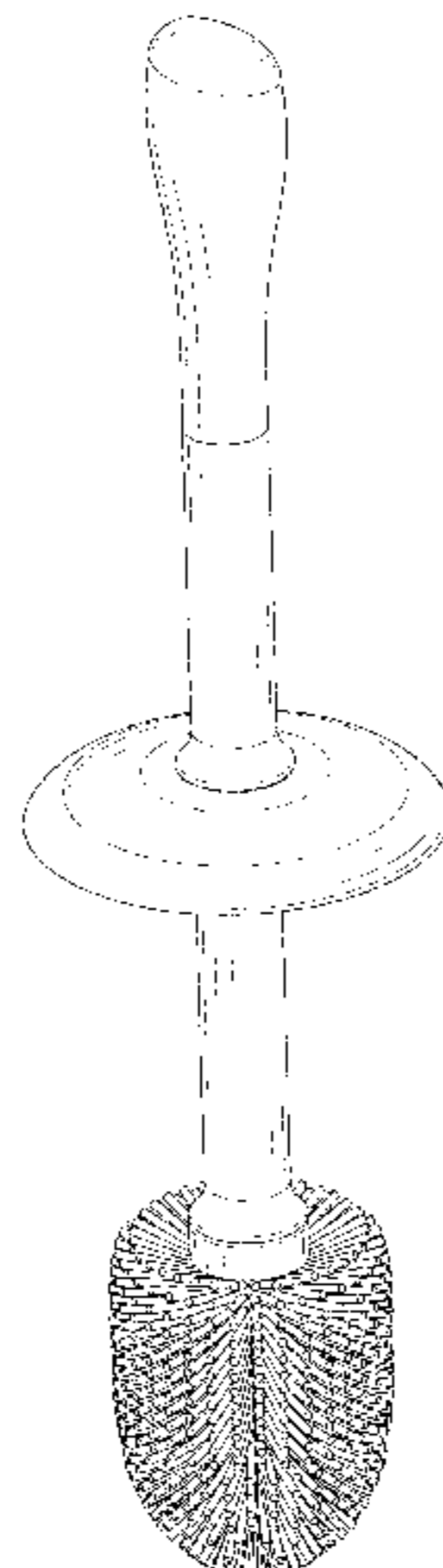
(57) **CLAIM**

The ornamental design for a toilet brush, as shown and described.

DESCRIPTION

FIG. 1 is a perspective view of a toilet brush showing my new design;
FIG. 2 is another perspective view thereof;
FIG. 3 is a front elevational view thereof;
FIG. 4 is a rear elevational view thereof;
FIG. 5 is a left side elevational view thereof;
FIG. 6 is a right side elevational view thereof;
FIG. 7 is a top plan view thereof;
FIG. 8 is a bottom plan view thereof;
FIG. 9 is a perspective view thereof shown in an environment of use; and,
FIG. 10 is an enlarged view of portion 10 shown in FIG. 2. The broken lines shown in the drawings depict environment and form no part of the claimed design. The dot-dash broken lines shown in FIG. 2 and FIG. 10 depict enlarged view indicators and form no part of the claimed design.

1 Claim, 10 Drawing Sheets



(56)

References Cited

U.S. PATENT DOCUMENTS

D801,700 S * 11/2017 Kauss D4/128
D833,155 S * 11/2018 Lien D4/128
D927,196 S * 8/2021 Rodriguez A47K 17/00
D4/133
D927,219 S * 8/2021 Lin D4/116
D946,927 S * 3/2022 Wang D6/551
D949,594 S * 4/2022 Tian D4/116
D972,310 S * 12/2022 Cheng D4/116
D974,771 S * 1/2023 Hao D4/116

OTHER PUBLICATIONS

Toilet Brush, posted Sep. 2, 2022 [online], [retrieved Jan. 3, 2023].
Retrieved from internet, <https://www.amazon.com/dp/B0BCXDGPZH/?th=1> (Year: 2022).*

Ultronic Toilet Brush and Holder, posted Jul. 8, 2020 [online],
[retrieved Jan. 3, 2023]. Retrieved from internet, <https://www.amazon.com/dp/B08BYPZJ27> (Year: 2020).*

Mr.Siga Toilet Bowl Brush, posted Dec. 5, 2019 [online], [retrieved
Jan. 3, 2023]. Retrieved from internet, <https://www.amazon.com/dp/B082F3BNY1/> (Year: 2019).*

* cited by examiner

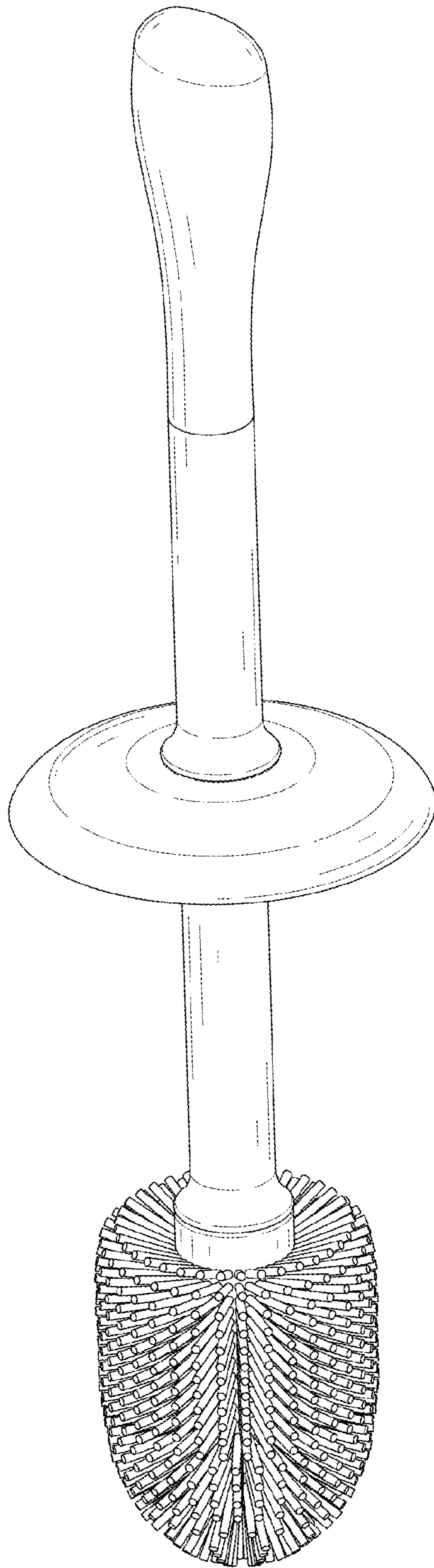


FIG. 1

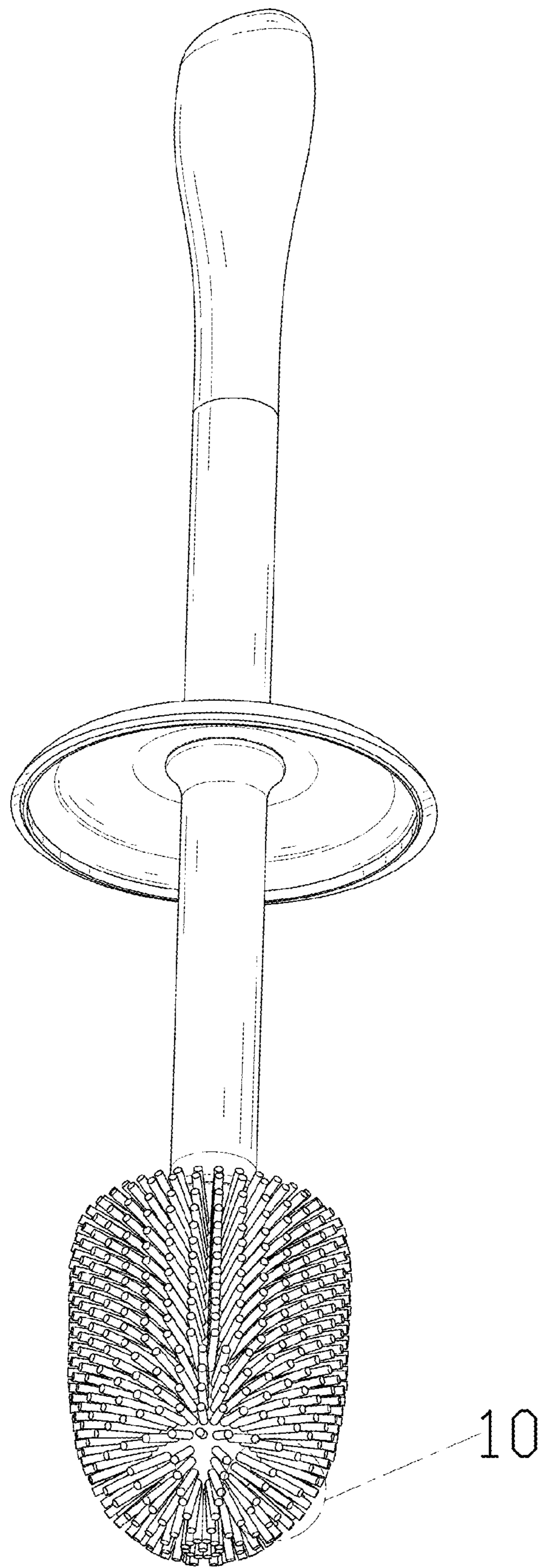


FIG. 2

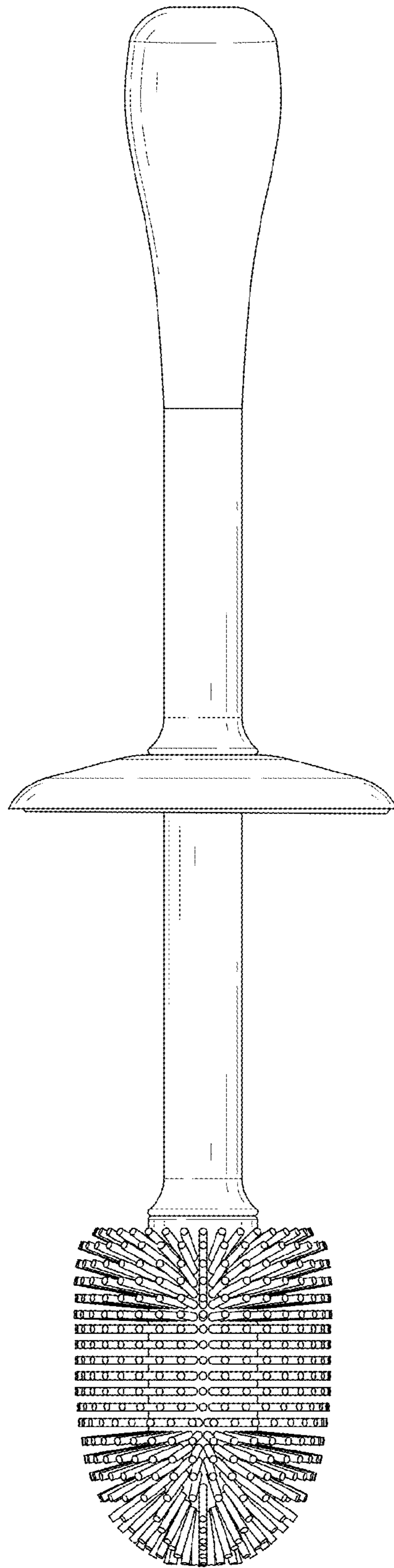


FIG. 3

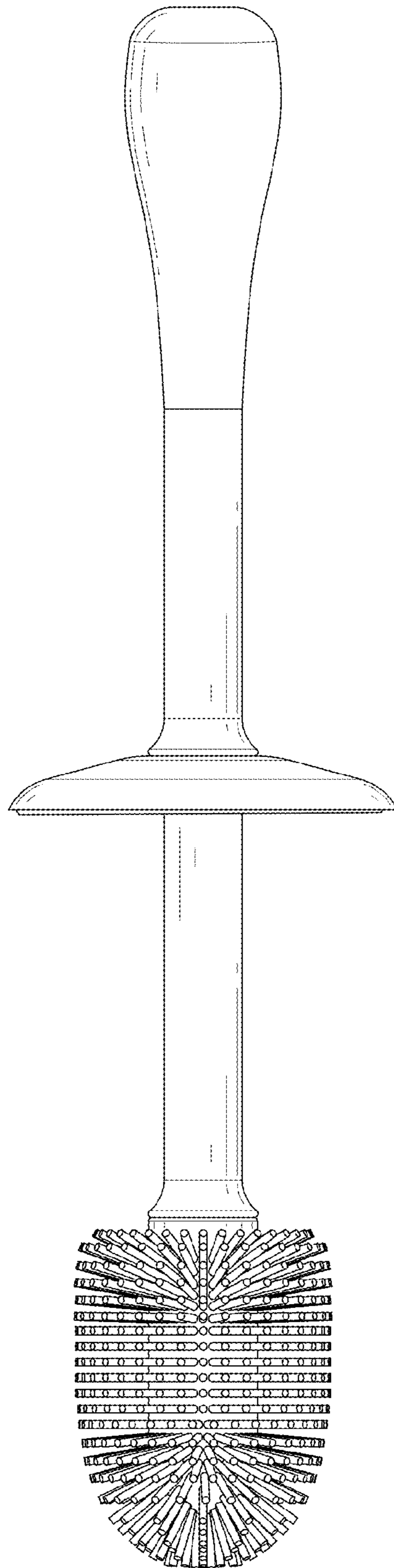


FIG. 4

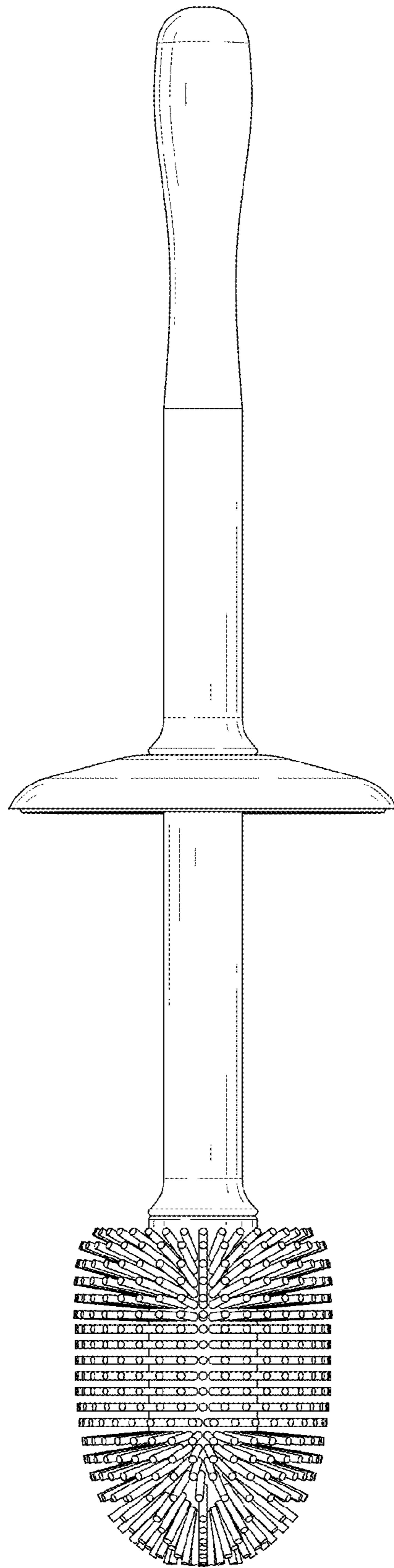


FIG. 5

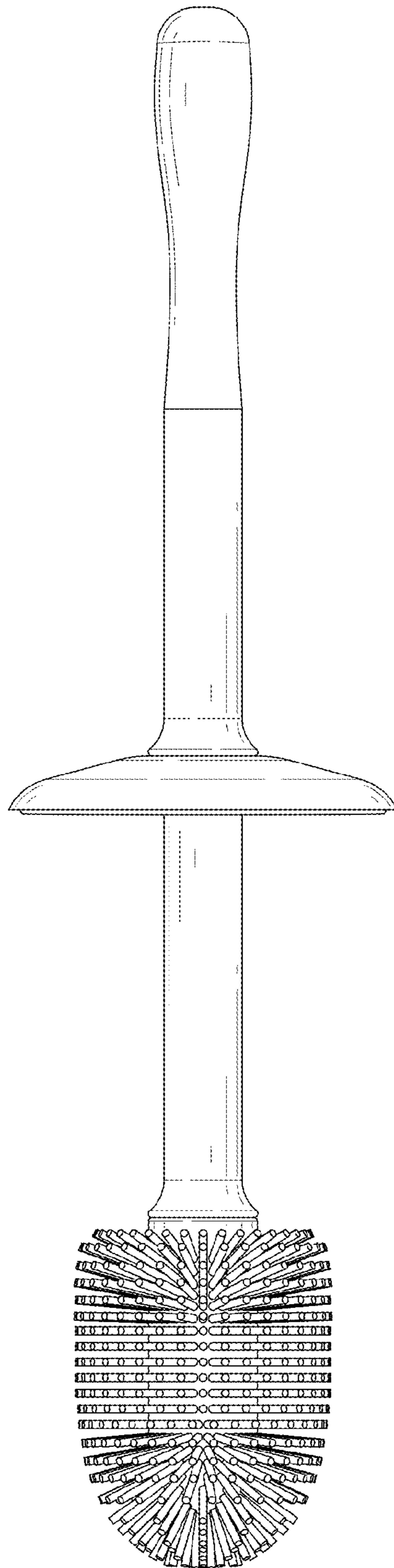


FIG. 6

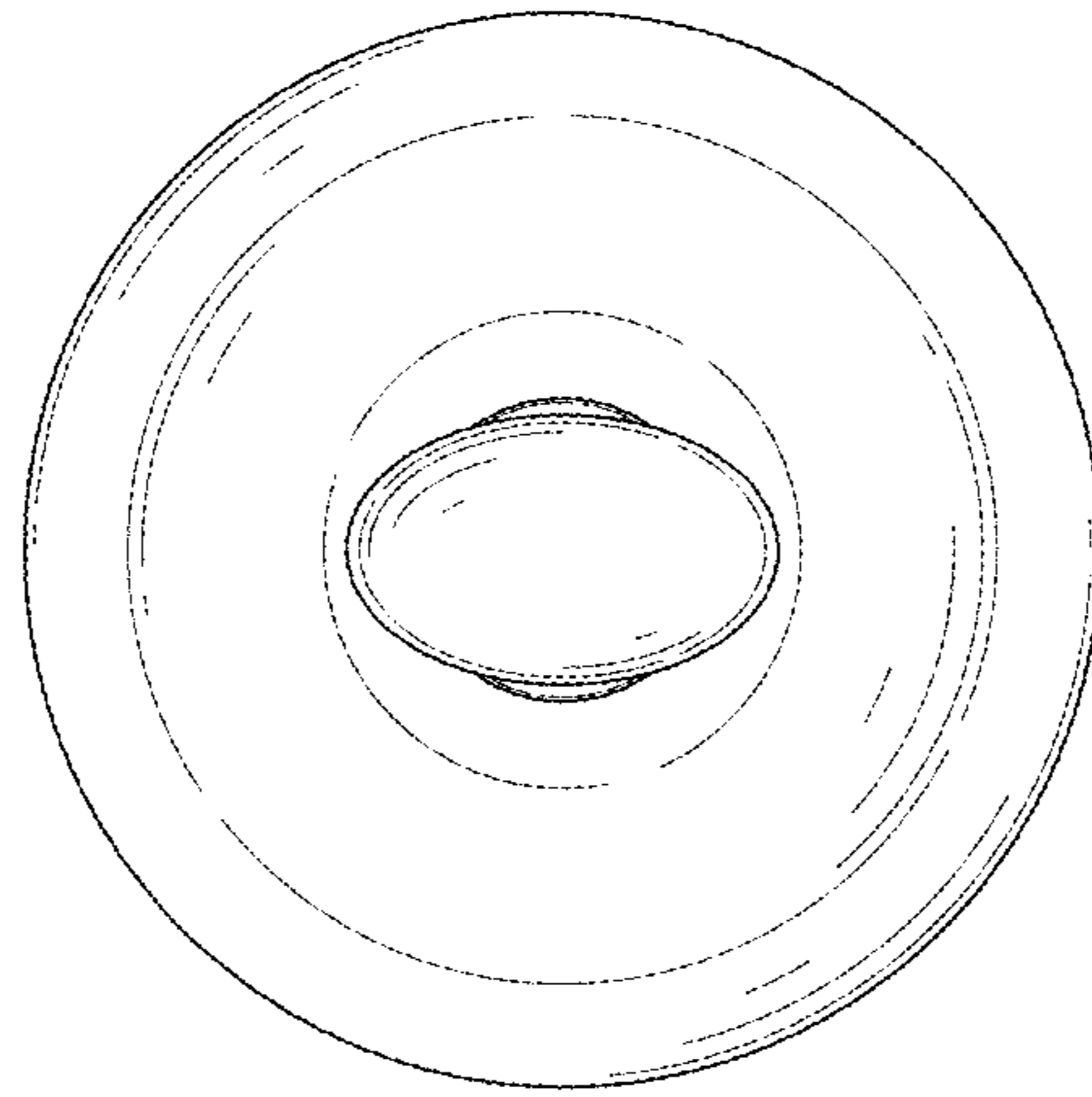


FIG. 7

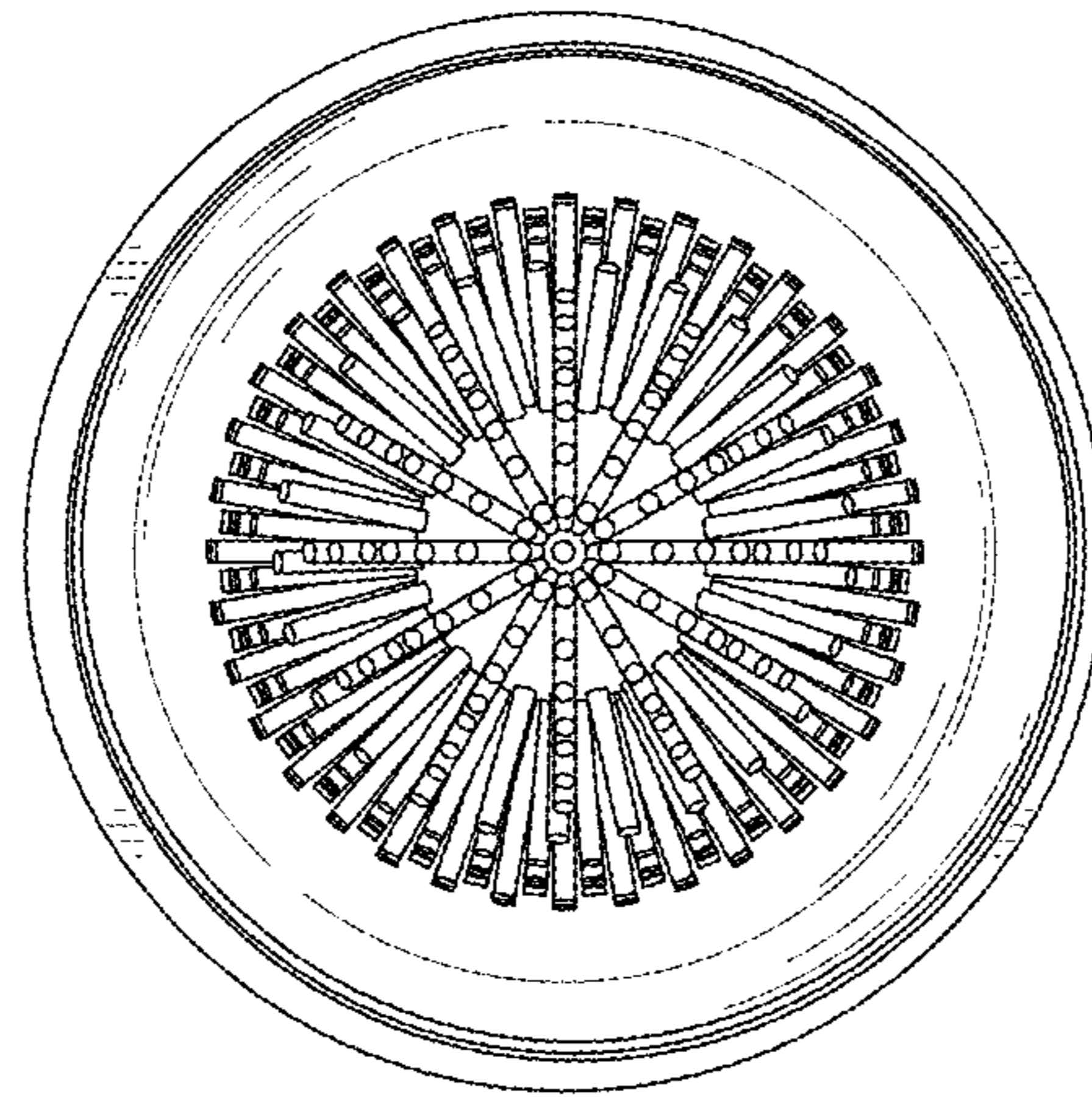


FIG. 8

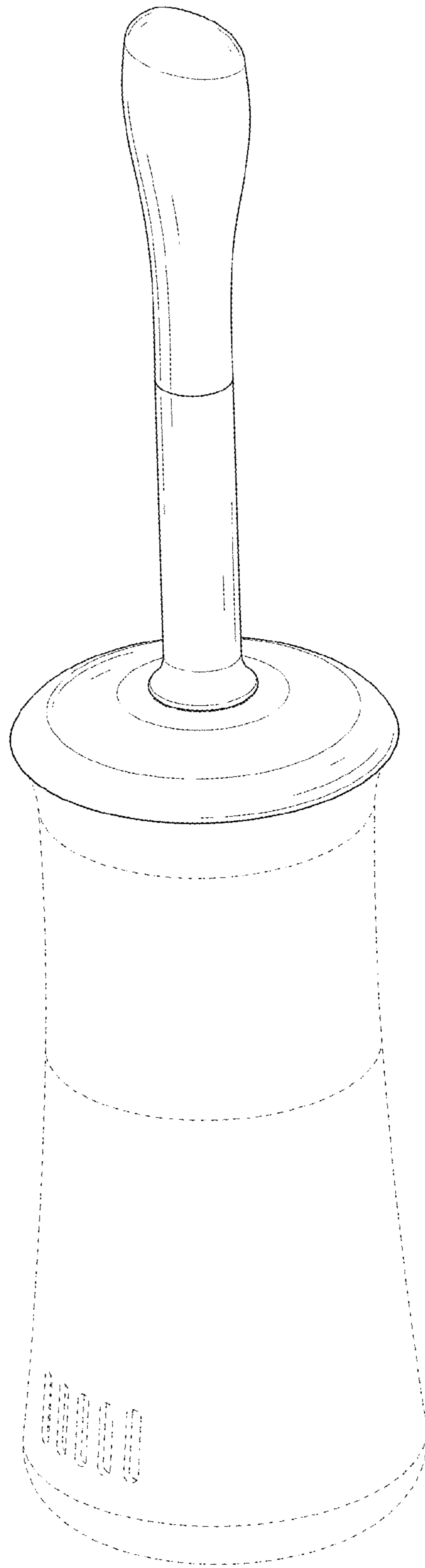


FIG. 9

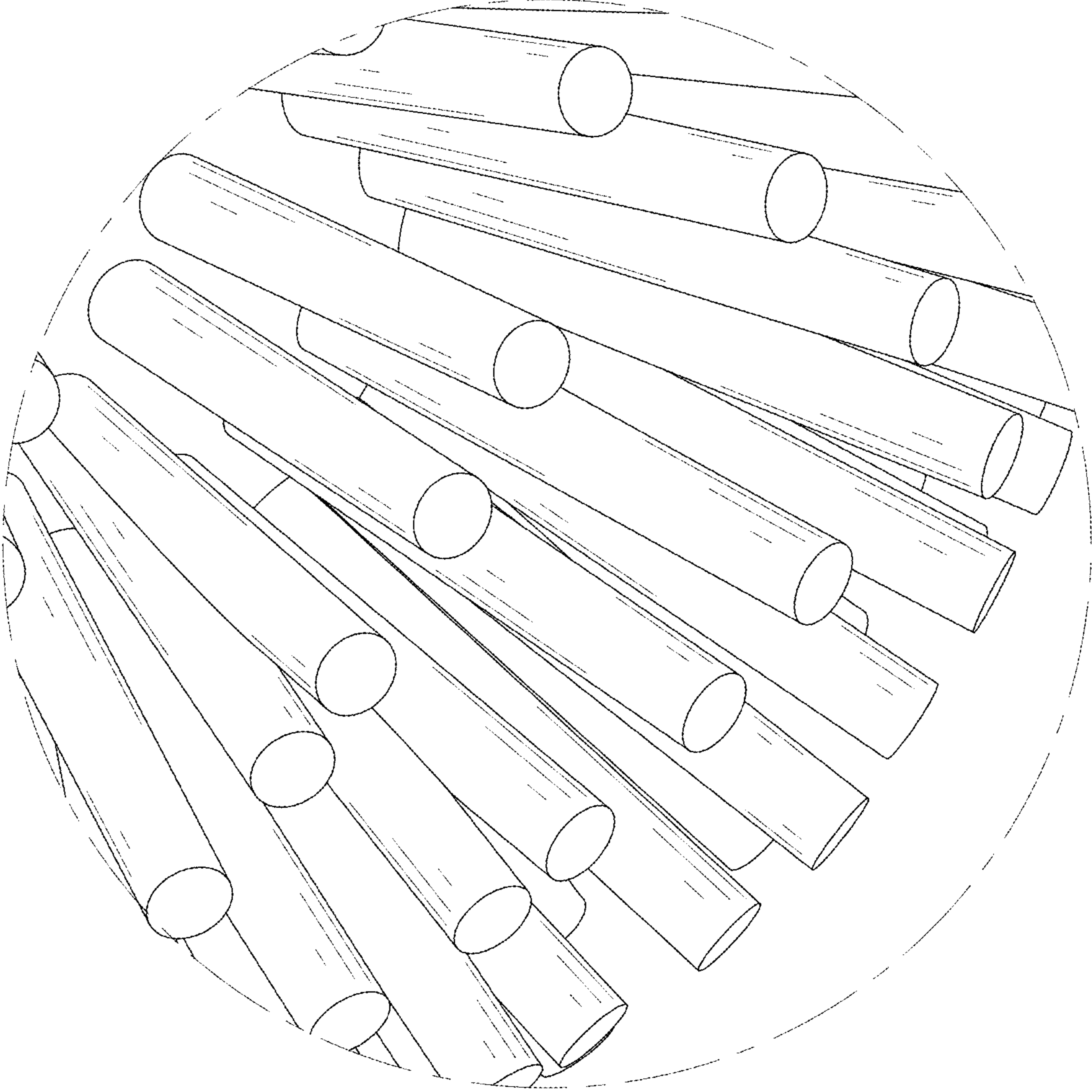


FIG. 10