



US00D982321S

(12) **United States Design Patent**  
**Xiong**

(10) **Patent No.:** **US D982,321 S**

(45) **Date of Patent:** **\*\* Apr. 4, 2023**

- (54) **STORAGE BOX FOR GAME CARD**
- (71) Applicant: **Dongguan Yuepin Electronic Technology Co., Ltd., Dongguan (CN)**
- (72) Inventor: **Wenyi Xiong, Yichun (CN)**
- (73) Assignee: **Dongguan Yuepin Electronic Technology Co., Ltd., Dongguan (CN)**

- D675,434 S \* 2/2013 Vernall ..... D3/294
- D675,823 S \* 2/2013 Vernall ..... D3/294
- D715,051 S \* 10/2014 Tung ..... D3/294
- D778,156 S \* 2/2017 Follett ..... D9/432
- D839,583 S \* 2/2019 Cao ..... D3/201
- D846,264 S \* 4/2019 Wu ..... D3/201
- D860,649 S \* 9/2019 Li
- D882,262 S \* 4/2020 Zhang ..... D3/294
- D902,589 S \* 11/2020 Li ..... D3/294

(Continued)

(\*\*) Term: **15 Years**

**OTHER PUBLICATIONS**

(21) Appl. No.: **29/839,184**

Lerunia, Sep. 19, 2021, Amazon.com Product review Post, URL: <https://www.amazon.com/HEIYING-Nintendo-Switch-Pattern-Storage/dp/B09BN5N7W5?th=1> (Year: 2021).\*

(22) Filed: **May 19, 2022**

(Continued)

(30) **Foreign Application Priority Data**

Nov. 30, 2021 (CN) ..... 202130791808.7

(51) **LOC (14) Cl.** ..... **09-01**

(52) **U.S. Cl.**  
USPC ..... **D3/294; D21/392; D9/426**

(58) **Field of Classification Search**  
USPC ..... D9/414, 418, 420, 421, 423, 425, 426,  
D9/432; D21/391, 392; D3/201, 203.3,  
D3/247, 273, 294

CPC .. B65D 5/4204; B65D 5/6697; B65D 77/006;  
Y10S 312/902

See application file for complete search history.

*Primary Examiner* — Brett Miller

*Assistant Examiner* — Rani J Abdallah

(74) *Attorney, Agent, or Firm* — Georgi Korobanov

(57) **CLAIM**

The ornamental design for a storage box for game card, as shown and described.

**DESCRIPTION**

FIG. 1 is a front view showing the design of a storage box for game card thereof;

FIG. 2 is a left side view thereof;

FIG. 3 is a right side view thereof;

FIG. 4 is a top plan view thereof;

FIG. 5 is a bottom plan view thereof

FIG. 6 is a rear view thereof;

FIG. 7 is a perspective view thereof;

FIG. 8 is another perspective view thereof;

FIG. 9 is a perspective view in half closed configuration thereof; and,

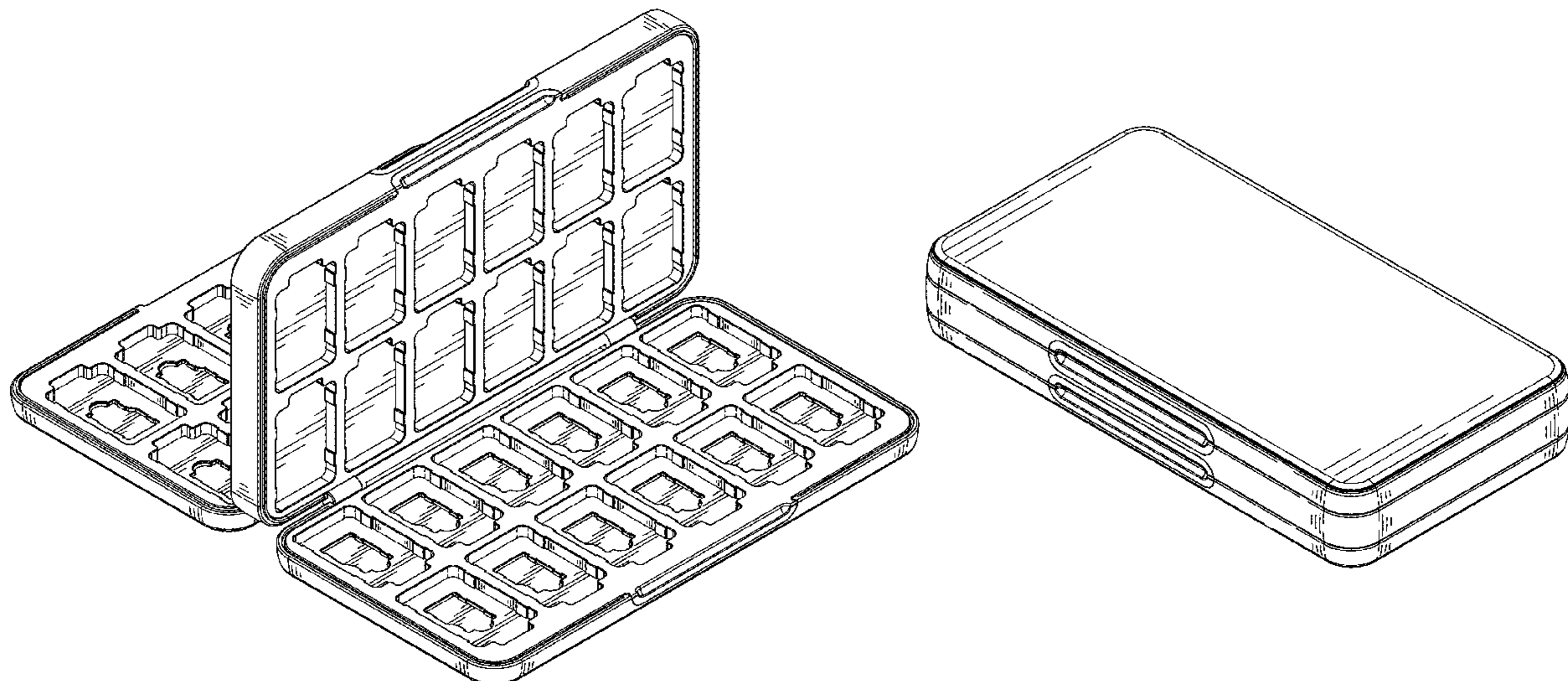
FIG. 10 is a perspective view in closed configuration thereof.

**1 Claim, 10 Drawing Sheets**

(56) **References Cited**

**U.S. PATENT DOCUMENTS**

- D25,576 S \* 6/1896 Fletcher ..... D9/423
- D178,627 S \* 9/1956 Baratell ..... D3/294
- D275,833 S \* 10/1984 Malpass ..... D9/423
- D413,017 S \* 8/1999 Masoud ..... D3/247
- D430,727 S \* 9/2000 Wisniewski ..... D3/201
- D452,148 S \* 12/2001 Friedberg ..... D9/423
- D455,957 S \* 4/2002 Sisinni ..... D9/423
- D592,045 S \* 5/2009 Banakar ..... D9/425
- D666,811 S \* 9/2012 Yang ..... D3/247
- D672,643 S \* 12/2012 Giraud ..... D9/421



(56)

**References Cited**

U.S. PATENT DOCUMENTS

D927,178 S \* 8/2021 Chui ..... D3/247  
D934,348 S 10/2021 Han

OTHER PUBLICATIONS

Phoenix, Dec. 2, 2020, Amazon.com Product review Post, URL: <https://www.amazon.com/IINE-Nintendo-Shockproof-Resistant-Carrying/dp/B07L6BHNRW?th=1> (Year: 2020).\*

HEIYING Game Card Case for Nintendo Switch&Switch OLED, Portable Switch Lite Game Card Storage with 48 Game Card Slots and 24 Micro SD Card Slots, Sep. 25, 2021, Amazon.com, URL: <https://www.amazon.com/HEIYING-Nintendo-Switch-Portable-Storage-Slots/dp/B09J1CTD1Q?th=1> (Year: 2021).\*

\* cited by examiner

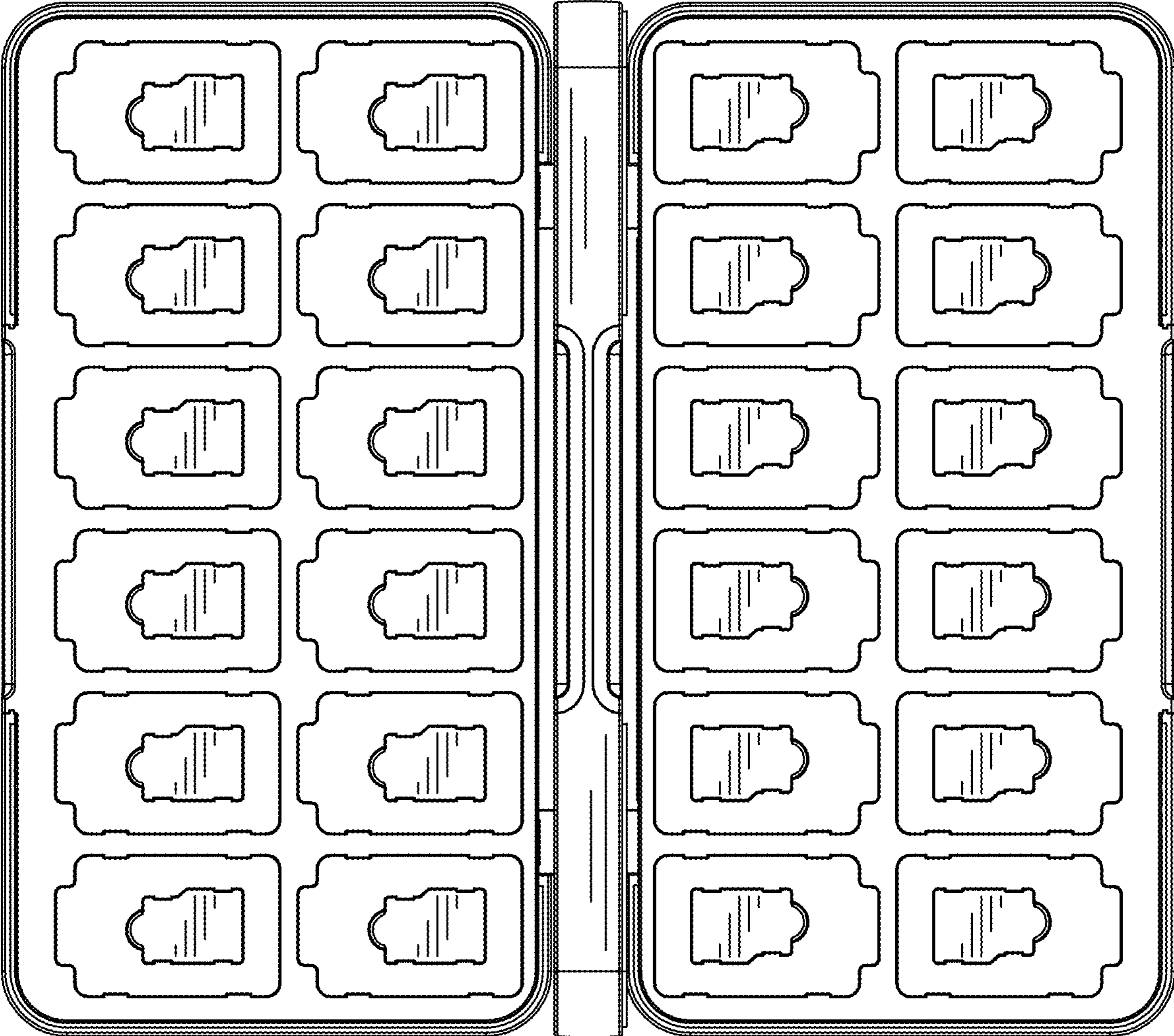


FIG. 1

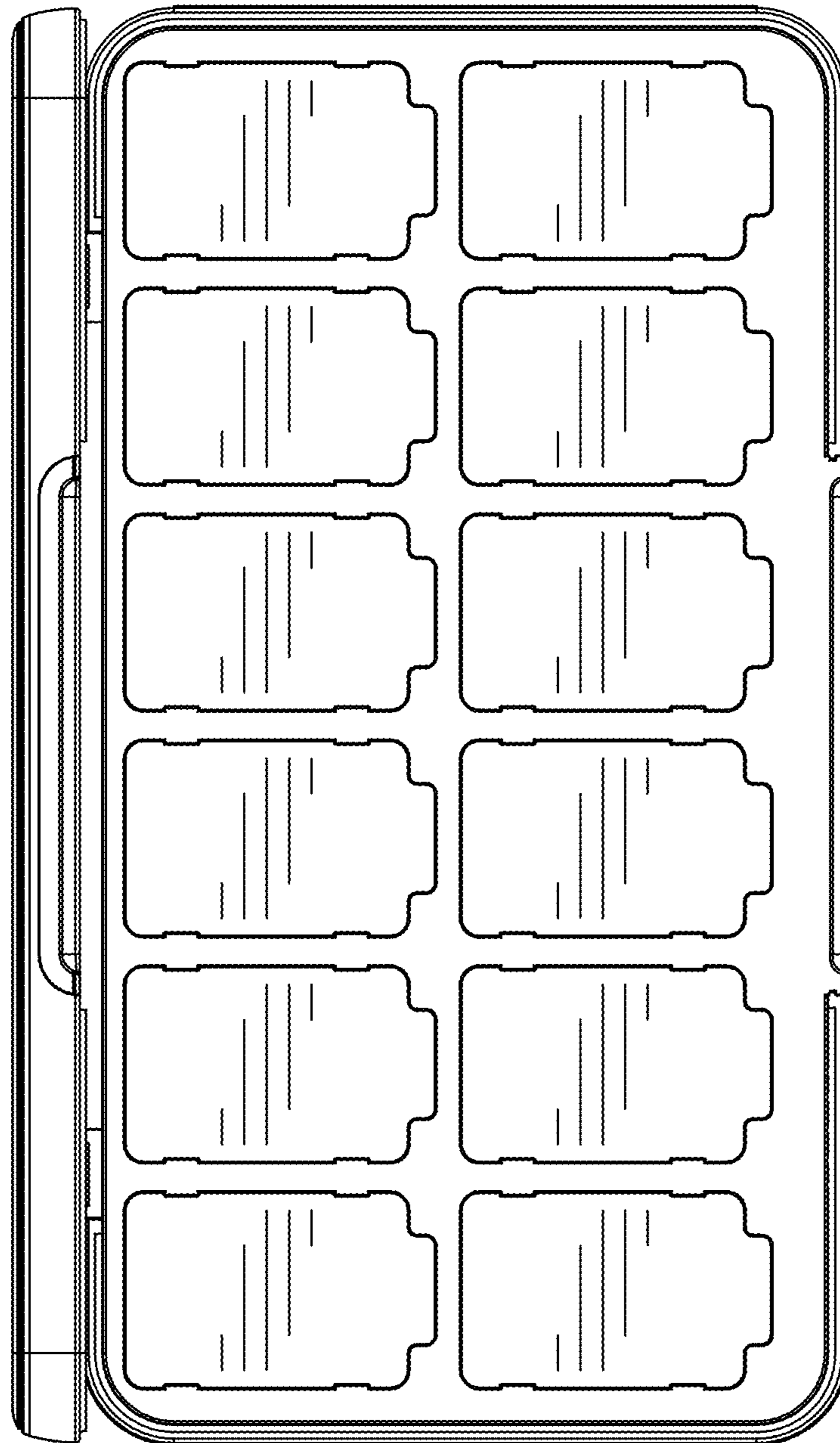


FIG. 2

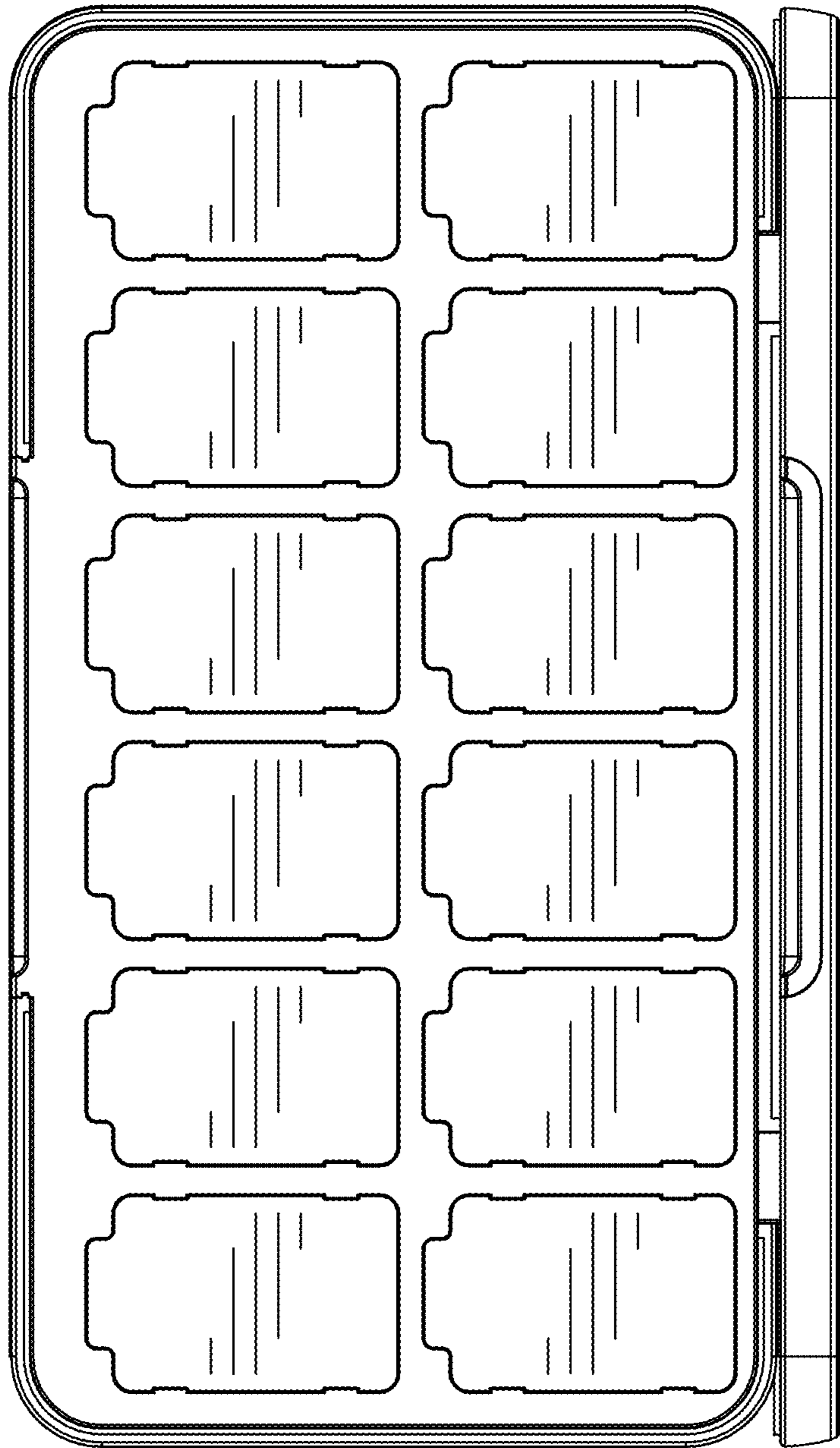


FIG. 3

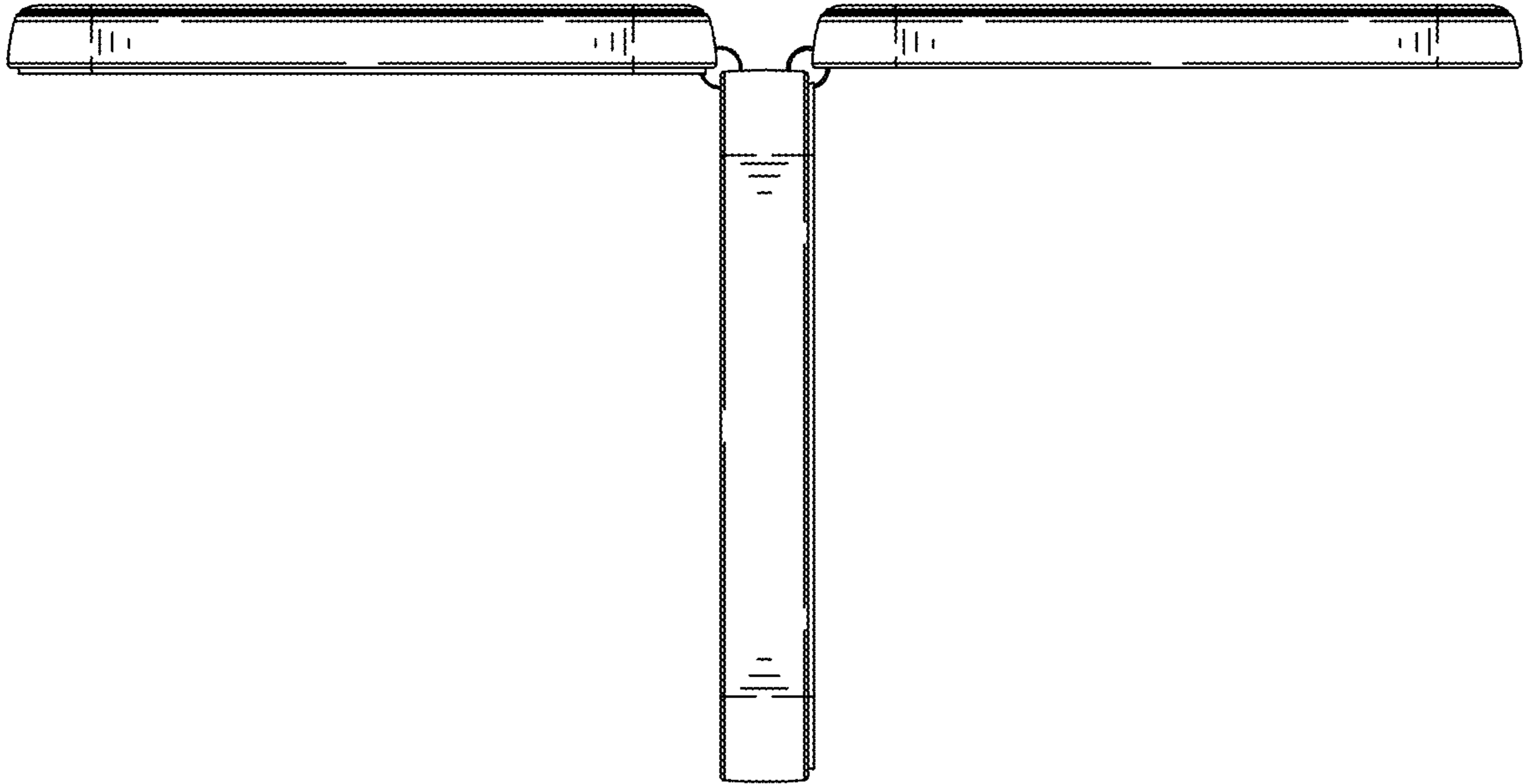


FIG. 4

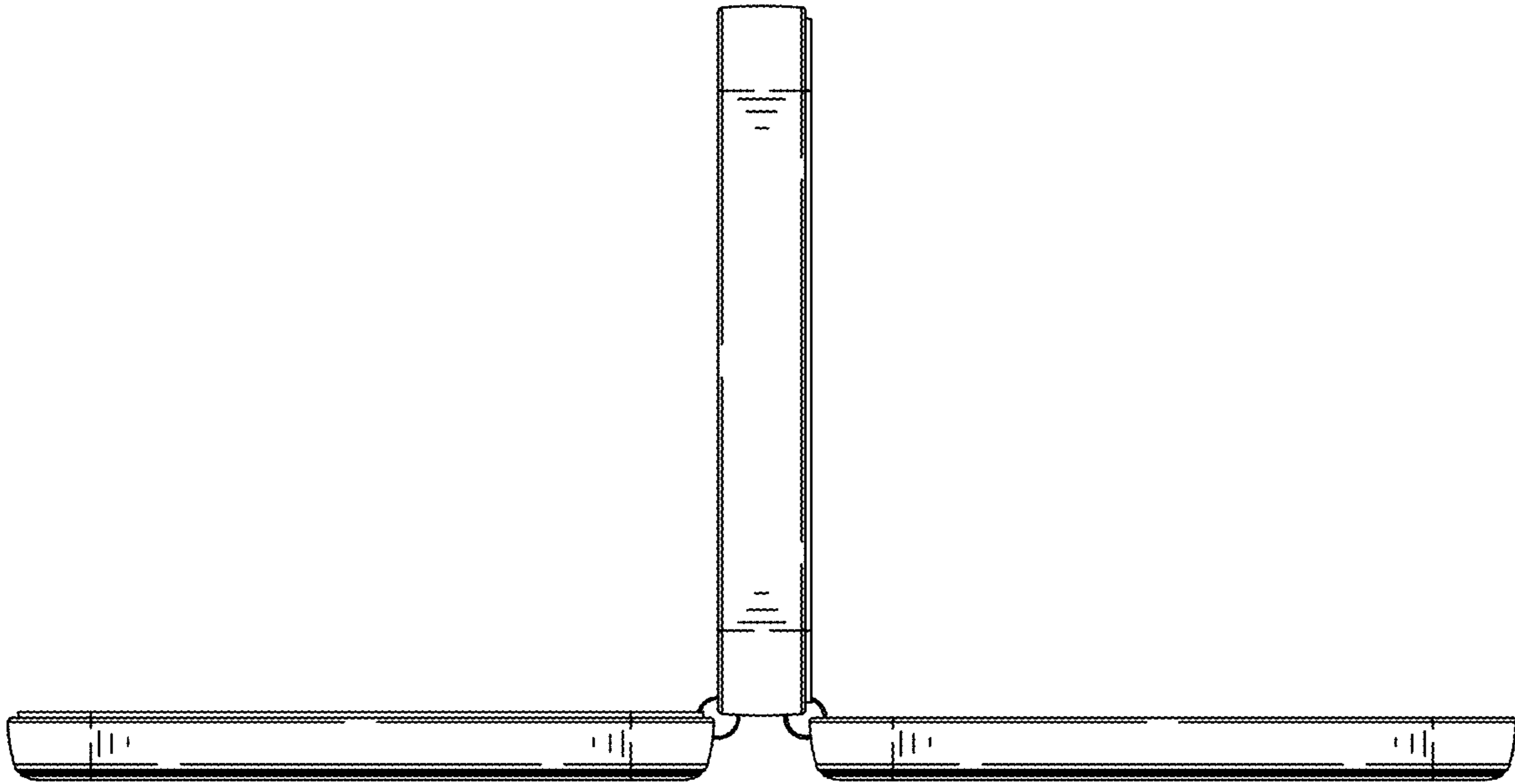


FIG. 5

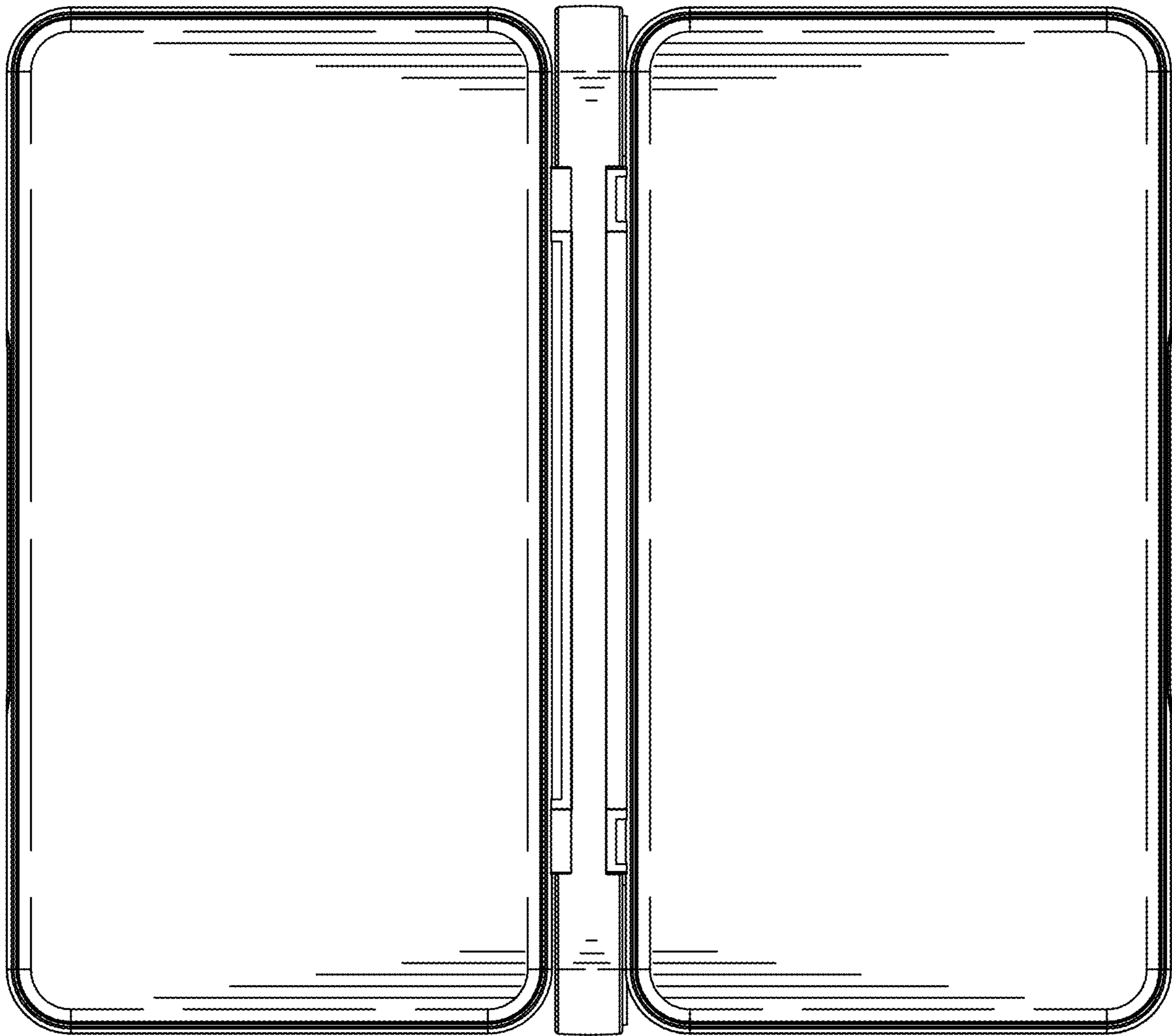


FIG. 6



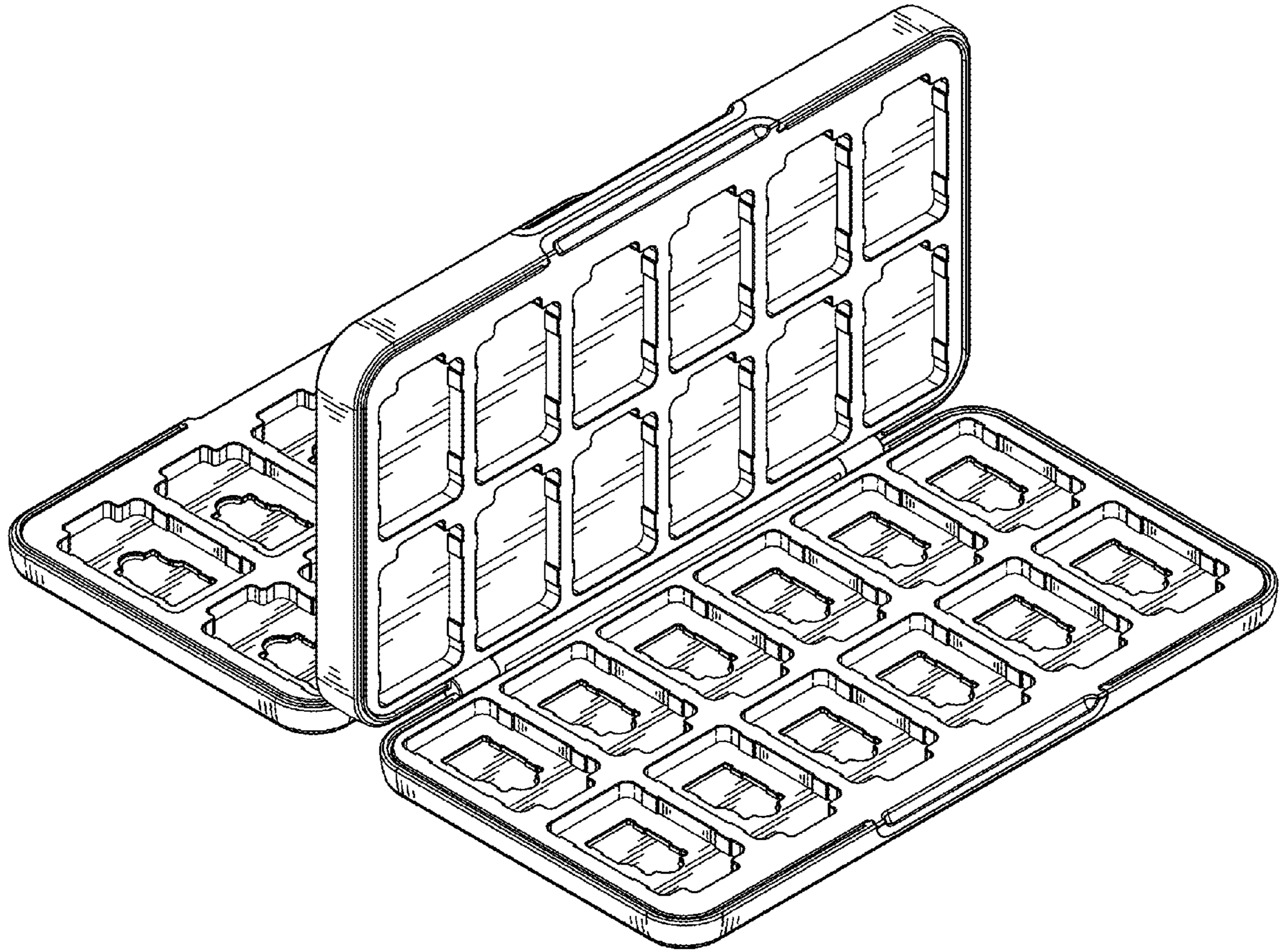


FIG. 7

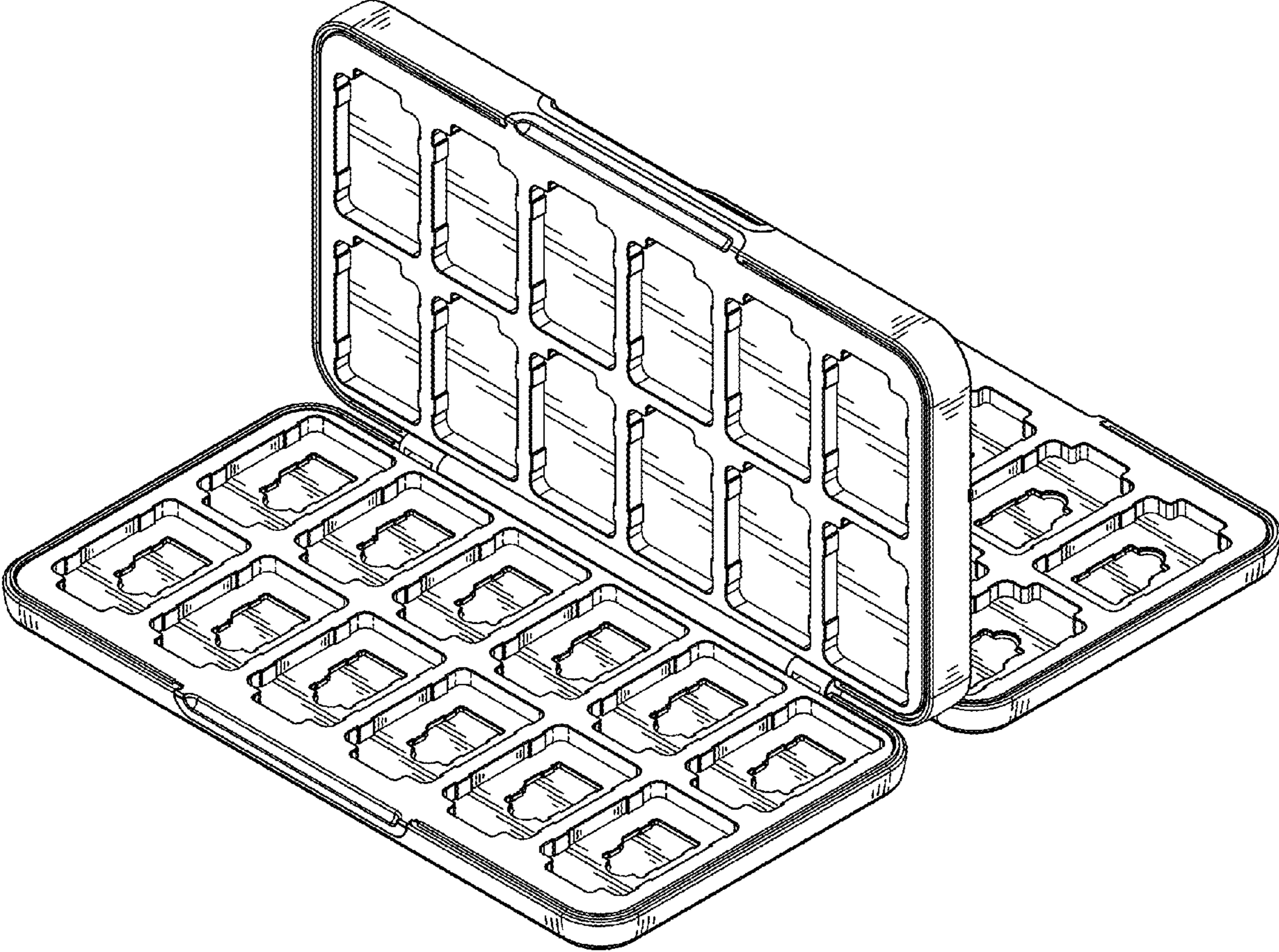


FIG. 8

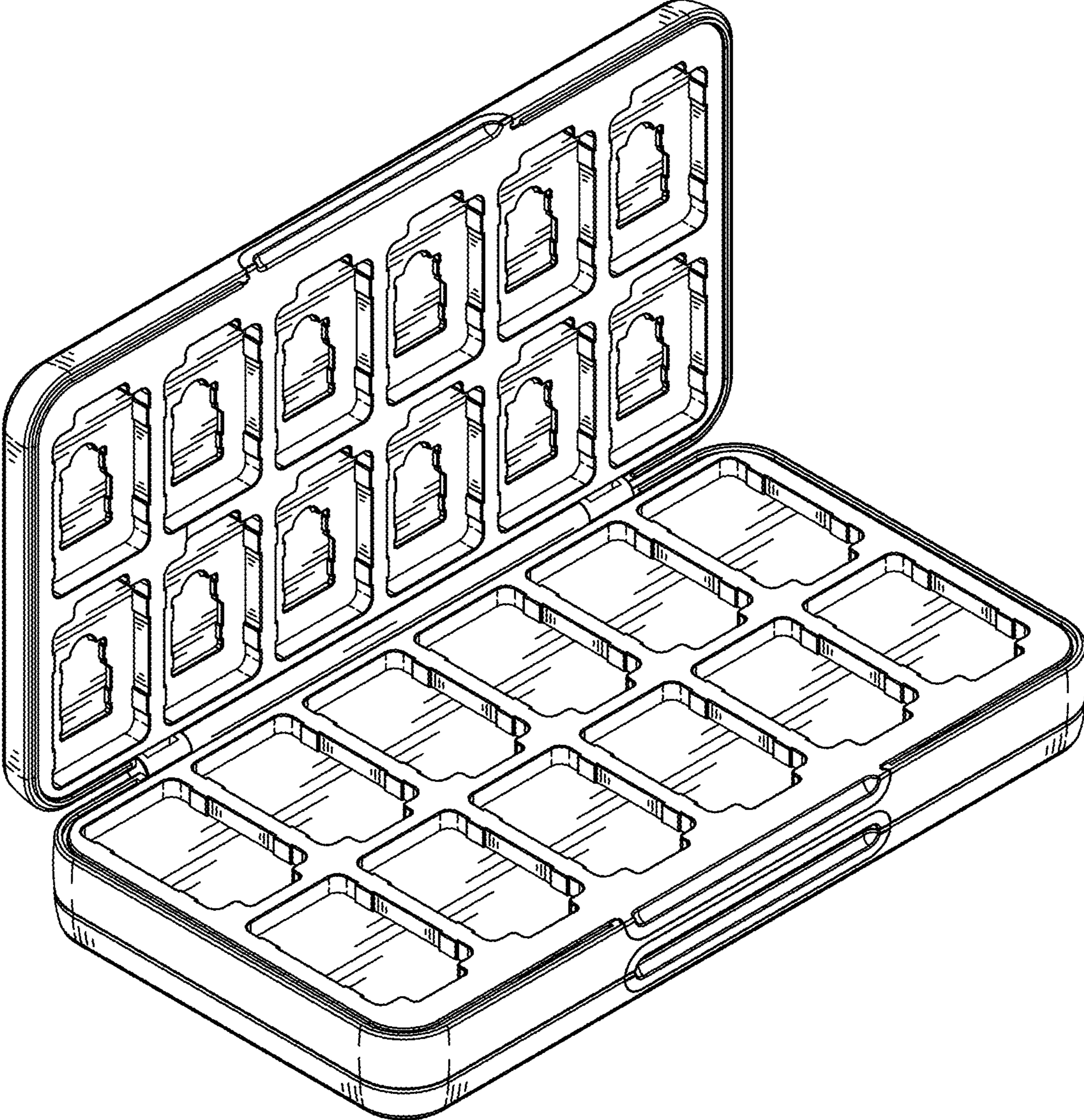


FIG. 9

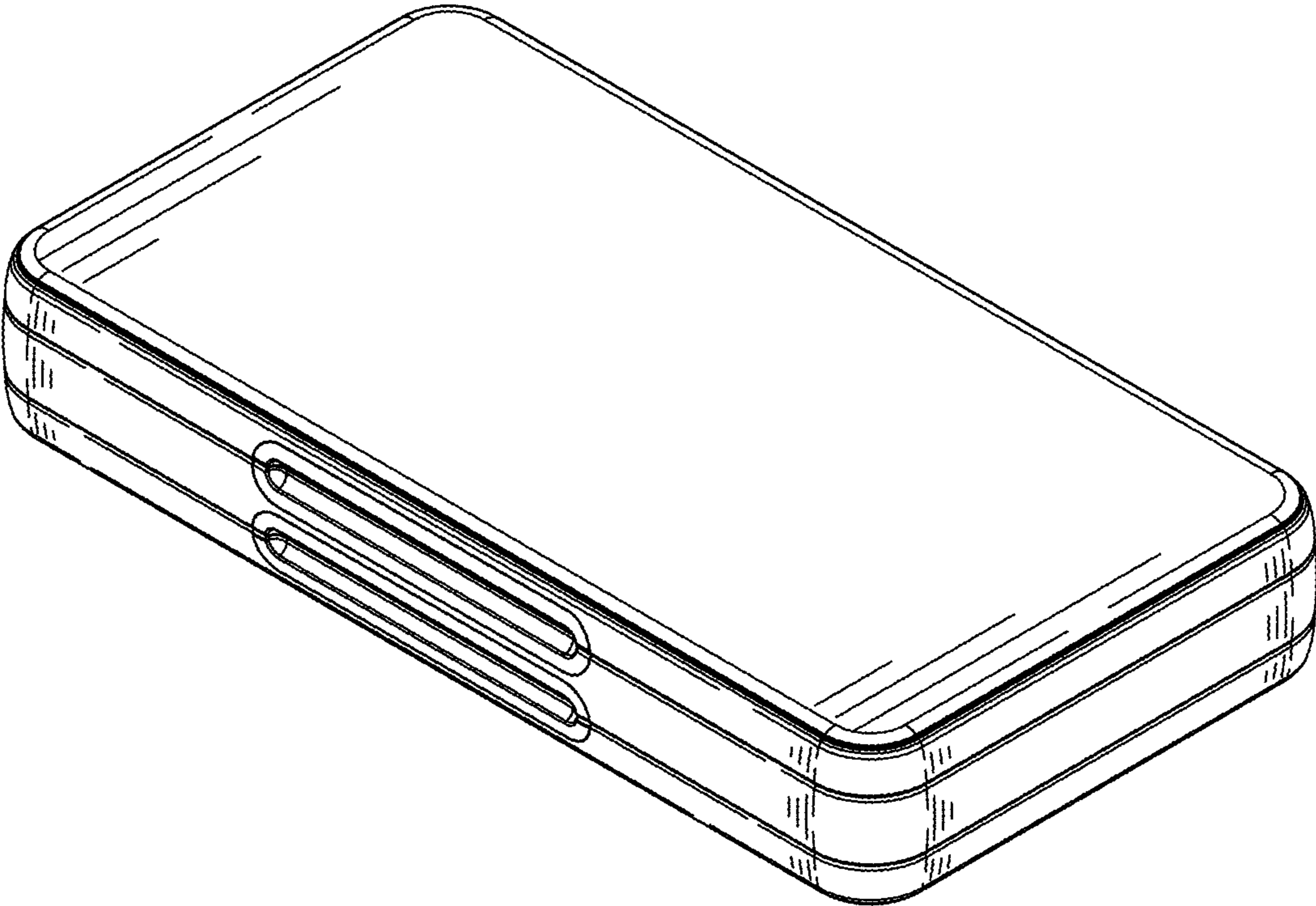


FIG. 10