



US00D982319S

(12) **United States Design Patent**
Zhang

(10) **Patent No.:** **US D982,319 S**

(45) **Date of Patent:** **** Apr. 4, 2023**

(54) **GYM BAG**

(71) Applicant: **Quanzhou Jingbo Trading Co., Ltd.**,
Fujian (CN)

(72) Inventor: **Qinge Zhang**, Fujian (CN)

(**) Term: **15 Years**

(21) Appl. No.: **29/855,484**

(22) Filed: **Oct. 4, 2022**

(51) **LOC (14) Cl.** **03-01**

(52) **U.S. Cl.**

USPC **D3/287**; D3/289

(58) **Field of Classification Search**

USPC D3/282, 294, 305, 307, 902, 235, 243,
D3/244, 246, 310, 239, 287, 317, 284,
D3/285, 289, 301

CPC A45C 1/02; A45C 7/005; A45C 11/00;
A45C 2003/007

See application file for complete search history.

(56) **References Cited**

U.S. PATENT DOCUMENTS

2,025,101	A *	12/1935	Halpin	A45C 3/00 190/18 R
D289,106	S *	4/1987	Leiserson	D3/268
D360,526	S *	7/1995	Roncato	D3/276
D440,765	S *	4/2001	Spence, Jr.	D3/289
D442,368	S *	5/2001	Spence, Jr.	D3/289
D641,978	S *	7/2011	Sanz	D3/288
D839,594	S	2/2019	Molnar		
D940,455	S	1/2022	Ulfers et al.		
D950,950	S *	5/2022	Breines	D3/285

OTHER PUBLICATIONS

Amazon, "INSSTUID Gym Bag Duffle Bags Sports Travel Workout Bag", First reviewed Oct. 23, 2022. (<https://www.amazon.com/dp/B0BD5Y63LX>) (Year: 2022).*

Amazon, "INSSTUID Travel Duffle Bag for Men Women ", Accessed Nov. 21, 2022. (<https://www.amazon.com/dp/B0BGCD4C3F>) (Year: 2022).*

Amazon, "INSSTUID Travel Duffle Bag for Men Women ", Accessed Nov. 21, 2022. (<https://www.amazon.com/dp/B0BGCGG6PV>) (Year: 2022).*

* cited by examiner

Primary Examiner — April Rivas

(74) *Attorney, Agent, or Firm* — Che-Yang Chen; Law Office of Michael Chen

(57) **CLAIM**

The ornamental design for a gym bag, as shown and described.

DESCRIPTION

FIG. 1 is a perspective view of a gym bag showing my new design;

FIG. 2 is a perspective view thereof from another angle;

FIG. 3 is a front elevational view thereof;

FIG. 4 is a rear elevational view thereof;

FIG. 5 is a left side elevational view thereof;

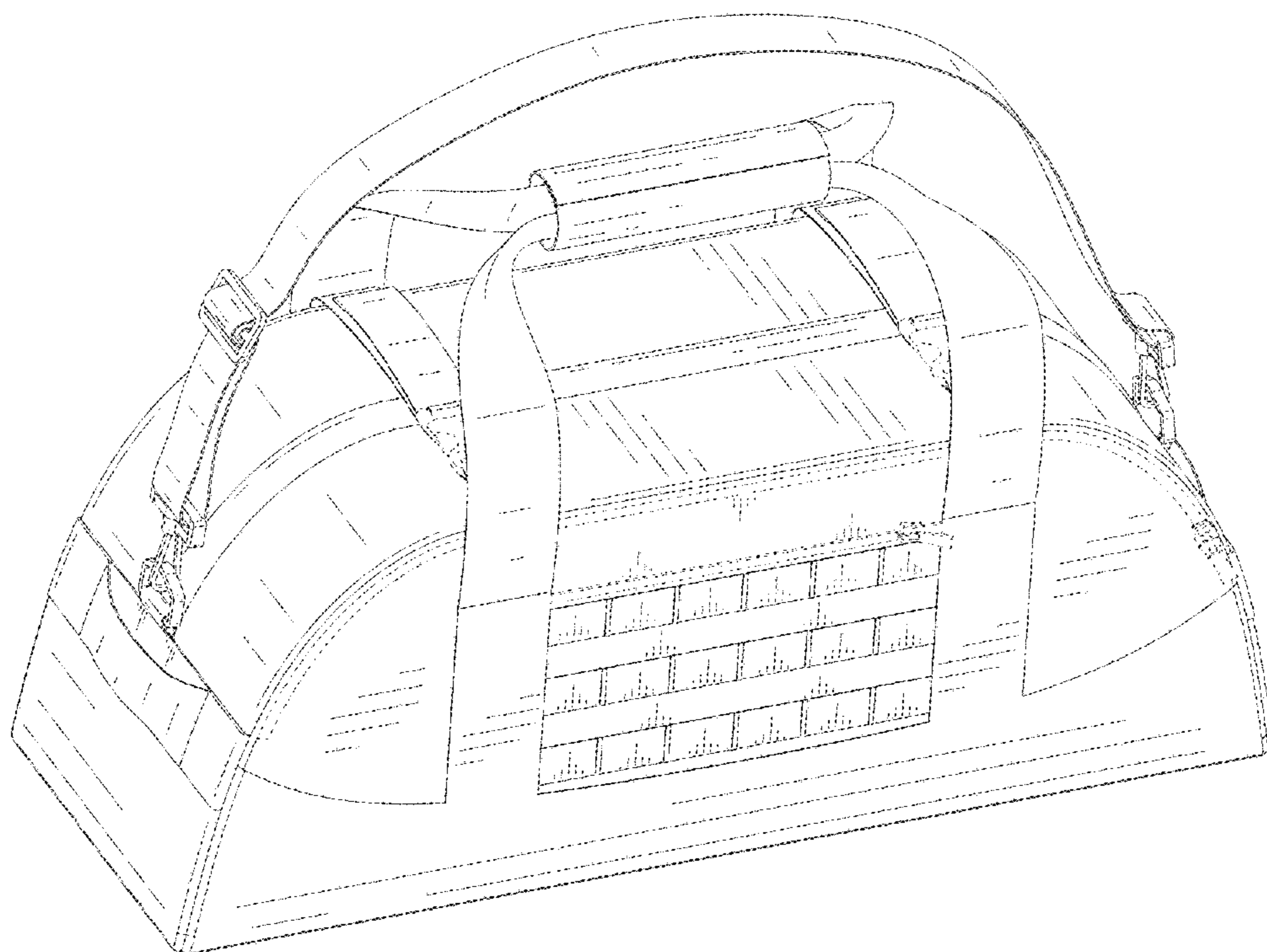
FIG. 6 is a right side elevational view thereof;

FIG. 7 is a top plan view thereof; and,

FIG. 8 is a bottom plan view thereof.

The broken lines shown in the drawings represent portions of the gym bag that form no part of the claimed design.

1 Claim, 8 Drawing Sheets



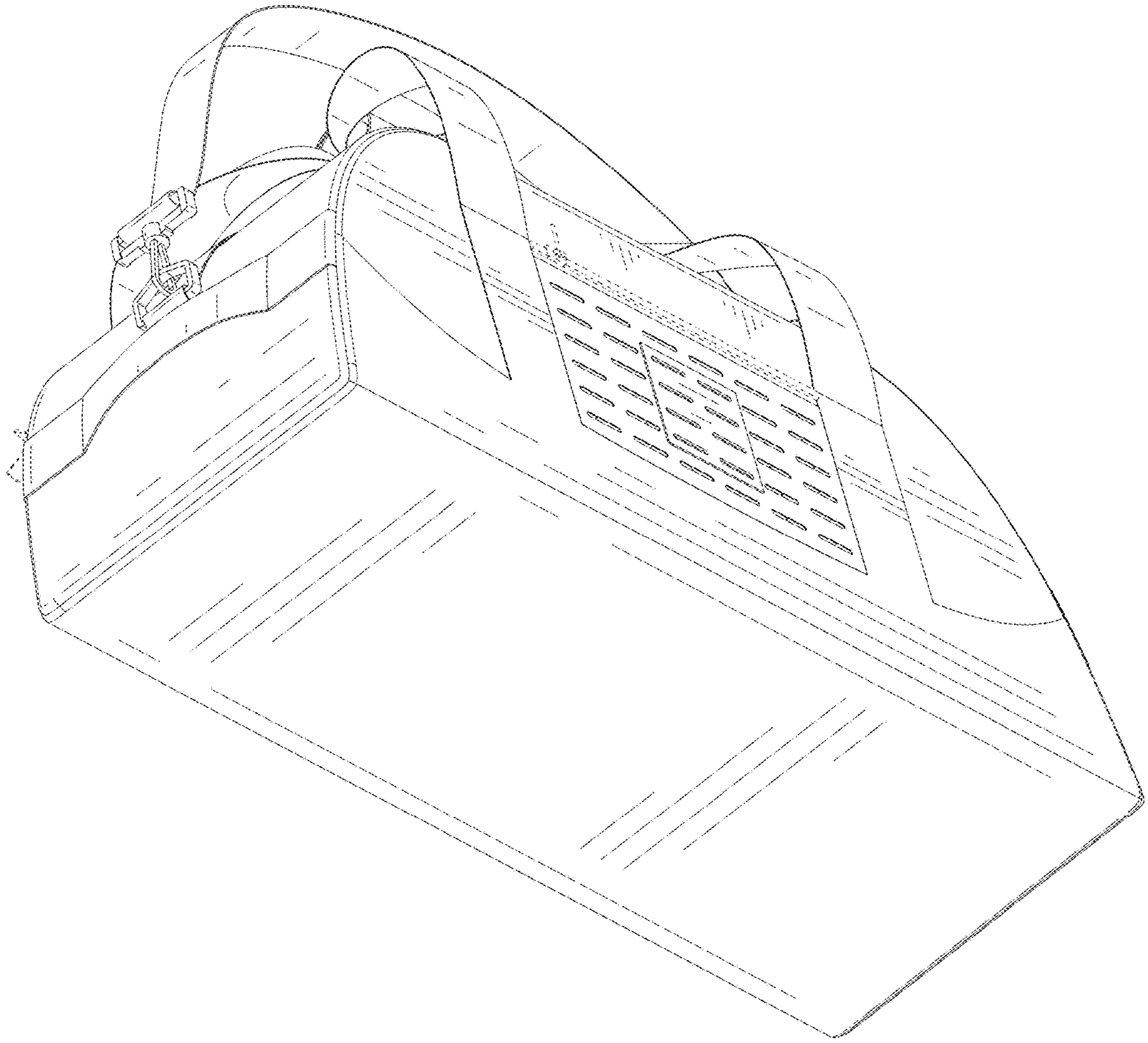


FIG. 1

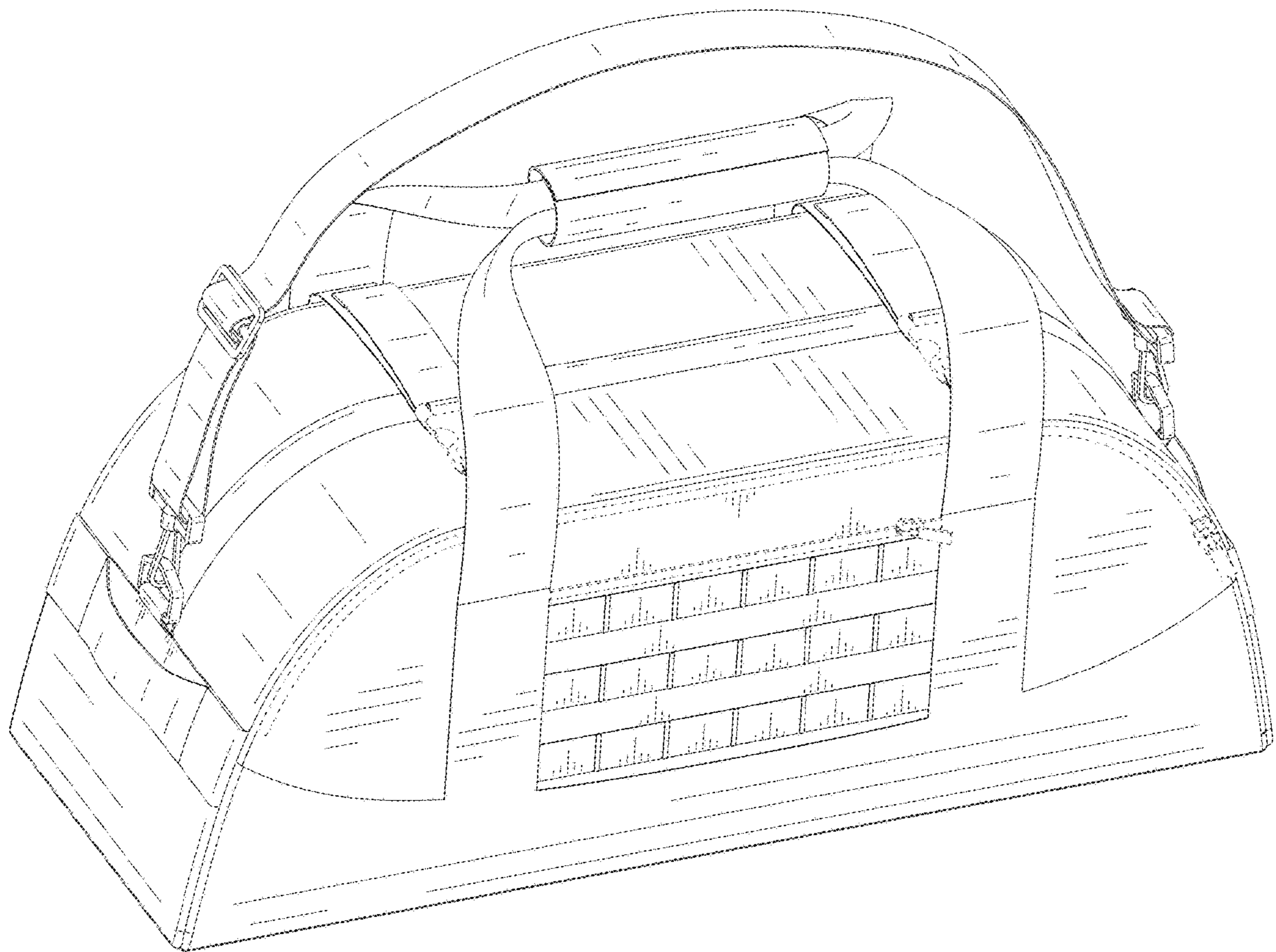


FIG. 2

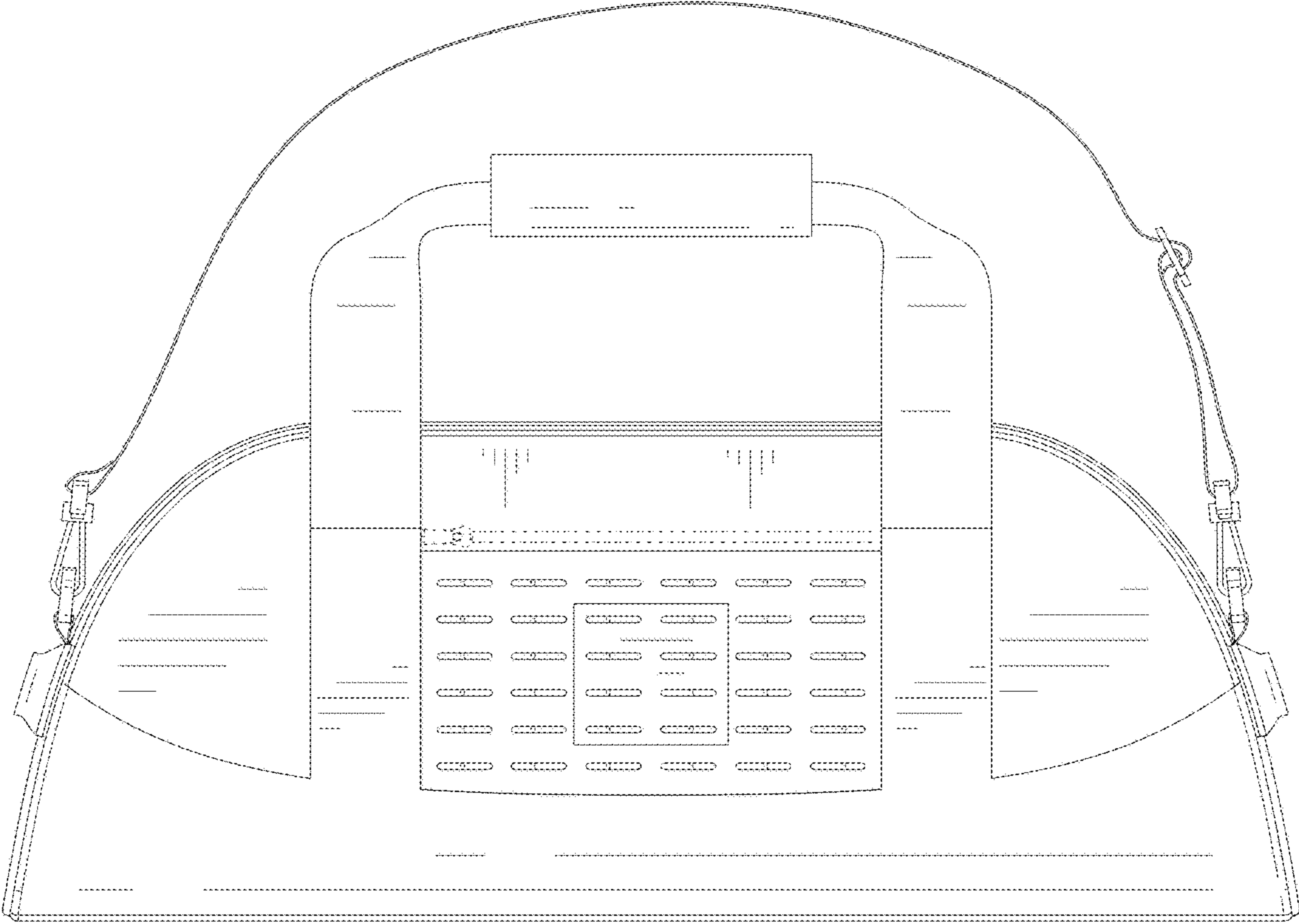


FIG. 3

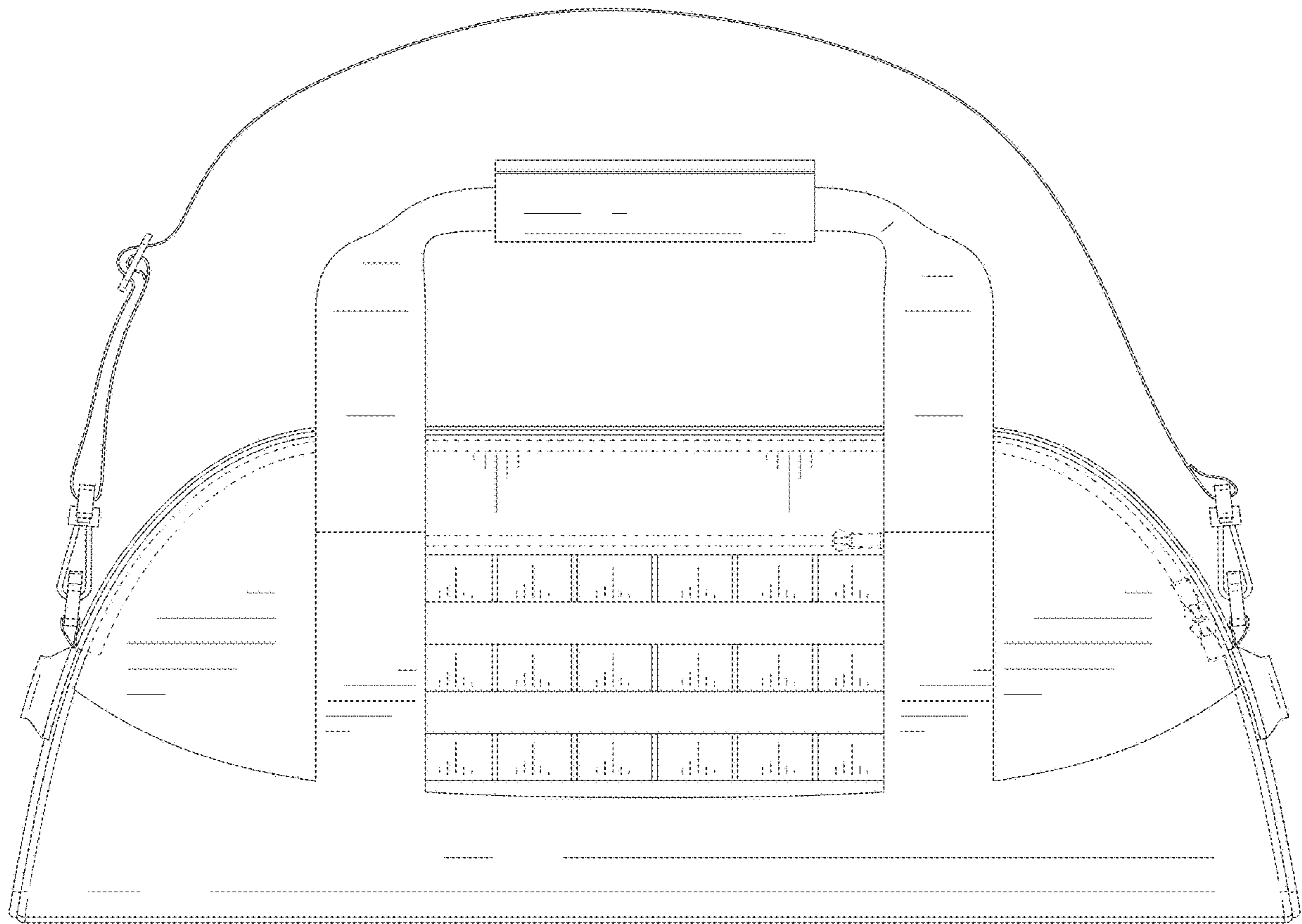


FIG. 4

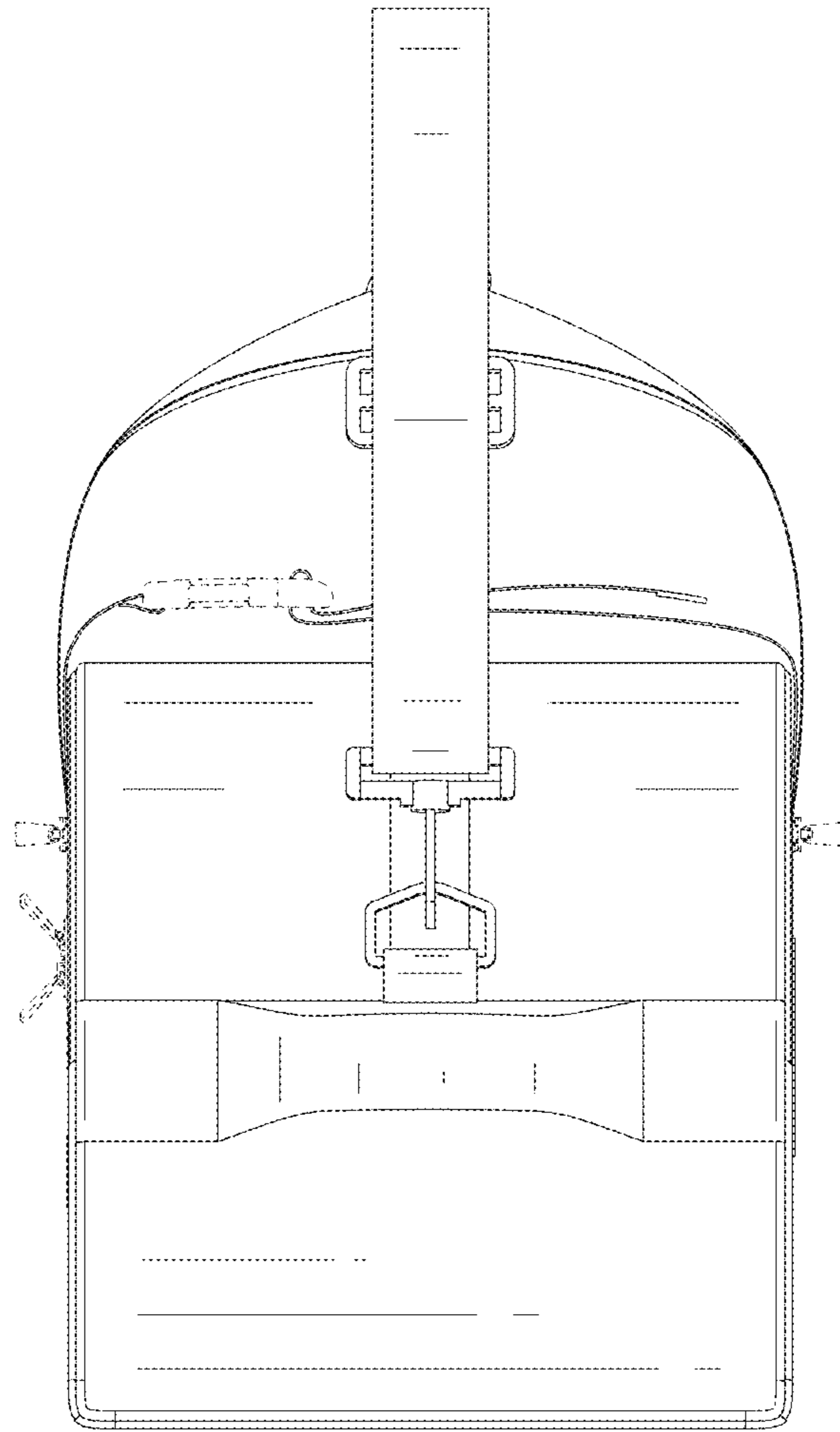


FIG. 5

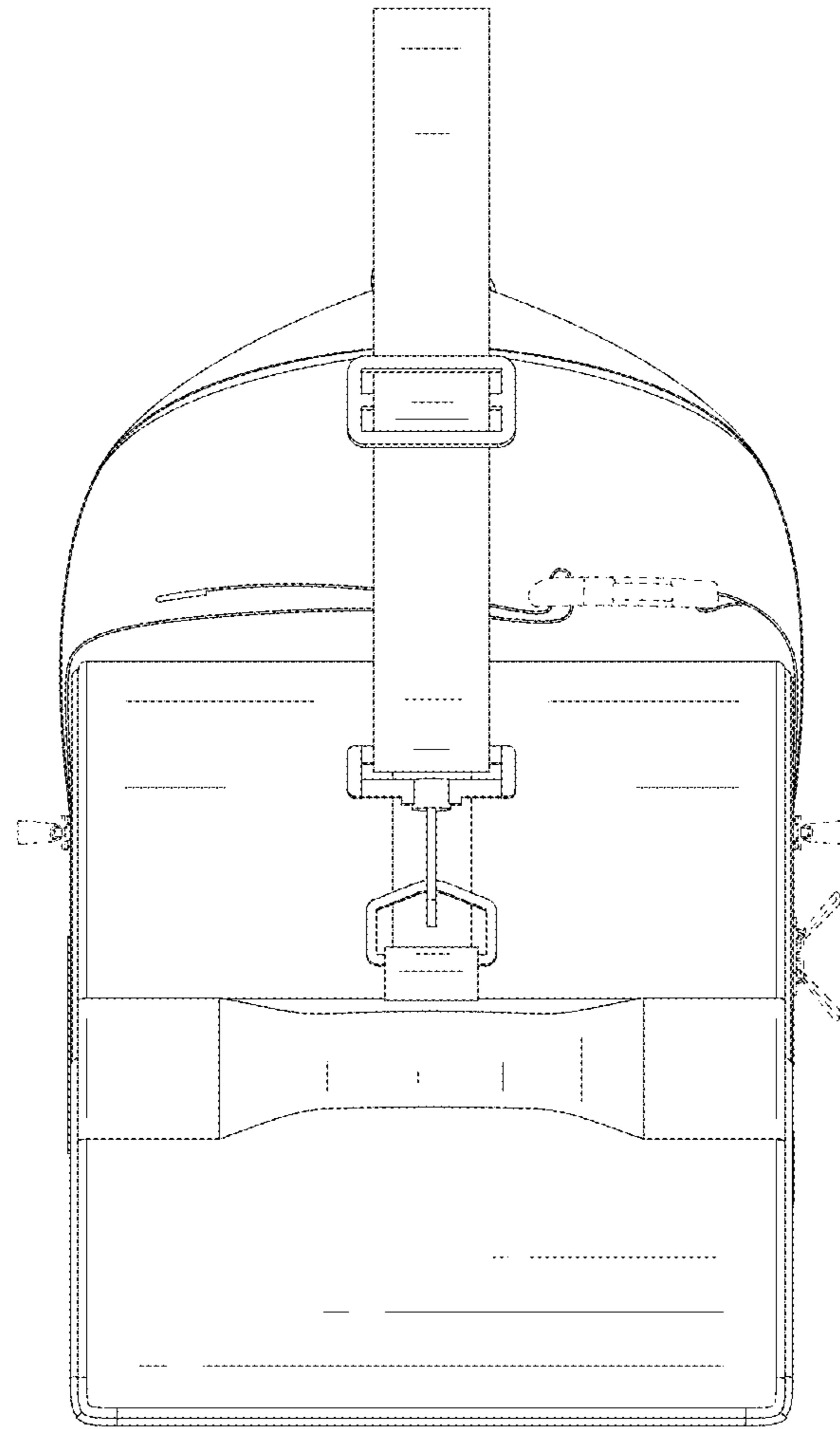


FIG. 6

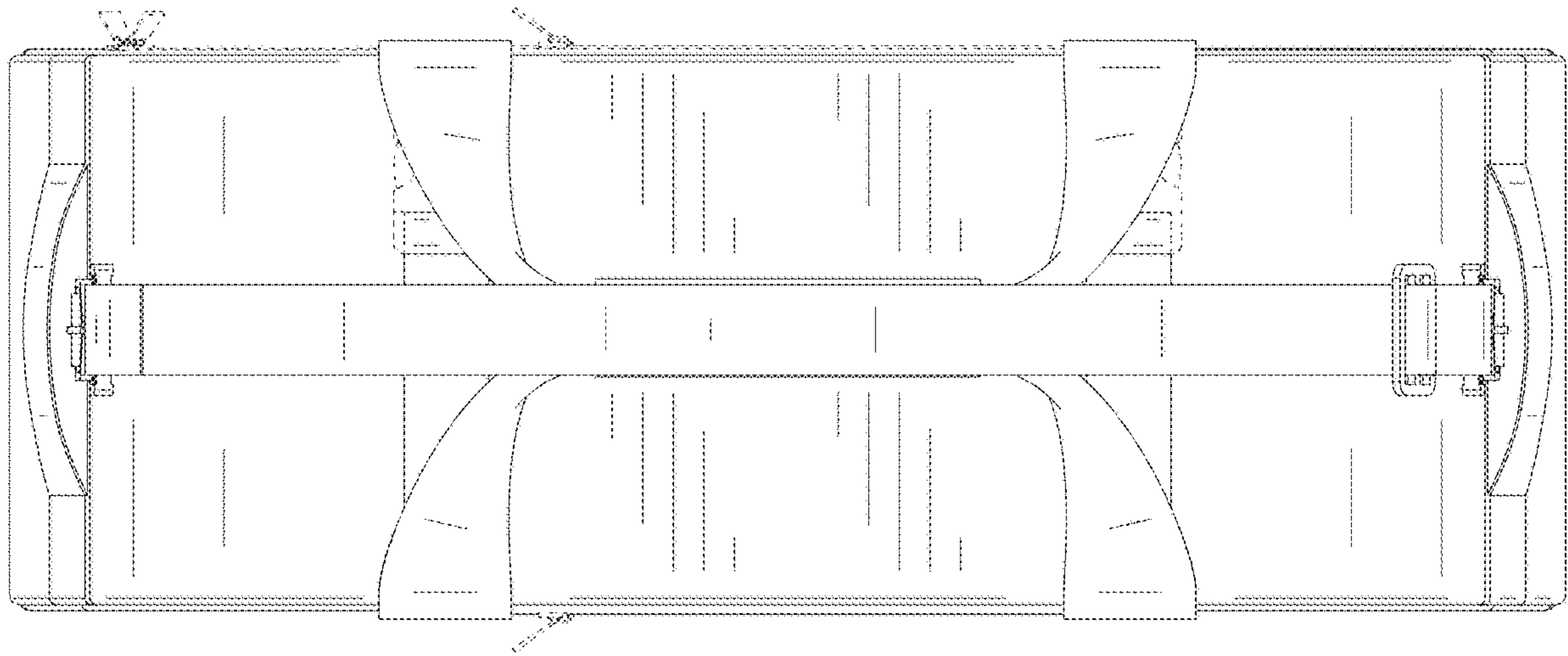


FIG. 7

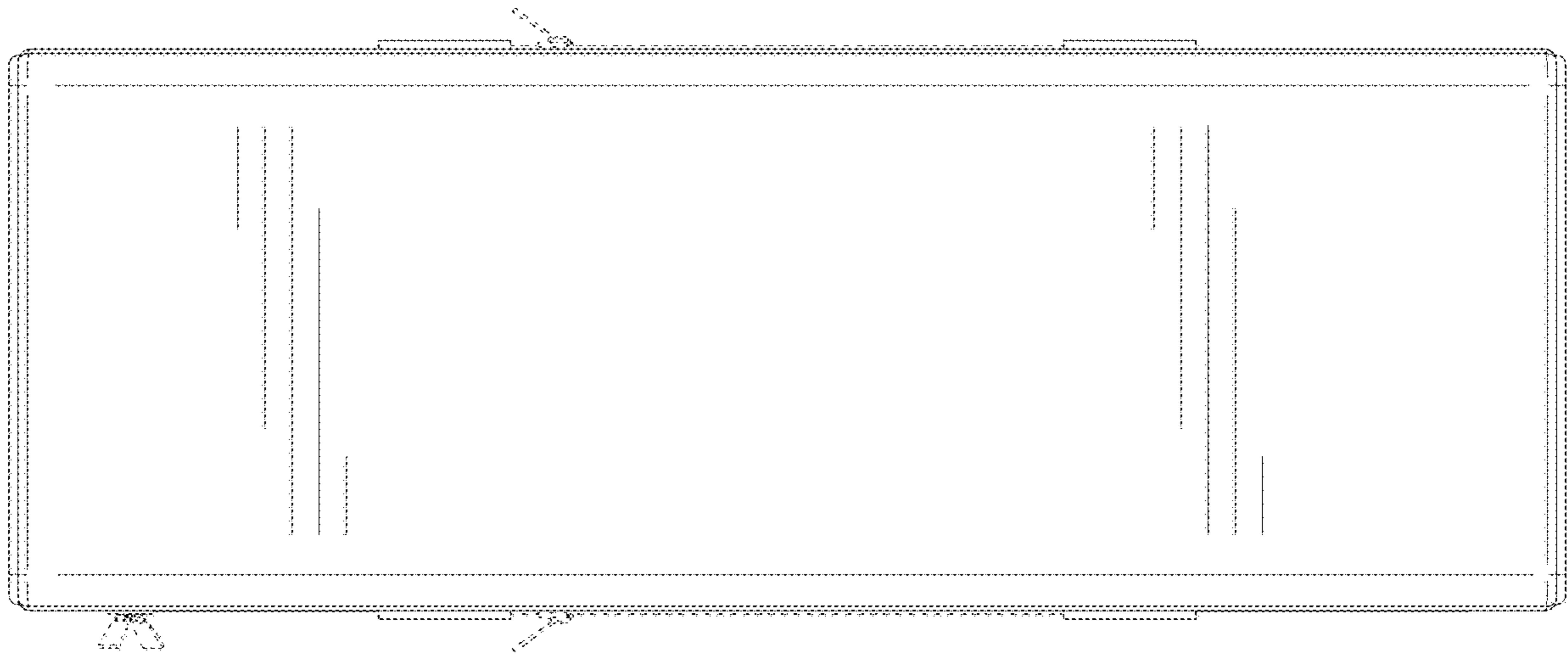


FIG. 8