



US00D982316S

(12) **United States Design Patent** (10) **Patent No.:** **US D982,316 S**
Miao (45) **Date of Patent:** **** Apr. 4, 2023**

(54) **ROLLING FISHING BACKPACK**

FOREIGN PATENT DOCUMENTS

(71) Applicant: **Yu Miao**, Hubei (CN)

CN 303154414 * 4/2015
CN 306165484 * 11/2020

(72) Inventor: **Yu Miao**, Hubei (CN)

(**) Term: **15 Years**

(21) Appl. No.: **29/807,313**

(22) Filed: **Sep. 10, 2021**

(51) **LOC (14) Cl.** **03-01**

(52) **U.S. Cl.**

USPC **D3/260**; D3/217; D3/279

(58) **Field of Classification Search**

USPC D3/216–217, 221, 225–226, 230, 254,
D3/259–260, 262, 269, 273, 276, 279,
D3/283, 286–287, 289–290, 301,
D3/904–905; D22/136

CPC .. B62B 1/26; B62B 1/12; B62B 1/262; B62B
1/008; A45C 5/14

See application file for complete search history.

(56) **References Cited**

U.S. PATENT DOCUMENTS

D387,625 S *	12/1997	Kai Fai	D3/279
D396,745 S	8/1998	Peterson		
D489,528 S *	5/2004	Ihenacho	D3/279
6,923,352 B2 *	8/2005	Oh	A45C 5/14 224/580
D517,804 S *	3/2006	Davenport	D3/279
D554,861 S *	11/2007	Udall	D3/290
D639,051 S	6/2011	Dare		
9,854,887 B2 *	1/2018	Yu	A45C 9/00
D889,821 S *	7/2020	Xu	D3/217
D912,974 S *	3/2021	Breines	D3/217
D915,762 S *	4/2021	Li	D3/217
D961,910 S *	8/2022	Yan	D3/217
2002/0145018 A1 *	10/2002	Godshaw	A45F 3/04 224/580
2003/0015559 A1 *	1/2003	Oh	A45C 5/14 190/18 R
2003/0213821 A1 *	11/2003	Oh	A45C 9/00 224/652

OTHER PUBLICATIONS

Rolling Fishing Tackle Bags with 4 Rod Holders, available no later than Mar. 17, 2022 based on customer photo reviews, amazon.com [online], [site visited Sep. 1, 2022], Available at URL: <https://www.amazon.com/dp/B09LGSSJHH/> (Year: 2022).*

(Continued)

Primary Examiner — Michelle E. Wilson

Assistant Examiner — Caitlin A Laverty

(74) *Attorney, Agent, or Firm* — ScienBiziP, P.C.

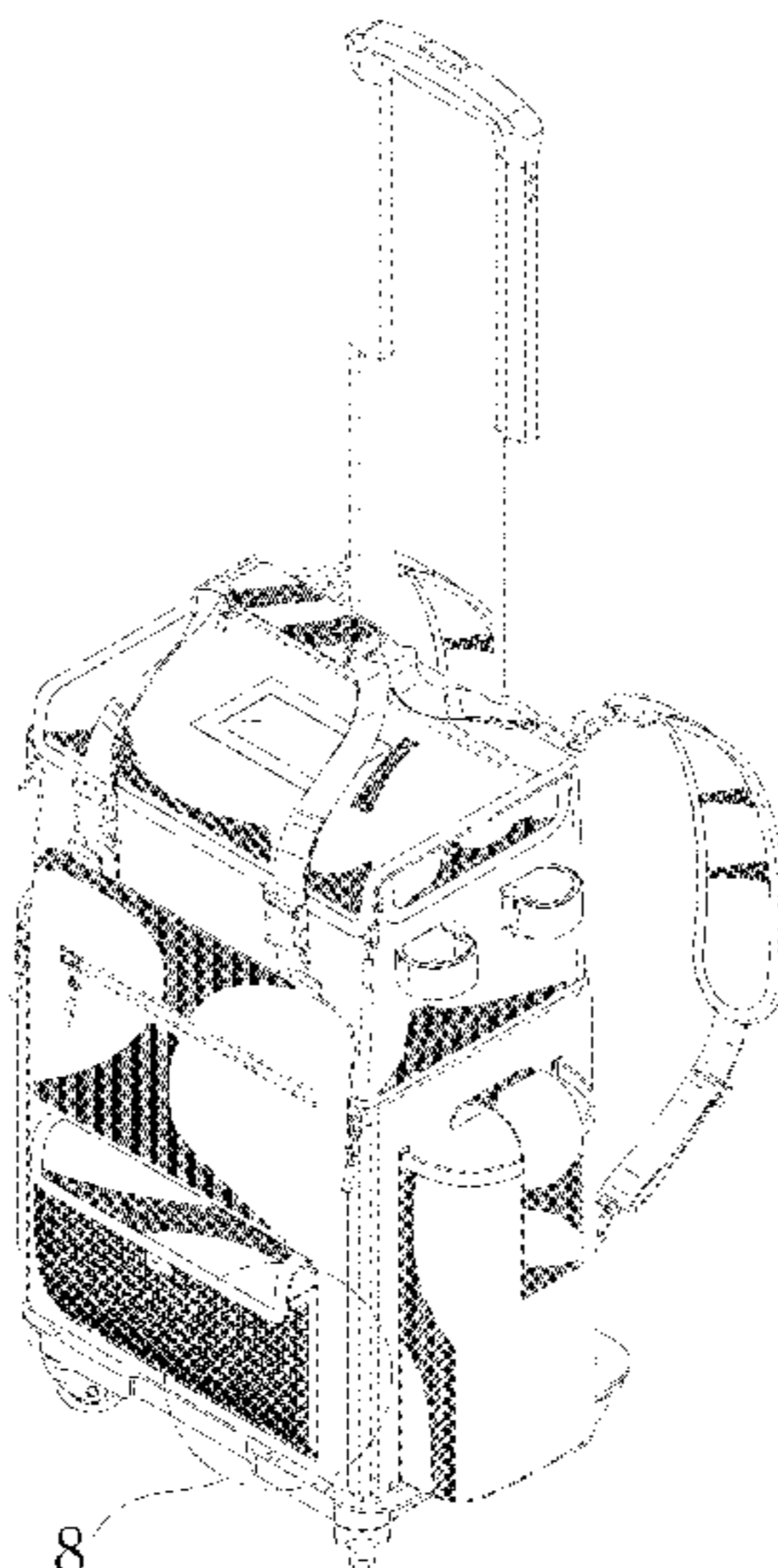
(57) **CLAIM**

The ornamental design for a rolling fishing backpack, as shown and described.

DESCRIPTION

FIG. 1 is a front, right, and top perspective view of a rolling fishing backpack, showing my design.
FIG. 2 is a front elevation view thereof.
FIG. 3 is a rear elevation view thereof.
FIG. 4 is a left side elevation view thereof.
FIG. 5 is a right side elevation view thereof.
FIG. 6 is a top plan view thereof.
FIG. 7 is a bottom plan view thereof; and,
FIG. 8 is a partial enlarged view of an area labeled 8 in FIG. 1 comprising a front pocket.
The broken lines shown in the drawings represent environmental structures that form no part of the claimed design.

1 Claim, 8 Drawing Sheets



(56)

References Cited

OTHER PUBLICATIONS

Calissa Offshore Tackle Recon Rolling Fishing Backpack, first available Sep. 17, 2018, amazon.com [online], [site visited Sep. 1, 2022], Available at URL: <https://www.amazon.com/Calissa-Offshore-Tackle-Rolling-Backpack/dp/B09YX6LJPZ?th=1> (Year: 2018).*

Elkton Outdoors Rolling Tackle Box with Wheels, first available Feb. 11, 2017, amazon.com [online], [site visited Sep. 1, 2022], Available at URL: <https://www.amazon.com/dp/B01N47GUHP/> (Year: 2017).*

* cited by examiner

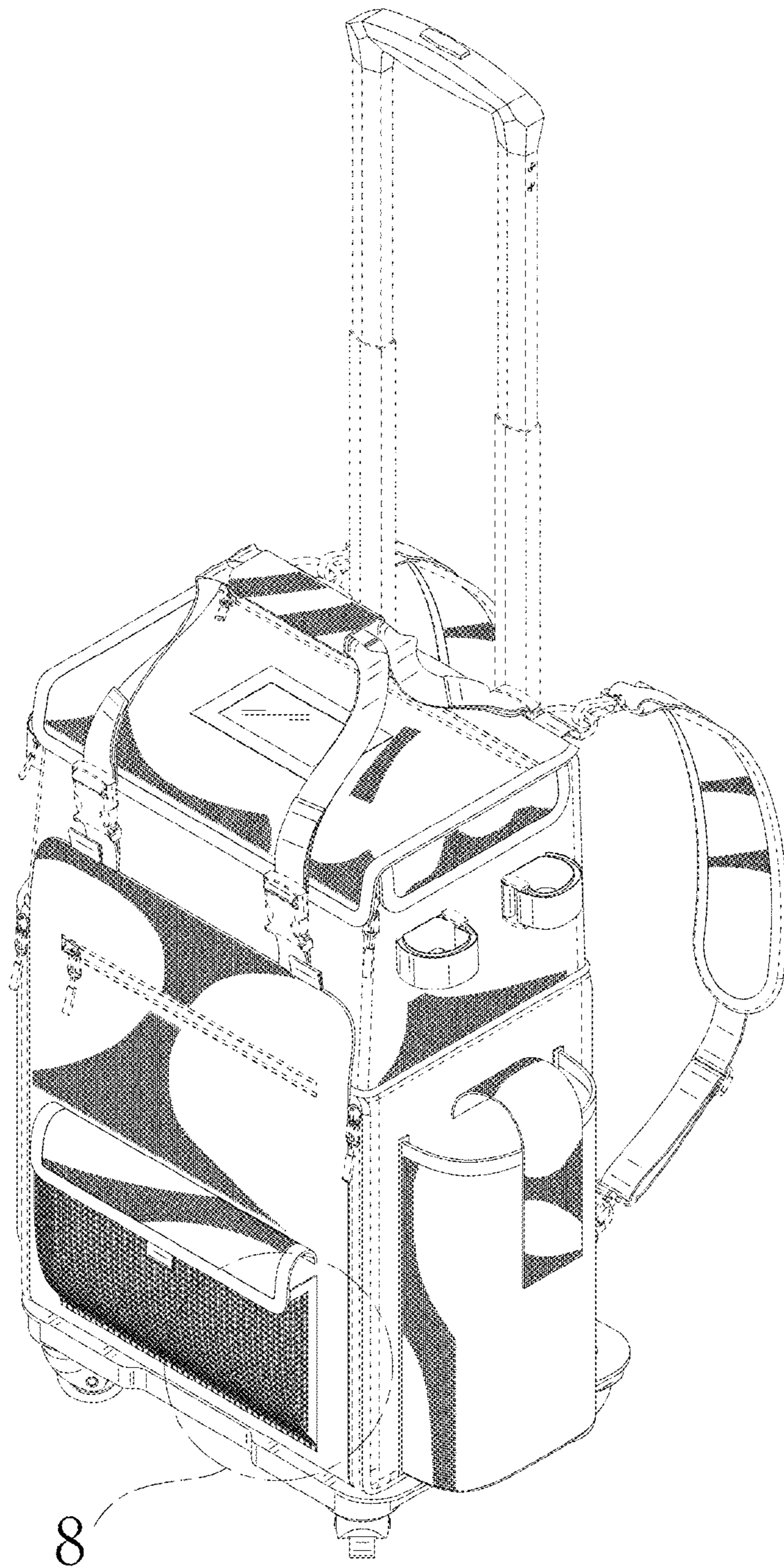


FIG. 1

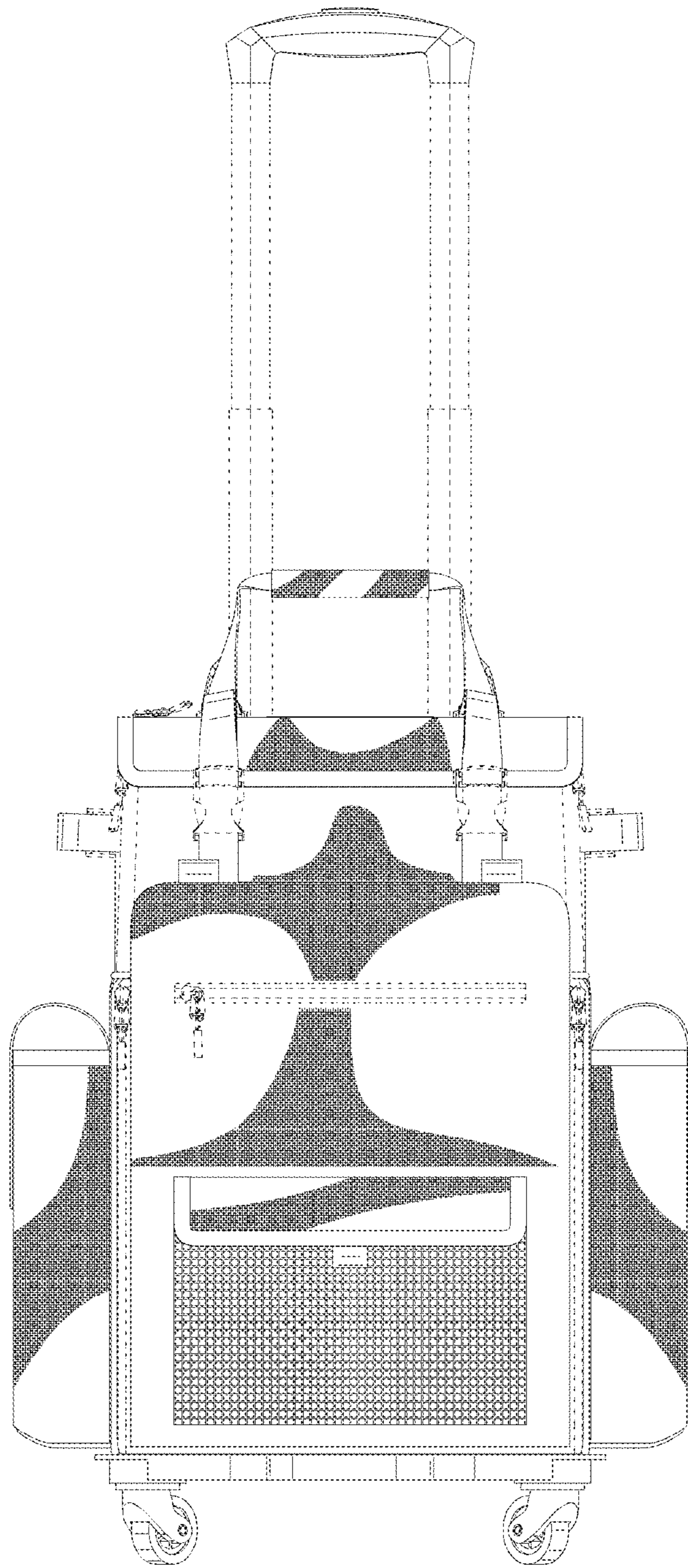


FIG. 2

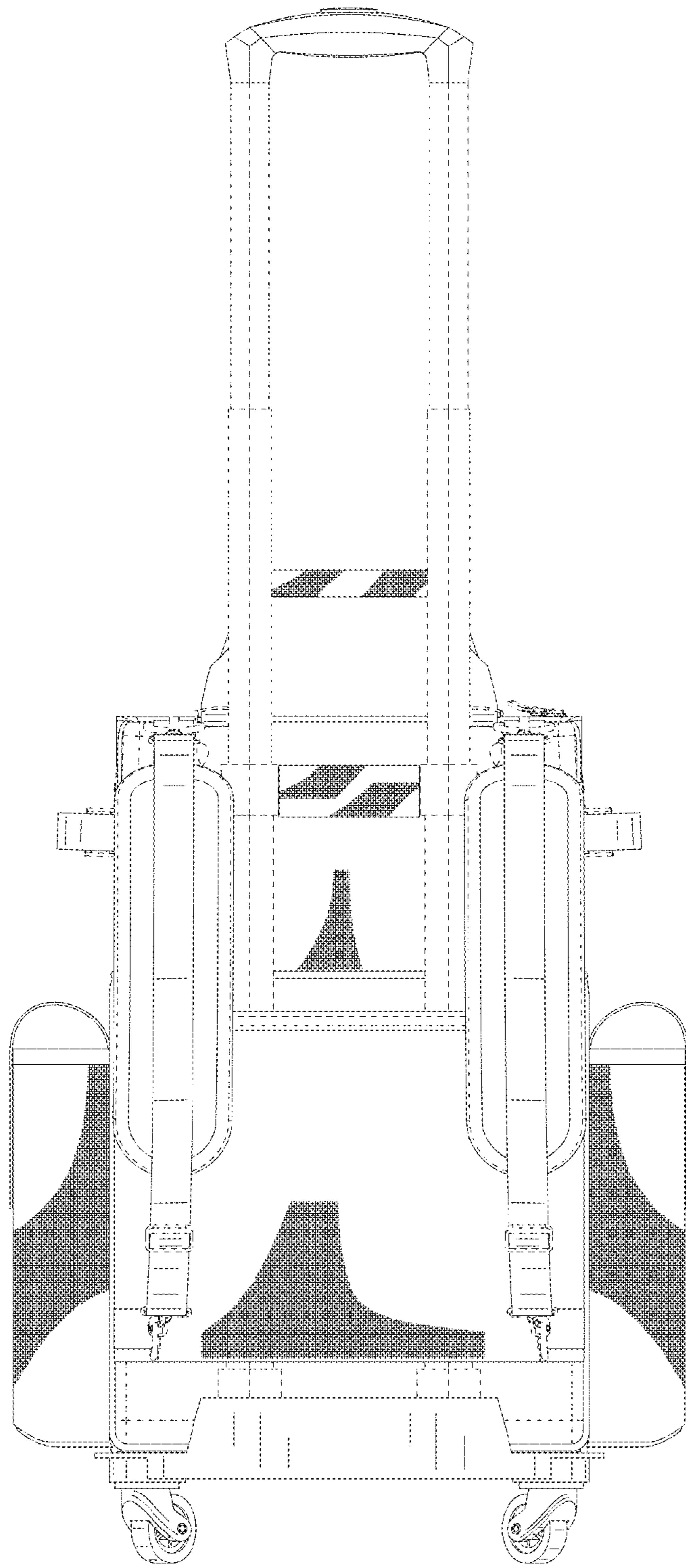


FIG. 3

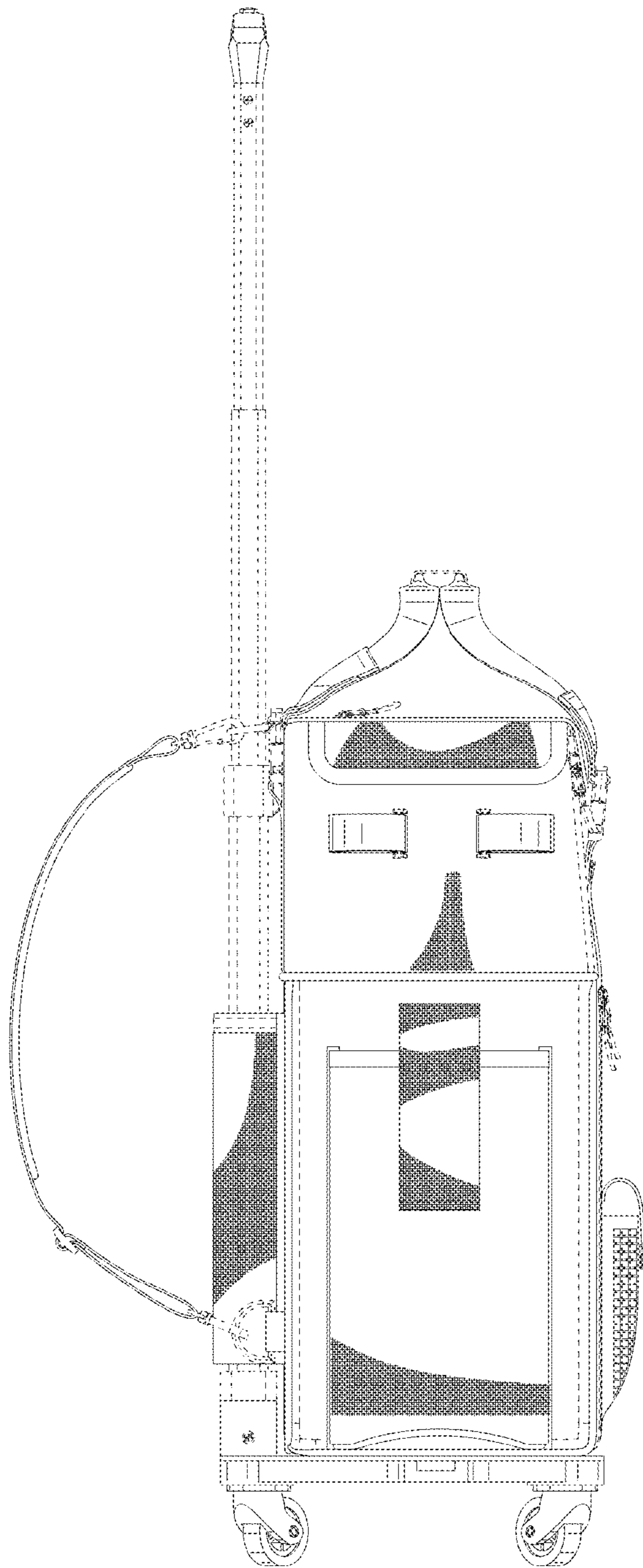


FIG. 4

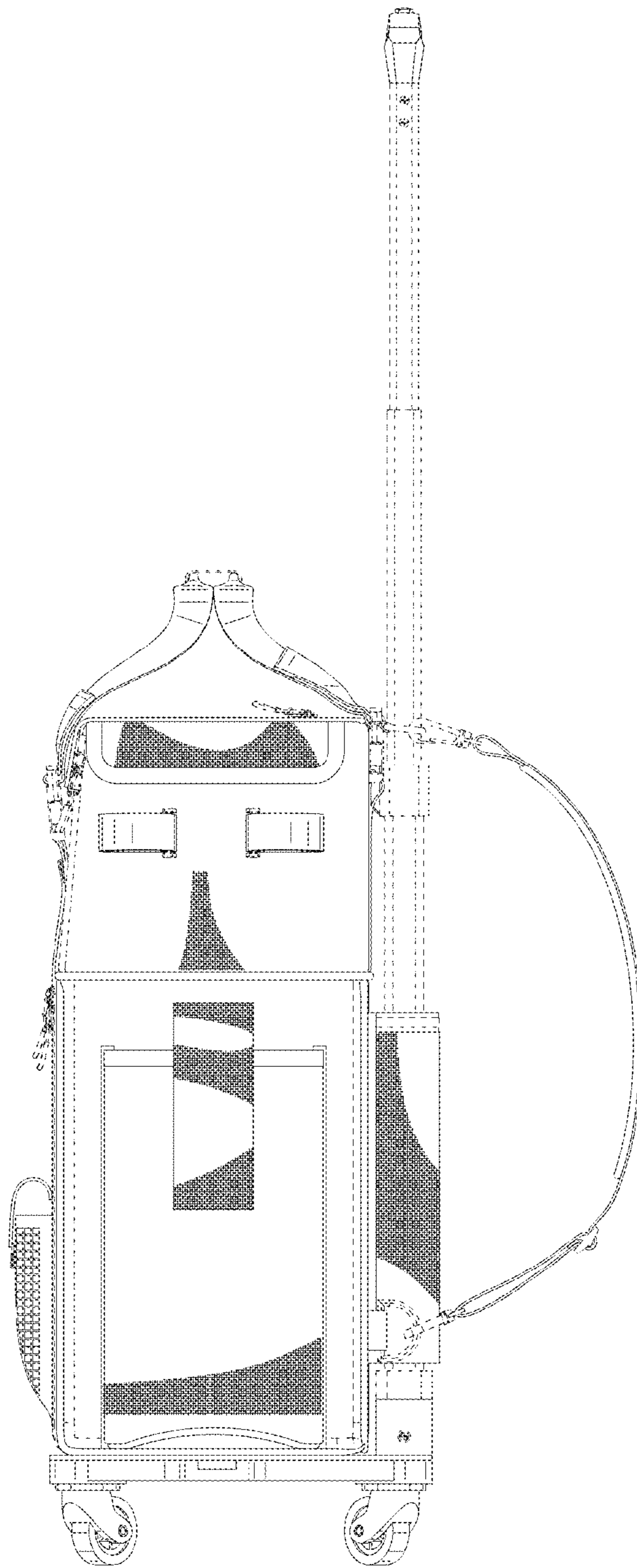


FIG. 5

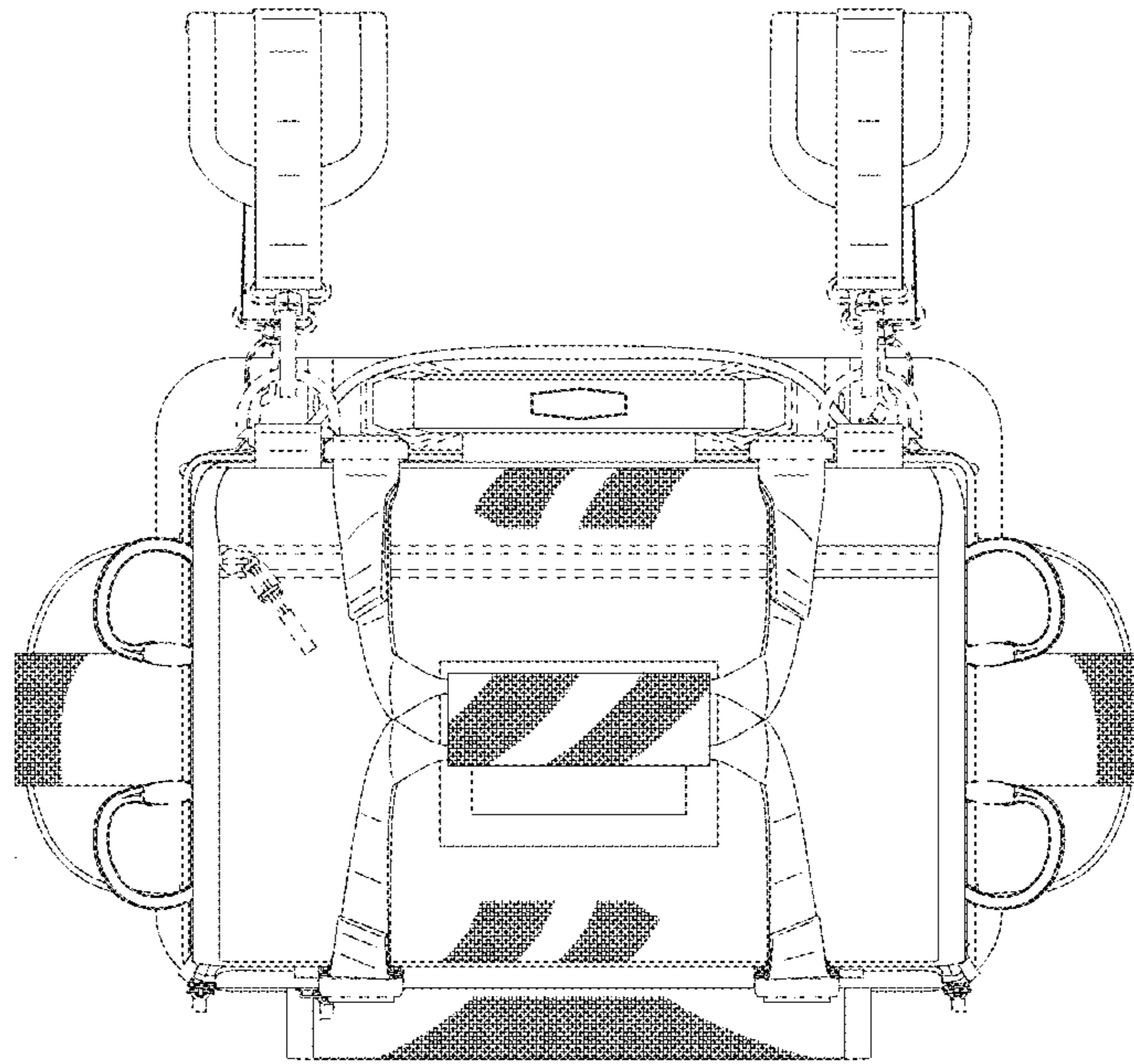


FIG. 6

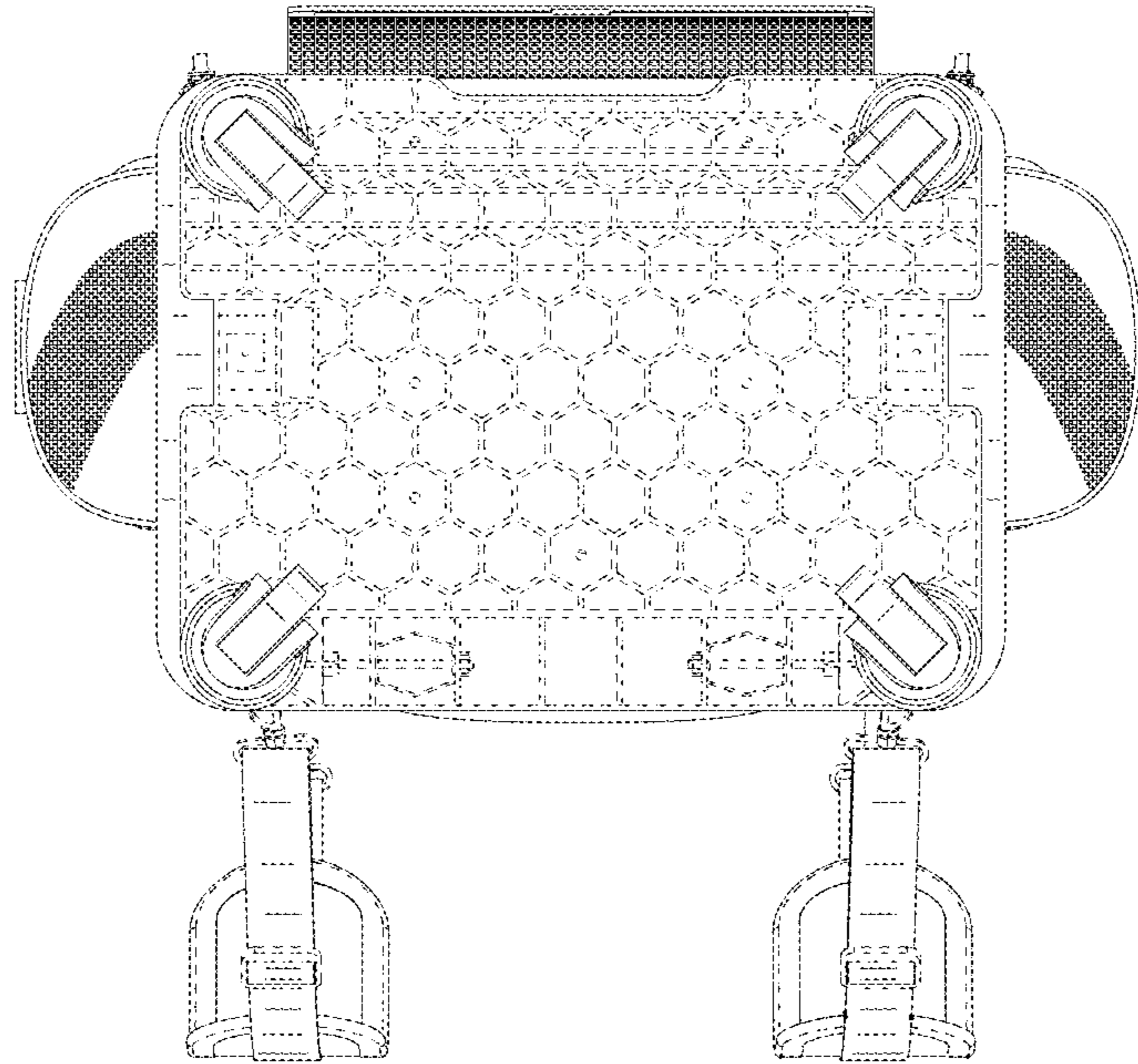


FIG. 7

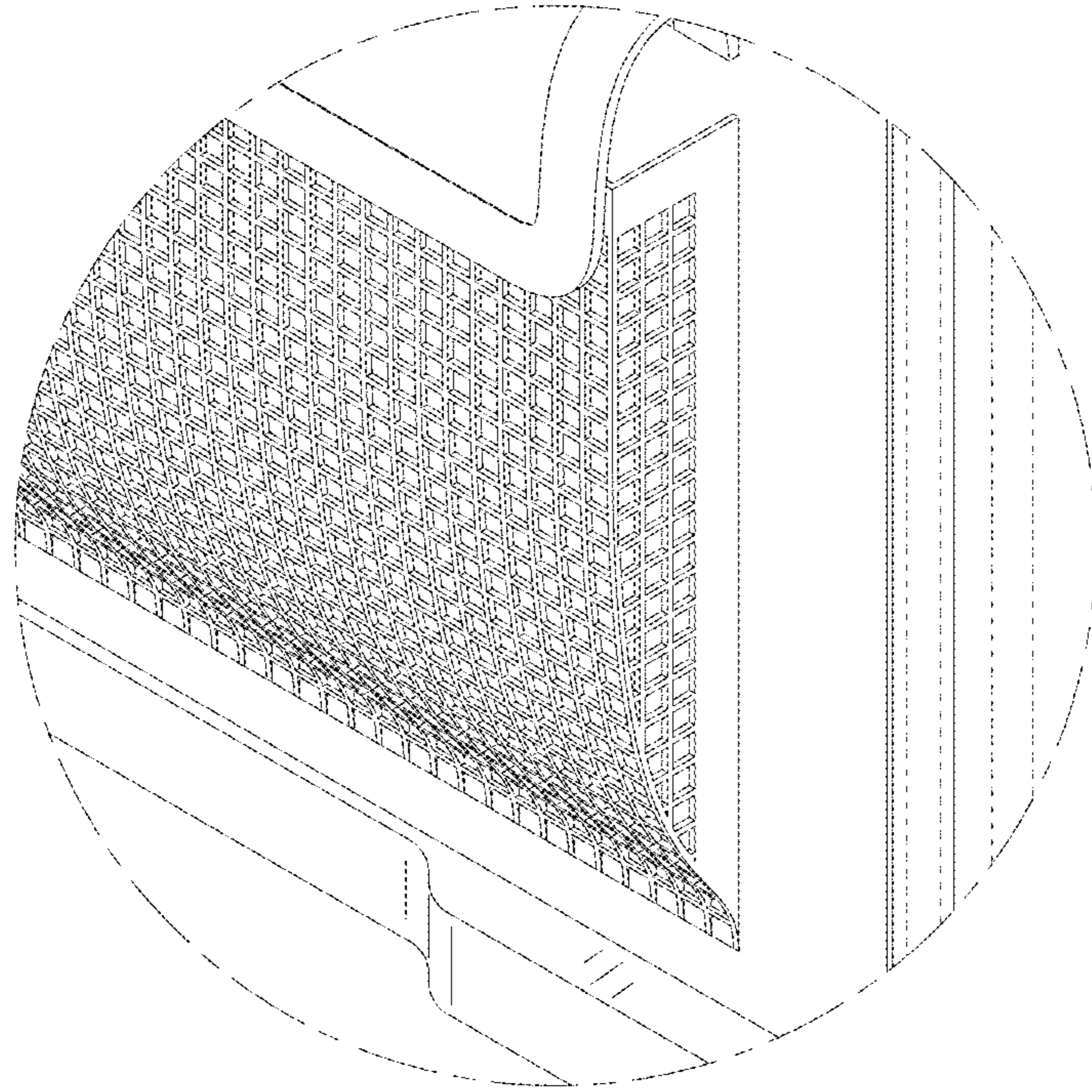


FIG. 8