



US00D982314S

(12) **United States Design Patent**
Tran et al.

(10) **Patent No.:** **US D982,314 S**
(45) **Date of Patent:** **** Apr. 4, 2023**

(54) **WALLET**

FOREIGN PATENT DOCUMENTS

(71) Applicant: **Dango Products, LLC**, Portola Valley, CA (US)

CA 2471793 4/2009
KR 101356236 2/2014
KR 20140003803 U 6/2014

(72) Inventors: **Thuan Tran**, Santa Clara, CA (US);
Charlie Carroll, Palo Alto, CA (US);
Binh Tran, Santa Clara, CA (US)

OTHER PUBLICATIONS

(73) Assignee: **Dango Products, LLC**, Portola Valley, CA (US)

“Dango Products—A10 Pull Pocket Adapter”, first available Feb. 17, 2021, Dango Products on YouTube.com, site visited Sep. 21, 2022: <https://www.youtube.com/watch?v=DTIdZDIBk2l> (Year: 2021).*

(Continued)

(**) Term: **15 Years**

Primary Examiner — Jennifer L Watkins

(21) Appl. No.: **29/815,386**

Assistant Examiner — Samantha Lynne Brodowski

(22) Filed: **Nov. 12, 2021**

(74) *Attorney, Agent, or Firm* — Gallium Law; Wesley Schwie, Esq.; Isabel Fox

Related U.S. Application Data

(63) Continuation-in-part of application No. 17/470,825, filed on Sep. 9, 2021, now Pat. No. 11,337,498, which is a continuation of application No. 17/227,204, filed on Apr. 9, 2021, now Pat. No. 11,178,947.

(57) **CLAIM**

The ornamental design for a wallet, as shown and described.

(51) **LOC (14) Cl.** **03-01**

DESCRIPTION

(52) **U.S. Cl.**
USPC **D3/247**

(58) **Field of Classification Search**
USPC D3/247–253, 303
CPC ... A45C 1/06; A45C 11/182; A45C 2001/065;
A45C 2001/067

See application file for complete search history.

FIG. 1 is a front, first side, and bottom perspective view showing an interior portion of a wallet in an open position embodying the new design;
FIG. 2 is a back, first side, and top perspective view showing an exterior portion thereof;
FIG. 3 is a front view thereof;
FIG. 4 is a back view thereof;
FIG. 5 is a first side view thereof;
FIG. 6 is a second side view thereof;
FIG. 7 is a top view thereof;
FIG. 8 is a bottom view thereof;
FIG. 9 is a front, first side, and bottom perspective view showing an exterior portion of the wallet in a closed position; and,
FIG. 10 is a back, first side, and top perspective view thereof.

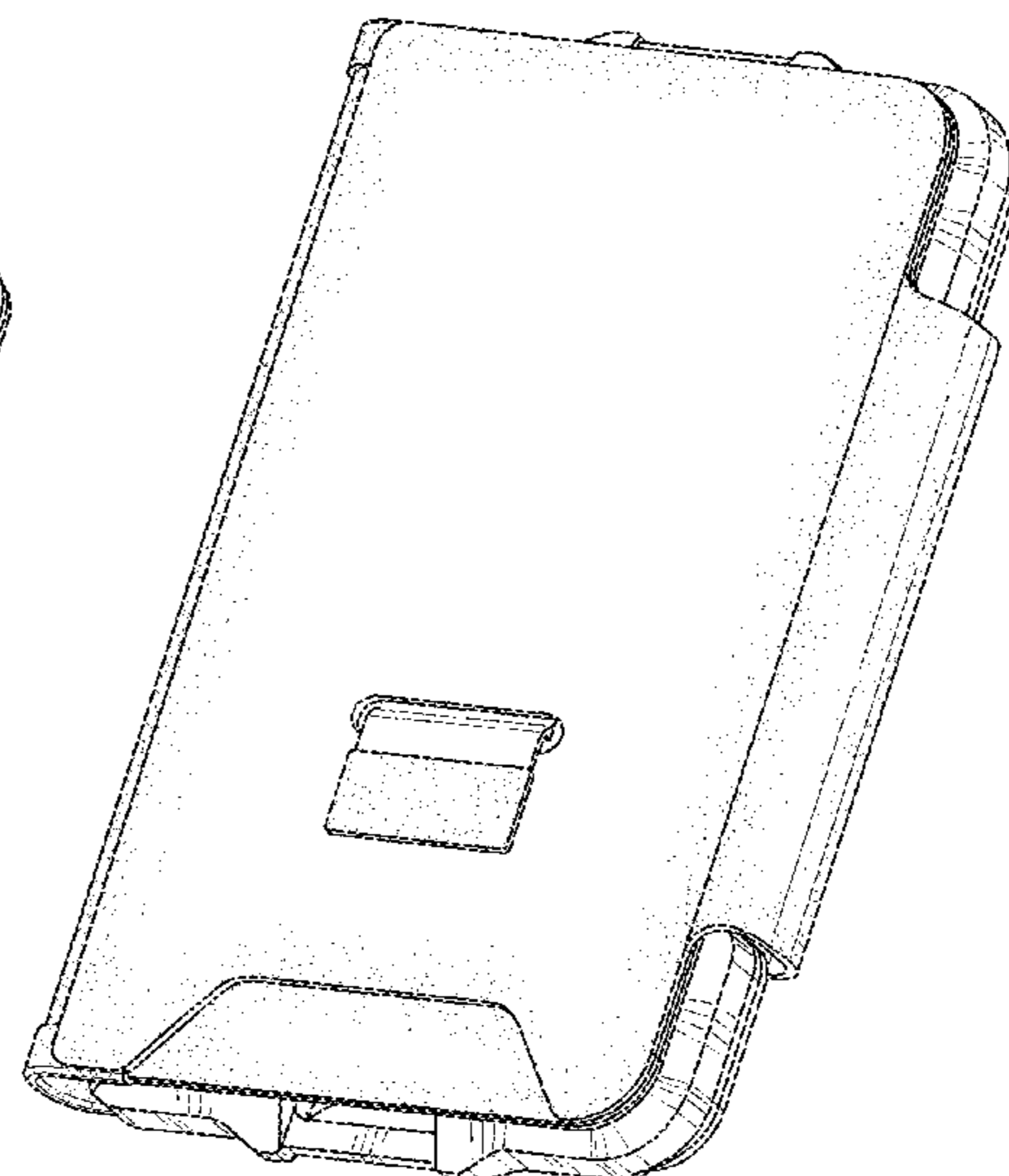
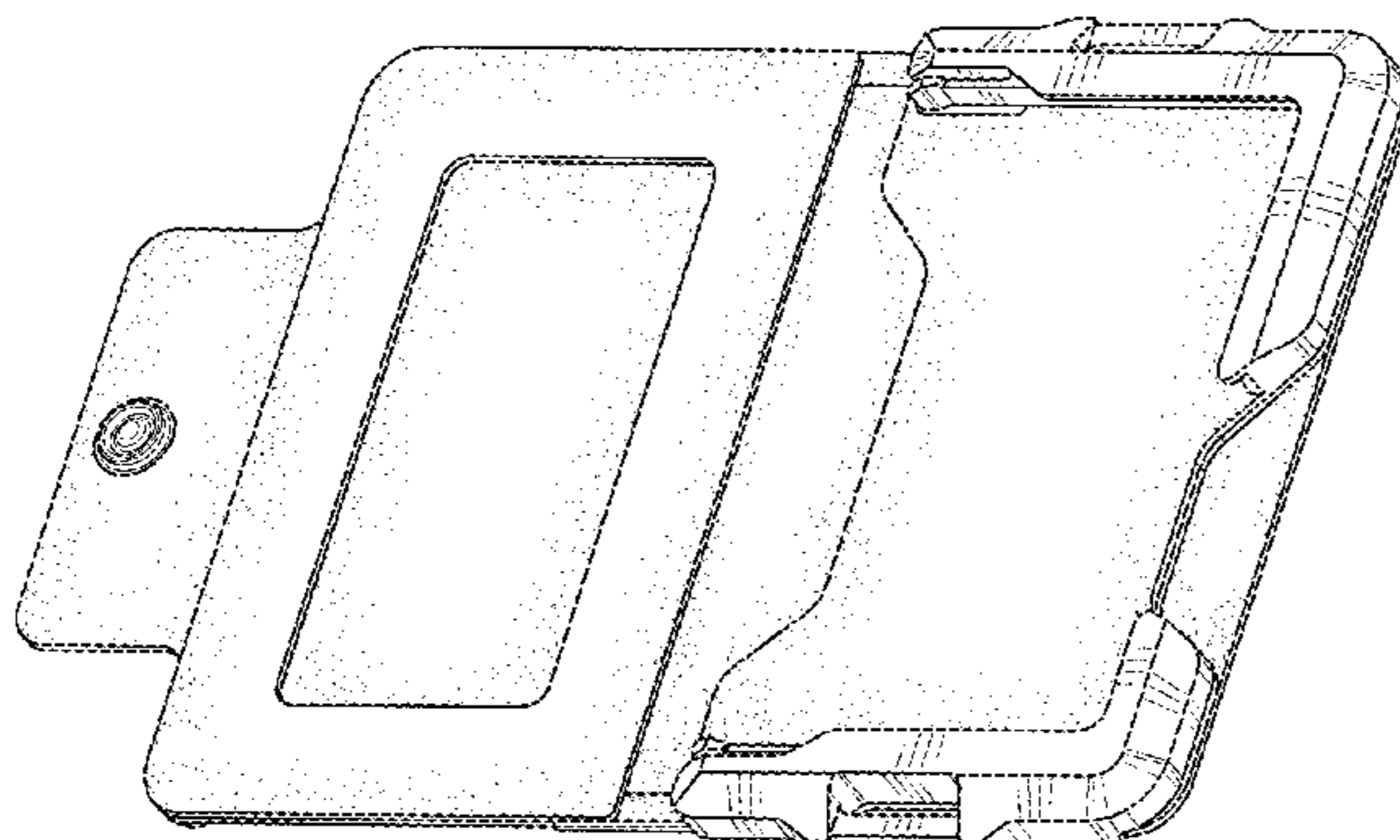
(56) **References Cited**

U.S. PATENT DOCUMENTS

4,705,086 A 11/1987 O'Neill
4,763,821 A 8/1988 Powell
D337,656 S 7/1993 Hostert
D384,499 S 10/1997 Gaestel
5,944,080 A 8/1999 Podwika
6,276,414 B1 5/2001 Bibb
D447,438 S 9/2001 Dilibero

(Continued)

1 Claim, 10 Drawing Sheets



(56)

References Cited

U.S. PATENT DOCUMENTS

6,427,837 B1 8/2002 Shields
 6,823,910 B1 11/2004 Elnekaveh
 7,334,616 B2 2/2008 Kaminski
 7,556,073 B2 7/2009 Lyons
 7,604,028 B2 10/2009 Bridgefarmer
 7,918,335 B1 4/2011 Kitchen
 8,251,210 B2 8/2012 Schmidt
 D690,931 S 10/2013 Minn
 8,567,459 B2 10/2013 Kitchen
 D701,043 S 3/2014 Minn
 8,726,952 B2 5/2014 Jambunathan
 8,763,795 B1 7/2014 Oten et al.
 8,776,846 B1 7/2014 Thompson
 8,863,793 B2 10/2014 Black
 D718,525 S 12/2014 Kim
 9,125,464 B2 9/2015 Minn
 D745,274 S 12/2015 Minn
 D750,888 S * 3/2016 Johnson D3/249
 9,339,094 B2 5/2016 Tucker-Skow
 D768,382 S 10/2016 Wu
 D770,775 S 11/2016 Robertson
 9,648,931 B2 5/2017 Sha
 9,661,908 B2 5/2017 Mayer
 D805,770 S 12/2017 Justiss
 D808,158 S 1/2018 King
 D809,792 S 2/2018 Moon
 9,907,375 B1 3/2018 Kitchen
 D818,708 S * 5/2018 An D3/247
 D828,025 S * 9/2018 Serman D3/247
 10,123,596 B2 11/2018 King
 D835,408 S 12/2018 Justiss
 D835,409 S 12/2018 Justiss
 D836,335 S * 12/2018 Serman D3/247
 D836,336 S * 12/2018 Serman D3/247
 10,368,618 B2 8/2019 Richards et al.
 D858,984 S * 9/2019 Zucco D3/247
 D860,645 S 9/2019 Wu
 D861,339 S 10/2019 Moon
 D866,964 S 11/2019 Tran
 D868,463 S 12/2019 Tran
 D869,843 S * 12/2019 Zhou D3/249
 D877,513 S 3/2020 Duncan
 10,595,611 B2 3/2020 Berkley
 D890,525 S 7/2020 Leh
 D891,101 S * 7/2020 Lv D3/249
 D891,767 S 8/2020 Lamb
 D895,963 S 9/2020 Anderson
 10,791,808 B2 10/2020 Kane
 D904,016 S 12/2020 Jacobsen
 D909,059 S 2/2021 Leh
 D915,765 S 4/2021 Quittner
 D933,360 S 10/2021 Qing
 D934,560 S 11/2021 Tran
 11,178,947 B2 11/2021 Tran
 D950,240 S * 5/2022 Tran D3/247
 D950,241 S * 5/2022 Tran D3/247
 D967,626 S * 10/2022 Tran D3/249
 D972,841 S * 12/2022 Tran D3/247
 2004/0148837 A1 8/2004 Lewis
 2005/0035006 A1 2/2005 Dohner
 2008/0314483 A1 12/2008 Armstong
 2009/0199940 A1 8/2009 Toner
 2013/0056119 A1 3/2013 Henriette
 2013/0276943 A1 10/2013 Kitchen
 2015/0257499 A1 9/2015 Muir et al.
 2016/0022000 A1 * 1/2016 Tucker-Skow A45C 11/182
 150/147
 2017/0035169 A1 2/2017 Haarburger
 2017/0055654 A1 3/2017 King
 2017/0119115 A1 5/2017 King
 2017/0135452 A1 5/2017 Kane
 2017/0224077 A1 8/2017 Mayer
 2018/0027935 A1 2/2018 Laatz
 2018/0332936 A1 * 11/2018 Serman A45C 11/182

2020/0305564 A1 10/2020 Myers
 2021/0330045 A1 10/2021 Tran
 2022/0225742 A1 * 7/2022 Tran A45C 11/182

OTHER PUBLICATIONS

Onward Innovation—“RFID Carbon Fiber Cash Strap Wallet”—Downloaded Apr. 9, 2021—Available from Internet <URL: <https://onwardinnovation.com/products/rfid-carbon-fiber-cash-strap-wallet?variant=31920056205360¤cy=USD>>.
 Ridge—“Aluminum—Black”—Downloaded Apr. 9, 2021—Available from Internet <URL: <https://ridge.com/products/aluminum-black?>>.
 Titan X—“Titan X | Pro Edition”—Downloaded Apr. 9, 2021—Available from Internet <URL: <https://titanxwallet.com/products/edition?currency=USD&variant=33003264409643>>.
 Alpine Swiss—“Alpine Swiss Genuine Leather Super Thing Slim Cash Strap Front Pocket Wallet”—Downloaded Apr. 9, 2021—Available from Internet <URL: <https://www.alpineswiss.com/alpine-swiss-genuine-leather-super-thin-slim-cash-strap-front-pocket-wallet/>>.
 Simple Zone—“Carbon Fiber Wallet for Men, Simple Zone RFID Blocking Slim Minimalist Card Holder Wallet with Money Clip and Cash Strap”—First available Jun. 18, 2020—Downloaded Apr. 9, 2021—Available from Internet <URL: <https://www.amazon.com/Carbon-Simple-Zone-Blocking-Minimalist/dp/B08BG4G8GJ>>.
 Dango Products—“T01 Tactical Bifold Wallet—Spec-Ops—Blueline”—Downloaded Apr. 9, 2021—Available from Internet <URL: <https://www.dangoproducts.com/products/t01-tactical-bifold-wallet-blueline-spec-ops?variant=21433891881044>>.
 Elephant Wallet—“N Wallet Carbon Fiber—Fabric Rubber”—Downloaded Mar. 17, 2021—Available from Internet <URL: <https://elephantwallet.com/products/n-wallet-carbon-fiber>>.
 Elephant Wallet—“How Does It Work (X Wallet)”—Downloaded Mar. 17, 2021—Available from Internet <URL: <https://elephantwallet.com/pages/how-does-it-work>>.
 Wallet Gear—“Bifold Leather Wallet with Elastic Band”—Downloaded Mar. 17, 2021—Available from Internet <URL: <https://www.walletgear.com/bifold-leather-wallet-with-elastic-band.html>>.
 Curated Basics—“Elastic Band Minimalist Wallet”—Downloaded Mar. 17, 2021—Available from Internet <URL: <https://www.curatedbasics.com/products/elastic-band>>.
 Dango Products—“Dango D03 Dapper Bifold EDC Wallet—Made in USA—Genuine Leather, Slim, Minimalist, Metal, RFID Blocking”—Downloaded Nov. 24, 2021—Available at least as of Apr. 22, 2021 (first review)—Available from Internet <URL: https://www.amazon.com/Dango-D03-Dapper-Bifold-Wallet/dp/B0925CV8CK?ref_ast_dp&th=1>.
 Dango Products—“D03 Dapper Bifold Wallet”—Downloaded Nov. 24, 2021—Available from Internet <URL: https://www.dangoproducts.com/products/d03-dapper-wallet?_pos=6&_sid=87be8627b&_ss=r>.
 Dango Products—“Dango Products: D03 Dapper Bifold Wallet”—Video by user Dango Products—First available Apr. 20, 2021—Downloaded Nov. 24, 2021—Available from Internet <URL: <https://www.youtube.com/watch?v=QSL33ABQcoY>>.
 Nomatic—Wallet—Downloaded Nov. 11, 2021—Available from Internet <URL: https://www.nomatic.com/products/wallet?variant=29792289849416¤cy=USD&utm_medium=product_sync&utm_source=google&utm_content=sag_organic&utm_campaign=sag_organic>.
 Distil—Wally Bifold Classic—Downloaded Nov. 11, 2021—Available from Internet <URL: <https://distilunion.com/products/wally-bifold-classic?currency=USD&variant=39371173199935>>.
 Enigma—Enigma Dapper PU Leather Bifold Front Pocket Slim Wallet for Men, Aluminum Metal Travel Tactical RFID Blocking Card Holder Money Clip, Ideal Men’s Gift—Available at least as of Jul. 13, 2021; Downloaded Nov. 12, 2021—Available from Internet <URL: https://www.amazon.com/ENIGMA-Leather-Aluminum-Tactical-Blocking/dp/B097RCJJVJ/ref=sr_1_16_sspa?keywords=muradin+wallet&qid=1636704177&sr=8-16-spons&psc=1&spLa=

(56)

References Cited

OTHER PUBLICATIONS

ZW5jcnlwdGVkUXVhbGlmaWVyPUEyOEG4VII3S0ZWWVQ4JmVuY3J5cHRIZElkPUEwOTUxNjAwM0tYUEZINVo5SlQ5TyZlbmNyeXB0ZWZlZkPUEwNDI4MTA1MUI5MDRRMTJQWFB SRSZ3aWRnZEROYW1lPXNwX210ZiZhY3Rpb249Y2xpY2tSZWRpcmVjdCZkb05vdExvZ0NsWNRpXRYdWU=>.

Anvi Original—MiniCap 1.0/2.0 Mens RFID Blocking Front Pocket Minimalist Slim Wallet With Pull Tab Money Clip—Date first available: Sep. 14, 2018; Downloaded Nov. 11, 2021 from <https://www.amazon.com/Minicap1-0-Blocking-Pocket-Minimalist-Wallet/dp/B07HCD1BRR>.

Leatheram—Handmade pull up card holder, leather credit card case with pull tab, minimalist wallet, thin minimal wallet—Available at least as of Dec. 14, 2019; Downloaded Nov. 11, 2021 from <https://www.etsy.com/listing/235786494/handmade-pull-up-card-holder-leather?gpla=1&gao=1&>.

Enigma—Muradin Chocolate Front Pocket Wallet for Men Travel Tactical bifold RFID Blocking Aluminum Metal Leather Money Cards Holder Ideal Men's Gift—Available at least as of Jul. 6, 2021; Downloaded Nov. 12, 2021 from https://www.amazon.com/MURADIN-Chocolate-Tactical-Blocking-Aluminum/dp/B097SKPGJP/ref=sr_1_1_sspa?keywords=muradin&qid=1636704123&sr=8-1-spons&psc=1&spLa=ZW5jcnlwdGVkUXVhbGlmaWVyPUEzNkpTNVM5Vk5CWEFWJmVuY3J5cHRIZElkPUEwOTk5MDAzODg4RUNERkkMZd0JmVuY3J5cHRIZEFKSWQ9QTaxOTE4NTclSkxJV0ZDMUpRMDImd2lkZ2V0TmFt1zcF9hdGYmYWN0aW9uPWNSaWNrUmVkaXJlY3QmZG9Ob3Rmb2dDbGljaz10cnV1.

* cited by examiner

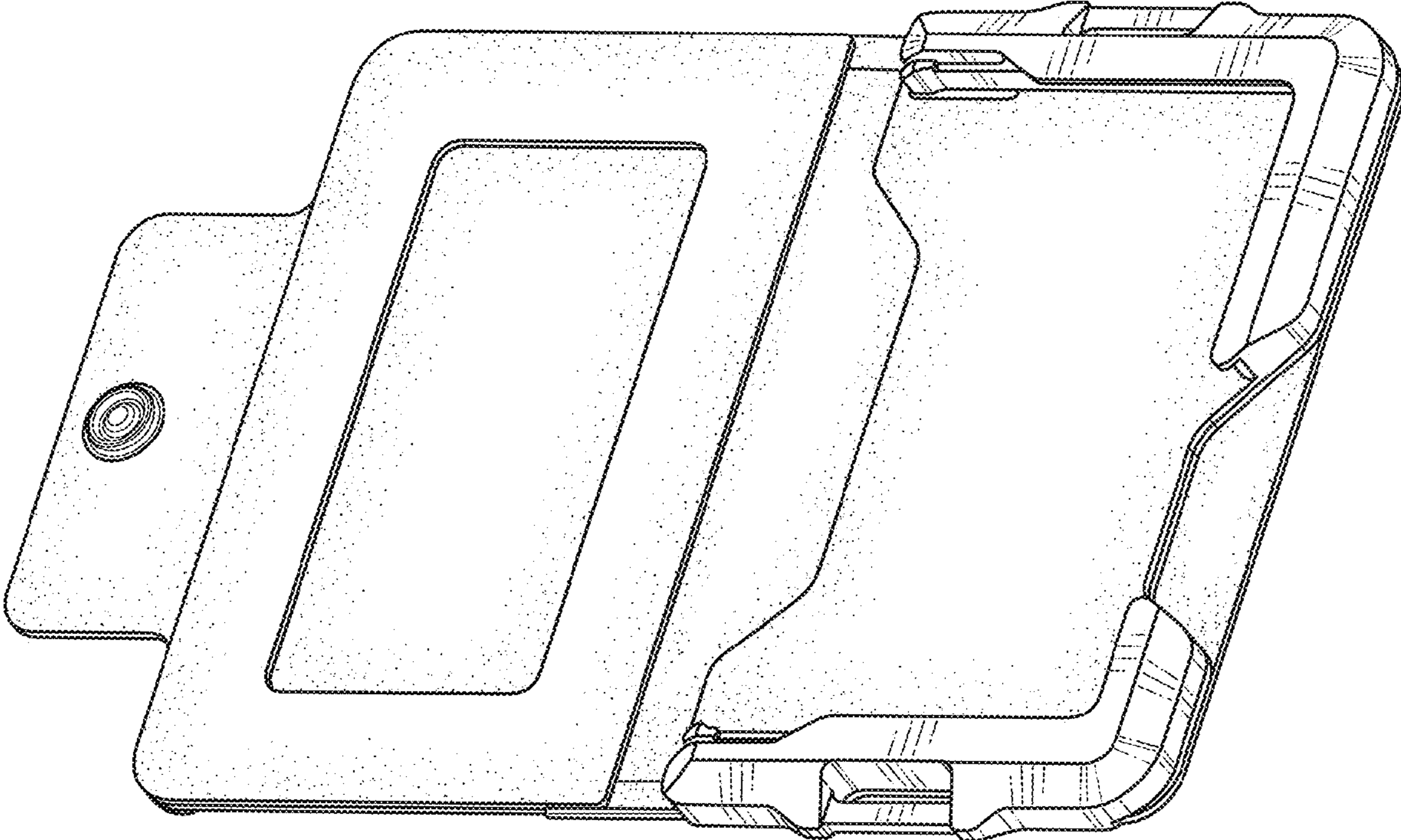


FIG. 1

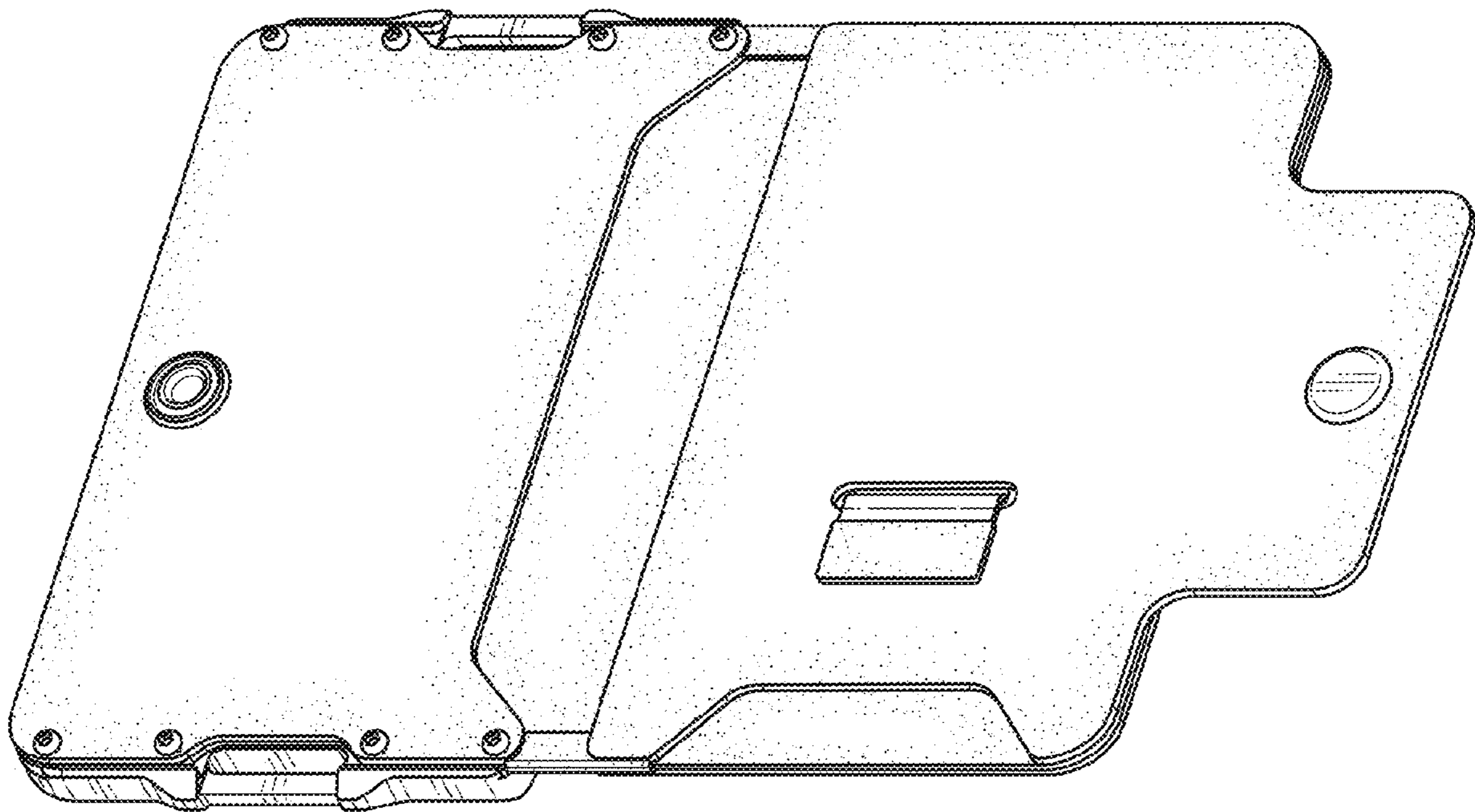


FIG. 2

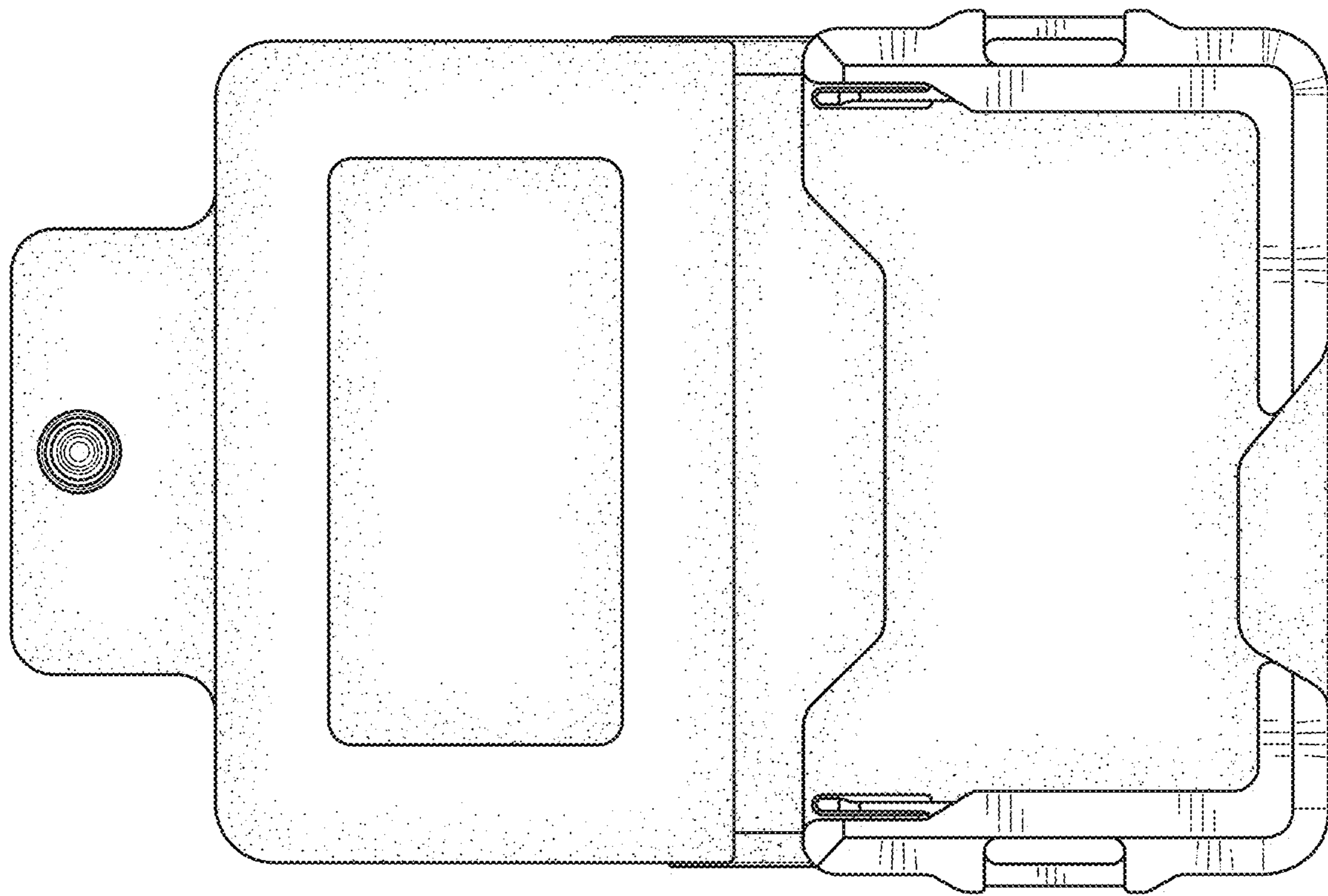


FIG. 3

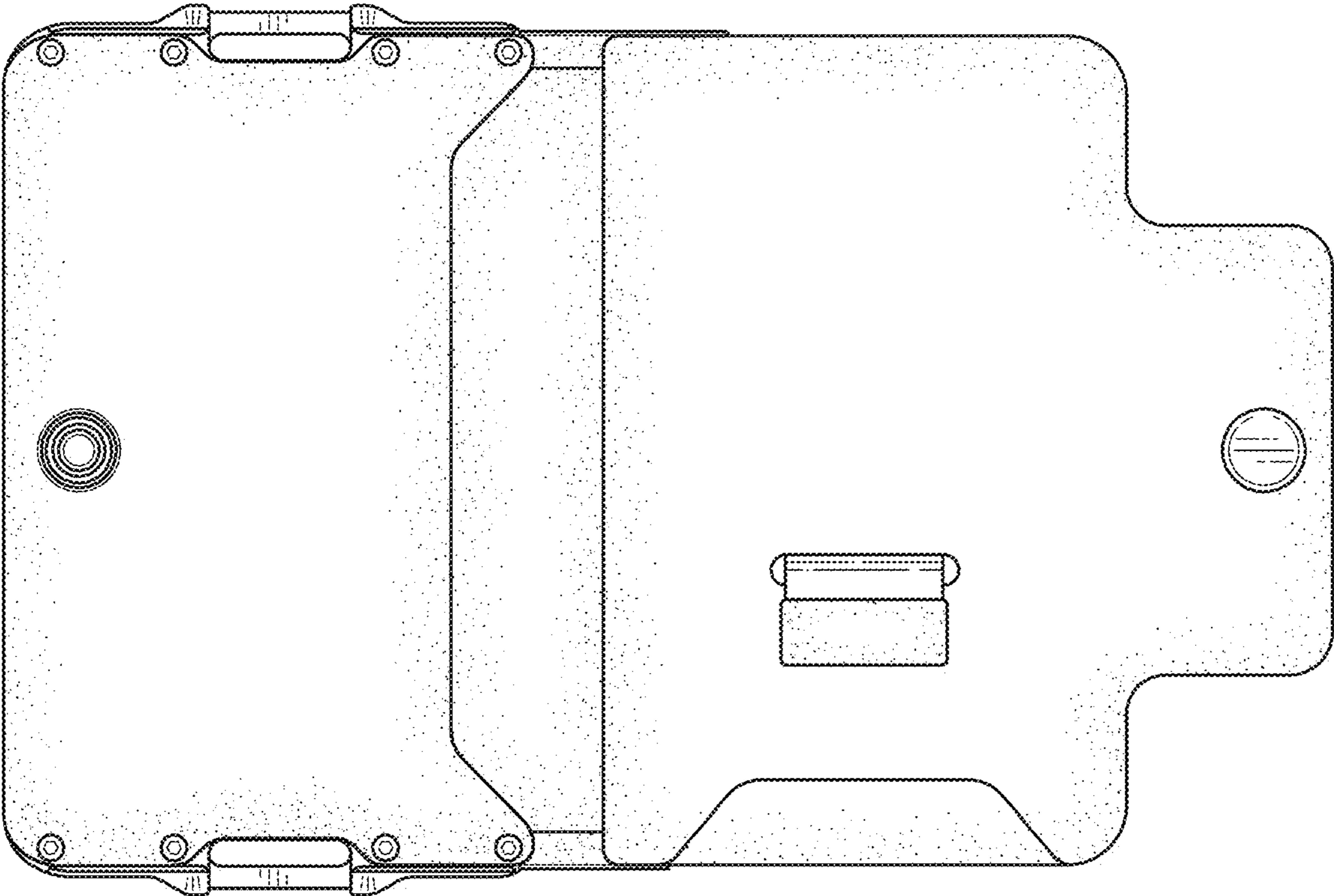


FIG. 4

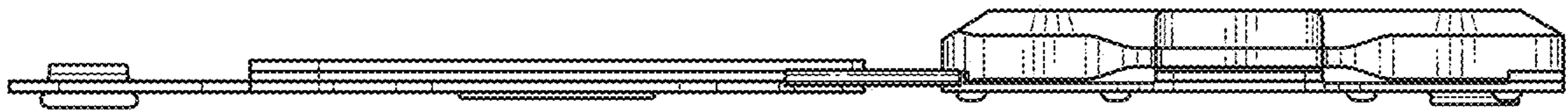


FIG. 5

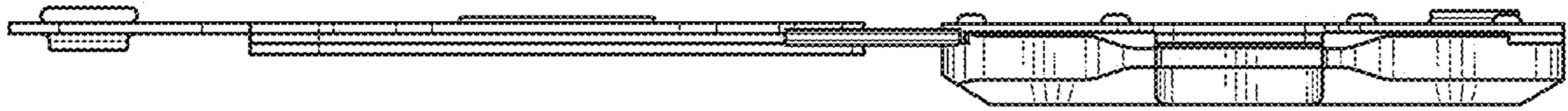


FIG. 6

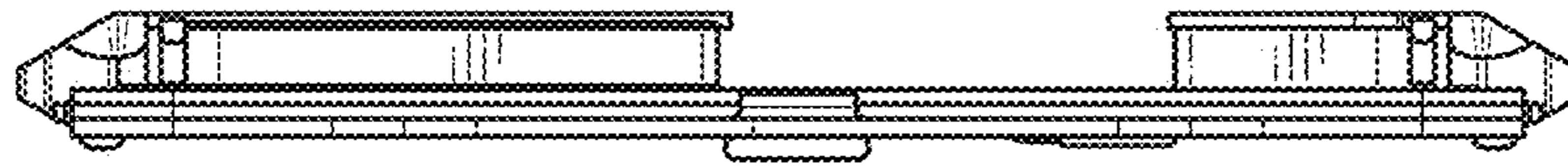


FIG. 7

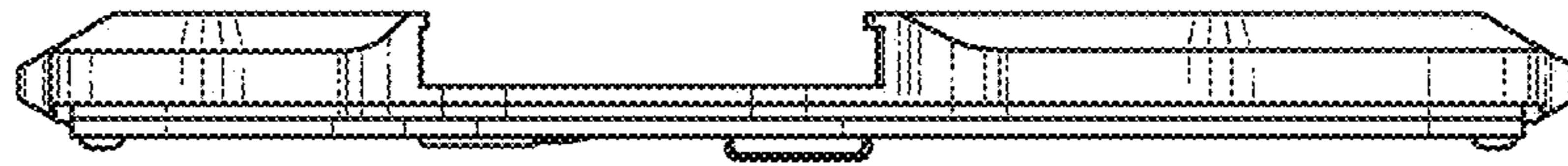


FIG. 8

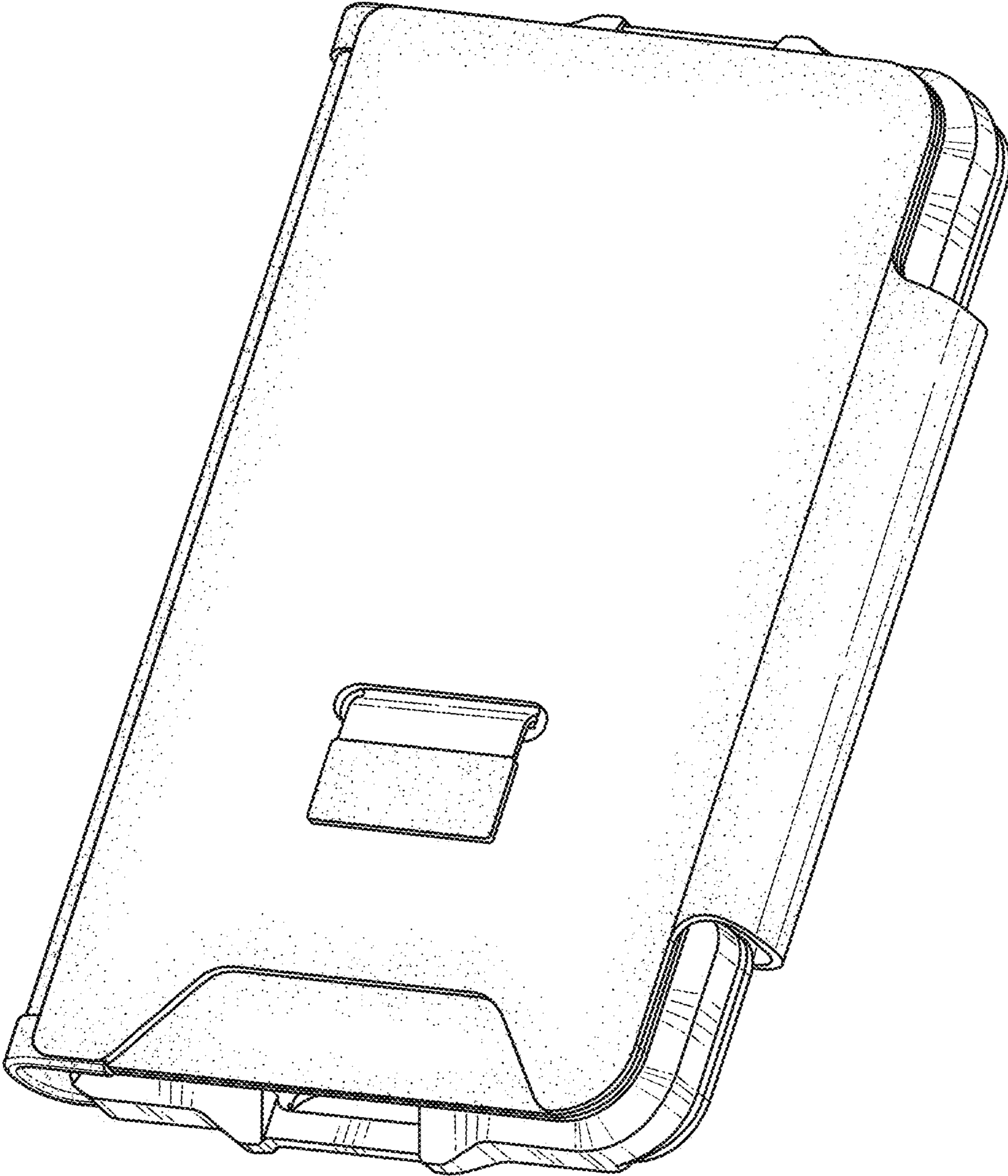


FIG. 9

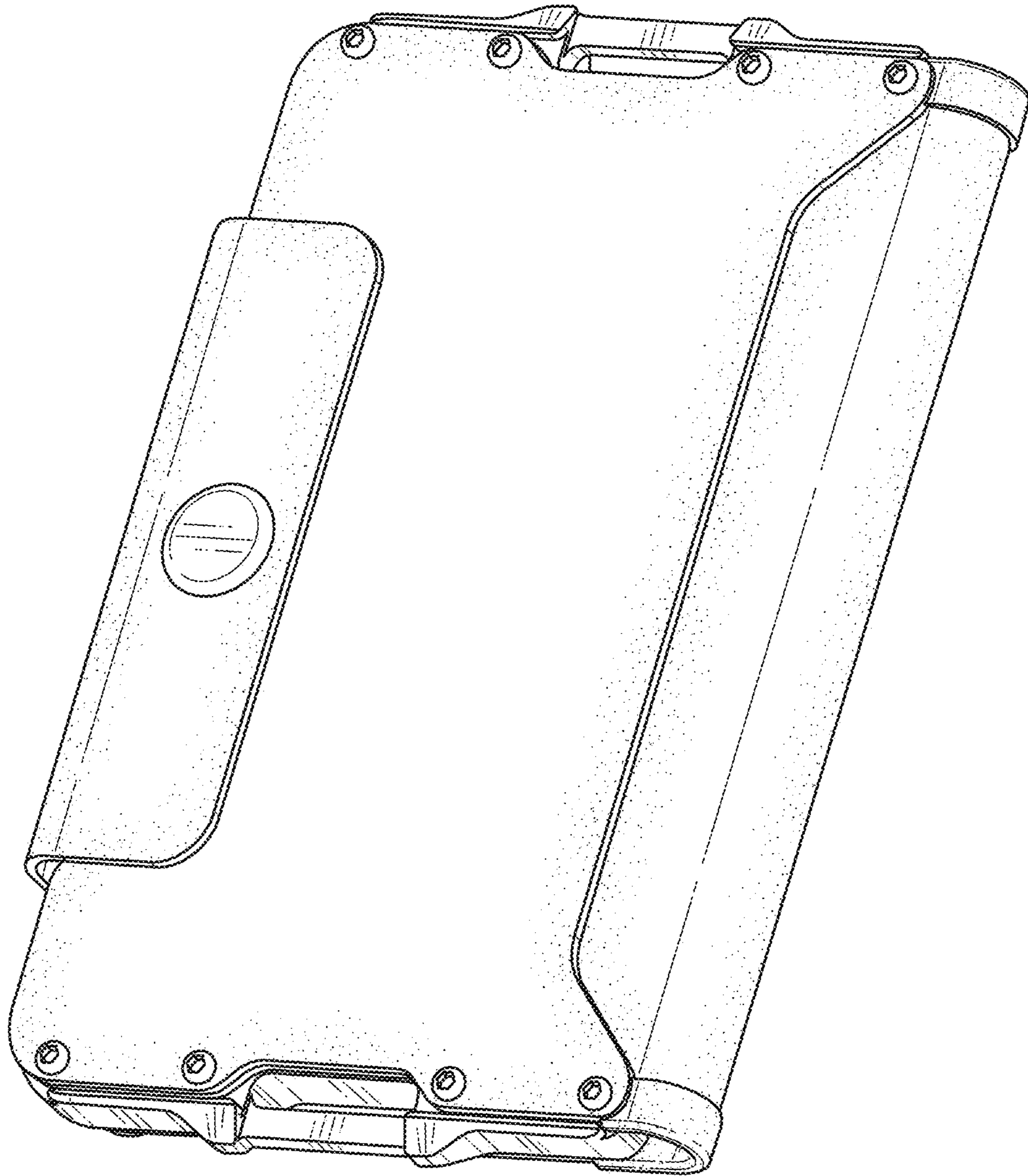


FIG. 10