



US00D982313S

(12) **United States Design Patent** (10) **Patent No.:** **US D982,313 S**  
**Chiuri** (45) **Date of Patent:** **\*\* Apr. 4, 2023**

(54) **HANDBAG**  
(71) Applicant: **Christian Dior Couture**, Paris (FR)  
(72) Inventor: **Maria Grazia Chiuri**, Paris (FR)  
(73) Assignee: **CHRISTIAN DIOR COUTURE**, Paris (FR)  
(\*\*) Term: **15 Years**

D530,510 S *	10/2006	Suppancig .....	D3/246
D531,404 S *	11/2006	Marttila .....	D3/246
D533,999 S *	12/2006	Delafontaine .....	D3/246
D577,192 S *	9/2008	Bellini .....	D3/234
D579,657 S *	11/2008	Hermann .....	D3/246
D588,357 S *	3/2009	Fabricius .....	D3/232
D627,559 S *	11/2010	Gerbi .....	D3/232
D818,707 S *	5/2018	Vevers .....	D3/246
D877,501 S *	3/2020	Nair .....	D3/232
D954,434 S *	6/2022	Knightly .....	A45C 3/06 D3/245

(21) Appl. No.: **29/718,588**  
(22) Filed: **Dec. 26, 2019**

\* cited by examiner

*Primary Examiner* — Jennifer L Watkins  
(74) *Attorney, Agent, or Firm* — Cantor Colburn LLP

**Related U.S. Application Data**

(62) Division of application No. 35/503,463, filed on Apr. 20, 2017 (U.S. filing date under 35 U.S.C. 384), and having an international filing date of Apr. 20, 2017, now Pat. No. Des. 873,562.  
(51) **LOC (14) Cl.** ..... **03-01**  
(52) **U.S. Cl.**  
USPC ..... **D3/246**  
(58) **Field of Classification Search**  
USPC ..... D3/232, 245, 246  
CPC ..... A45C 3/04; A45C 2200/10; A45C 3/001;  
A45C 7/0086; A45C 13/02; A45C 13/10;  
A45C 13/103; A45C 13/18; A45C  
2003/007; A45C 3/06; A45C 5/02  
See application file for complete search history.

(57) **CLAIM**

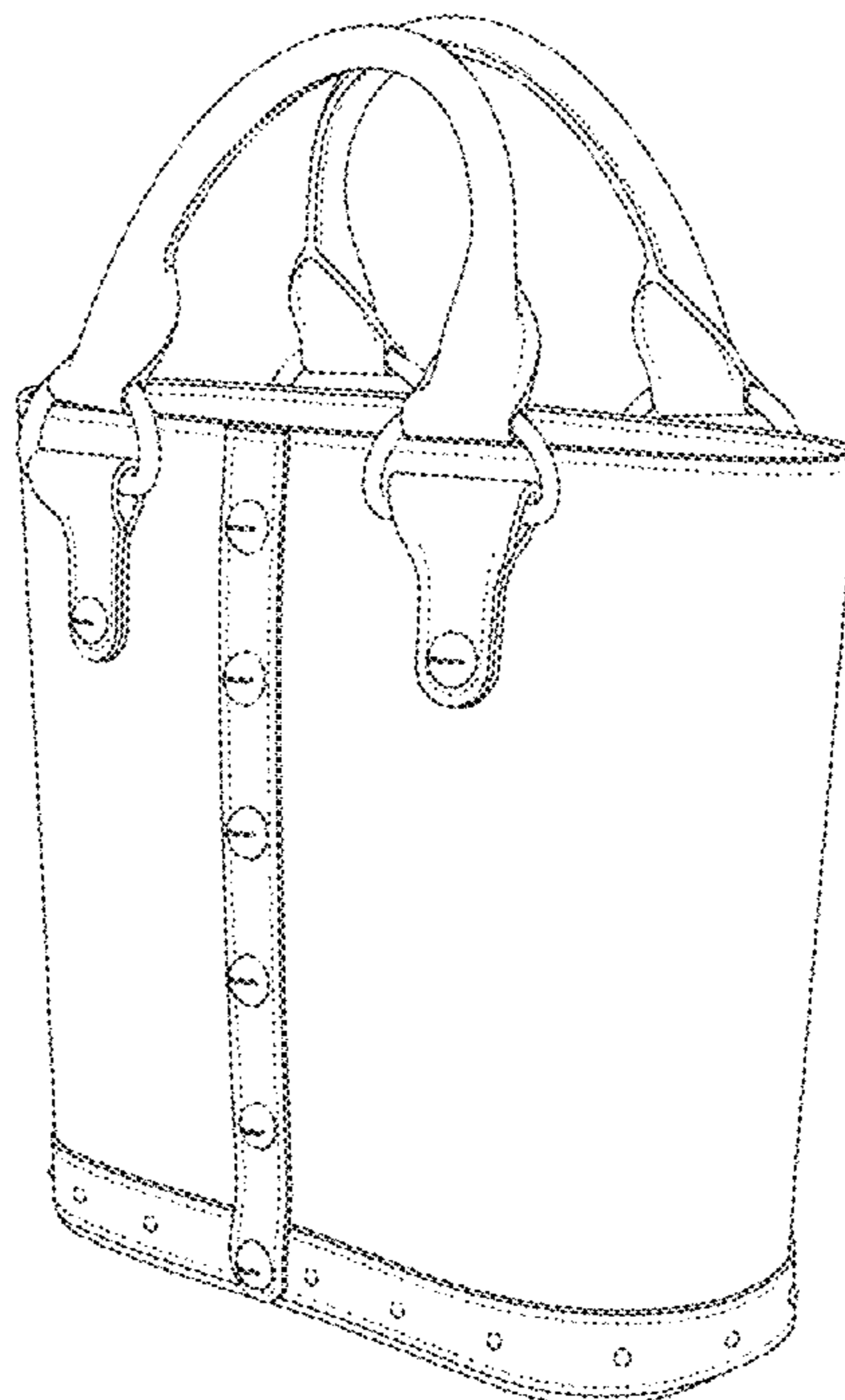
The ornamental design for a handbag, as shown and described.

**DESCRIPTION**

FIG. 1 is a front view of a handbag showing my new design; FIG. 2 is a rear view thereof; FIG. 3 is a left, front perspective view thereof; FIG. 4 is a left, rear perspective view thereof; FIG. 5 is a left side view thereof; FIG. 6 is a right view thereof; FIG. 7 is a bottom view thereof; and, FIG. 8 is a top view thereof. The evenly dashed broken lines in FIGS. 1-8 are for the purpose of depicting claimed stitching.

(56) **References Cited**  
U.S. PATENT DOCUMENTS  
5,765,618 A \* 6/1998 Toledano ..... A45C 13/26  
190/116  
D476,150 S \* 6/2003 Stulman ..... D3/246

**1 Claim, 8 Drawing Sheets**



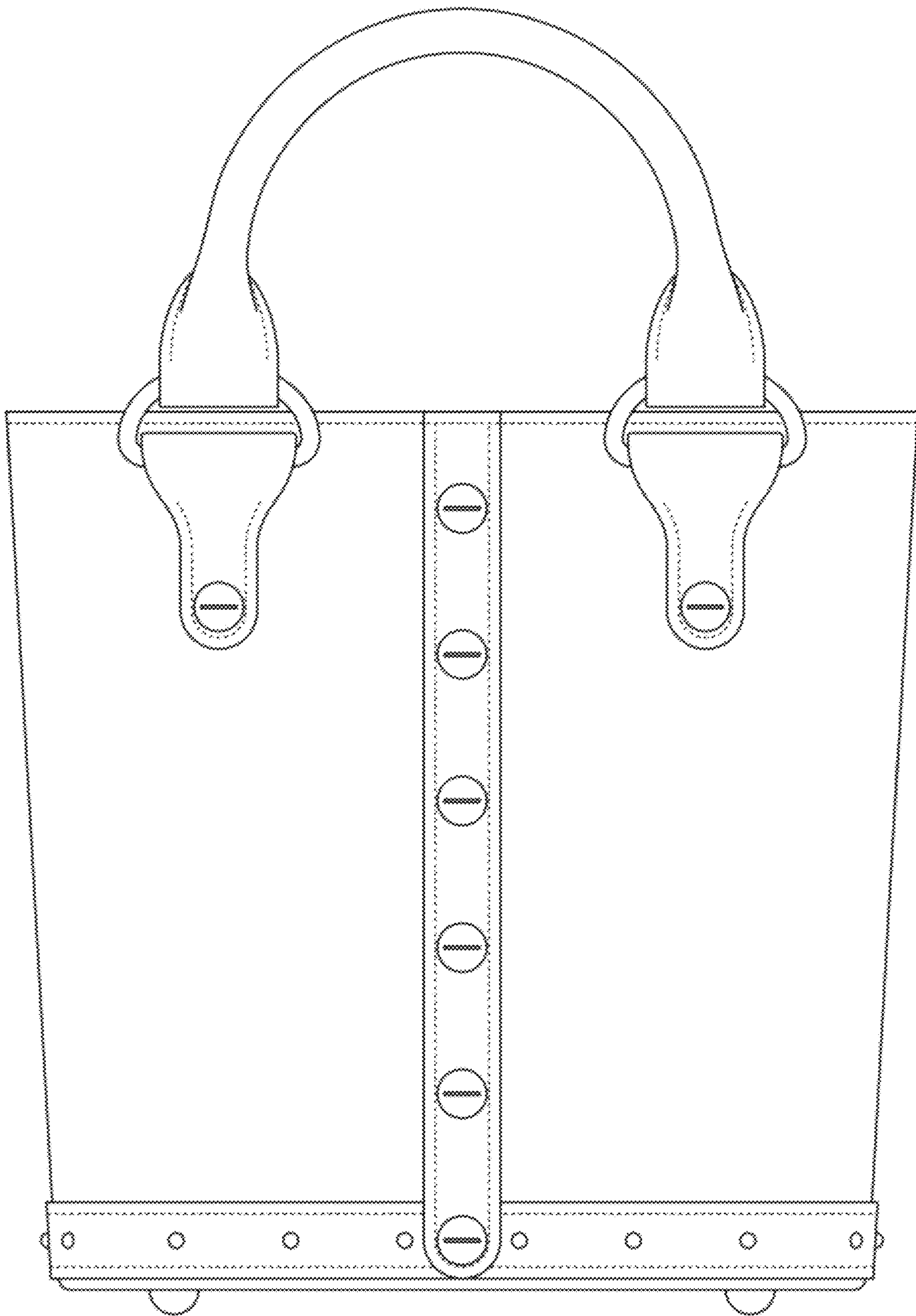


FIG. 1

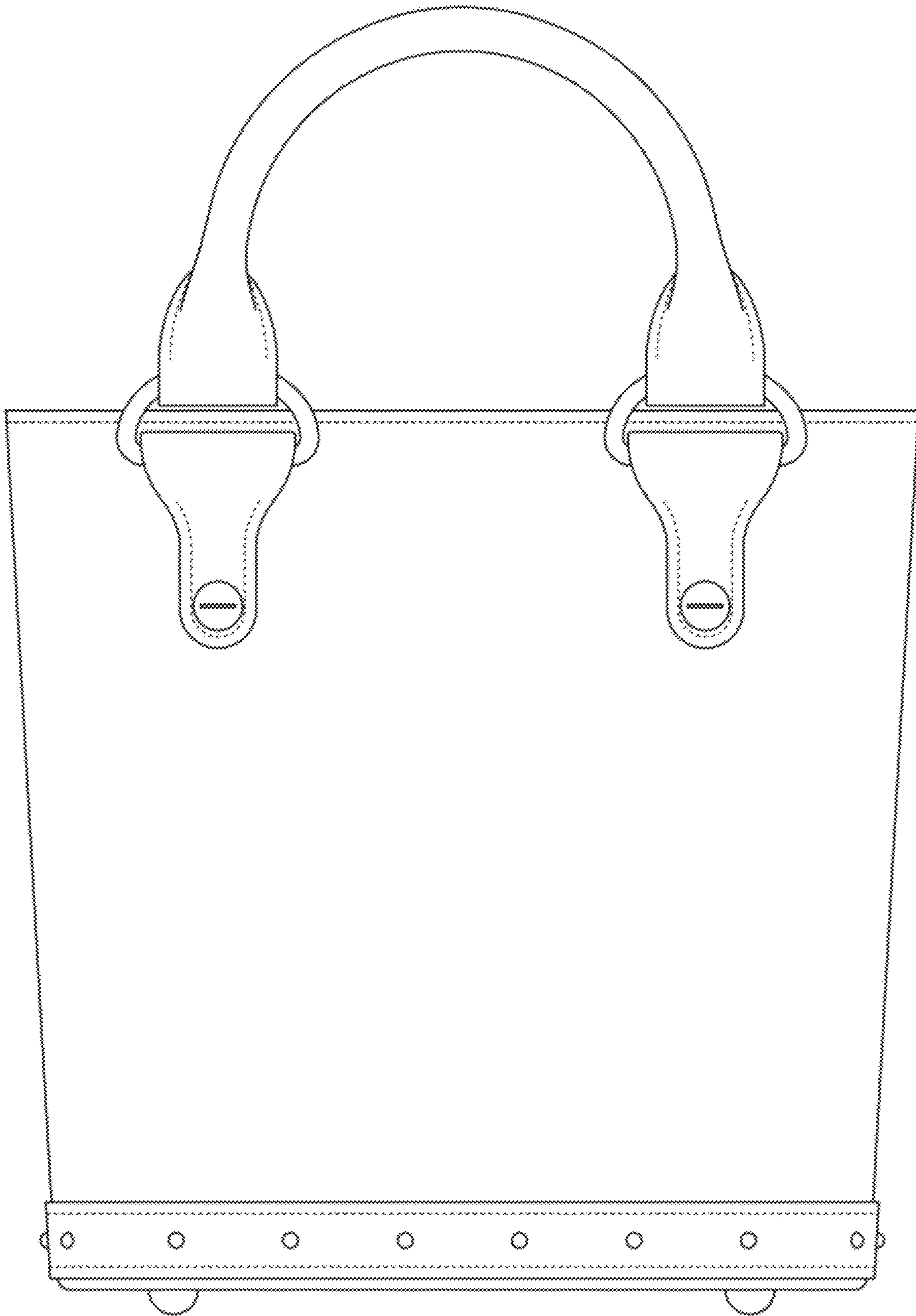


FIG. 2



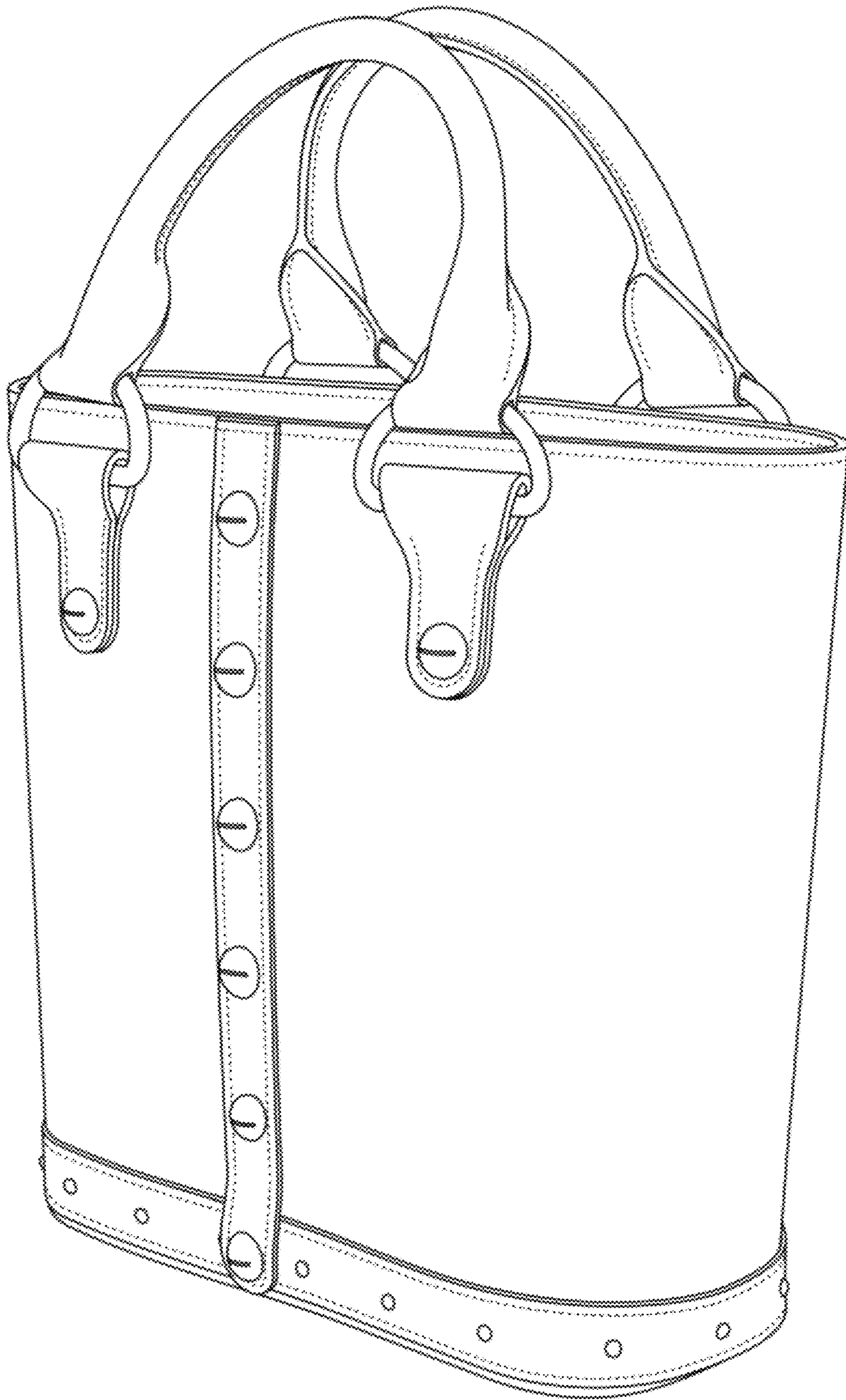


FIG. 3

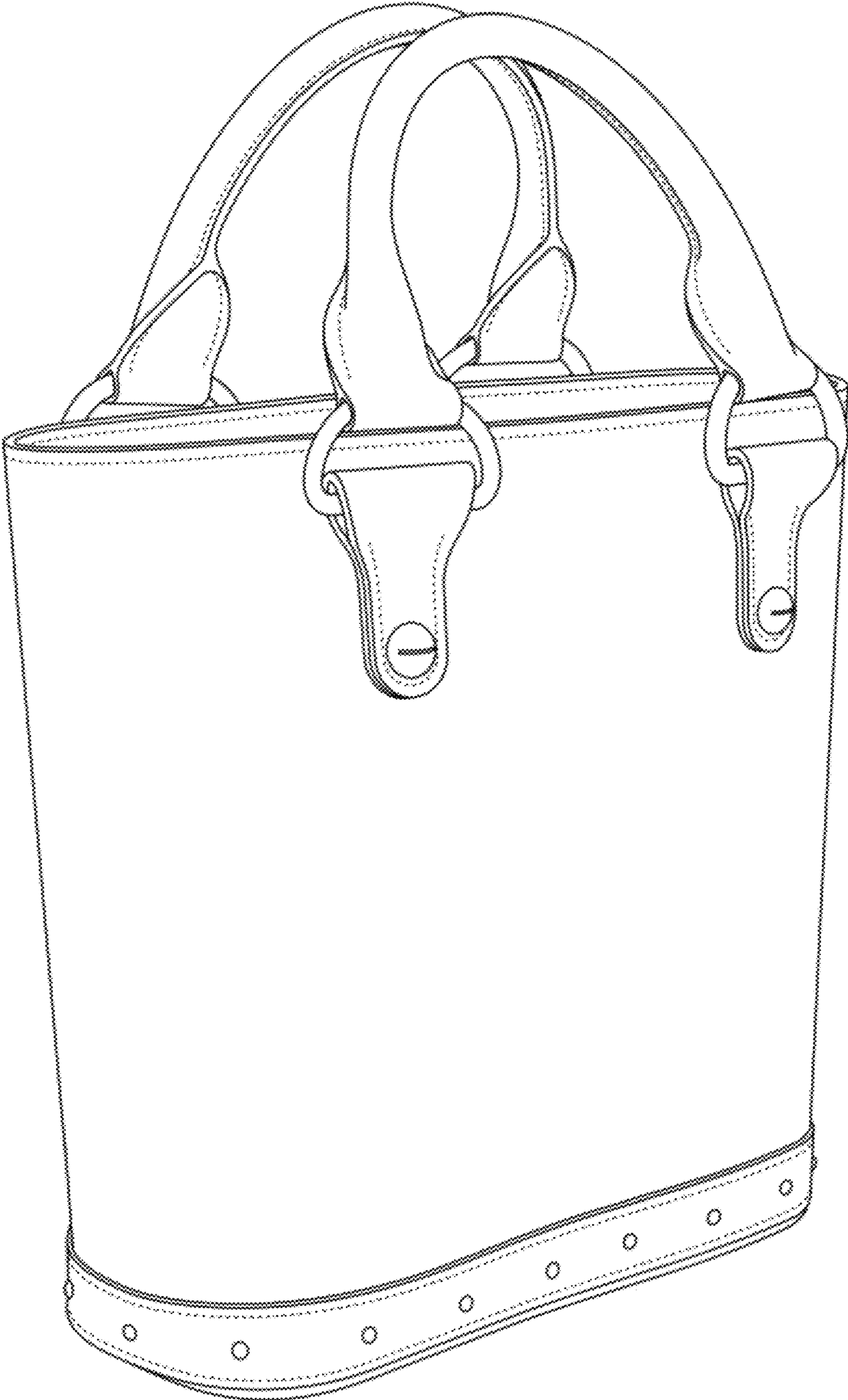


FIG. 4

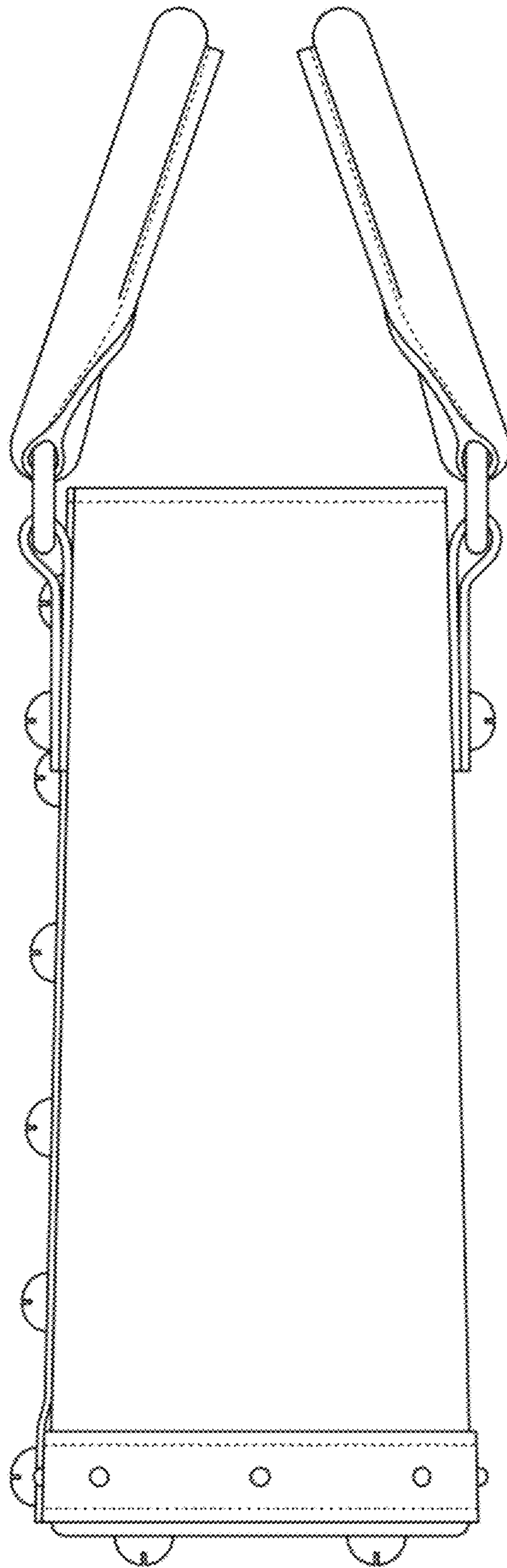


FIG. 5



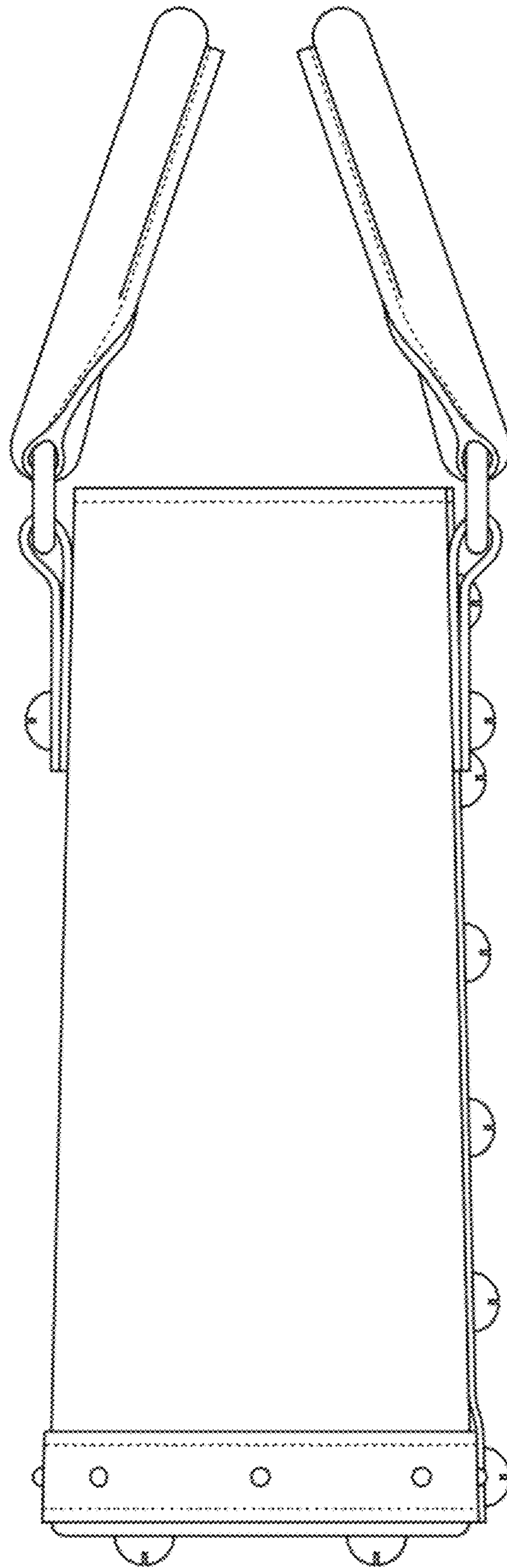


FIG. 6

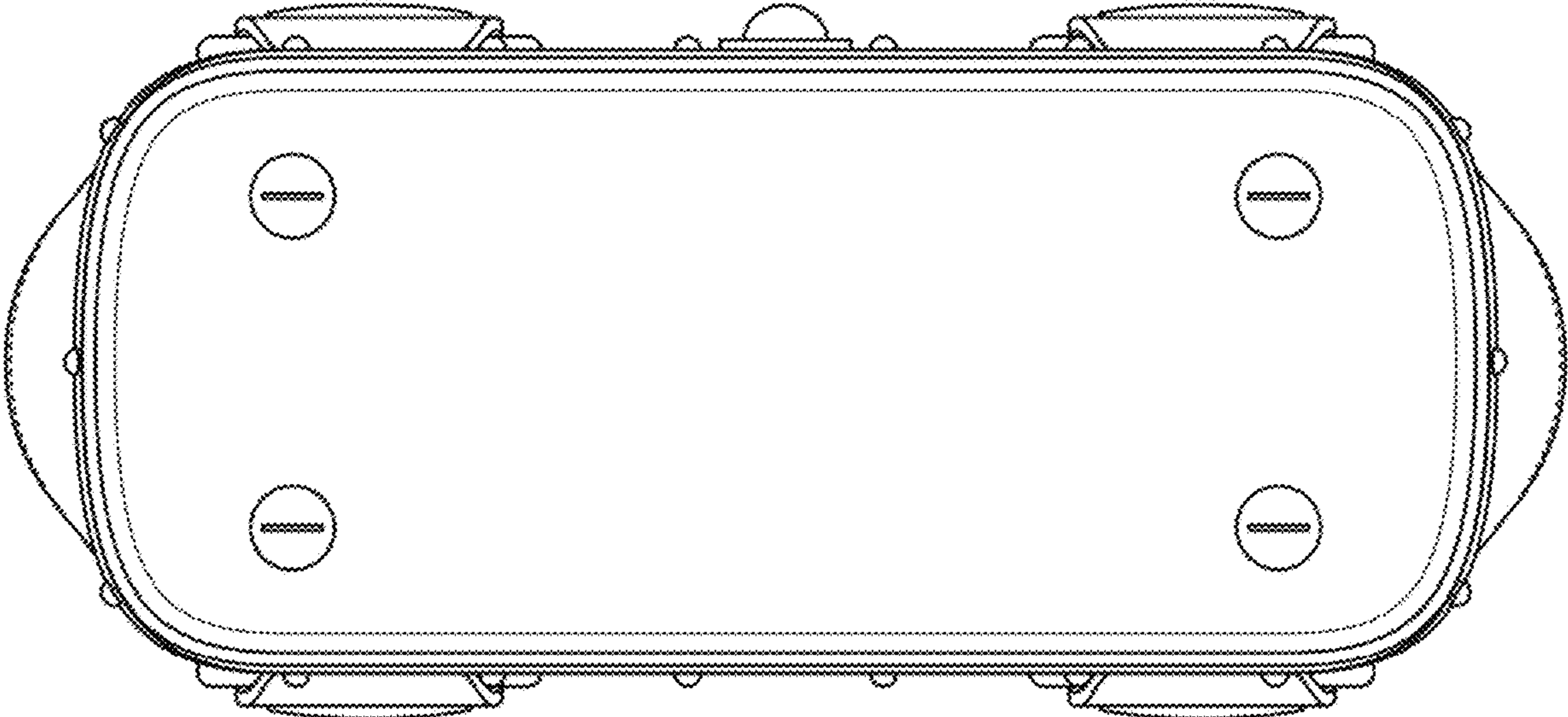


FIG. 7



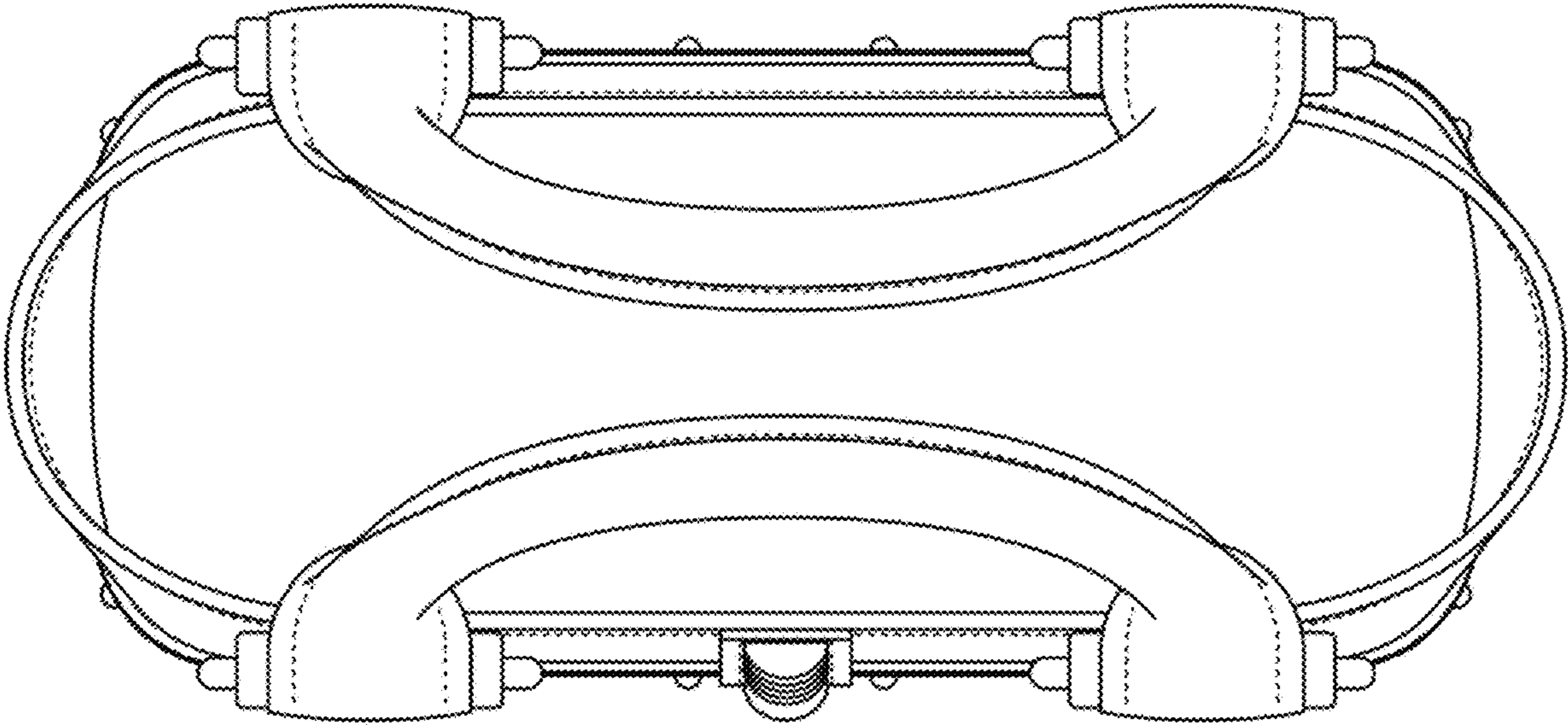


FIG. 8