



US00D982311S

(12) **United States Design Patent**
Xiong

(10) **Patent No.:** **US D982,311 S**

(45) **Date of Patent:** **** Apr. 4, 2023**

- (54) **DIAPER BACKPACK**
- (71) Applicant: **Shenzhen Zhichengxin Technology Co., Ltd.**, Guangdong (CN)
- (72) Inventor: **Yan Xiong**, Guangdong (CN)
- (73) Assignee: **Shenzhen Zhichengxin Technology Co., Ltd.**, Shenzhen (CN)
- (**) Term: **15 Years**
- (21) Appl. No.: **29/868,212**
- (22) Filed: **Nov. 24, 2022**
- (51) **LOC (14) Cl.** **03-01**
- (52) **U.S. Cl.**
USPC **D3/217**
- (58) **Field of Classification Search**
USPC D3/215–217, 221, 225–226, 230, 232,
D3/254, 256–257, 273, 276, 289–290,
D3/301, 904
CPC A45F 3/00; A45F 3/02; A45F 3/04; A45F
4/04; A45C 11/00; A45C 13/02; A45C
13/08
See application file for complete search history.

D965,288 S *	10/2022	Breines	D3/217
D968,073 S *	11/2022	Lin	D3/217
D973,349 S *	12/2022	Chen	D3/217
D974,026 S *	1/2023	Feng	D3/216

FOREIGN PATENT DOCUMENTS

GB 6246177 * 12/2022

OTHER PUBLICATIONS

Skip Hop Diaper Bag Backpack, available no later than Sep. 1, 2018 based on customer photo review, amazon.com [online], [site visited Jan. 24, 2023], Available at URL: <https://www.amazon.com/Skip-Hop-Backpack-Multi-Function-Changing/dp/B07GJSVK14?th=1> (Year: 2018).*

* cited by examiner

Primary Examiner — Jeffrey D Asch
Assistant Examiner — Caitlin A Laverty

(57) **CLAIM**

The ornamental design for a diaper backpack, as shown and described.

DESCRIPTION

FIG. 1 is a top, front, right side perspective view of a diaper backpack, showing my new design; FIG. 2 is a bottom, back, right side perspective view thereof; FIG. 3 is a front elevational view thereof; FIG. 4 is a back elevational view thereof; FIG. 5 is a left side elevational view thereof, with the front pocket zipper pulls in a different position of use from FIGS. 1, 3, and 6-8. FIG. 6 is a right side elevational view thereof; FIG. 7 is a top plan view thereof; and, FIG. 8 is a bottom plan view thereof. The dot lines depict stitching of the diaper backpack that do not form part of the claimed design.

1 Claim, 8 Drawing Sheets

(56) **References Cited**

U.S. PATENT DOCUMENTS

D833,141 S *	11/2018	Carter	D3/217
D872,992 S *	1/2020	He	D3/217
D875,385 S *	2/2020	Carter	D3/217
D879,464 S	3/2020	Vario		
D883,660 S *	5/2020	He	D3/217
D888,413 S *	6/2020	Dai	D3/217
D896,505 S *	9/2020	Yuan	D3/217
D901,878 S *	11/2020	Ji	D3/217
D940,452 S *	1/2022	Bi	D3/217
D944,006 S *	2/2022	Windenberger	D3/217
D954,428 S *	6/2022	Zhou	D3/217
D954,429 S	6/2022	Chen		
D956,411 S *	7/2022	Jin	D3/217
D961,910 S *	8/2022	Yan	D3/217





FIG. 1



FIG. 2

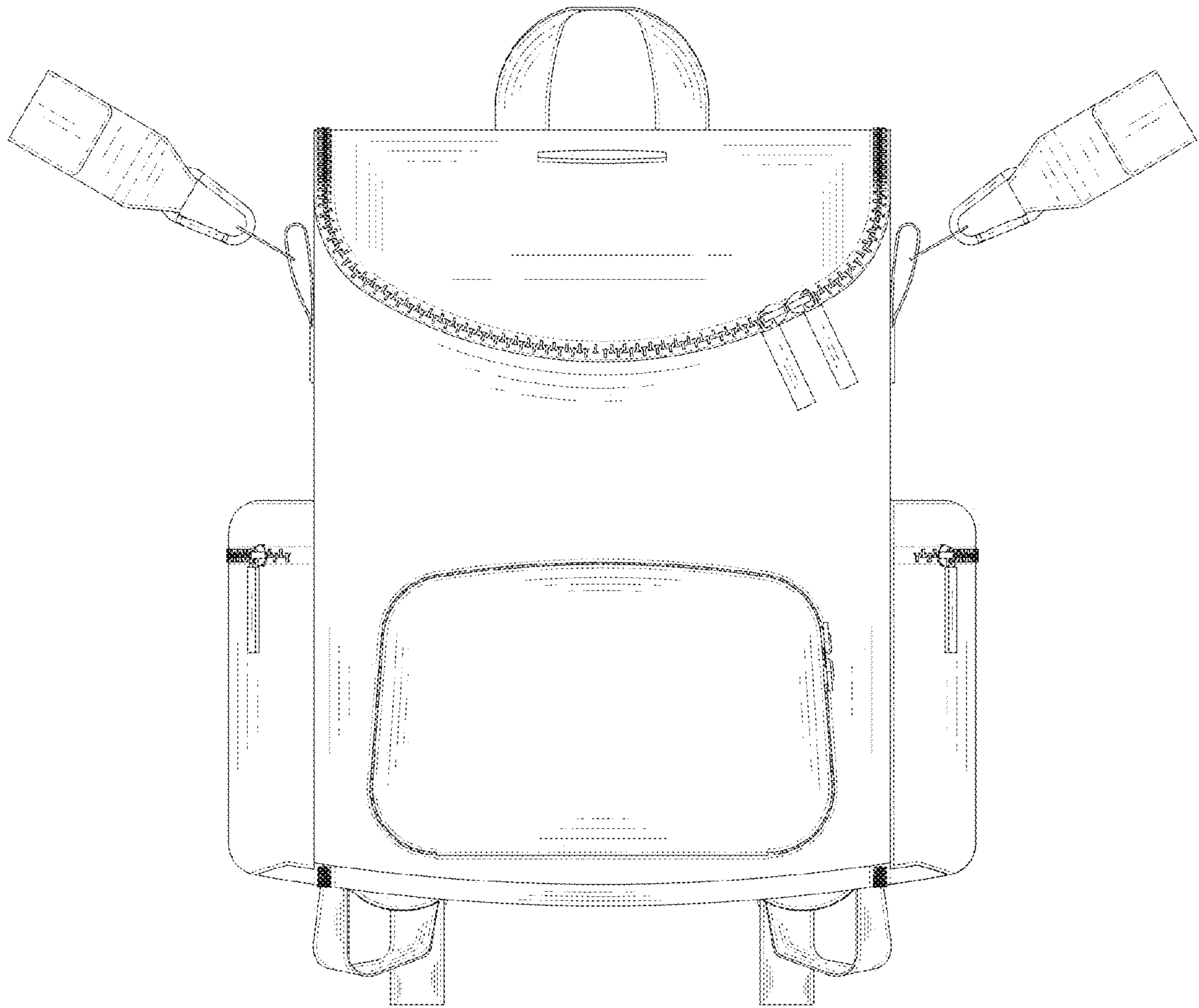


FIG. 3

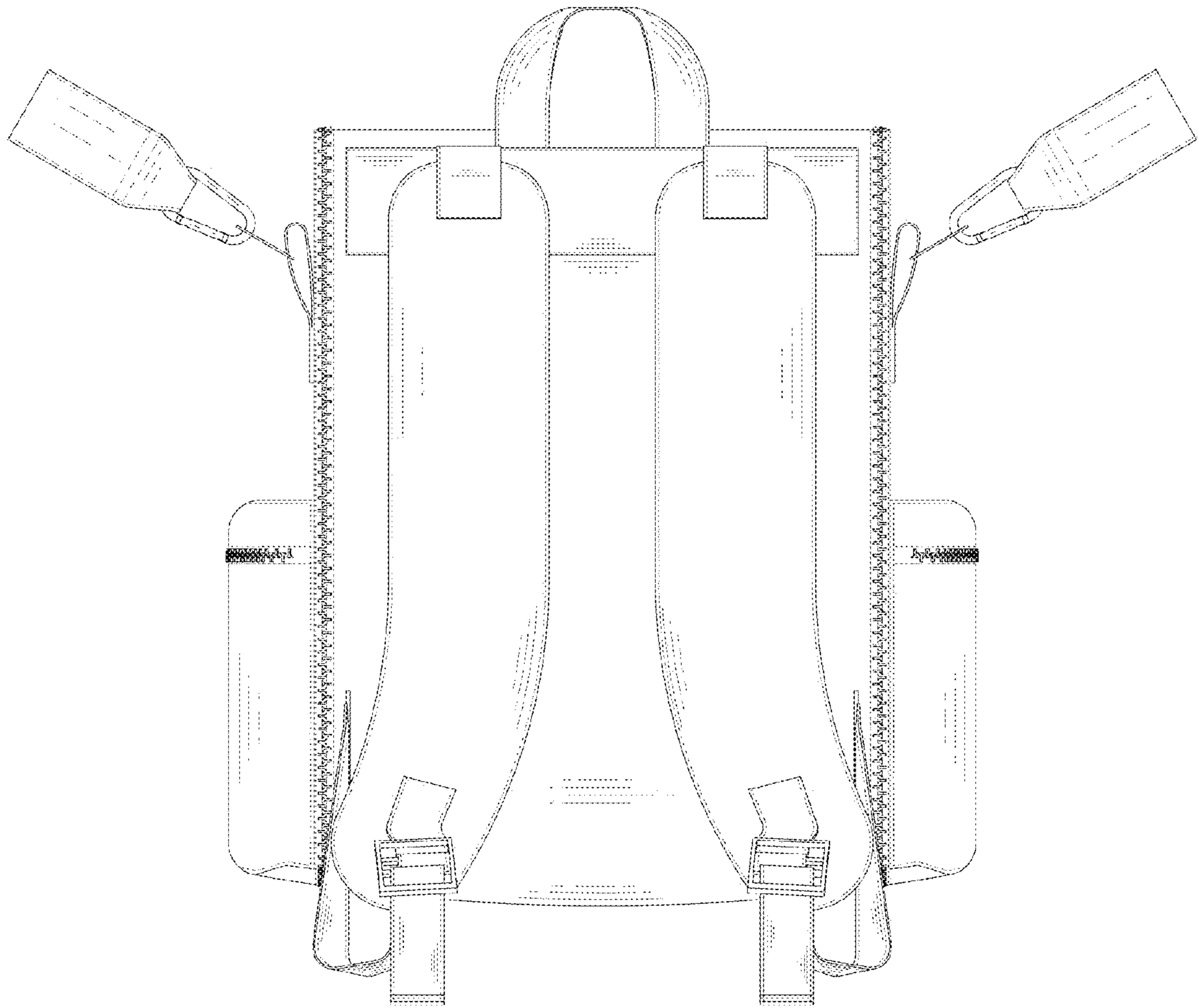


FIG. 4

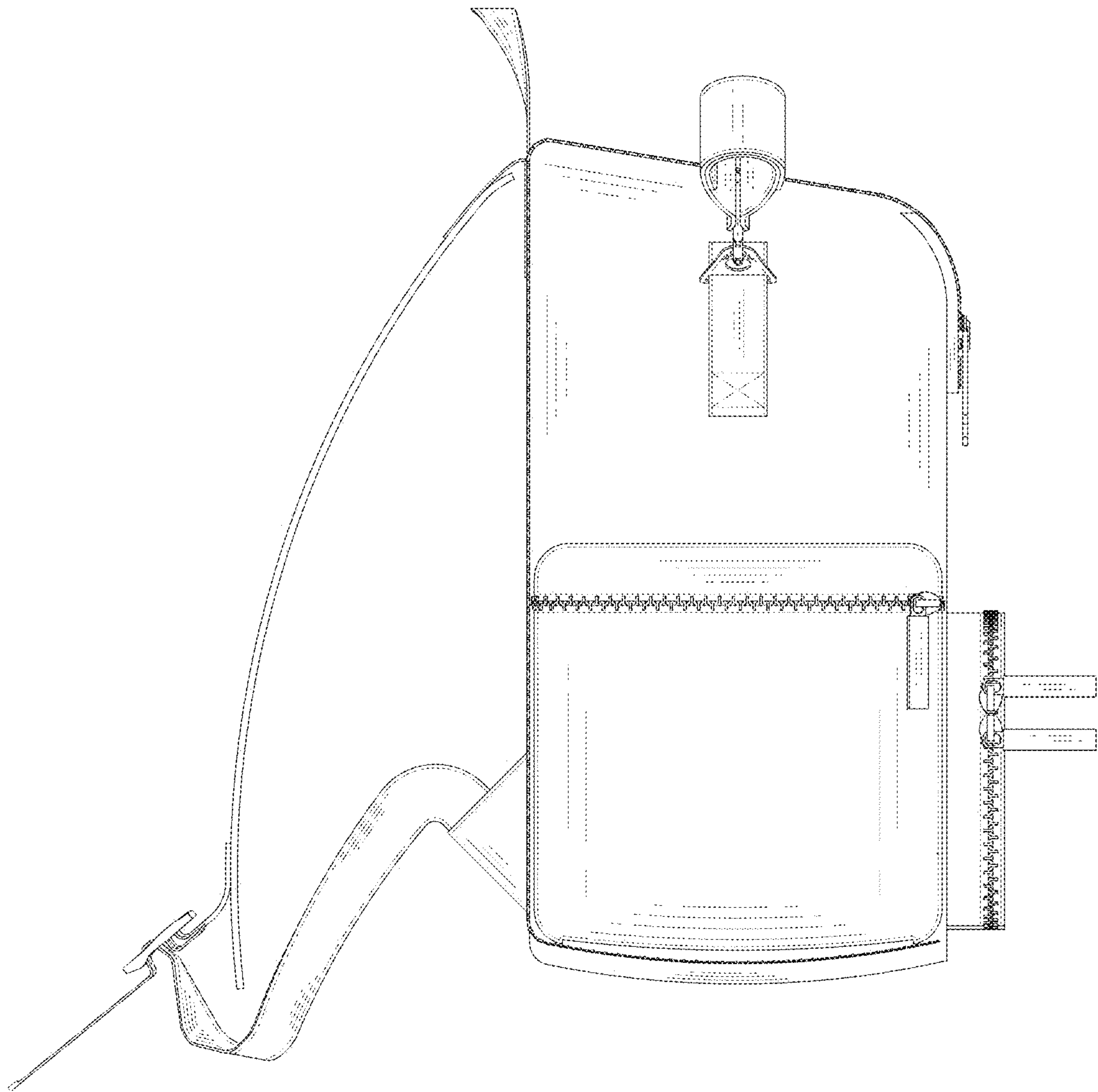


FIG. 5

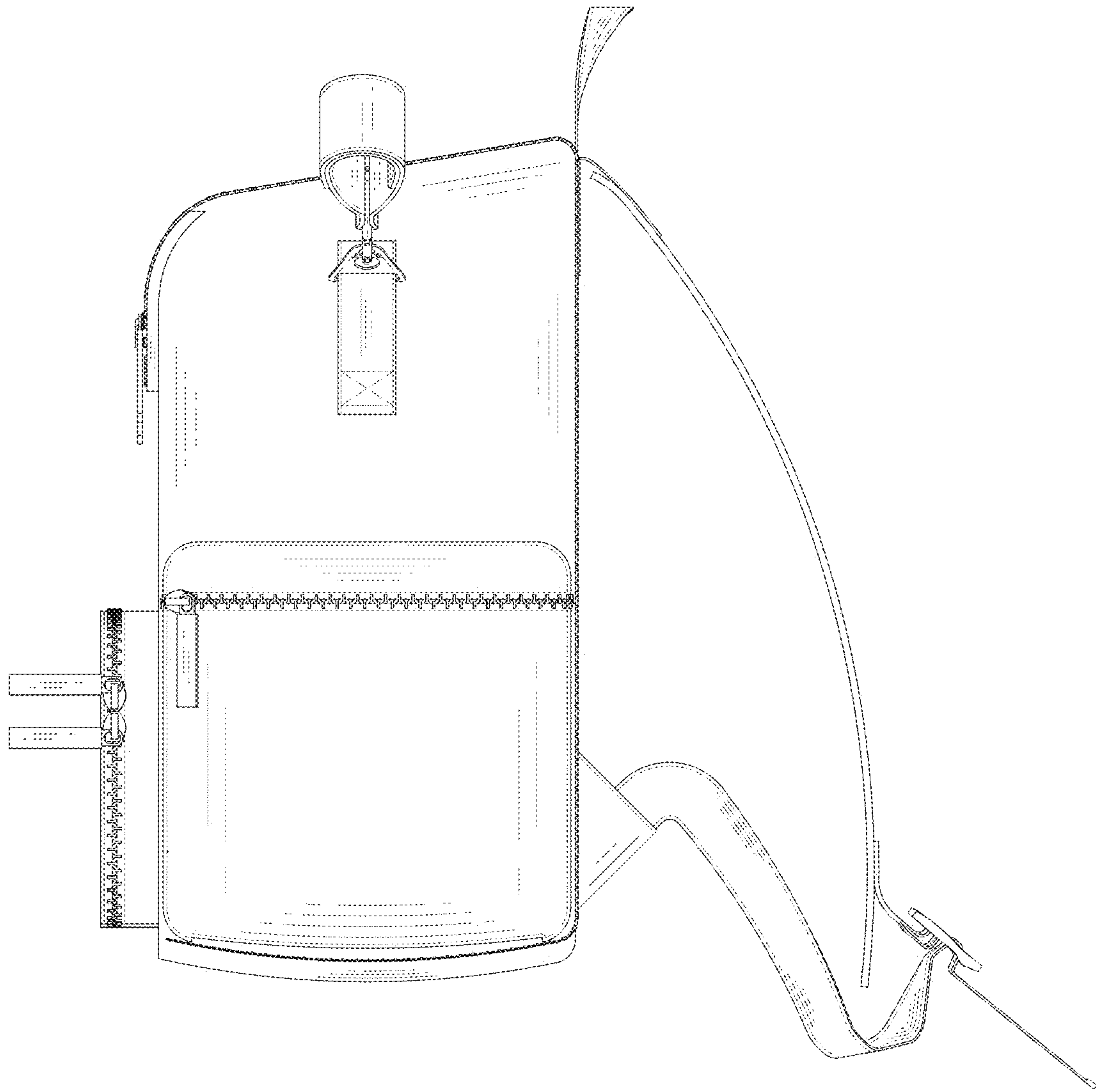


FIG. 6

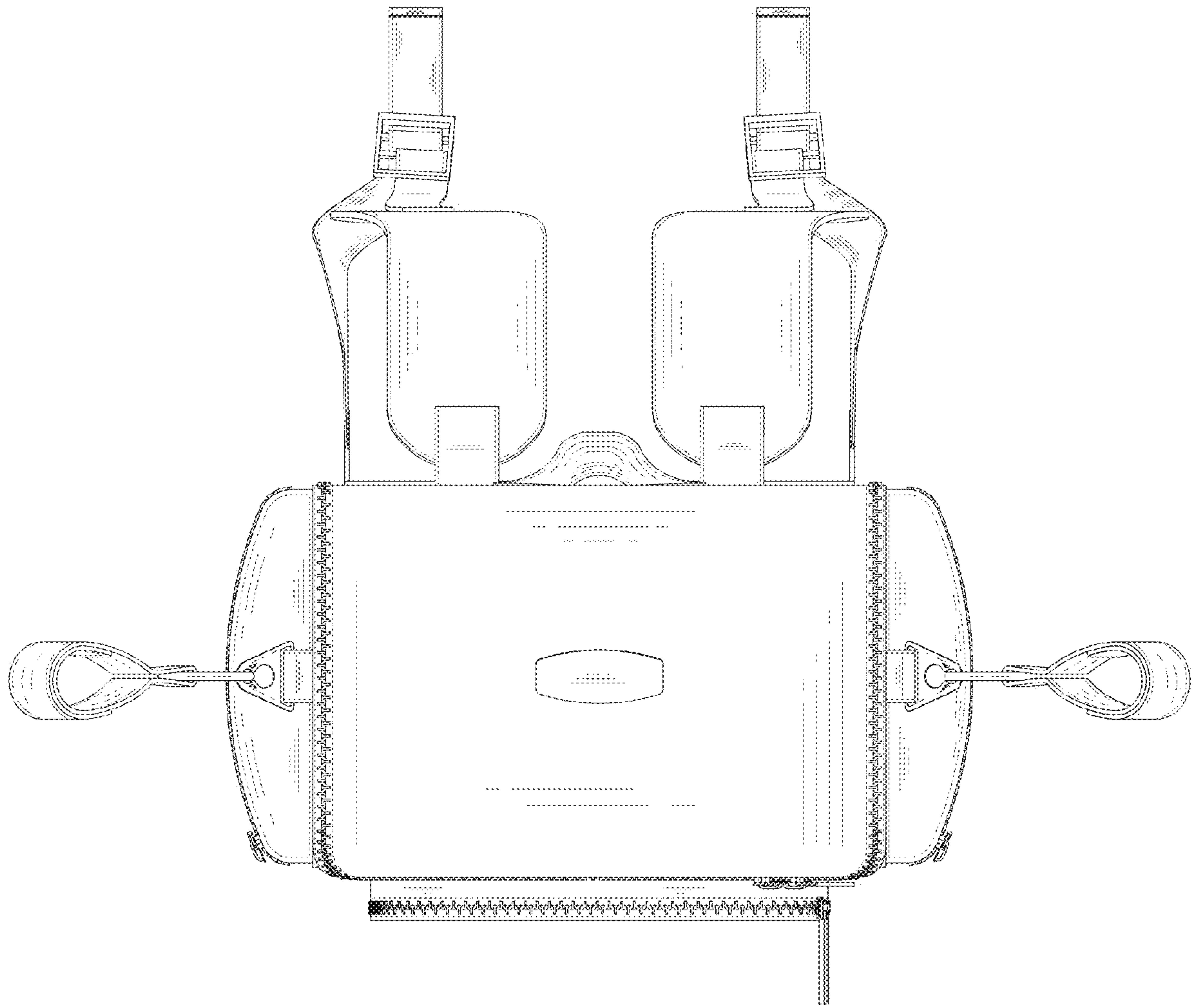


FIG. 7

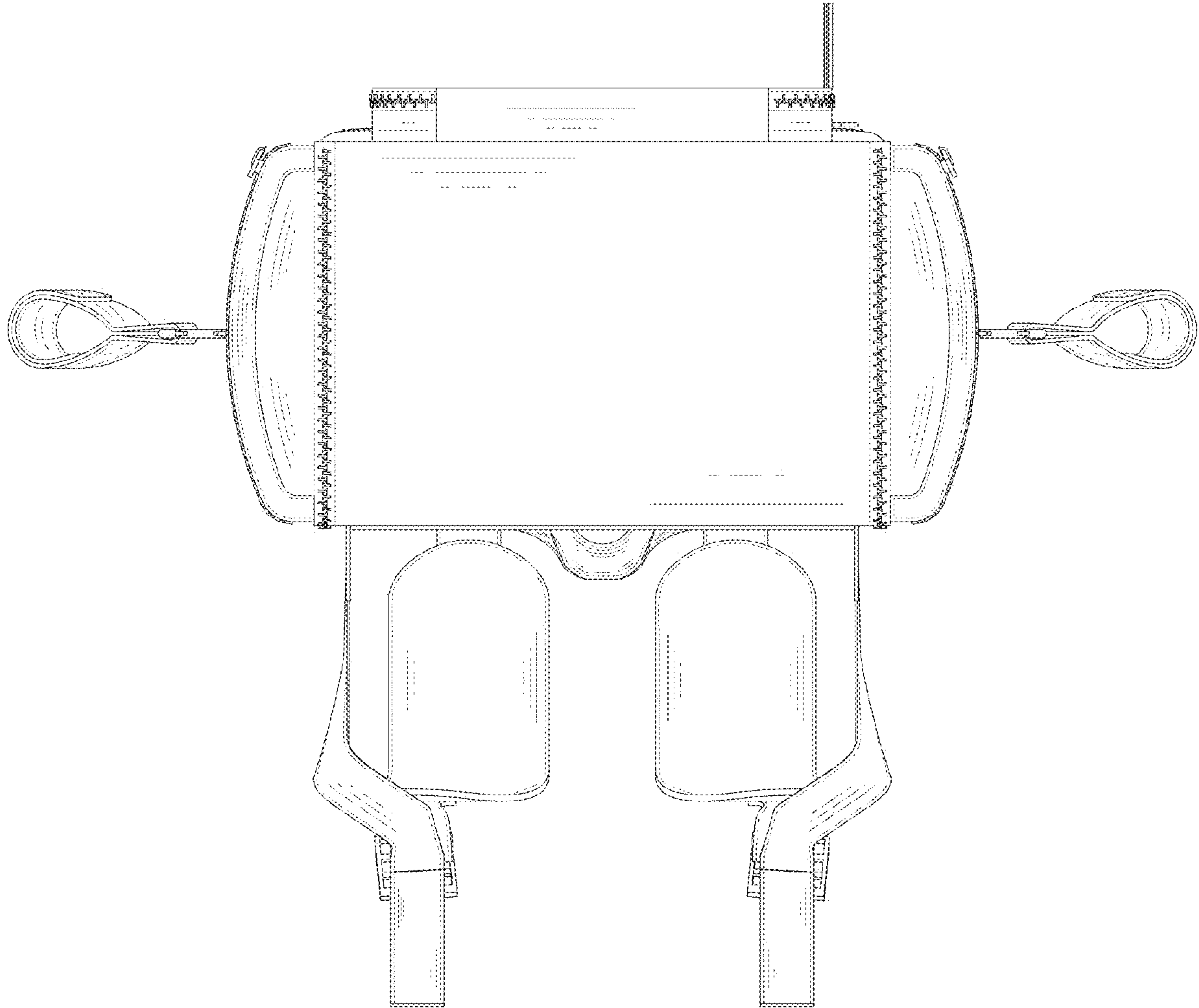


FIG. 8