



US00D982306S

(12) **United States Design Patent** (10) **Patent No.:** **US D982,306 S**  
**Van Lierop et al.** (45) **Date of Patent:** **\*\* Apr. 4, 2023**

(54) **PARASOL STAND**

(71) Applicant: **Zhejiang Zhengte Co., Ltd.**, Zhejiang (CN)

(72) Inventors: **Patrick Johannes Maria Van Lierop**, Leerdam (NL); **Walter Barroso Neto**, Sao Paulo (BR); **Shuhao Shan**, Jiangsu (CN)

(73) Assignee: **Zhejiang Zhengte Co., Ltd.**, Zhejiang (CN)

(\*\*) Term: **15 Years**

(21) Appl. No.: **29/781,378**

(22) Filed: **Apr. 29, 2021**

(30) **Foreign Application Priority Data**

Mar. 26, 2021 (EM) ..... 008475610-0001

(51) **LOC (14) Cl.** ..... **03-03**

(52) **U.S. Cl.**  
USPC ..... **D3/10**

(58) **Field of Classification Search**  
USPC ..... D3/5-17; D8/356, 382, 394, 395, 396;  
D13/133, 154; D12/400, 401; D6/512,  
D6/522, 566, 650, 685, 691, 691.3  
CPC ..... A45B 25/06; A45B 25/00; A45B 25/02;  
A45B 25/10; E04H 15/06; E04H 12/22;  
E04H 15/26; F16M 13/02; B63B 7/08  
See application file for complete search history.

(56) **References Cited**

**U.S. PATENT DOCUMENTS**

7,140,581 B1 \* 11/2006 White ..... E01F 9/692  
40/607.1  
D573,786 S \* 7/2008 Smith ..... D3/10  
D578,749 S \* 10/2008 Ng ..... D3/10

D697,705 S \* 1/2014 Ma ..... D3/10  
D732,817 S \* 6/2015 Elstow ..... D3/10  
D955,100 S \* 6/2022 Moreno ..... D3/10  
2007/0080277 A1 \* 4/2007 Chen ..... E04H 12/2246  
248/354.3  
2010/0065709 A1 \* 3/2010 Ying ..... E04H 12/2238  
248/522

**FOREIGN PATENT DOCUMENTS**

EM 008085328-0001 \* 11/2020

**OTHER PUBLICATIONS**

Youtube.com, Site visited Sep. 27, 2022, "Shademobile Rolling Umbrella Stand and Accessory Table," published by fenix on Jul. 21, 2014 features the Shademobile umbrella stand, <https://www.youtube.com/watch?v=V19t5u0Ouc4> (Year: 2014).\*

(Continued)

*Primary Examiner* — Brett Miller  
*Assistant Examiner* — Jessica M Gebhart  
(74) *Attorney, Agent, or Firm* — Schroeder Law PC

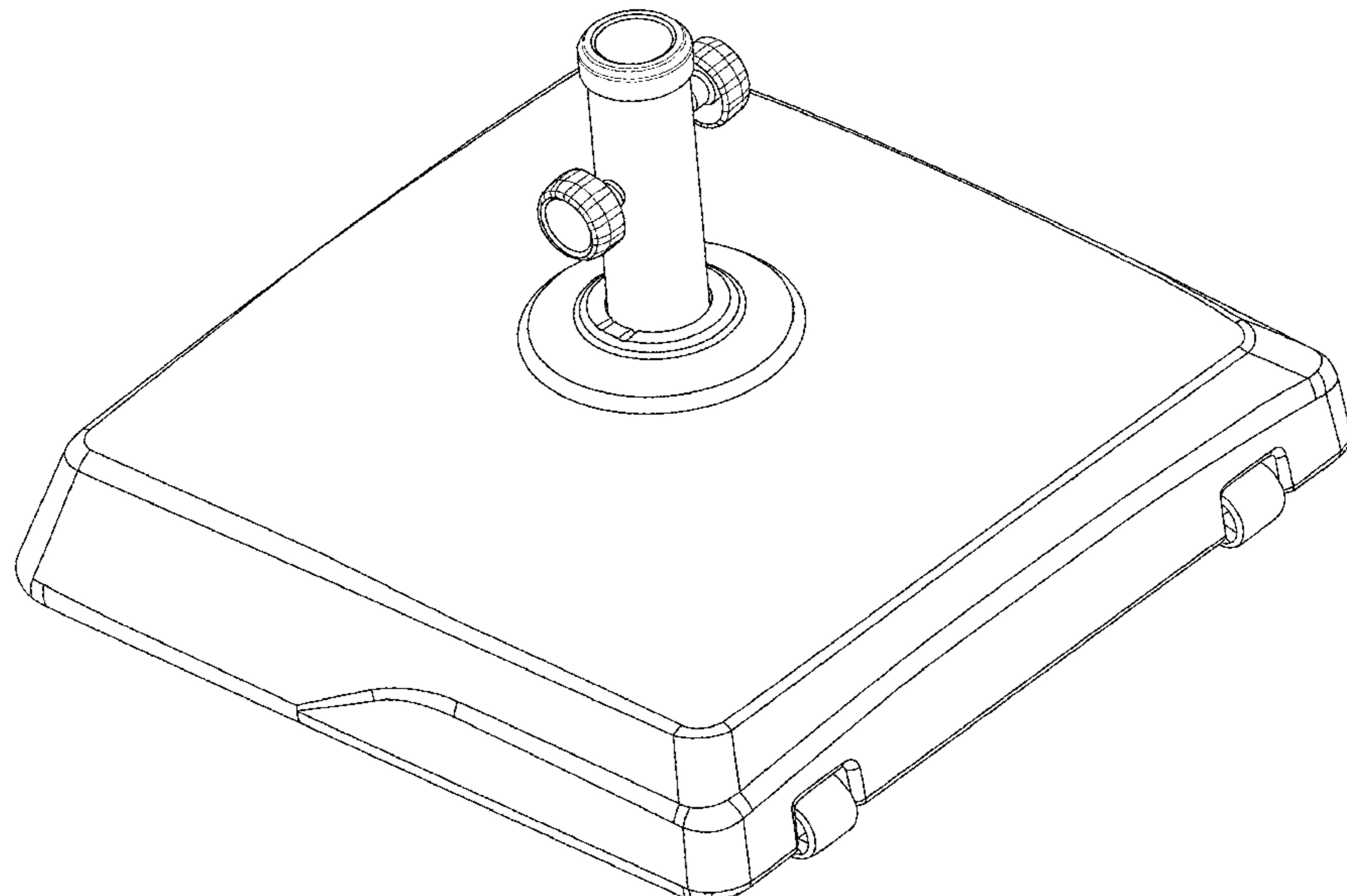
(57) **CLAIM**

The ornamental design for a parasol stand, as shown and described.

**DESCRIPTION**

FIG. 1 is a first perspective view of a parasol stand showing our new design;  
FIG. 2 is a second perspective view thereof;  
FIG. 3 is a front elevation view thereof;  
FIG. 4 is a rear elevation view thereof;  
FIG. 5 is a right elevation view thereof;  
FIG. 6 is a bottom view thereof; and,  
FIG. 7 is a top view thereof.  
The broken lines depict portions of the parasol stand that form no part of the claimed design.

**1 Claim, 7 Drawing Sheets**



(56)

**References Cited**

OTHER PUBLICATIONS

Amazon.ca, Site visited Sep. 20, 2022, Best Choice Products Umbrella Base, First available Sep. 2, 2020, <https://www.amazon.ca/Best-Choice-Products-Fillable-Umbrella/dp/B08GVQ8G35> (Year: 2020).\*

Wayfair.com, Site visited Sep. 27, 2022, Arlmont & Co. Umbrella Base, Oldest review dated Oct. 8, 2020, <https://www.wayfair.com/outdoor/pdp/arlmont-co-knaresborough-plastic-free-standing-umbrella-base-w004431902.html> (Year: 2020).\*

\* cited by examiner

**Fig. 1**

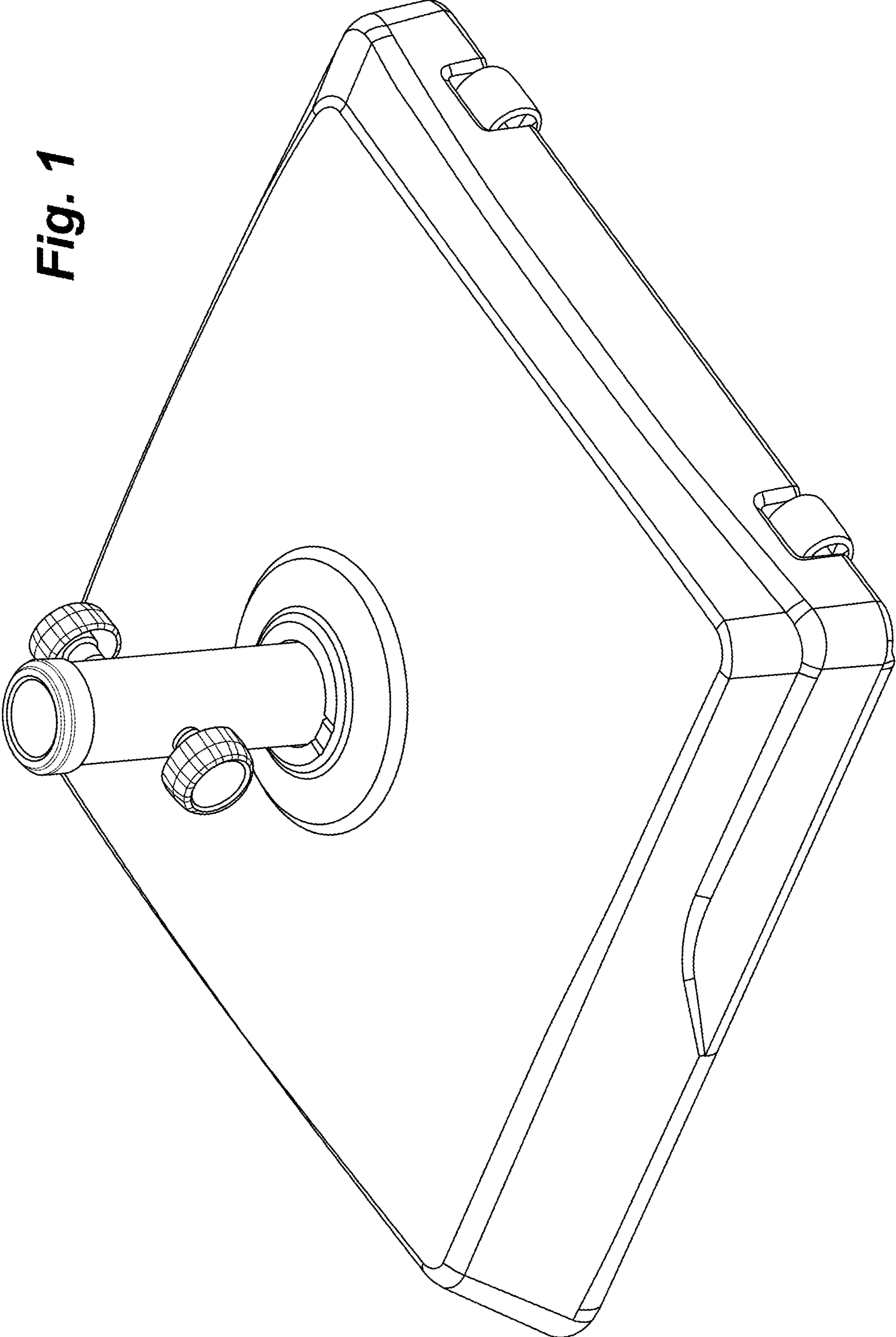
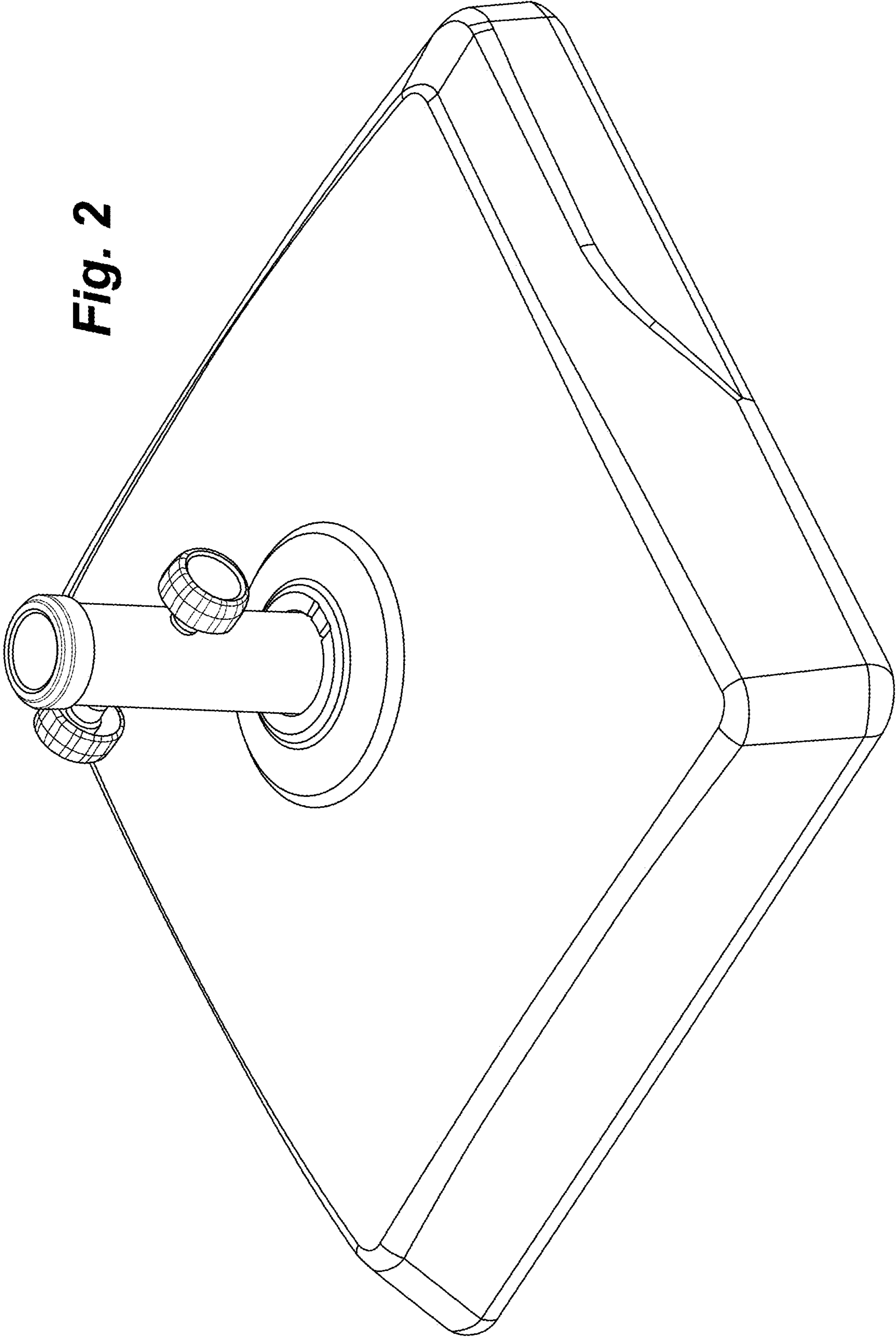
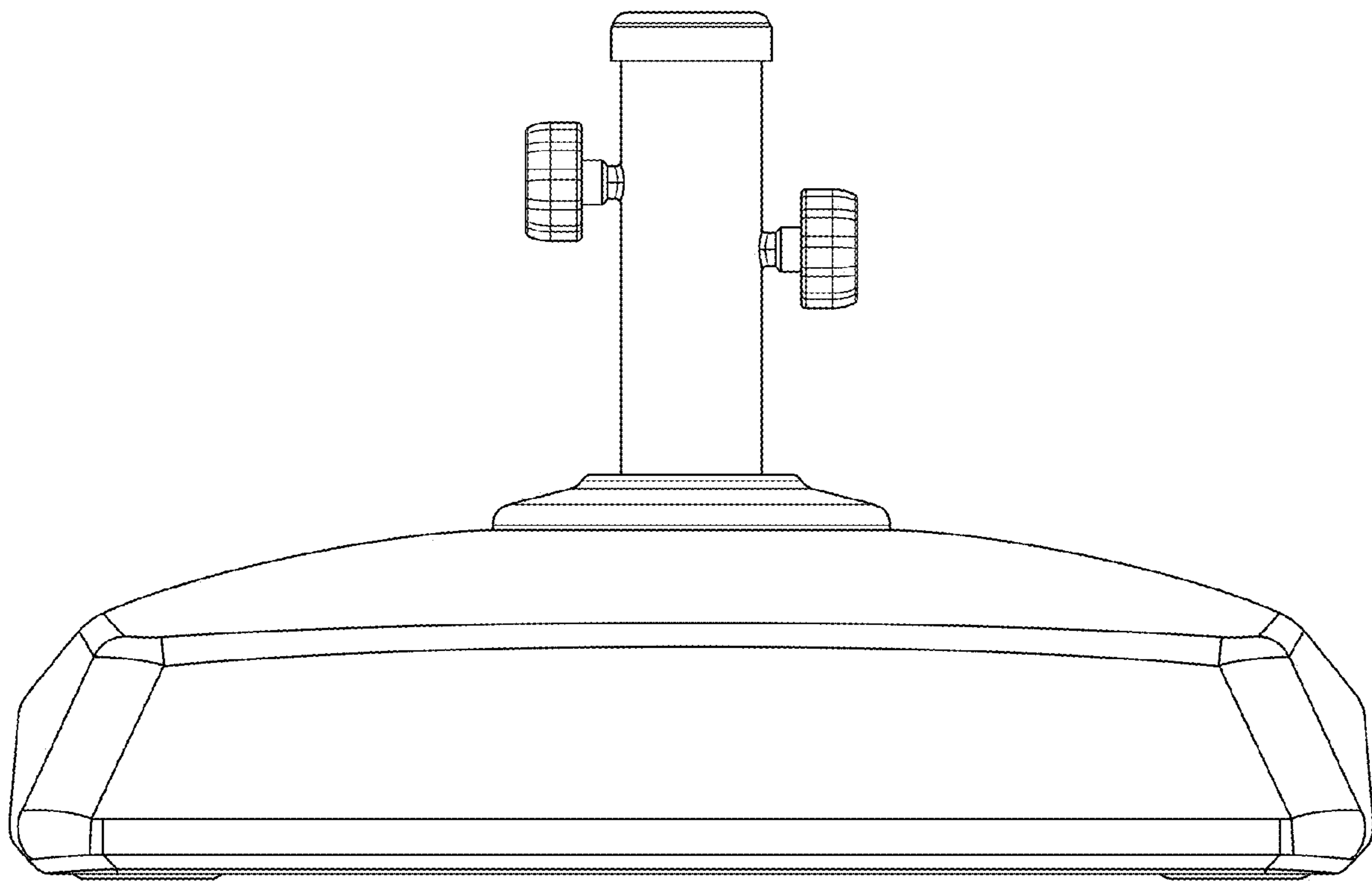


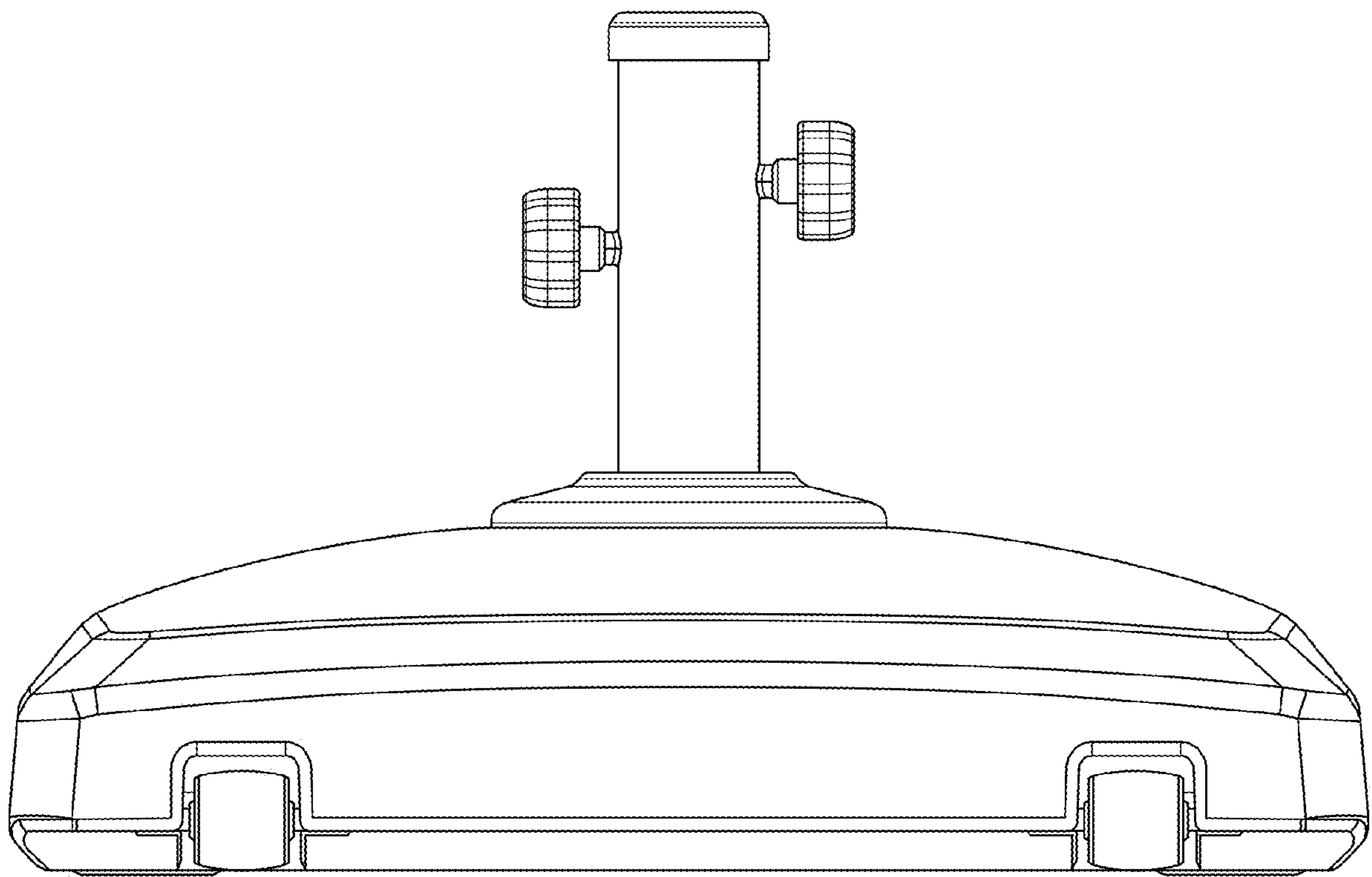
Fig. 2



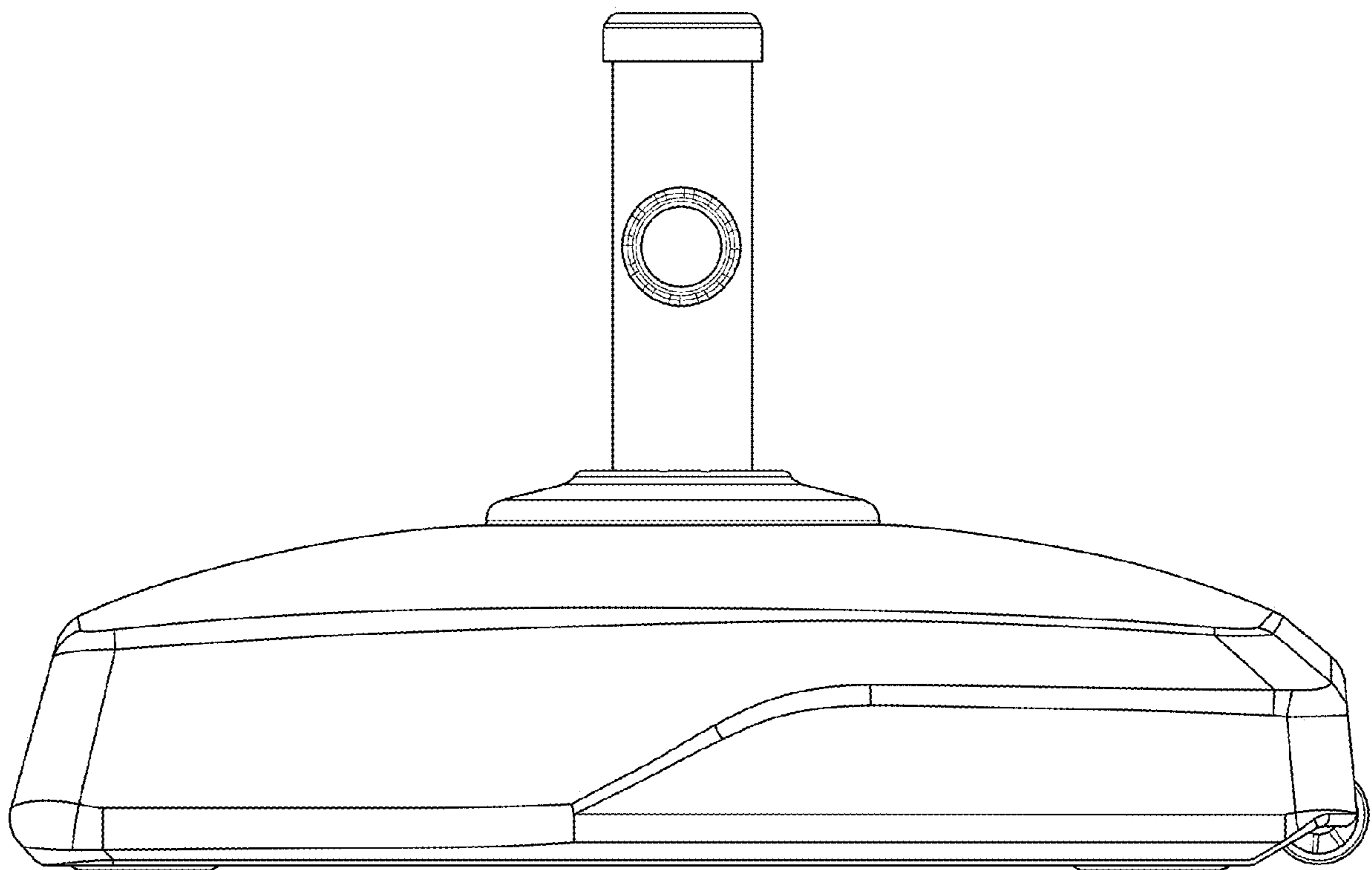


**Fig. 3**

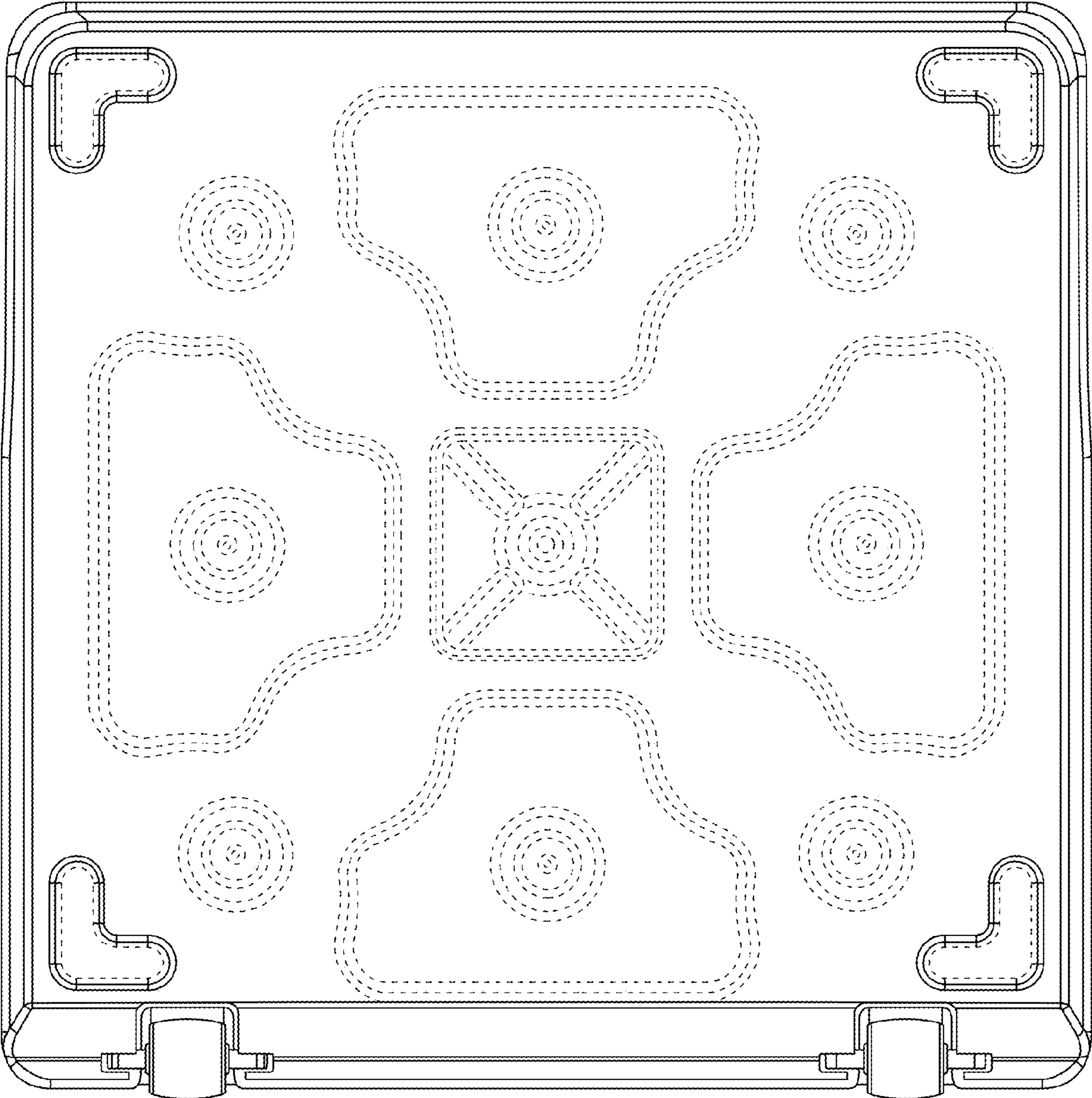




**Fig. 4**

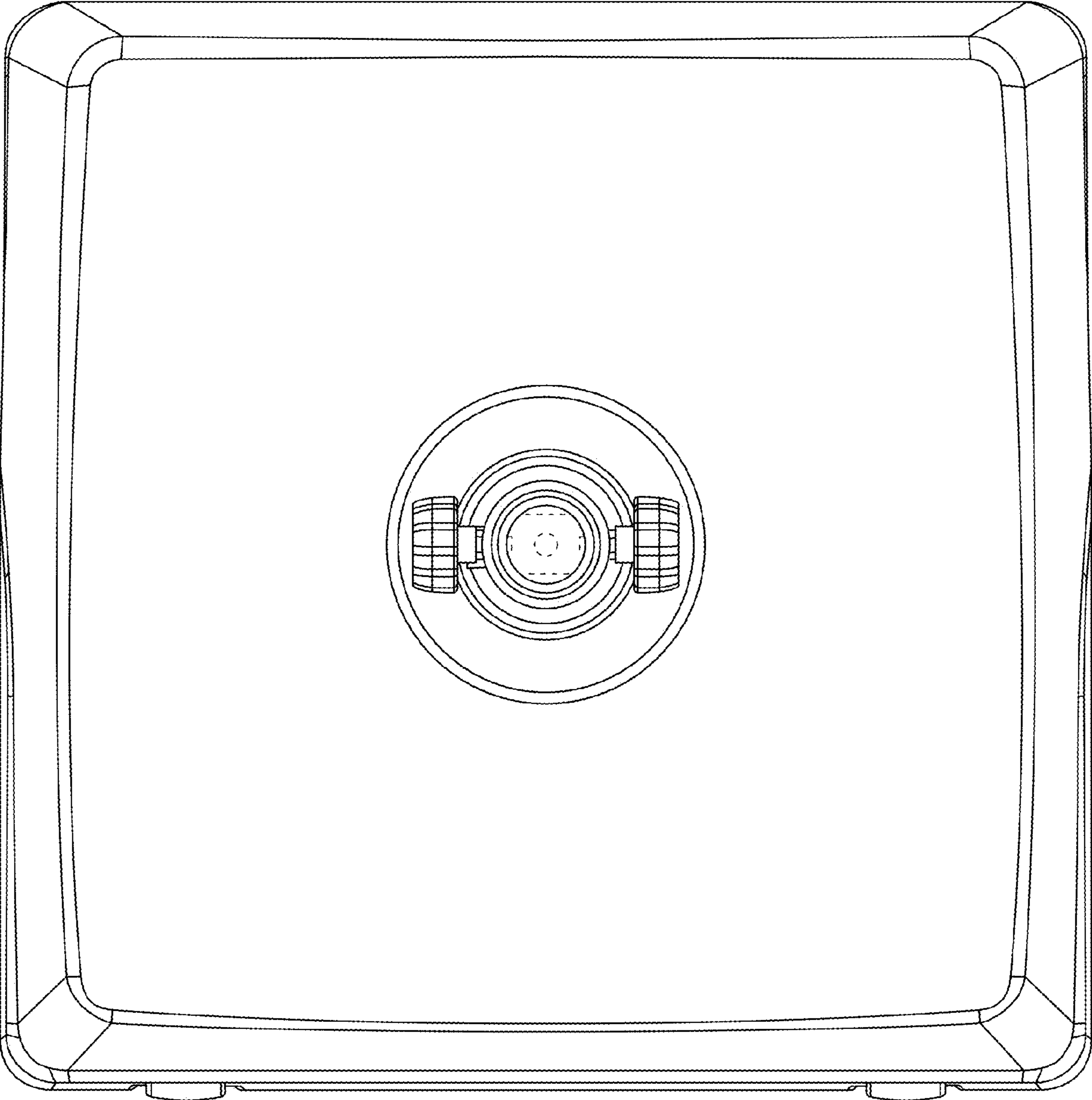


**Fig. 5**



**Fig. 6**





**Fig. 7**