



US00D982305S

(12) **United States Design Patent** (10) **Patent No.:** **US D982,305 S**
Zou (45) **Date of Patent:** **** Apr. 4, 2023**

(54) **WALKING CANE**

FOREIGN PATENT DOCUMENTS

(71) Applicant: **Rehand Medical Technology Co., Ltd.**, Guangdong (CN)

KR 301086075.0000 * 12/2020
KR 301113755.0000 * 6/2021

(72) Inventor: **Jiwu Zou**, Guangdong (CN)

OTHER PUBLICATIONS

(**) Term: **15 Years**

Amazon.com, Site visited Jul. 19, 2022, Hugo Mobility Adjustable Derby Handle Cane, First available Aug. 1, 2011, <https://www.amazon.com/Hugo-Mobility-Adjustable-Handle-Reflective/dp/B005IV0AWY> (Year: 2011).*

(21) Appl. No.: **29/827,319**

(Continued)

(22) Filed: **Feb. 18, 2022**

(51) **LOC (14) Cl.** **03-03**

Primary Examiner — Brett Miller

(52) **U.S. Cl.**
USPC **D3/7**

Assistant Examiner — Jessica M Gebhart

(58) **Field of Classification Search**
USPC D3/5, 6, 7, 8, 9, 10, 11, 12, 13, 14, 15, D3/16, 17
CPC A45B 9/00; A45B 9/04; A61H 3/02
See application file for complete search history.

(74) *Attorney, Agent, or Firm* — Che-Yang Chen; Law Office of Michael Chen

(57) **CLAIM**

The ornamental design for a walking cane, as shown and described.

DESCRIPTION

(56) **References Cited**

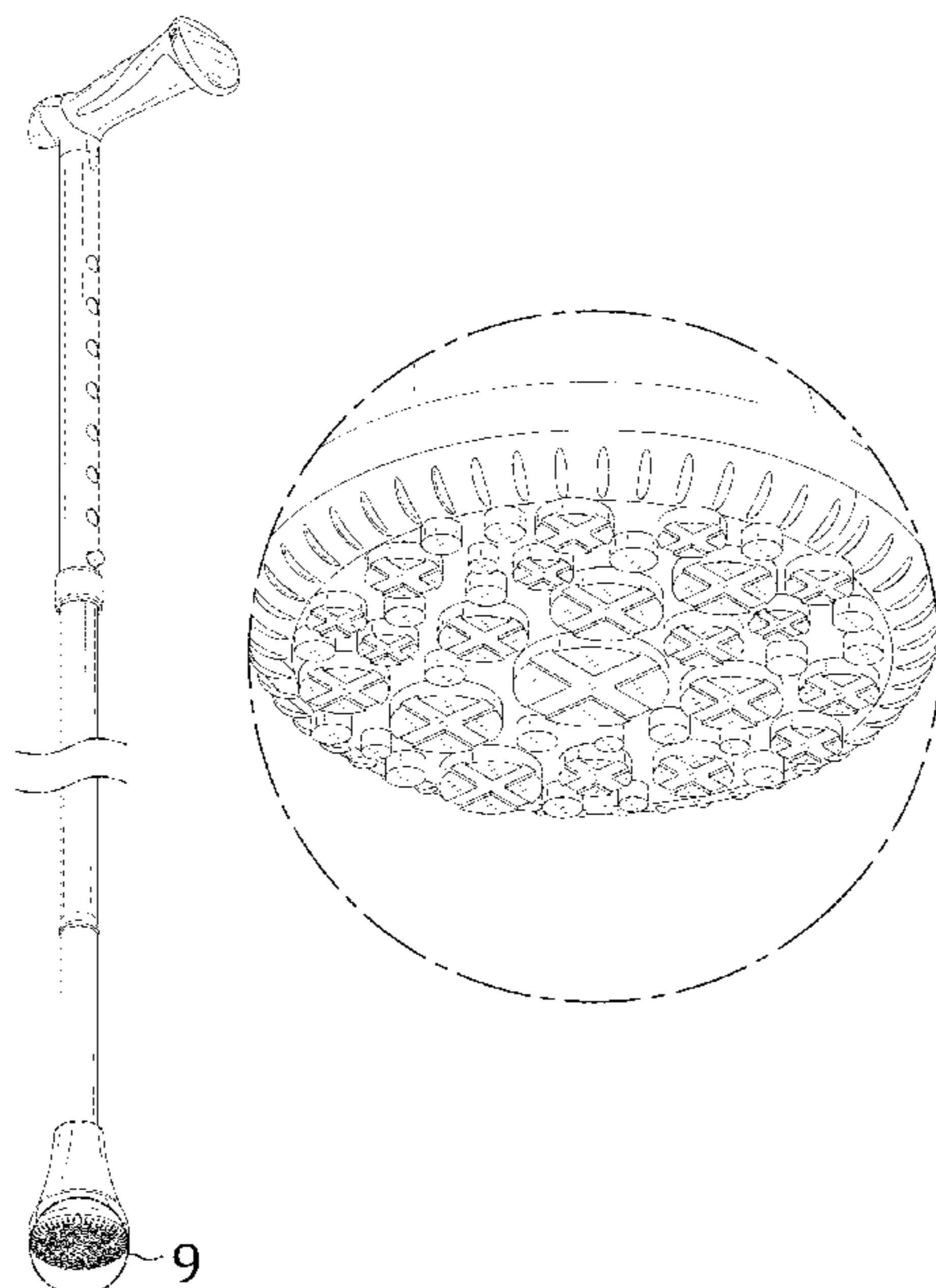
U.S. PATENT DOCUMENTS

6,516,821	B1 *	2/2003	Uemura	F16B 7/1427
					135/65
7,836,904	B1 *	11/2010	Cushman	A45B 3/10
					135/65
D807,022	S *	1/2018	Conley	D3/7
D893,856	S	8/2020	Benjamin		
D895,266	S	9/2020	Benjamin		
2005/0055977	A1 *	3/2005	Kawakami	A45B 9/04
					52/749.1
2008/0041432	A1 *	2/2008	Willis	A45B 9/02
					135/74
2011/0271990	A1 *	11/2011	Diamond	A45B 9/02
					135/65
2016/0053789	A1 *	2/2016	Wang	A45B 3/00
					248/407

FIG. 1 is a perspective view of the walking cane showing my new design;
FIG. 2 is a perspective view thereof from another angle;
FIG. 3 is a front elevational view thereof;
FIG. 4 is a rear elevational view thereof;
FIG. 5 is a left side elevational view thereof;
FIG. 6 is a right side elevational view thereof;
FIG. 7 is a top plan view thereof;
FIG. 8 is a bottom plan view thereof; and,
FIG. 9 is an enlarged view of a portion indicated with numeric 9 in FIG. 1.

The broken lines shown in the drawings are included for the purpose of illustrating portions of the walking cane that form no part of the claimed design. The solid waved lines shown in FIGS. 1-6 depict symbolic break lines and form no part of the claimed design.

1 Claim, 9 Drawing Sheets



(56)

References Cited

OTHER PUBLICATIONS

Walmart.com, Site visited Jul. 19, 2022, Equate Comfort Grip Walking Cane, Oldest review dated Apr. 5, 2019, <https://www.walmart.com/ip/Equate-Comfort-Grip-Walking-Cane-Height-Adjustable-Cane-With-Wrist-Strap-Black/14179114?afhpid=14179114&athpgid> (Year: 2019).*

Carex.com, Site visited Jul. 19, 2022, Carex Soft Grip Derby Cane, Oldest review dated Dec. 29, 2020, <https://carex.com/collections/walking-canes/products/carex-soft-grip-derby-cane-black> (Year: 2020).*

* cited by examiner

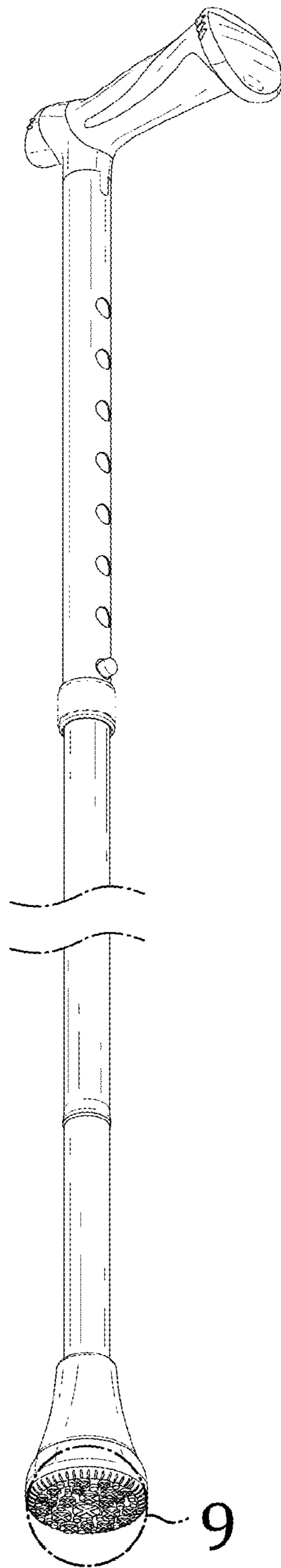


FIG. 1

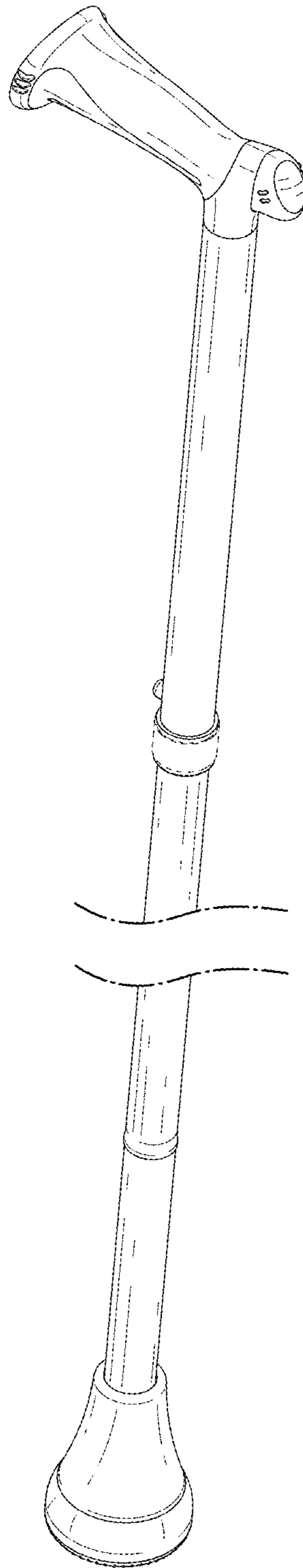


FIG. 2

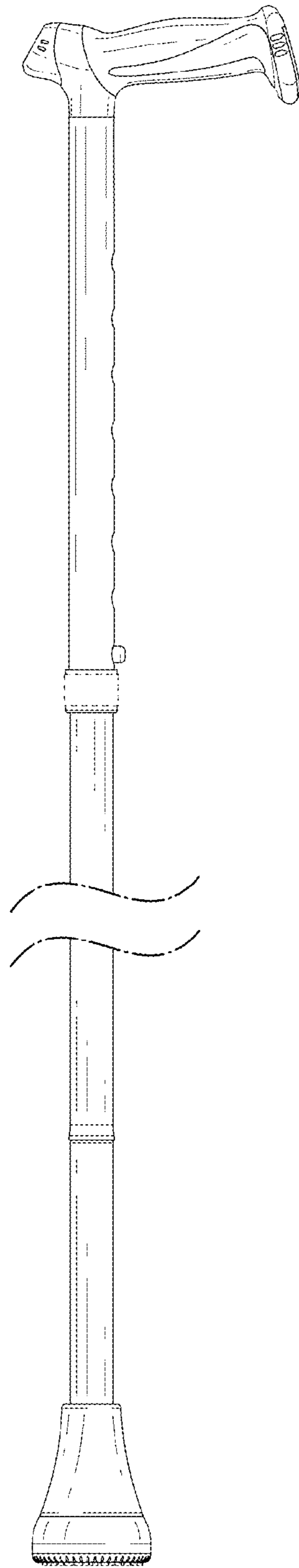


FIG. 3

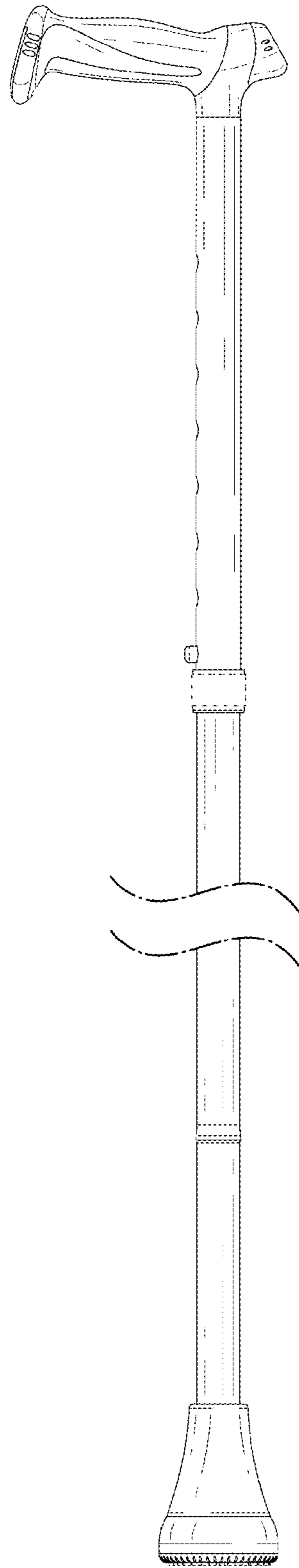


FIG. 4

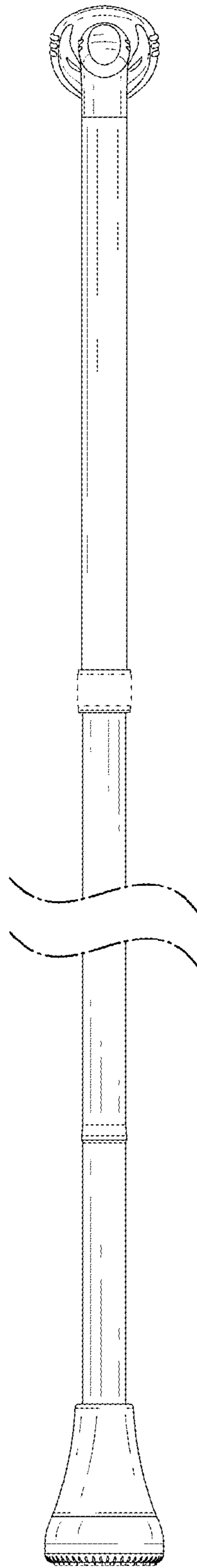


FIG. 5

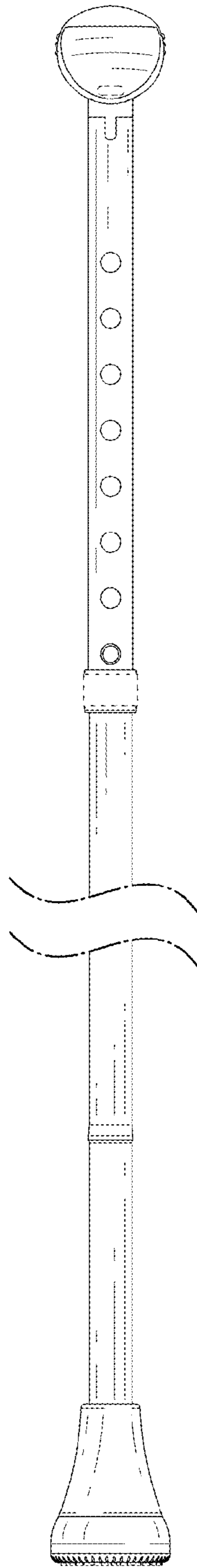


FIG. 6

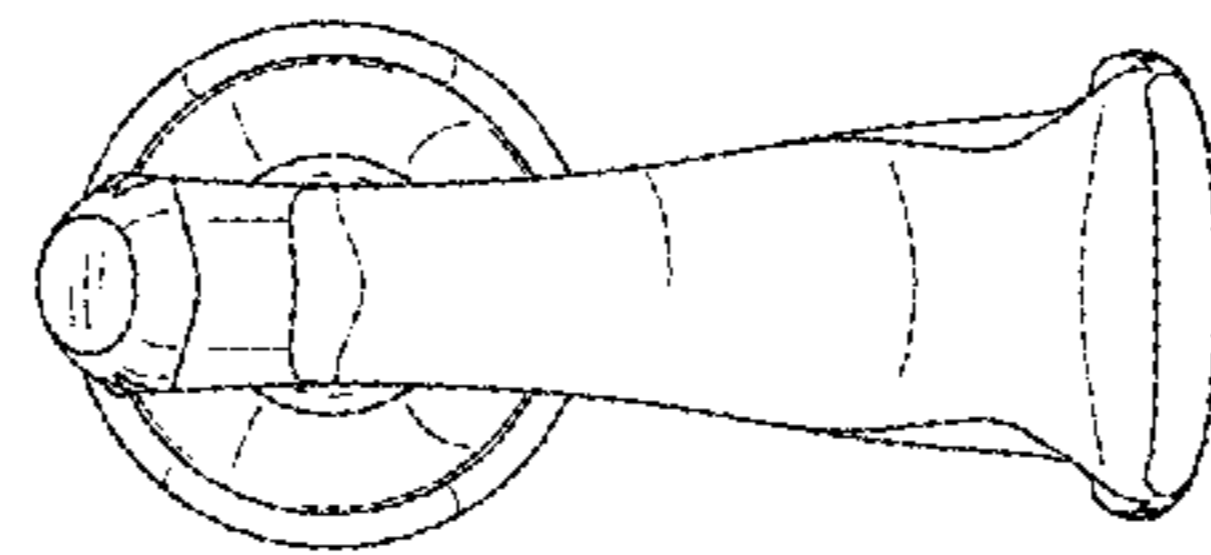


FIG. 7

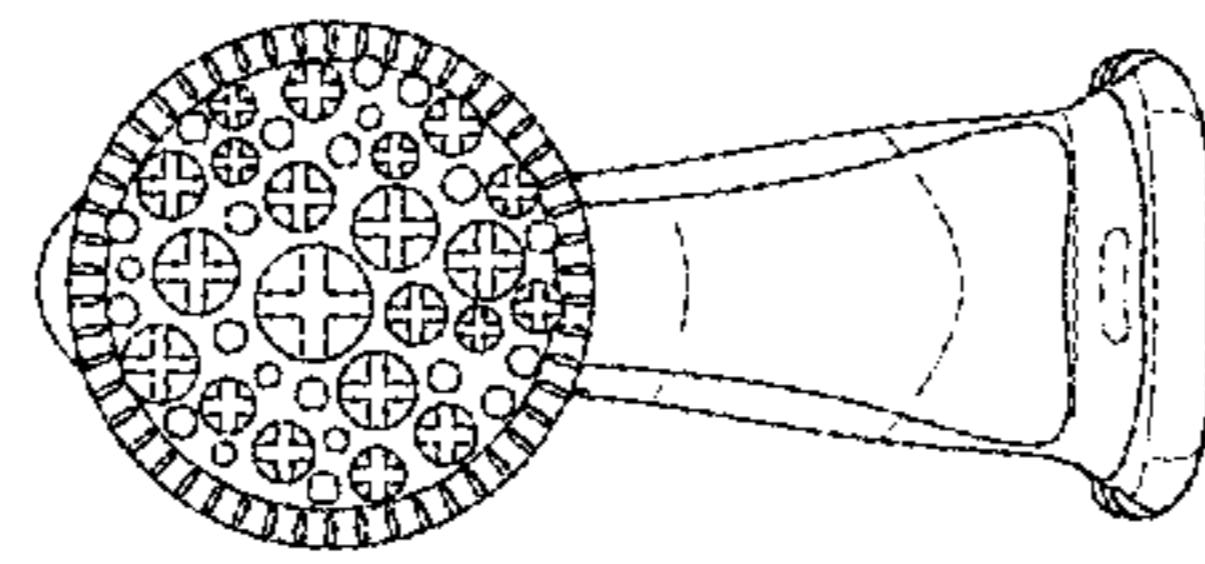


FIG. 8

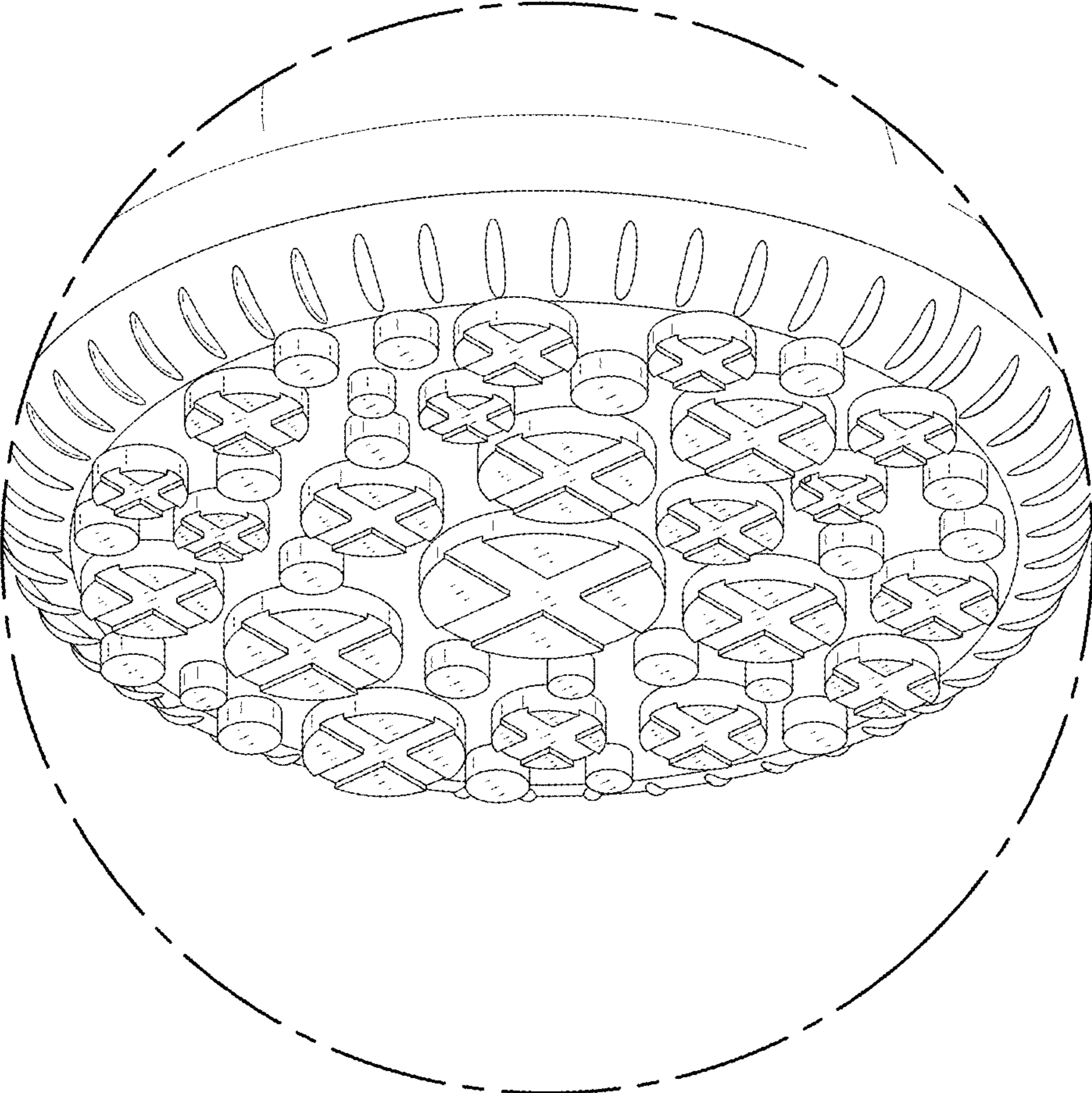


FIG. 9