



US00D982292S

(12) **United States Design Patent**
Sun

(10) **Patent No.:** **US D982,292 S**

(45) **Date of Patent:** **** Apr. 4, 2023**

(54) **GARDEN SHOE**

(71) Applicant: **Quanzhou Fanwa Electronic Technology Co., Ltd., Fujian (CN)**

(72) Inventor: **Junren Sun, Fujian (CN)**

(73) Assignee: **Quanzhou Fanwa Electronic Technology Co., Ltd., Fujian (CN)**

(**) Term: **15 Years**

(21) Appl. No.: **29/801,818**

(22) Filed: **Jul. 30, 2021**

(30) **Foreign Application Priority Data**

Jun. 30, 2021 (CN) 202130410744.1

(51) **LOC (14) Cl.** **02-04**

(52) **U.S. Cl.**
USPC **D2/918; D2/923; D2/951**

(58) **Field of Classification Search**
USPC D2/896-900, 916-919, 923-926, 943,
D2/947-951, 969, 972

CPC A43B 1/0081; A43B 3/12; A43B 3/10;
A43B 13/00-04; A43B 1/10-14
See application file for complete search history.

(56) **References Cited**

U.S. PATENT DOCUMENTS

843,199 A * 2/1907 Doyle A43B 5/18
36/7.5
2,173,702 A * 9/1939 Winkel A43B 3/12
D2/918
2,262,680 A * 11/1941 Hosker A43B 3/12
D2/918
3,352,033 A * 11/1967 Colley A43B 3/128
36/11.5
D231,379 S * 4/1974 Fields D2/918
3,930,322 A * 1/1976 Endo A43B 3/108
36/11.5
D248,126 S * 6/1978 Anderson D2/918

D270,964 S * 10/1983 Archibald D2/916
D332,345 S * 1/1993 Duffy D2/955
D337,878 S * 8/1993 Lucarelli A43B 9/18
D2/960
D341,246 S * 11/1993 Lucarelli D12/546
D384,493 S * 10/1997 McClain D2/916
D523,614 S * 6/2006 Mitchell A43B 3/12
D2/951
D545,033 S * 6/2007 Wolf D2/926

(Continued)

OTHER PUBLICATIONS

“Balenciaga platform crocs”, google image search, www.google.com Jan. 26, 2023. 3pgs (Year: 2023).*

Primary Examiner — Rashida C. Walshon

(74) *Attorney, Agent, or Firm* — ScienBiziP, P.C.

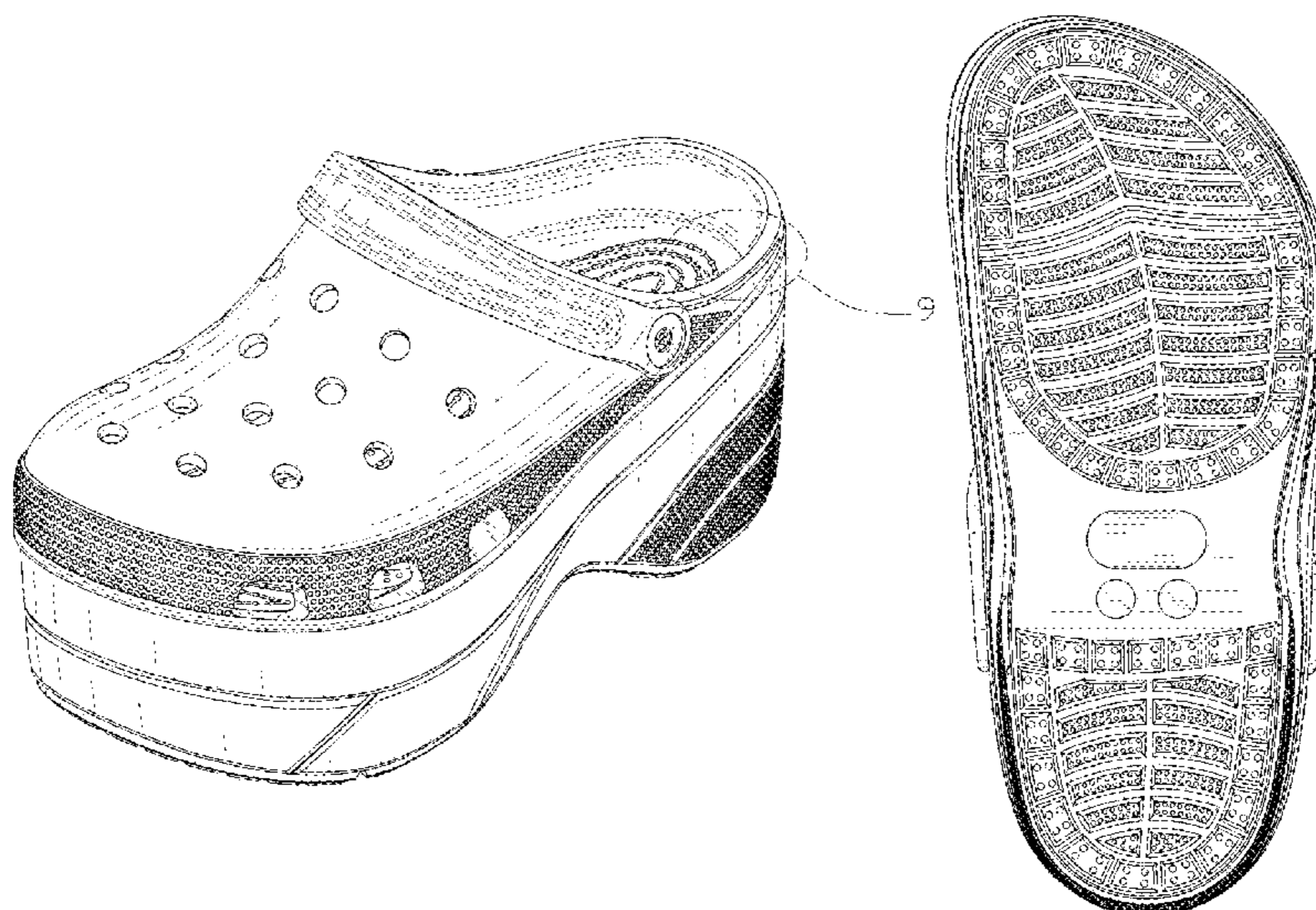
(57) **CLAIM**

The ornamental design for a garden shoe, as shown and described.

DESCRIPTION

FIG. 1 is a front, right, and top perspective view of a garden shoe, showing my design.
FIG. 2 is a rear, left, and bottom perspective view thereof.
FIG. 3 is a front elevation view thereof.
FIG. 4 is a rear elevation view thereof.
FIG. 5 is a left side elevation view thereof.
FIG. 6 is a right side elevation view thereof.
FIG. 7 is a top plan view thereof.
FIG. 8 is a bottom plan view thereof.
FIG. 9 is a partial enlarged view of an area labeled 9 in FIG. 1 comprising a part of a heelpiece; and
FIG. 10 is a partial enlarged view of an area labeled 10 in FIG. 2 comprising a part of a sole.
A garden shoe for a right foot is a mirror image of the garden shoe for a left foot as shown in FIGS. 1 to 8.

1 Claim, 10 Drawing Sheets



(56)

References Cited

U.S. PATENT DOCUMENTS

D567,483 S * 4/2008 Liow D2/896
D575,480 S * 8/2008 Zimmerman D2/896
D579,182 S * 10/2008 Klavano D2/916
D725,351 S * 3/2015 Tref D2/918
D726,397 S * 4/2015 Del Biondi D2/923
D801,011 S * 10/2017 Del Biondi D2/916
D825,899 S * 8/2018 Engerman A43B 3/108
D2/923
D886,425 S * 6/2020 Rezaie D2/947
D910,288 S * 2/2021 Funck A43B 5/18
D2/923
D932,751 S * 10/2021 Funck D2/947
2003/0200675 A1 * 10/2003 Gross A43B 13/36
36/15
2013/0118037 A1 * 5/2013 Bathum A43B 9/18
12/146 B

* cited by examiner

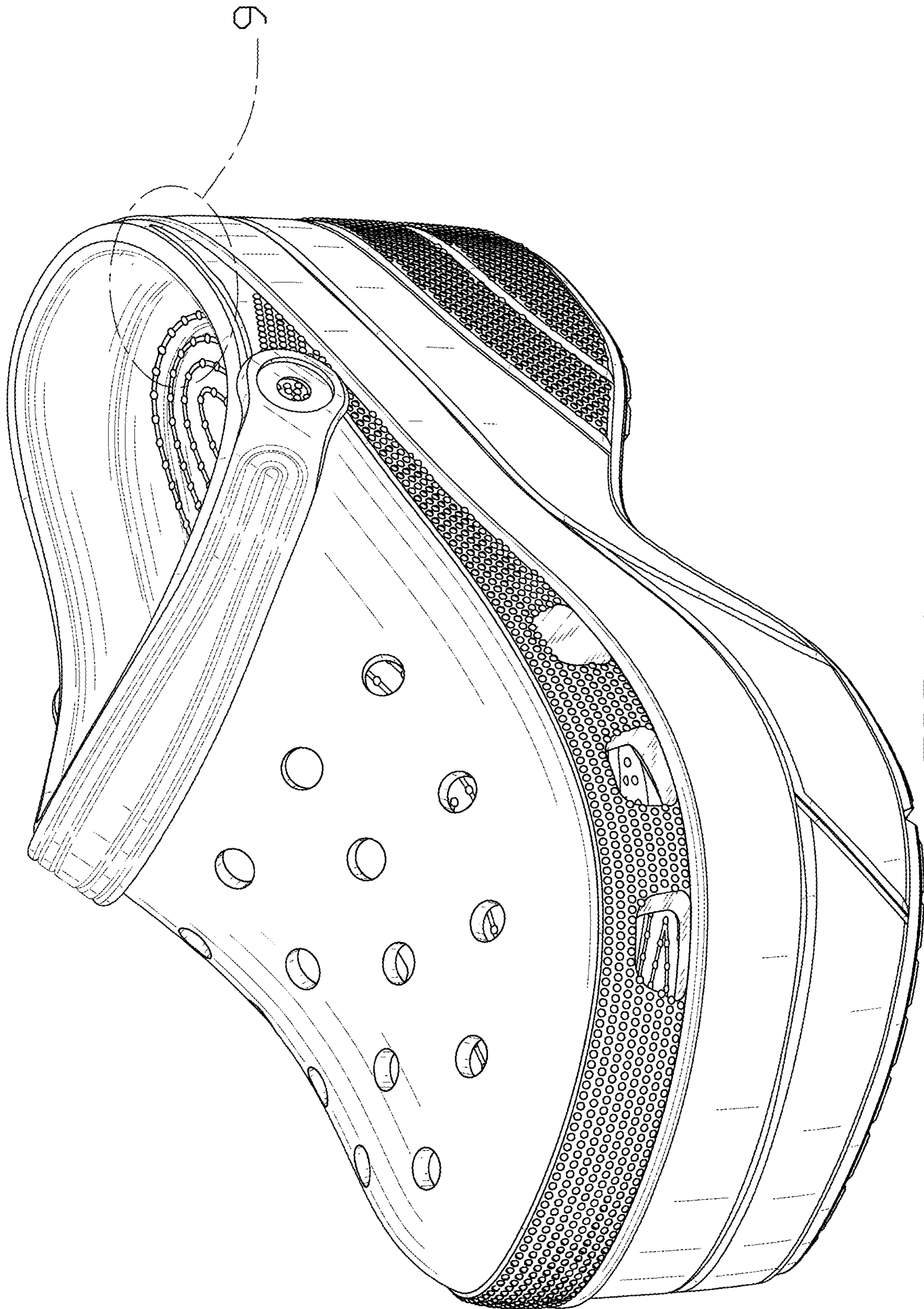


FIG. 1

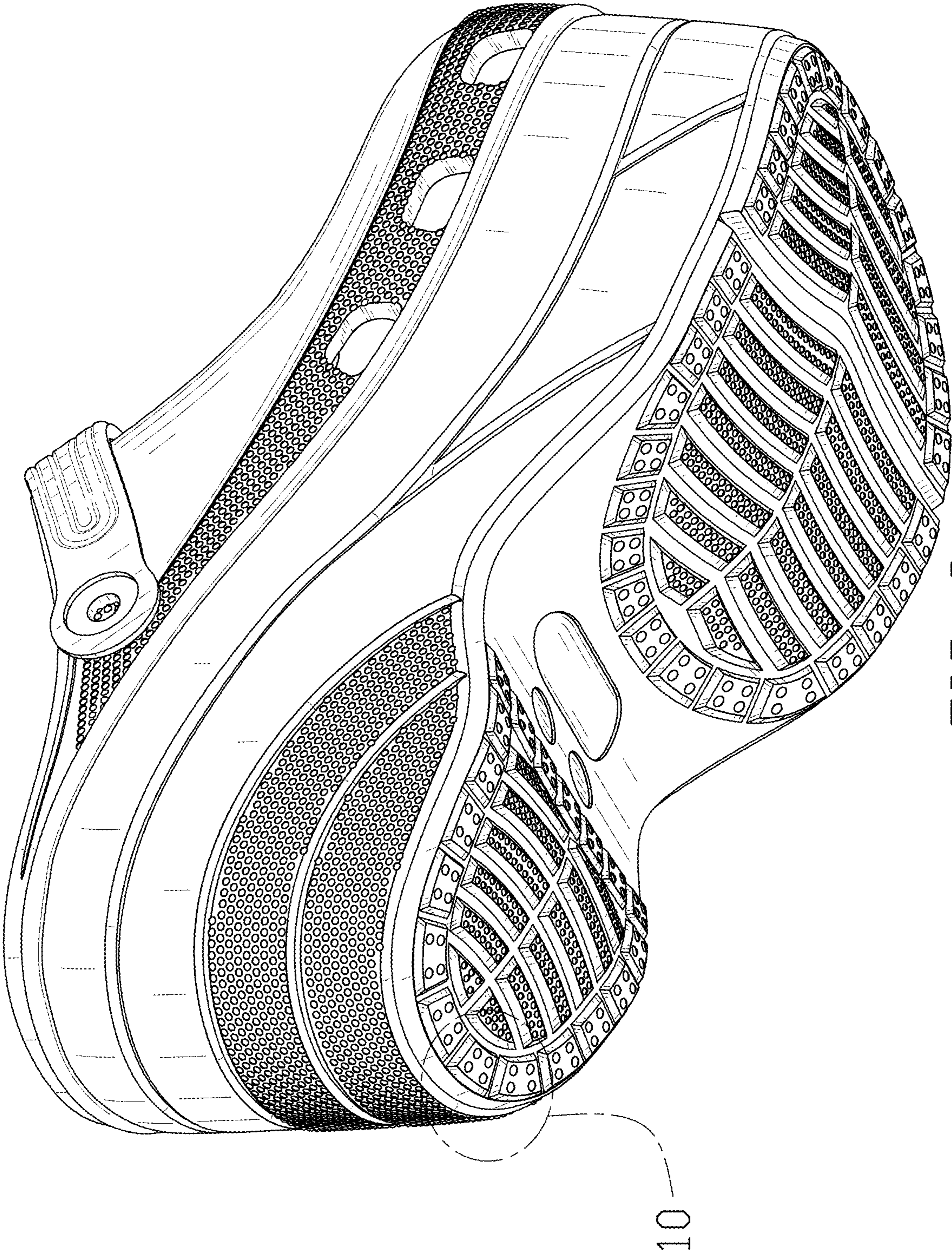


FIG. 2

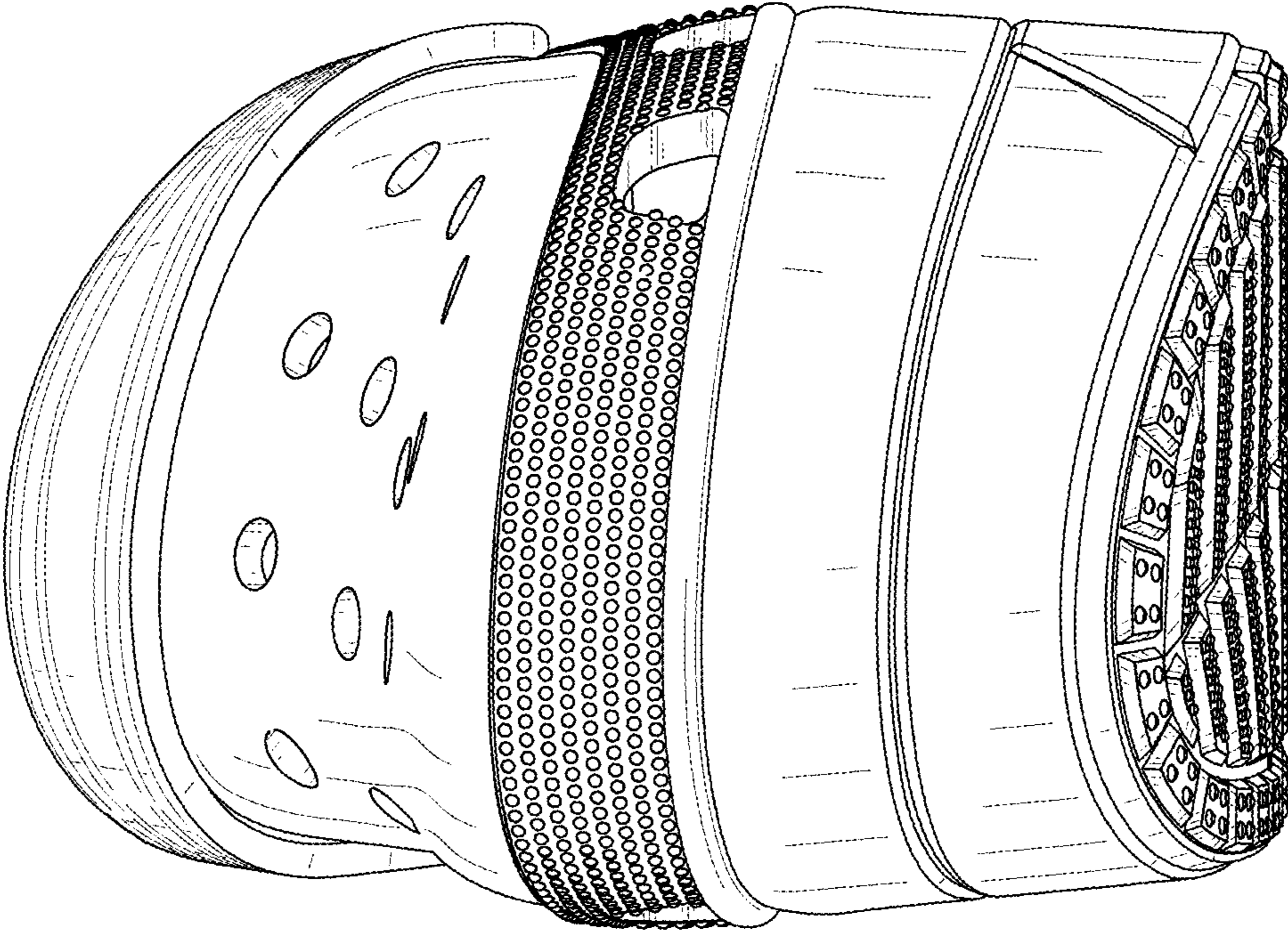


FIG. 3

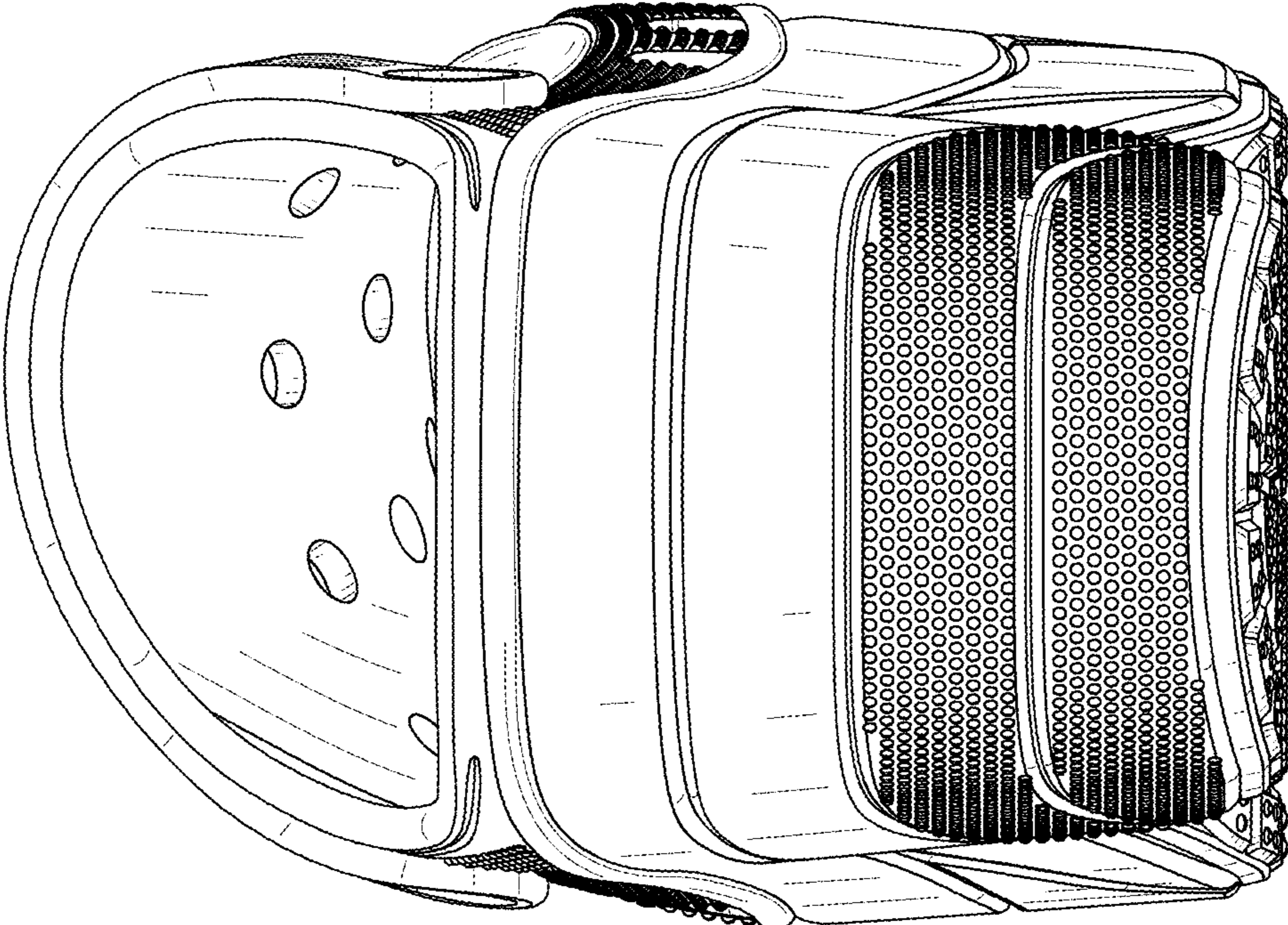


FIG. 4

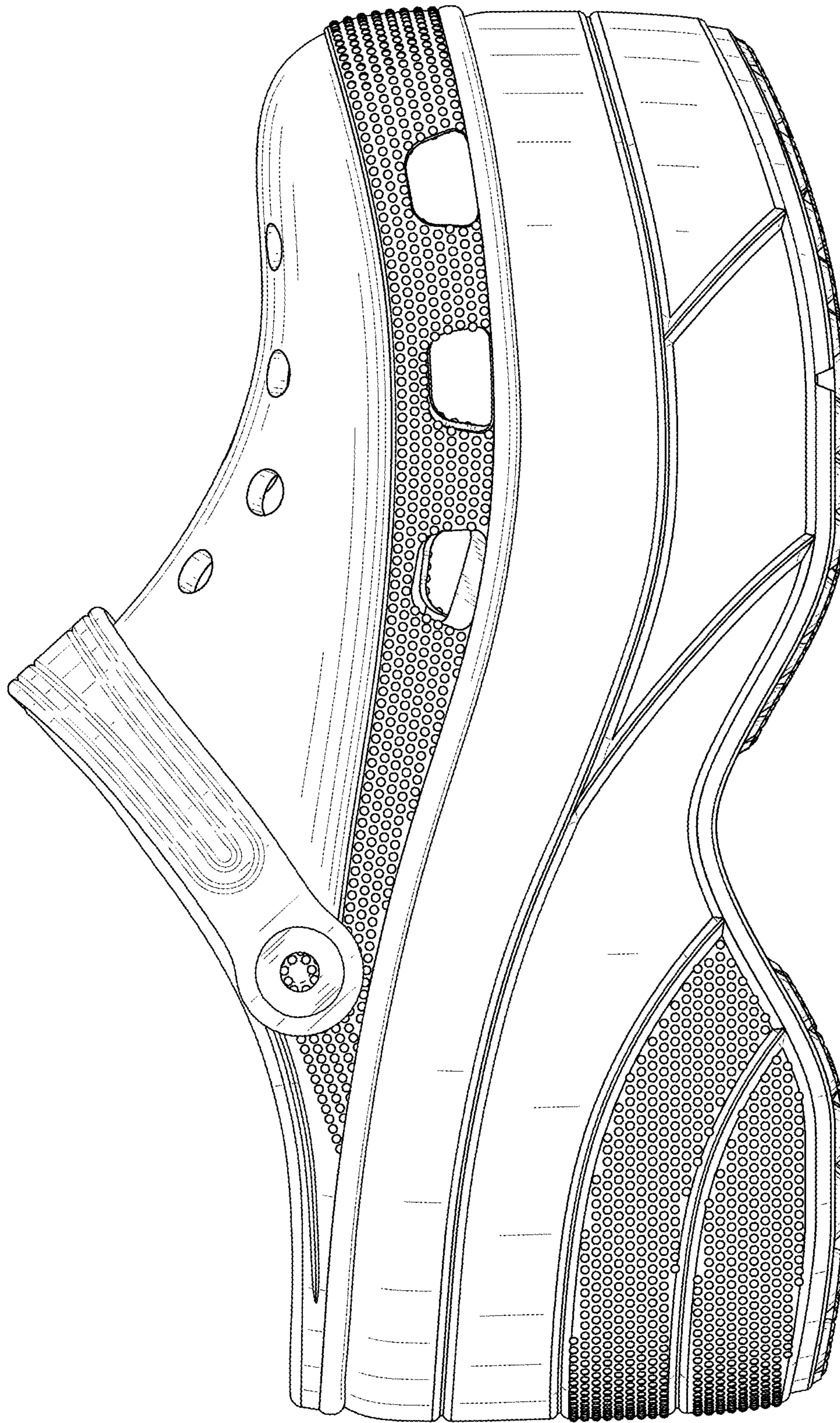


FIG. 5

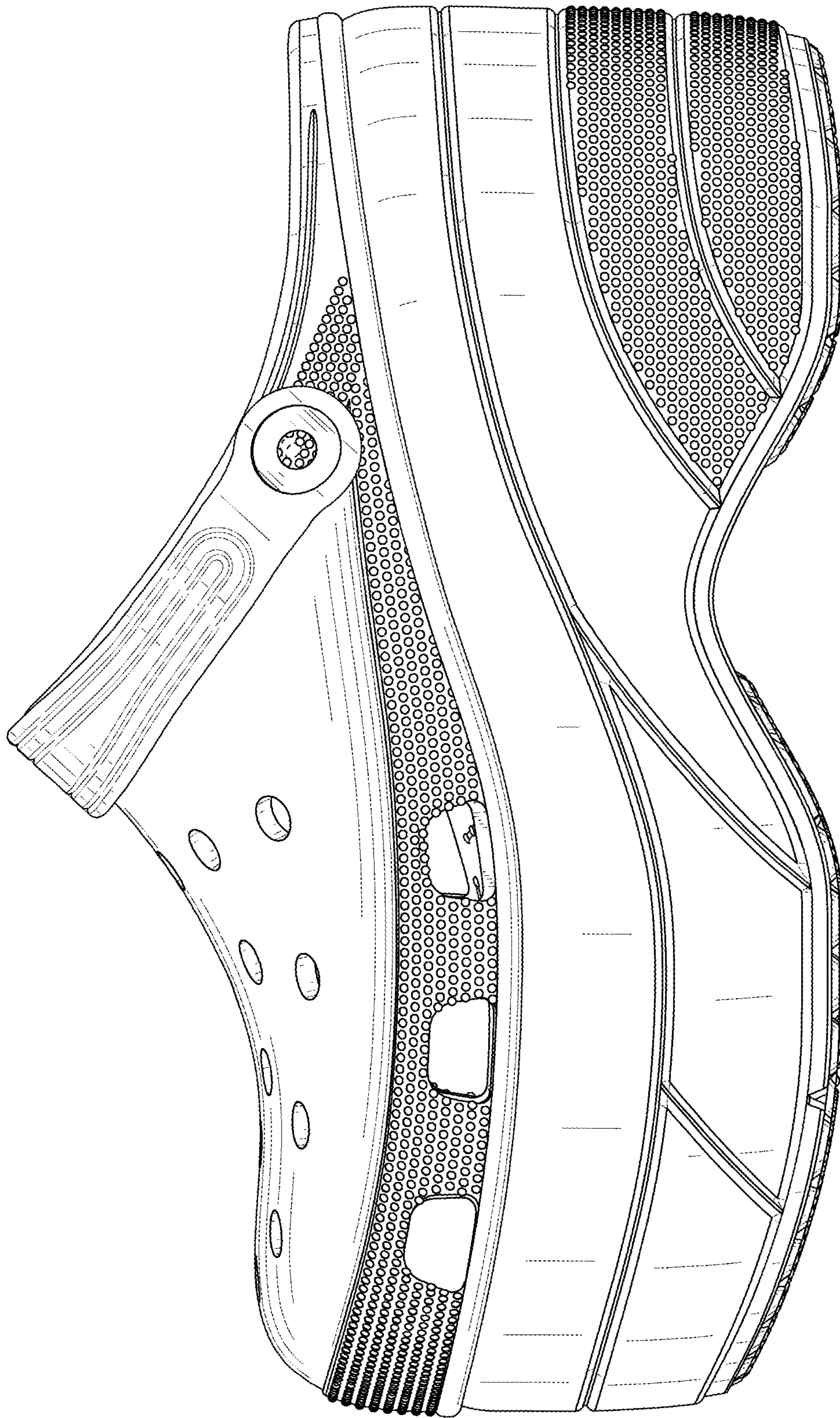


FIG. 6

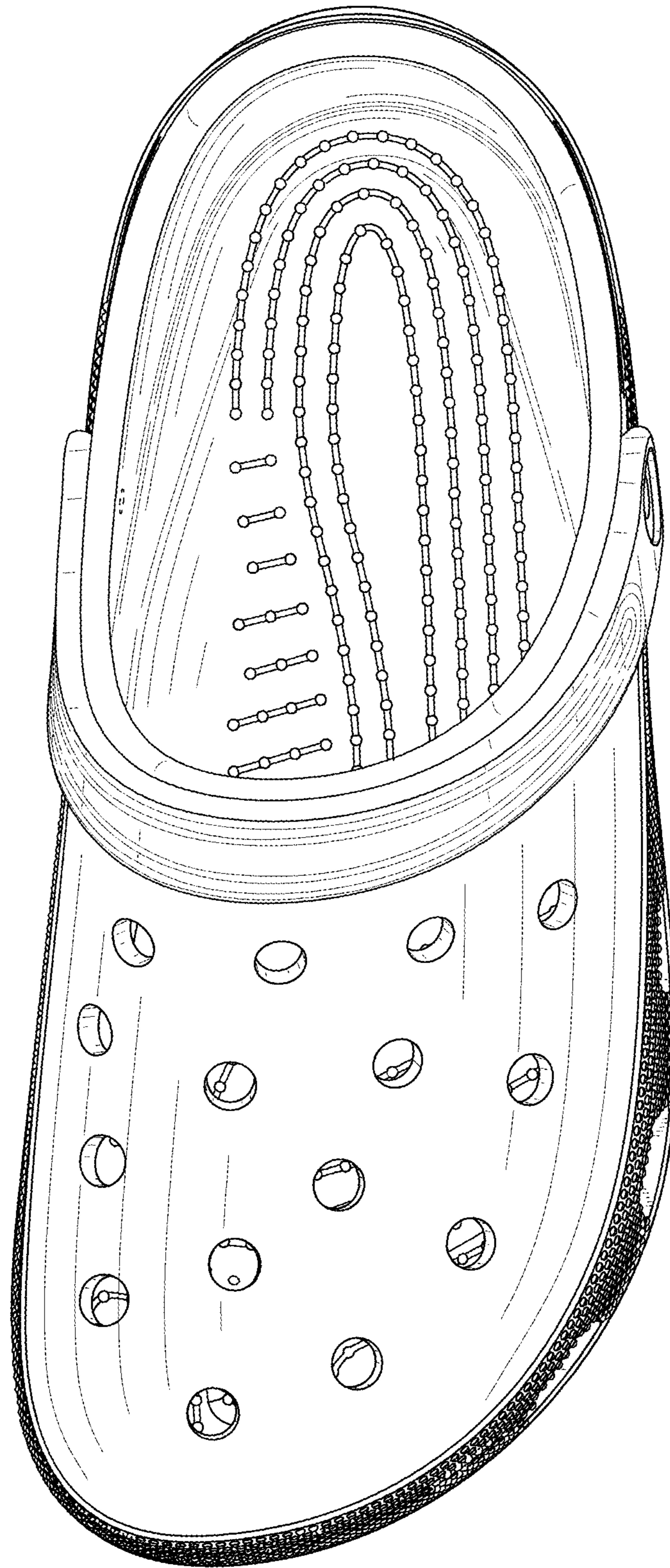


FIG. 7

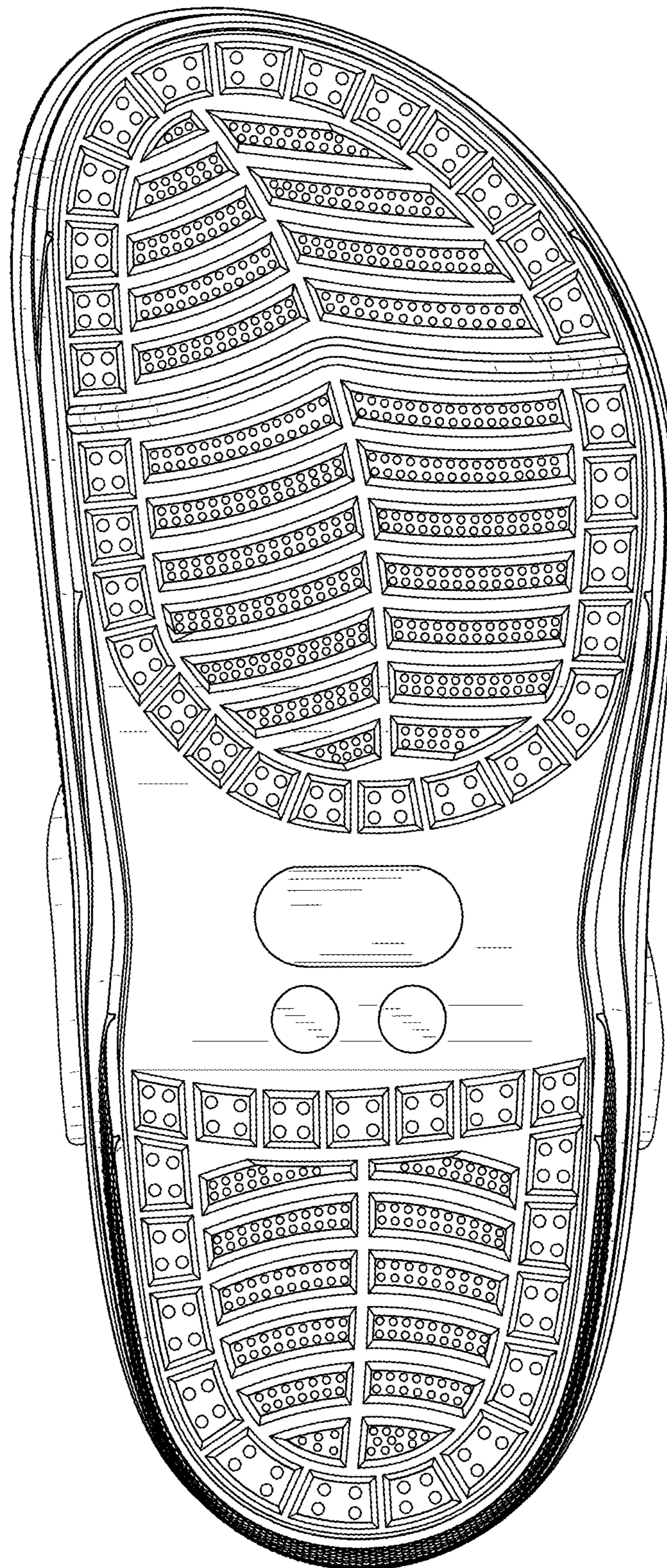


FIG. 8

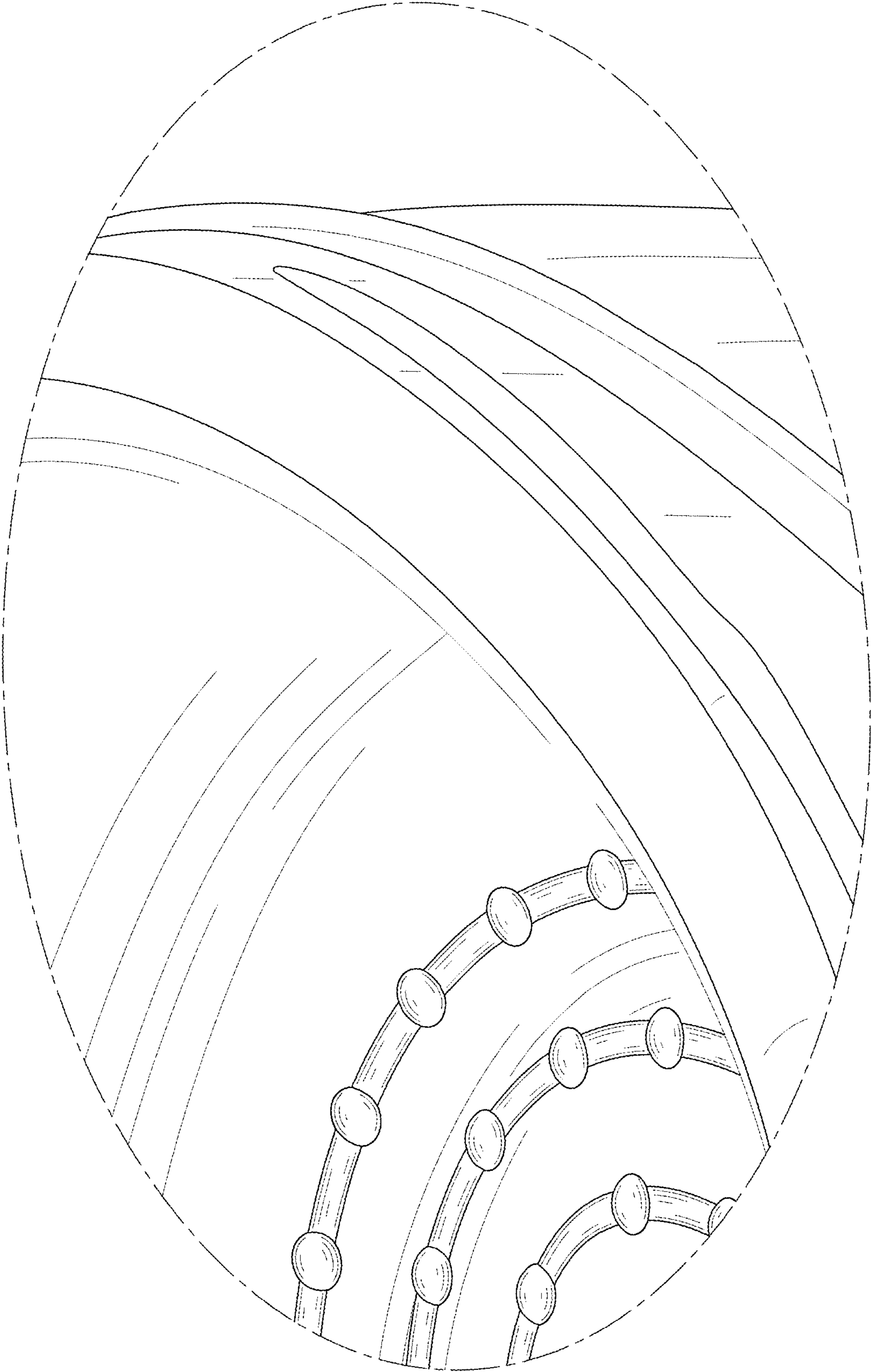


FIG. 9

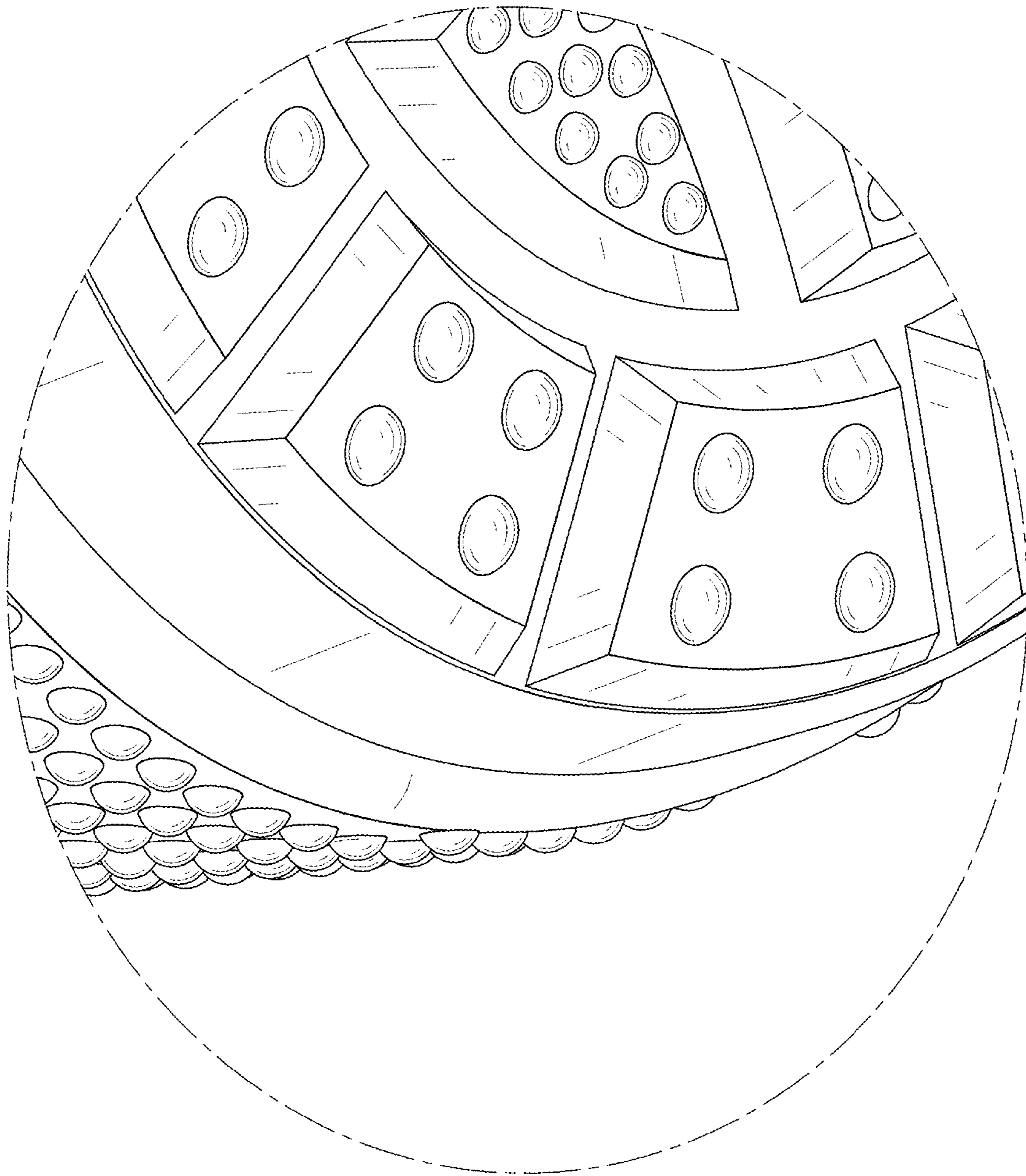


FIG. 10