



US00D982291S

(12) **United States Design Patent**  
**Chen**

(10) **Patent No.:** **US D982,291 S**

(45) **Date of Patent:** **\*\* Apr. 4, 2023**

(54) **SANDAL**

(71) Applicant: **Jinjiang Nuoyi Shoes Co., Ltd.**, Fujian (CN)

(72) Inventor: **Cheng Chen**, Guangdong (CN)

(73) Assignee: **Jinjiang Nuoyi Shoes Co., Ltd.**, Fujian (CN)

(\*\*) Term: **15 Years**

(21) Appl. No.: **29/813,848**

(22) Filed: **Nov. 2, 2021**

(30) **Foreign Application Priority Data**

Aug. 26, 2021 (CN) ..... 202130560077.5

(51) **LOC (14) Cl.** ..... **02-04**

(52) **U.S. Cl.**  
USPC ..... **D2/916; D2/953**

(58) **Field of Classification Search**  
USPC ..... D2/896-900, 902-908, 916-918, 923,  
D2/947-954, 969, 972-974  
CPC ..... A43B 5/001-025; A43B 3/12; A43B 3/16  
See application file for complete search history.

(56) **References Cited**

**U.S. PATENT DOCUMENTS**

D459,863 S *	7/2002	Butler	.....	D2/916
D460,246 S *	7/2002	Butler	.....	D2/916
D506,595 S *	6/2005	Rimple	.....	D2/916
D530,062 S *	10/2006	Schoenborn	.....	D2/916
D541,513 S *	5/2007	Gerber	.....	D2/916
D547,936 S *	8/2007	Masullo	.....	D2/969
D597,291 S *	8/2009	Banik	.....	D2/969
D628,784 S *	12/2010	Joseph	.....	D2/916
D698,532 S *	2/2014	Mochen	.....	D2/916

D708,823 S *	7/2014	Katz	.....	D2/916
D789,664 S *	6/2017	Seo	.....	D2/951
D790,820 S *	7/2017	Seo	.....	D2/951
D796,166 S *	9/2017	Ringholz	.....	D2/916
D804,785 S *	12/2017	Ringholz	.....	D2/916
D820,568 S *	6/2018	Bray, Jr.	.....	D2/947
D851,368 S *	6/2019	Fuerst, Sr.	.....	D2/916
D876,772 S *	3/2020	Brown	.....	D2/951
D907,346 S *	1/2021	Rezaie	.....	D2/947

(Continued)

*Primary Examiner* — Rashida C. Walshon

(74) *Attorney, Agent, or Firm* — ScienBiziP, P.C.

(57) **CLAIM**

The ornamental design for a sandal, as shown and described.

**DESCRIPTION**

FIG. 1 is a front, left and top perspective view of a sandal, showing my design.

FIG. 2 is a rear, right and bottom perspective view thereof.

FIG. 3 is a front elevation view thereof.

FIG. 4 is a rear elevation view thereof.

FIG. 5 is a left side elevation view thereof.

FIG. 6 is a right side elevation view thereof.

FIG. 7 is a top plan view thereof.

FIG. 8 is a bottom plan view thereof.

FIG. 9 is a partial enlarged view of an area labeled 9 in FIG. 1 comprising a strap.

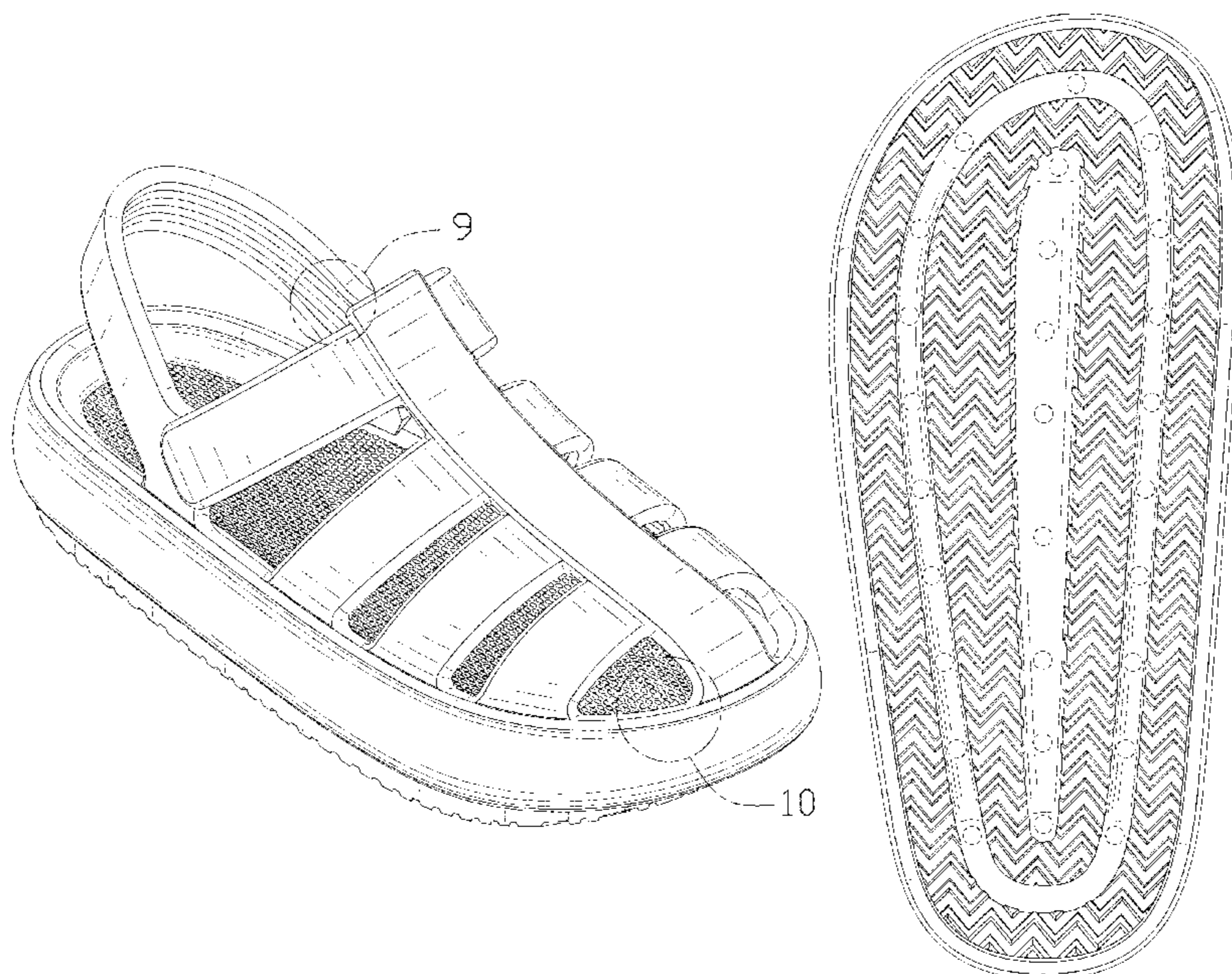
FIG. 10 is a partial enlarged view of an area labeled 10 in FIG. 1 comprising a mesh; and,

FIG. 11 is a partial enlarged view of an area labeled 11 in FIG. 2 comprising a part of a bottom portion of the sandal.

A left shoe of the sandal is a mirror image of the right shoe as shown in FIGS. 1 to 8.

The broken lines shown in the drawings are included for the purpose of illustrating portions of the sandal that form no part of the claimed design.

**1 Claim, 11 Drawing Sheets**



(56)

**References Cited**

U.S. PATENT DOCUMENTS

D909,025 S \* 2/2021 Fuerst, Sr. .... D2/916  
D919,943 S \* 5/2021 Zhang ..... D2/954

\* cited by examiner

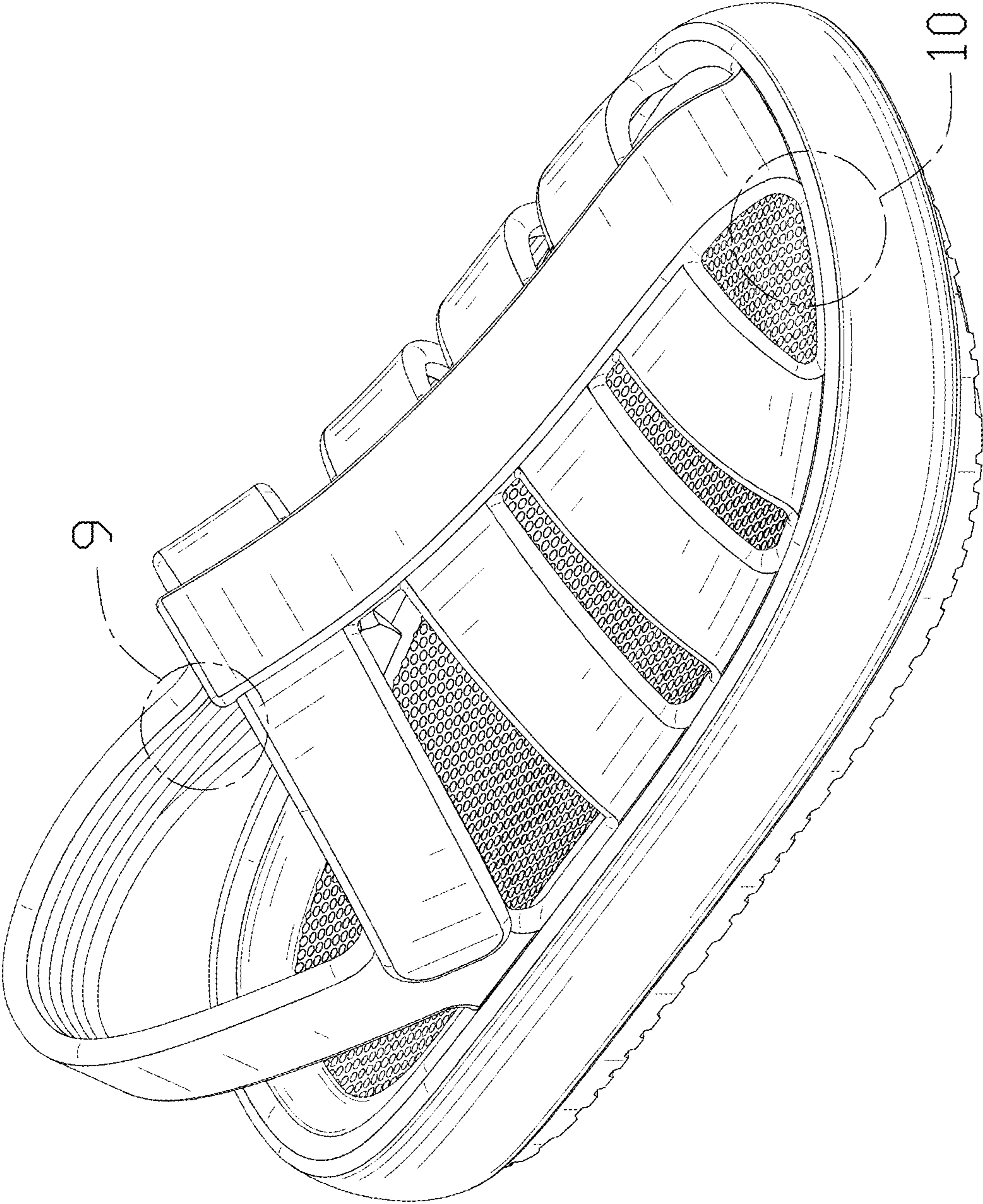


FIG. 1

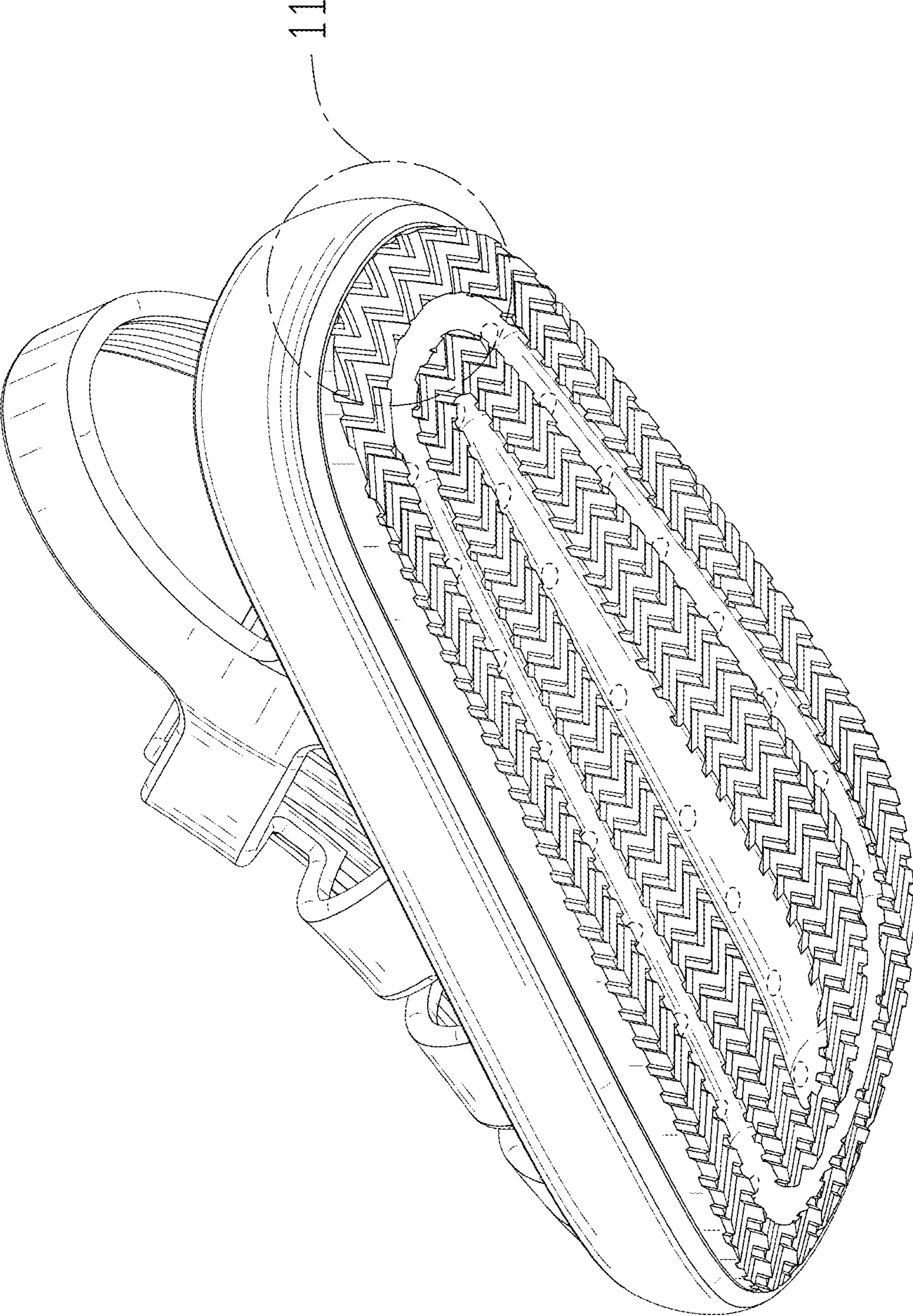


FIG. 2

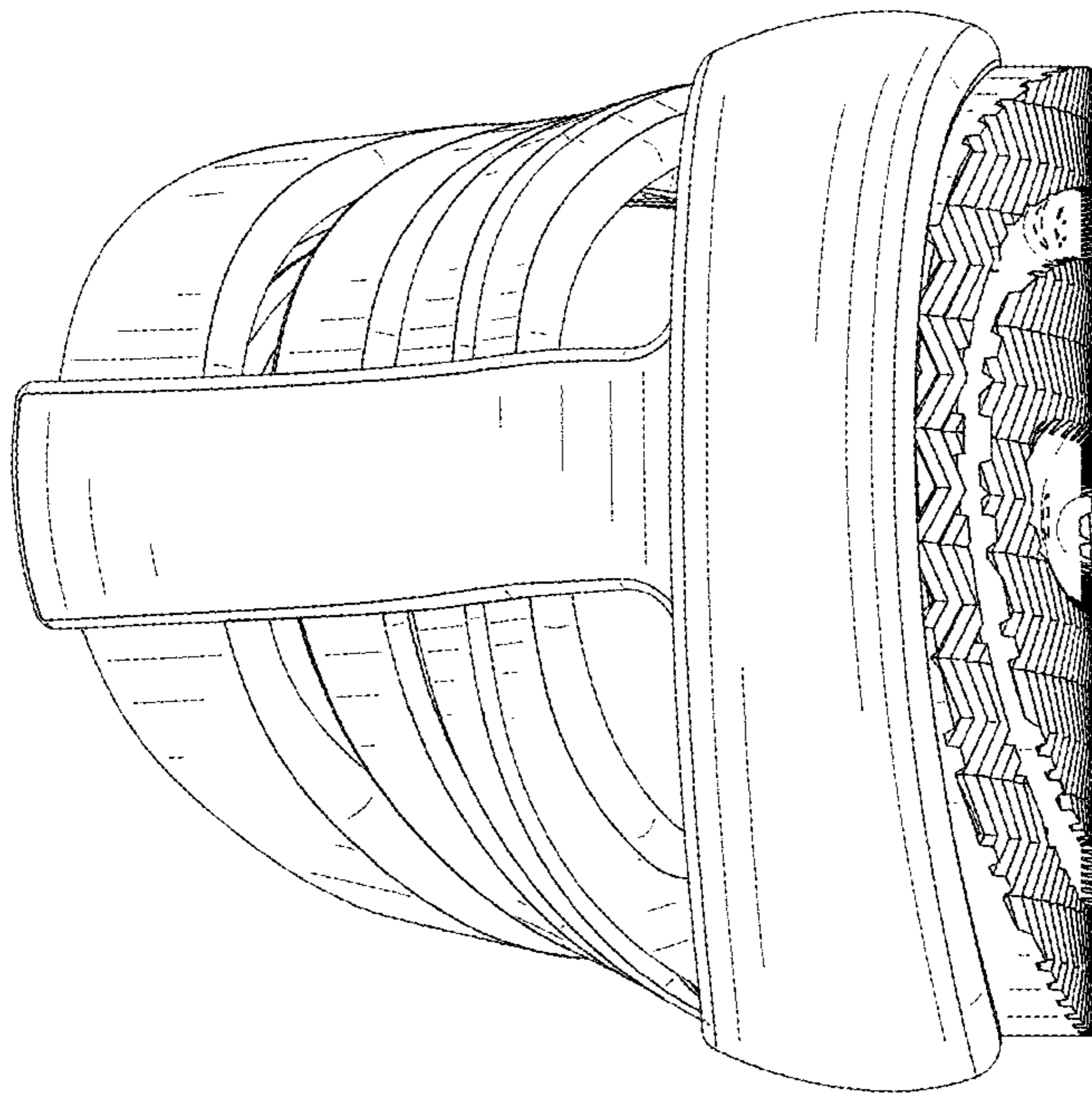


FIG. 3

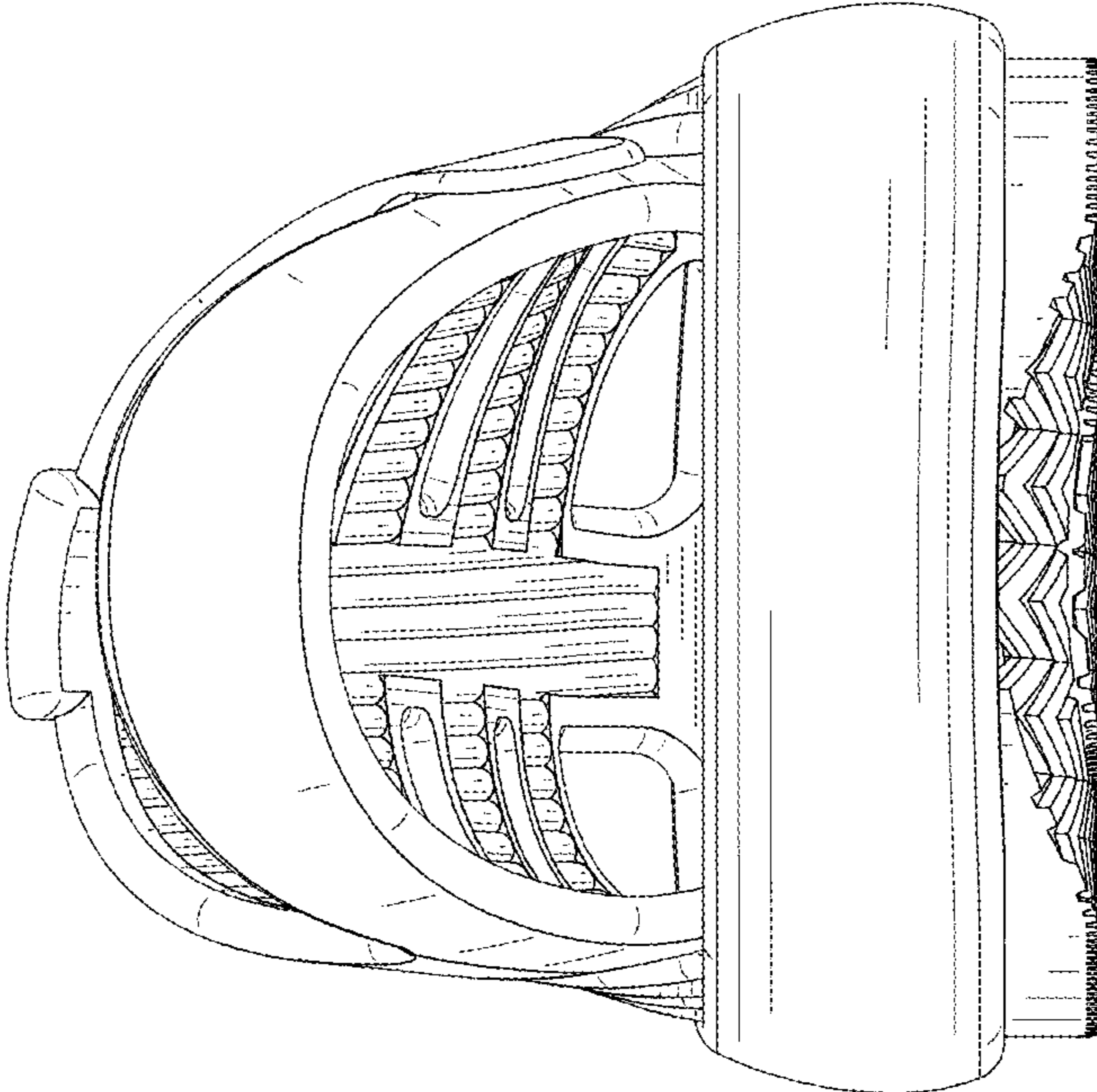


FIG. 4

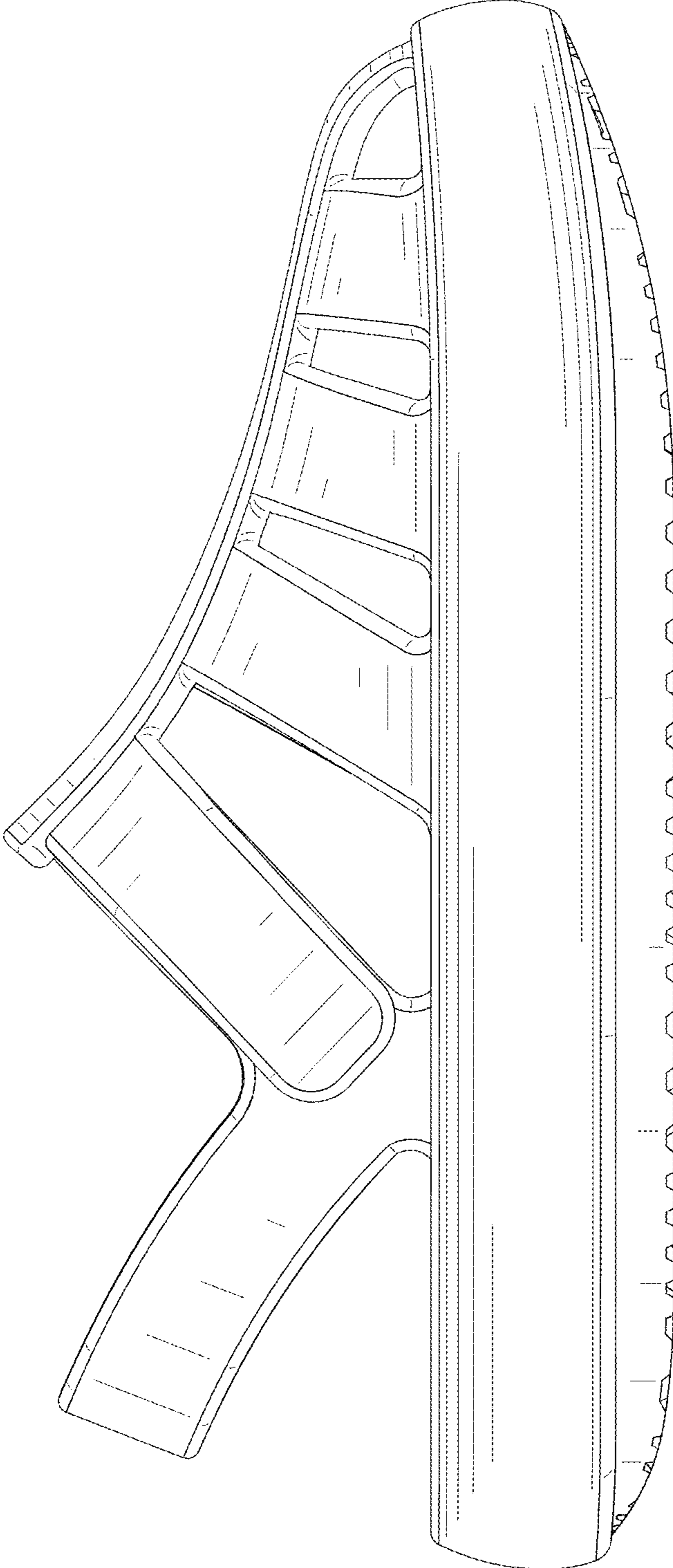


FIG. 5

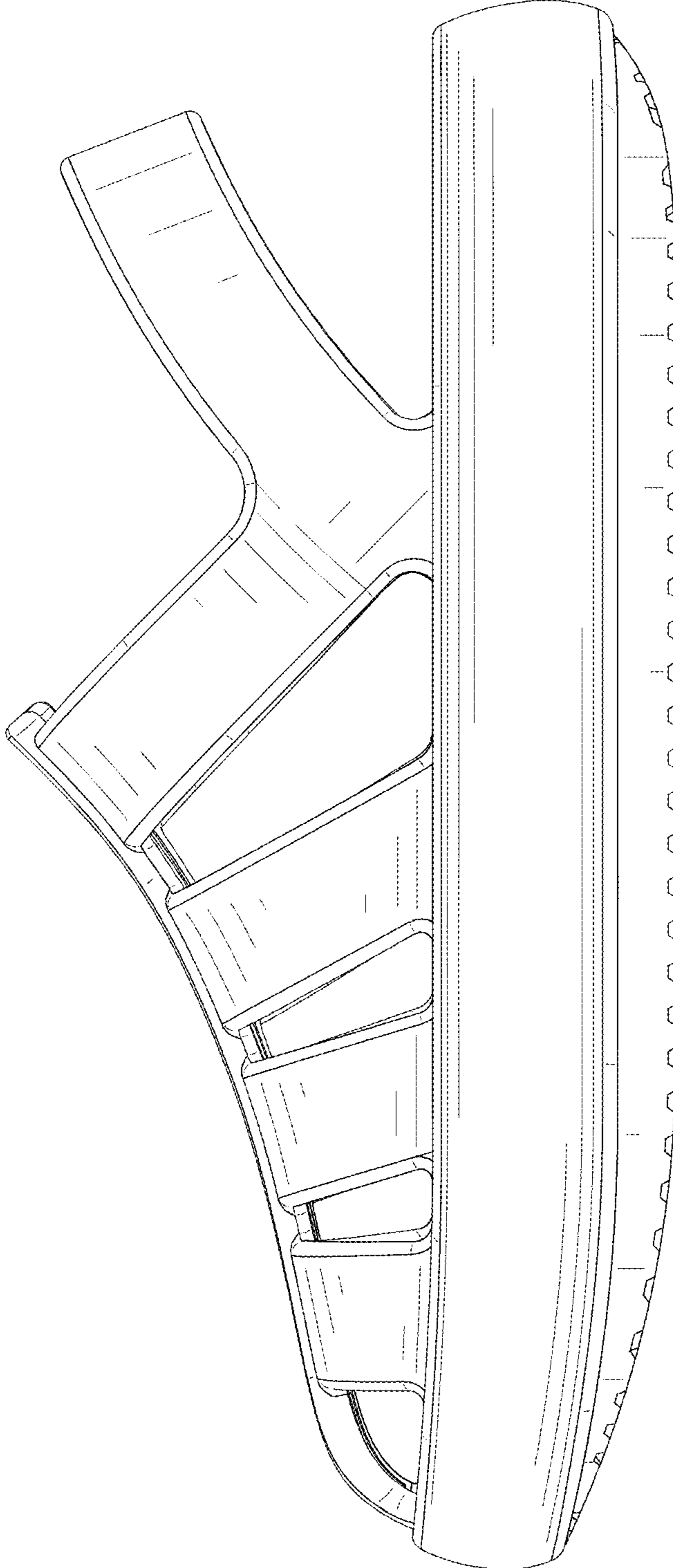


FIG. 6



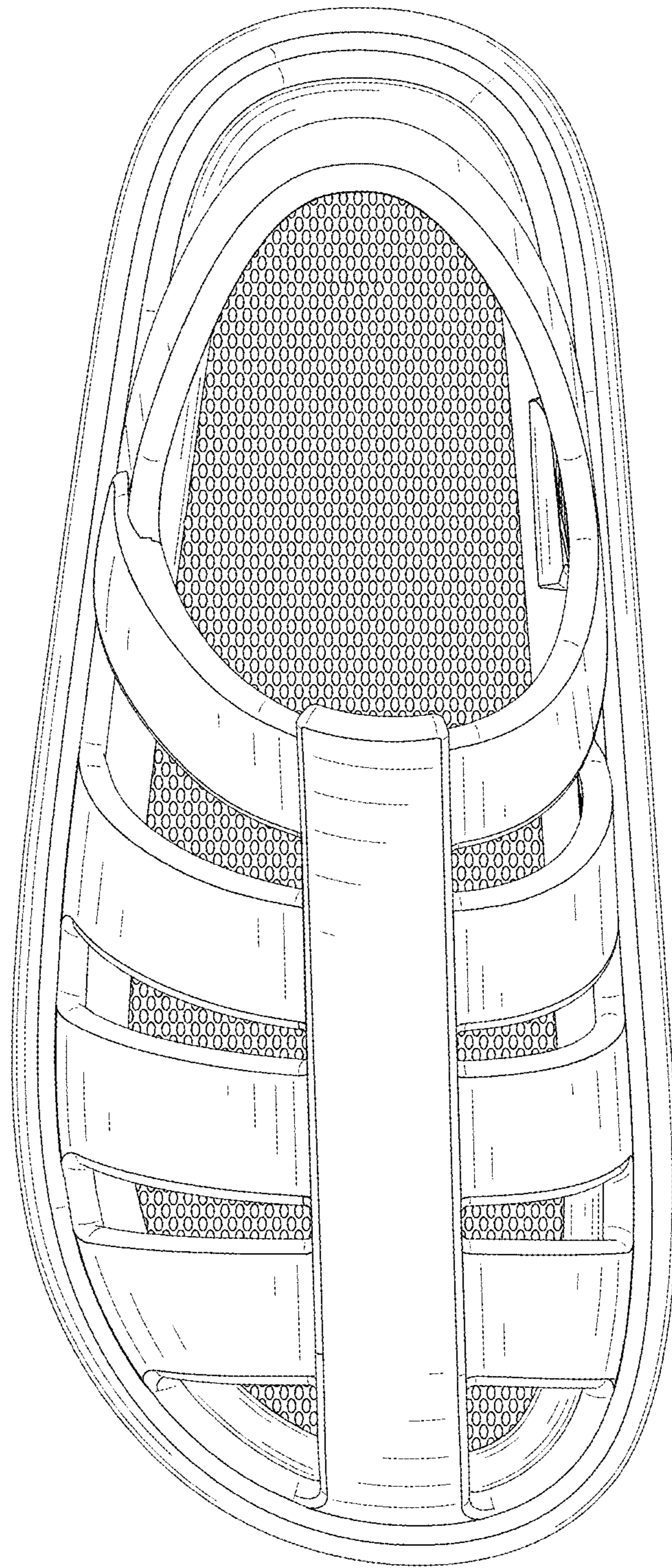


FIG. 7

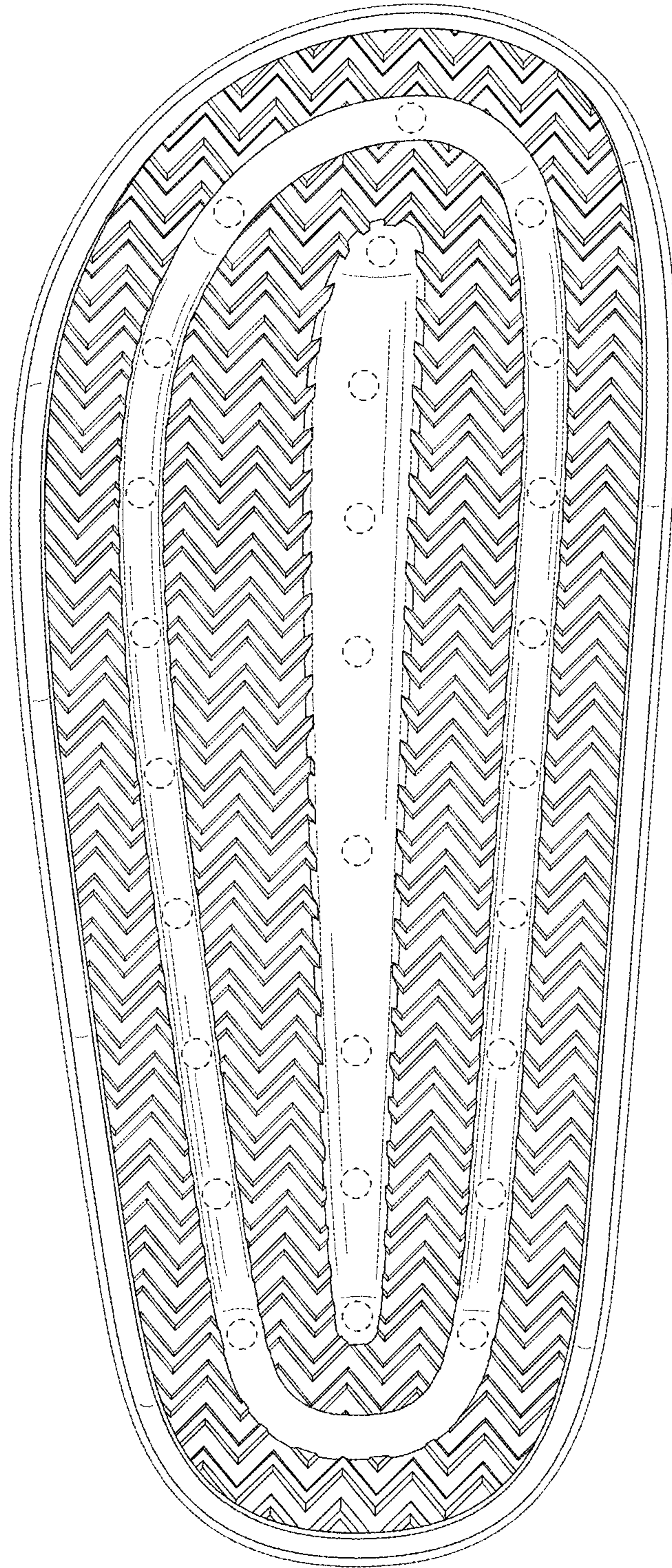


FIG. 8

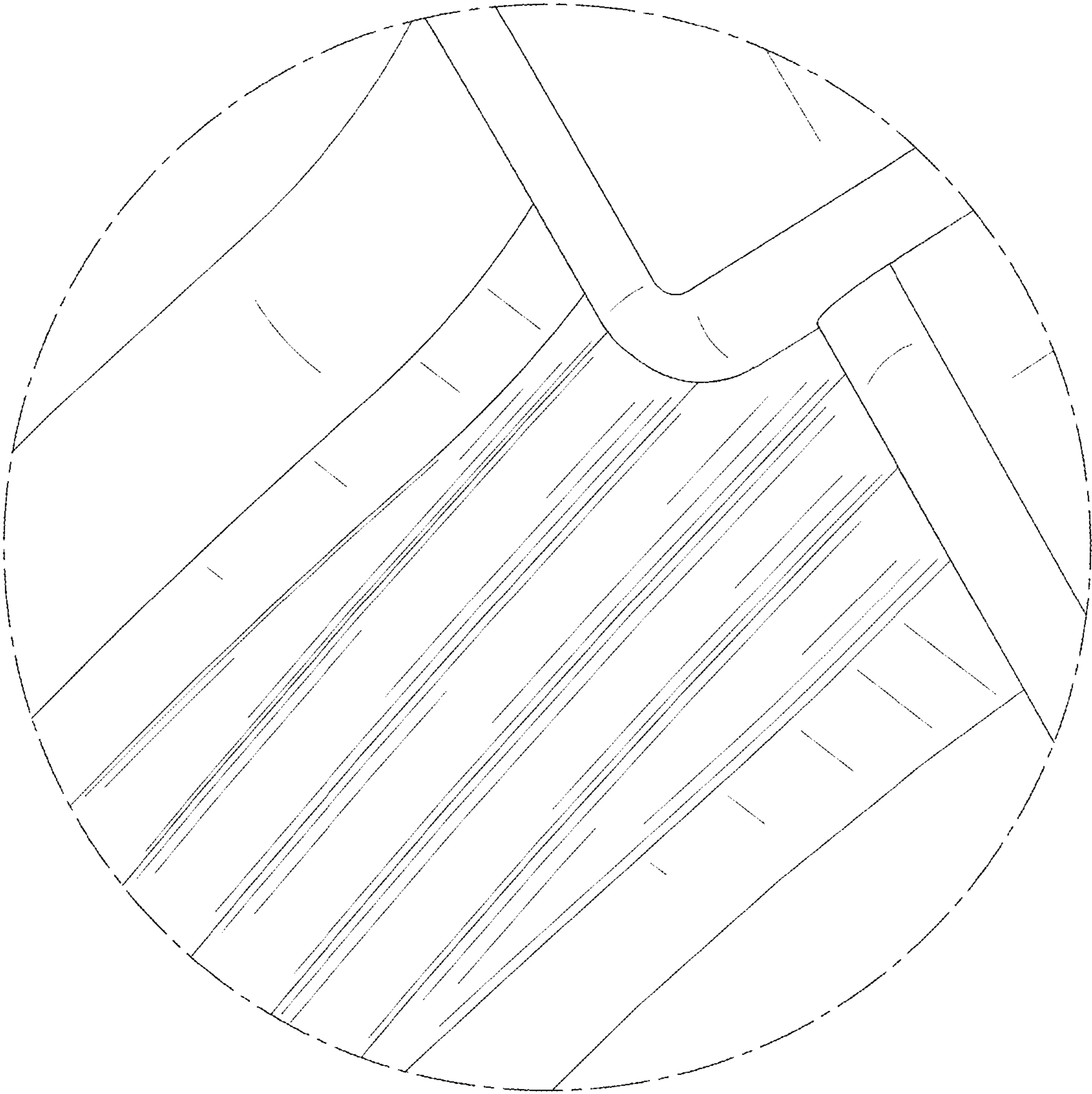


FIG. 9

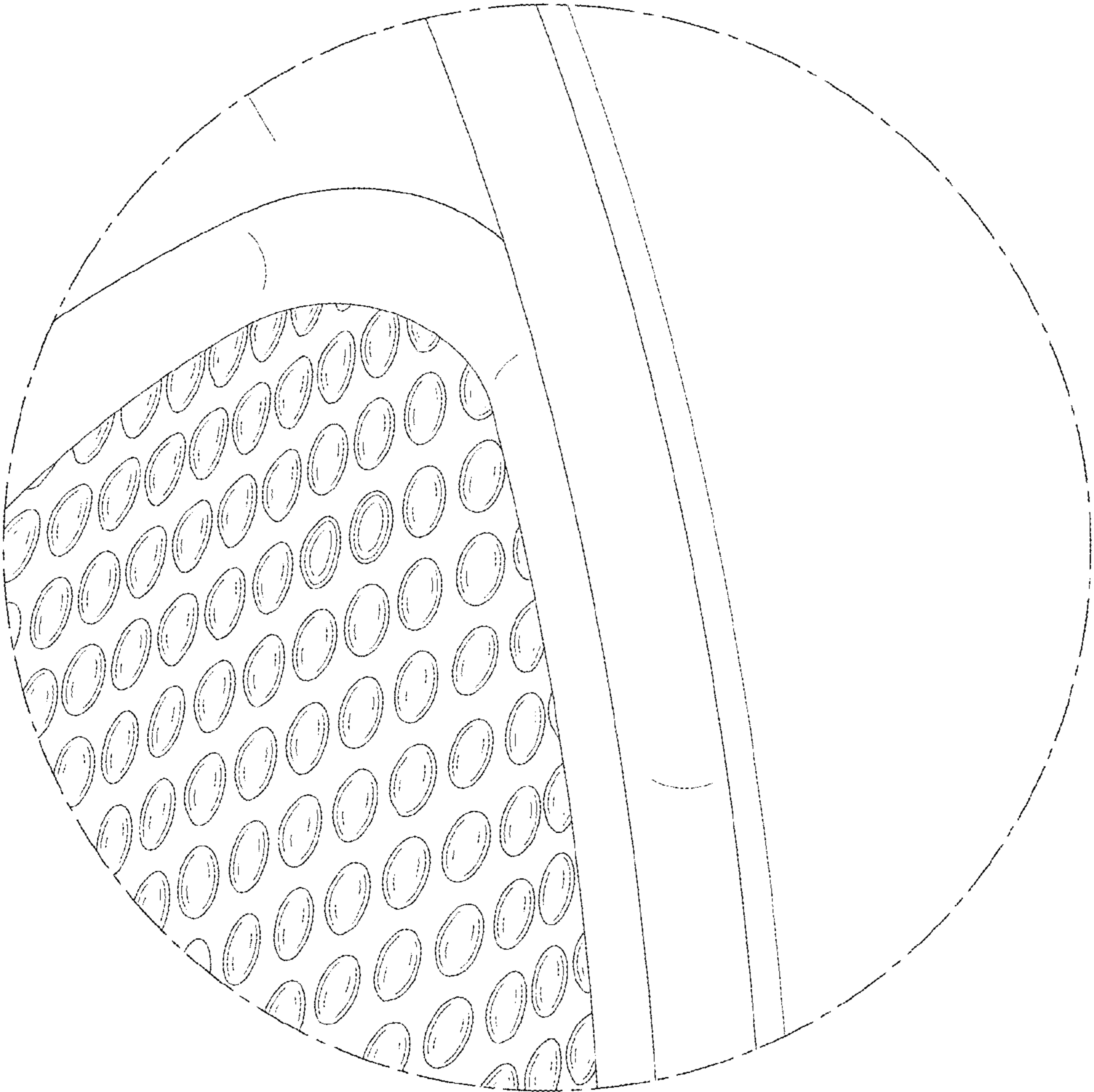


FIG. 10

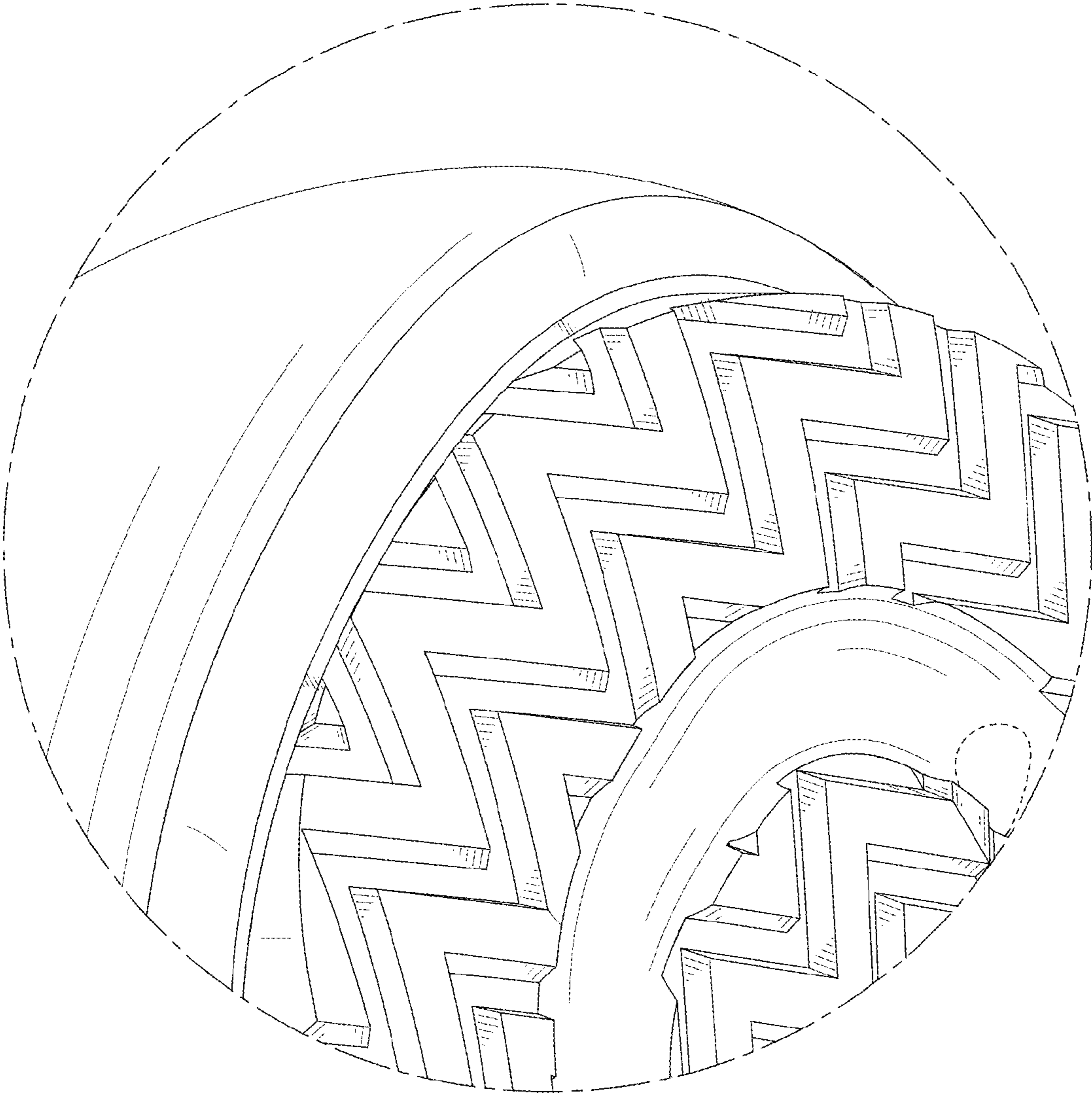


FIG. 11