



US00D982280S

(12) **United States Design Patent** (10) **Patent No.:** **US D982,280 S**
Wu (45) **Date of Patent:** **** Apr. 4, 2023**

(54) **HOODIE**
(71) Applicant: **YongQuan Wu**, Hangzhou (CN)
(72) Inventor: **YongQuan Wu**, Hangzhou (CN)
(**) Term: **15 Years**
(21) Appl. No.: **29/803,897**
(22) Filed: **Aug. 17, 2021**
(51) **LOC (14) Cl.** **02-02**
(52) **U.S. Cl.**
USPC **D2/728**
(58) **Field of Classification Search**
USPC D2/715, 749-750, 825-826, 828, 831,
D2/839-840, 854, 878
CPC A41D 2200/20; A41D 1/02; A41D 1/04;
A41D 1/082; A41D 3/00; A41D 3/02;
A41D 3/04
See application file for complete search history.

D809,745 S 2/2018 Crowe et al.
D892,436 S * 8/2020 Francis D2/750
D894,537 S 9/2020 Ngan
D895,233 S 9/2020 Foster et al.
D916,436 S * 4/2021 Johansson D2/831
D917,829 S * 5/2021 Guo D2/718
D950,198 S * 5/2022 Guo D2/831
2006/0037124 A1 * 2/2006 Cho A41D 13/1245
2/114
2019/0307179 A1 * 10/2019 Beard A41D 3/00
2022/0235896 A1 * 7/2022 Al-Hashmy F16L 59/029
2022/0239170 A1 * 7/2022 Bradfield H02K 1/20

* cited by examiner

Primary Examiner — Kevin K Rudzinski
Assistant Examiner — J. Thorn, Sr.

(74) *Attorney, Agent, or Firm* — Rumit Ranjit Kanakia

(57) **CLAIM**

The ornamental design for a hoodie, as shown and described.

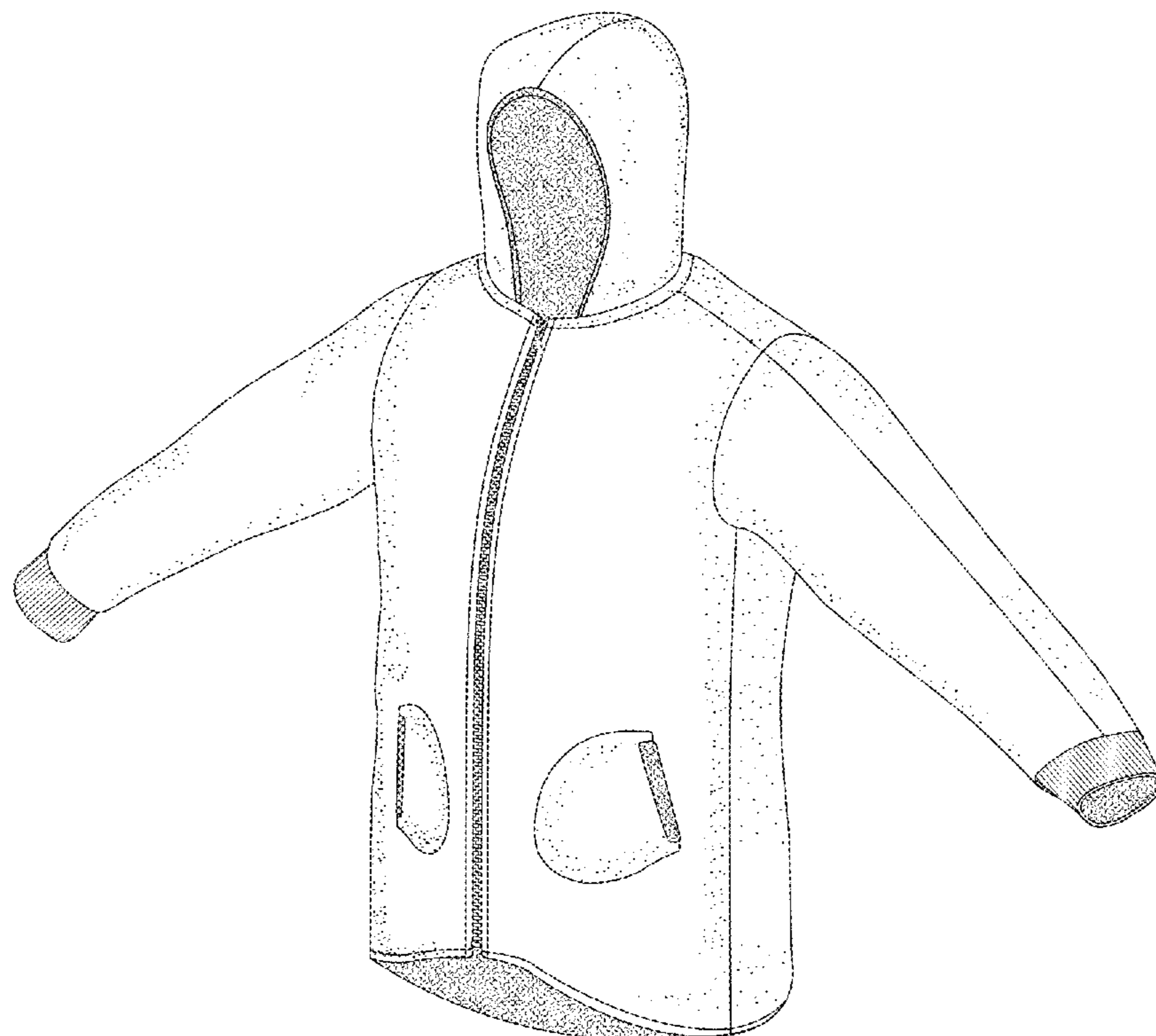
DESCRIPTION

FIG. 1 is a perspective view of a hoodie showing my new design;
FIG. 2 is a front view thereof;
FIG. 3 is a rear view thereof;
FIG. 4 is a right side view thereof;
FIG. 5 is a left side view thereof;
FIG. 6 is a top view thereof; and,
FIG. 7 is a bottom view thereof.
The broken lines shown in the drawings depict portions of the hoodie that form no part of the claimed design.

1 Claim, 5 Drawing Sheets

(56) **References Cited**
U.S. PATENT DOCUMENTS

D395,154 S * 6/1998 Dipietro D2/849
6,272,684 B1 * 8/2001 Shih A41D 31/102
2/87
D457,711 S * 5/2002 Mahabir D2/839
D560,879 S * 2/2008 Hines D2/840
D563,628 S * 3/2008 Corbin D2/831
D671,714 S * 12/2012 McCarroll D2/831
D719,722 S 12/2014 Bublak
D728,900 S 5/2015 White
D736,496 S 8/2015 Gonzalez



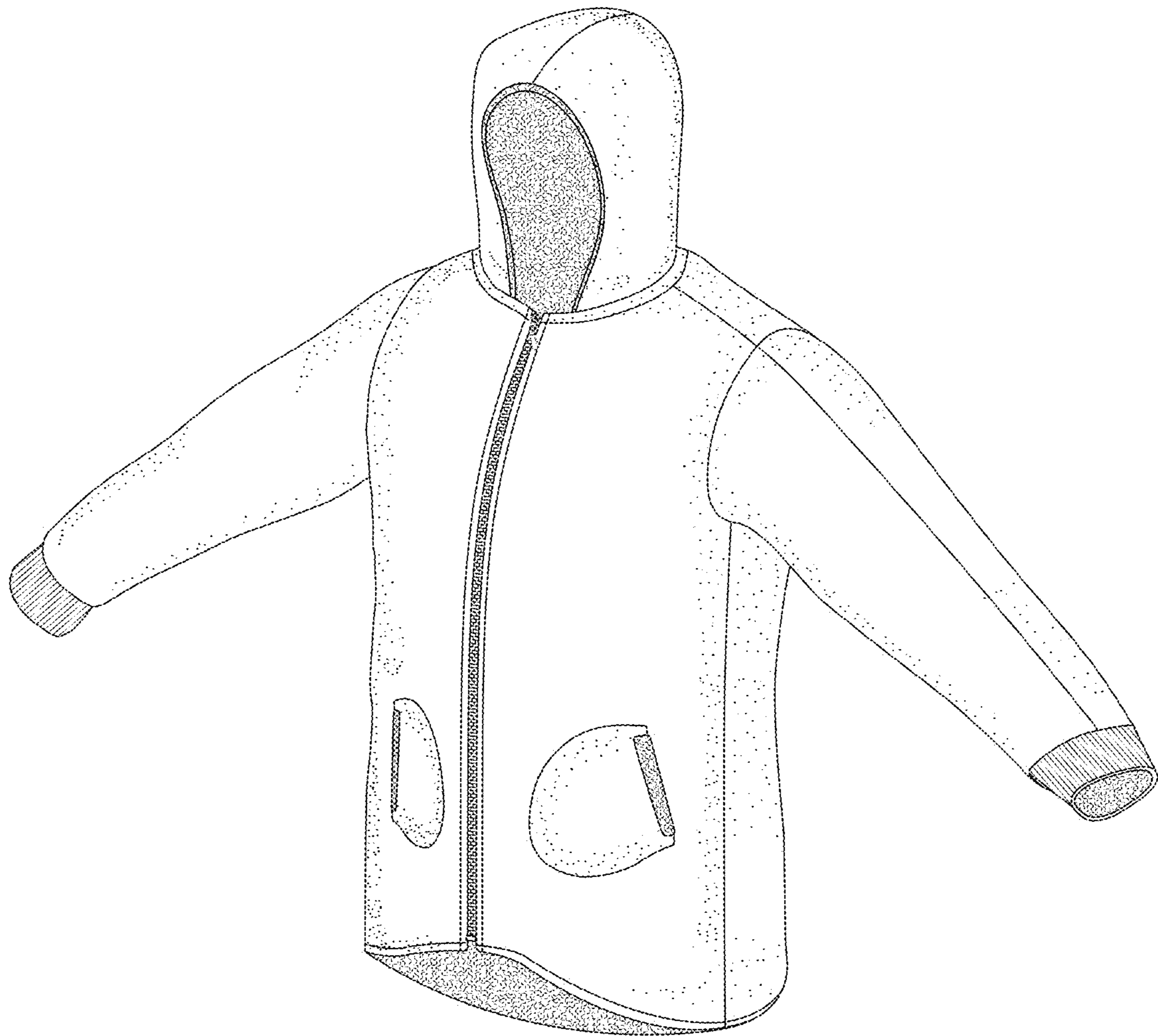


FIG. 1

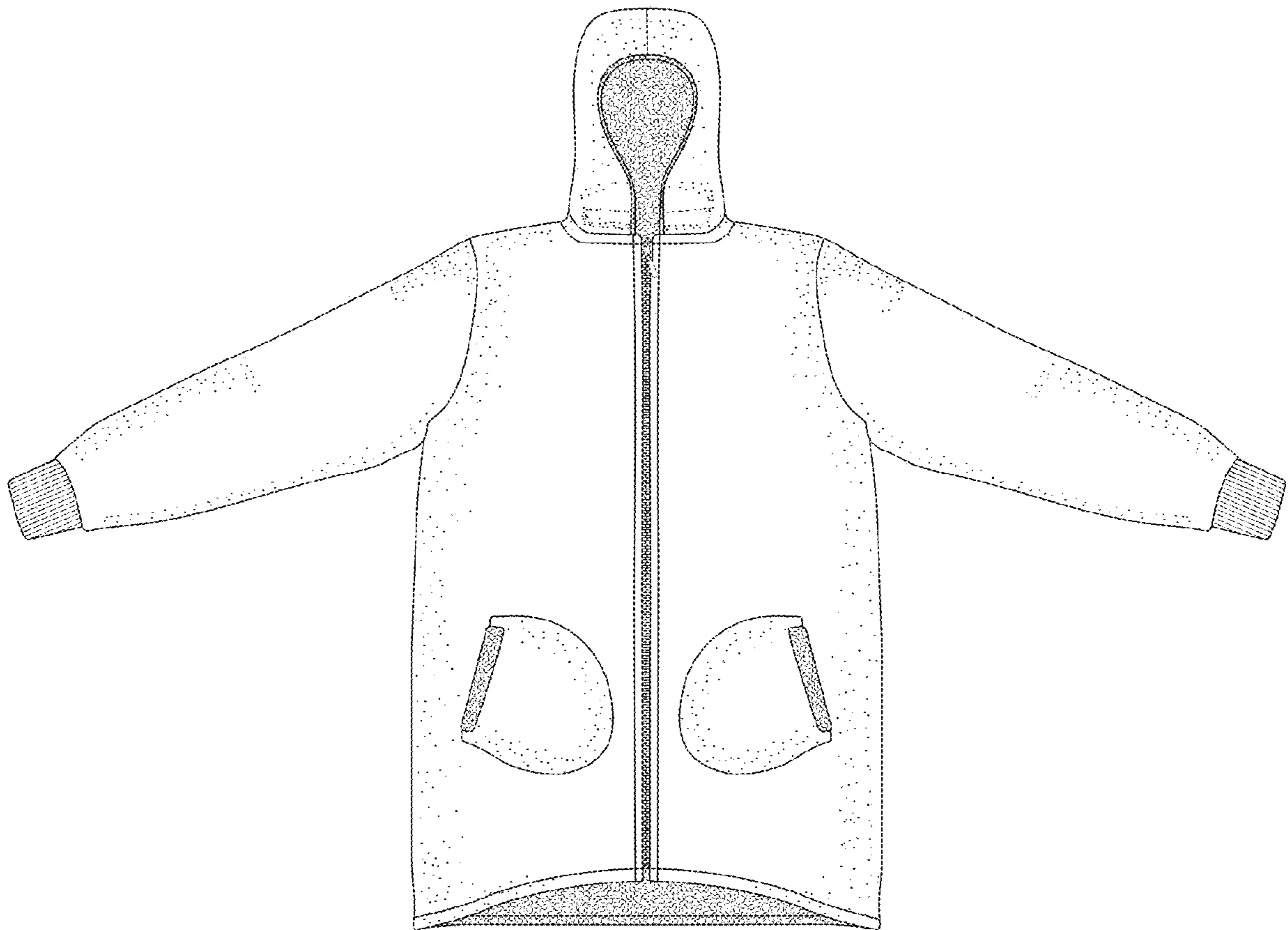


FIG. 2

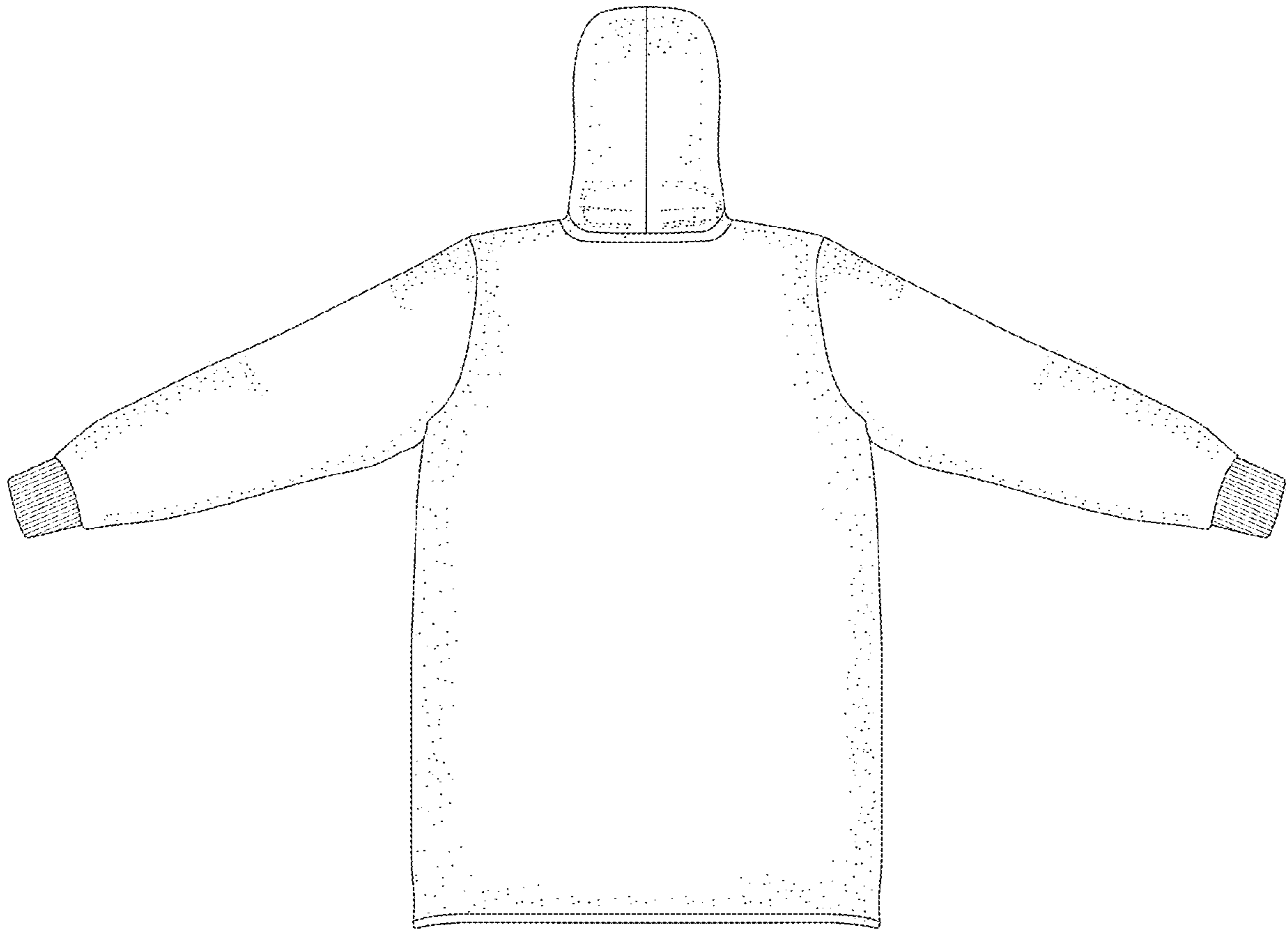


FIG. 3

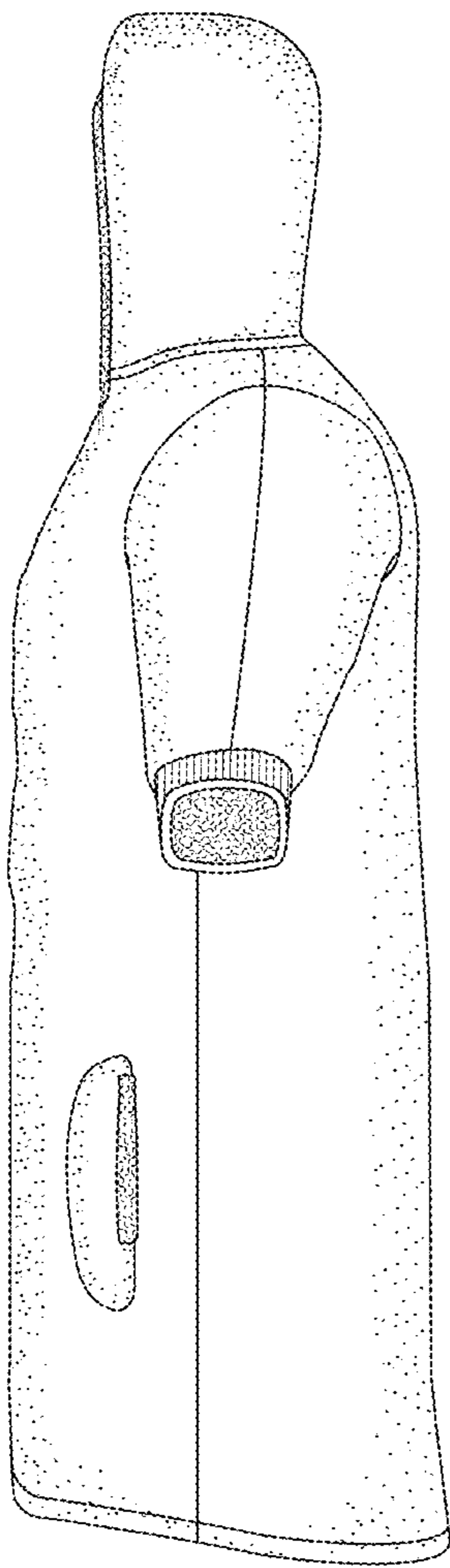


FIG. 4

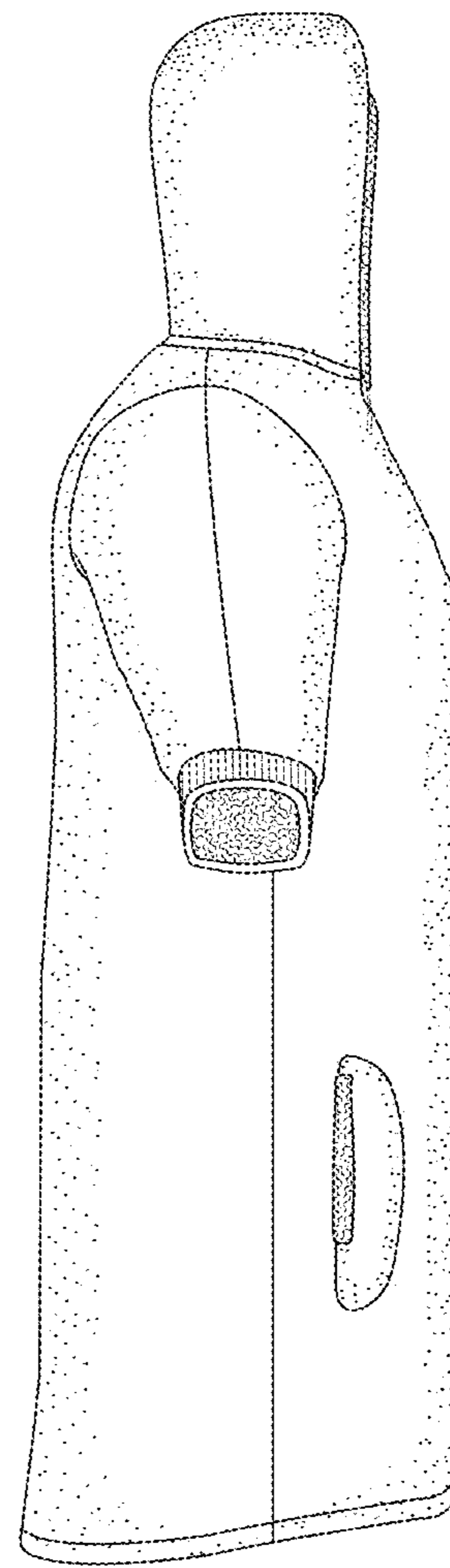


FIG. 5

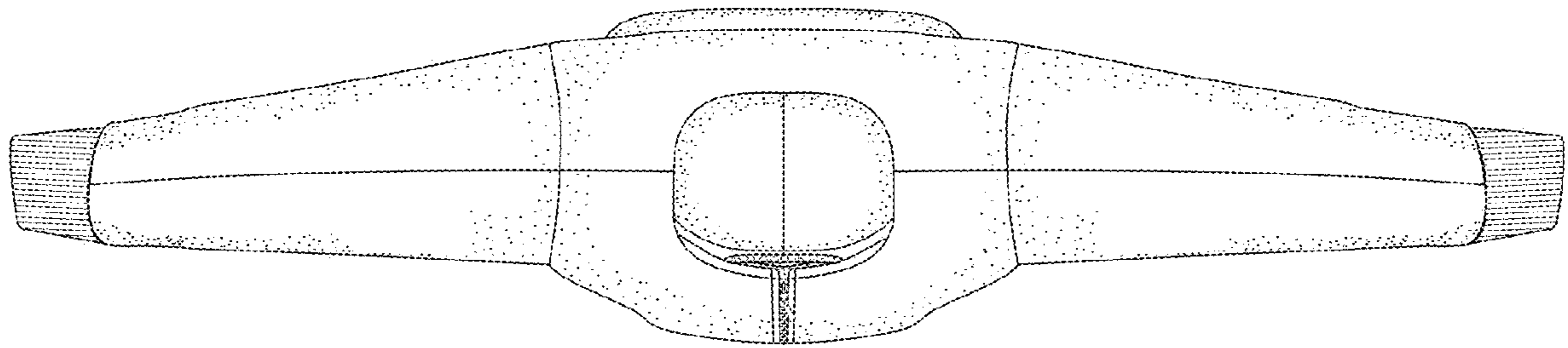


FIG. 6

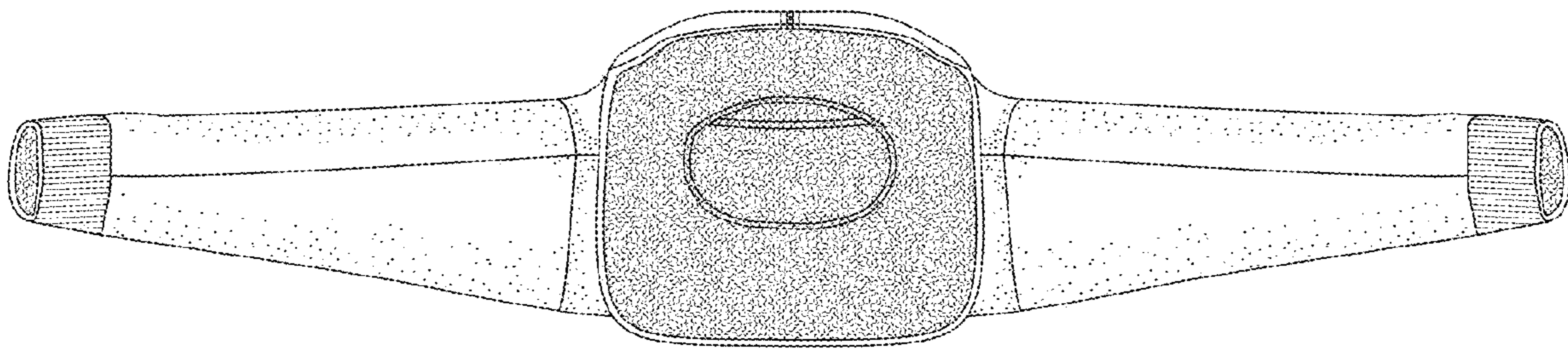


FIG. 7