



US00D982276S

(12) **United States Design Patent**
Bonaretti

(10) **Patent No.:** **US D982,276 S**
(45) **Date of Patent:** **** Mar. 28, 2023**

- (54) **TELESCOPIC LIFTER**
- (71) Applicant: **MANITOU ITALIA S.R.L.**,
Castelfranco Emilia (IT)
- (72) Inventor: **Simone Bonaretti**, Scandiano (IT)
- (73) Assignee: **MANITOU ITALIA S.R.L.**,
Castelfranco Emilia (IT)
- (**) Term: **15 Years**
- (21) Appl. No.: **29/809,935**
- (22) Filed: **Sep. 30, 2021**
- (30) **Foreign Application Priority Data**
Apr. 2, 2021 (EM) 008485882
- (51) **LOC (14) Cl.** **12-05**
- (52) **U.S. Cl.**
USPC **D34/34; D15/23**
- (58) **Field of Classification Search**
USPC D34/34, 35, 28, 33, 37; D15/28, 22-26;
296/190, 202; 37/341, 442; 414/529,
414/572, 718, 785, 607
CPC B66F 9/0655; B66F 9/20; B66F 17/00;
B66C 23/703
See application file for complete search history.

D460,085 S *	7/2002	Crookes	D15/25
D461,831 S *	8/2002	Laberheim	D15/25
D480,529 S *	10/2003	Pini	D34/34
D516,586 S *	3/2006	Tsuji	D15/10
D641,028 S *	7/2011	Mack	D15/23
D668,271 S *	10/2012	Hutchinson	D34/37
8,662,815 B2	3/2014	Magni		
D758,039 S *	5/2016	Nessler	D34/34
9,394,667 B2	7/2016	Iotti		
9,617,132 B2	4/2017	Iotti		
9,840,403 B2	12/2017	Iotti		
10,017,363 B2	7/2018	Iotti		
10,035,462 B2	7/2018	Iotti		
10,035,689 B2	7/2018	Iotti		
D844,278 S	3/2019	Iotti		
10,479,261 B2	11/2019	Iotti		
10,538,205 B2	1/2020	Iotti		
10,697,737 B2	6/2020	Iotti		
10,752,479 B2	8/2020	Iotti		
D903,223 S *	11/2020	Watson	D34/37
10,843,909 B2	11/2020	Iotti		
10,865,765 B2	12/2020	Iotti		
2016/0102484 A1	4/2016	Iotti		

(Continued)

Primary Examiner — Mark A Goodwin
(74) *Attorney, Agent, or Firm* — Pearne & Gordon LLP;
J. Gregory Chrisman

(57) **CLAIM**

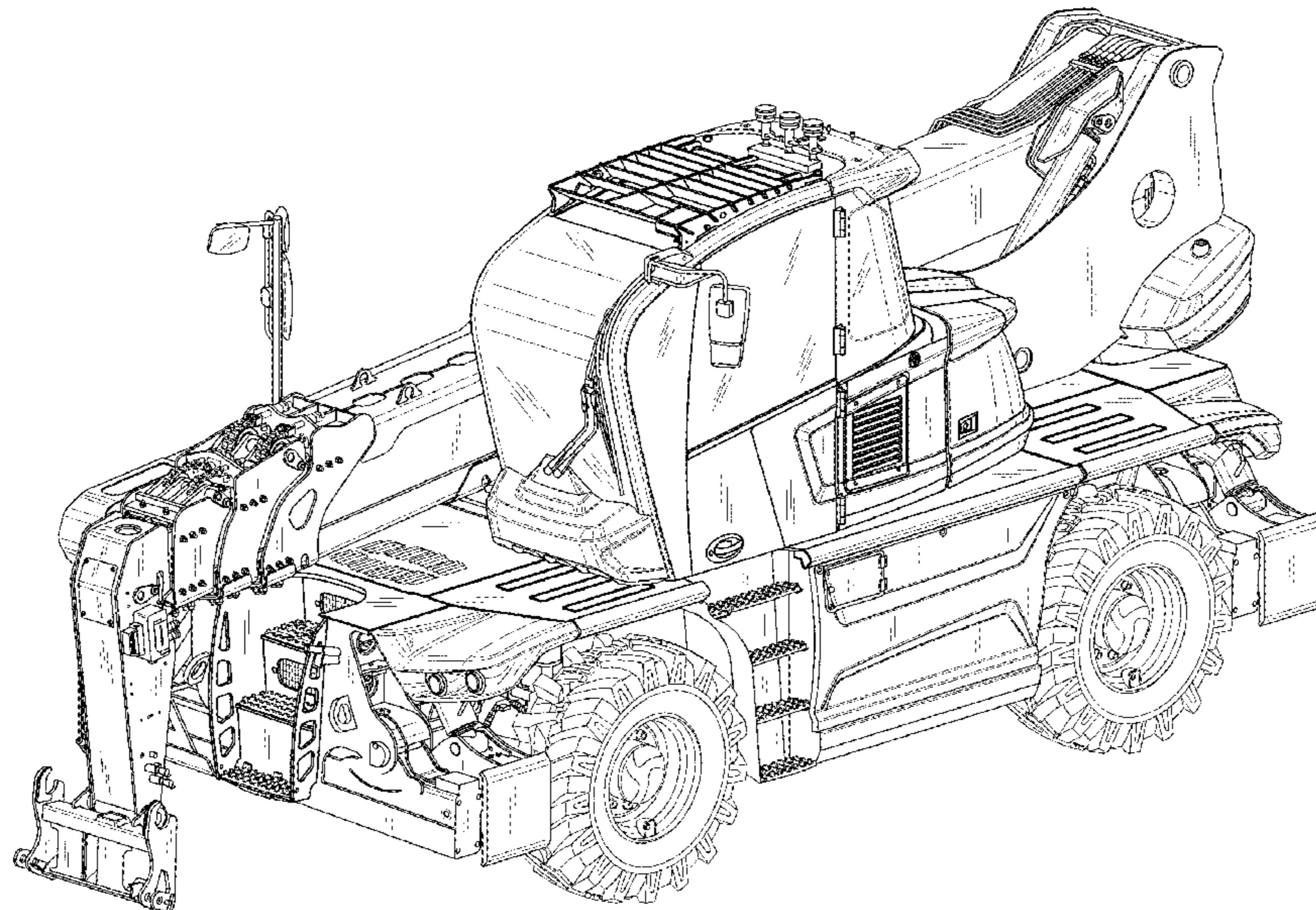
The ornamental design for a telescopic lifter, as shown and described.

DESCRIPTION

FIG. 1 is a front-left side-top perspective view of a telescopic lifter, showing the new design;
FIG. 2 is a back-left side-top perspective view thereof;
FIG. 3 is a front view thereof;
FIG. 4 is a left side view thereof;
FIG. 5 is a right side view thereof;
FIG. 6 is a back view thereof; and,
FIG. 7 is a top view thereof.

1 Claim, 7 Drawing Sheets

- (56) **References Cited**
U.S. PATENT DOCUMENTS
3,858,675 A * 1/1975 Geis F16H 61/47
74/478
D316,468 S * 4/1991 Sandrock D34/37
D366,489 S * 1/1996 Brown D15/22
D376,243 S * 12/1996 Magni D34/34
5,836,733 A * 11/1998 Moses B66F 9/0655
414/718
D438,359 S * 2/2001 Braud D34/34



(56)

References Cited

U.S. PATENT DOCUMENTS

2018/0364012	A1	12/2018	Iotti
2019/0300346	A1	10/2019	Iotti
2019/0300349	A1	10/2019	Iotti
2020/0031643	A1	1/2020	Iotti
2020/0180916	A1	6/2020	Iotti
2020/0277172	A1	9/2020	Iotti

* cited by examiner

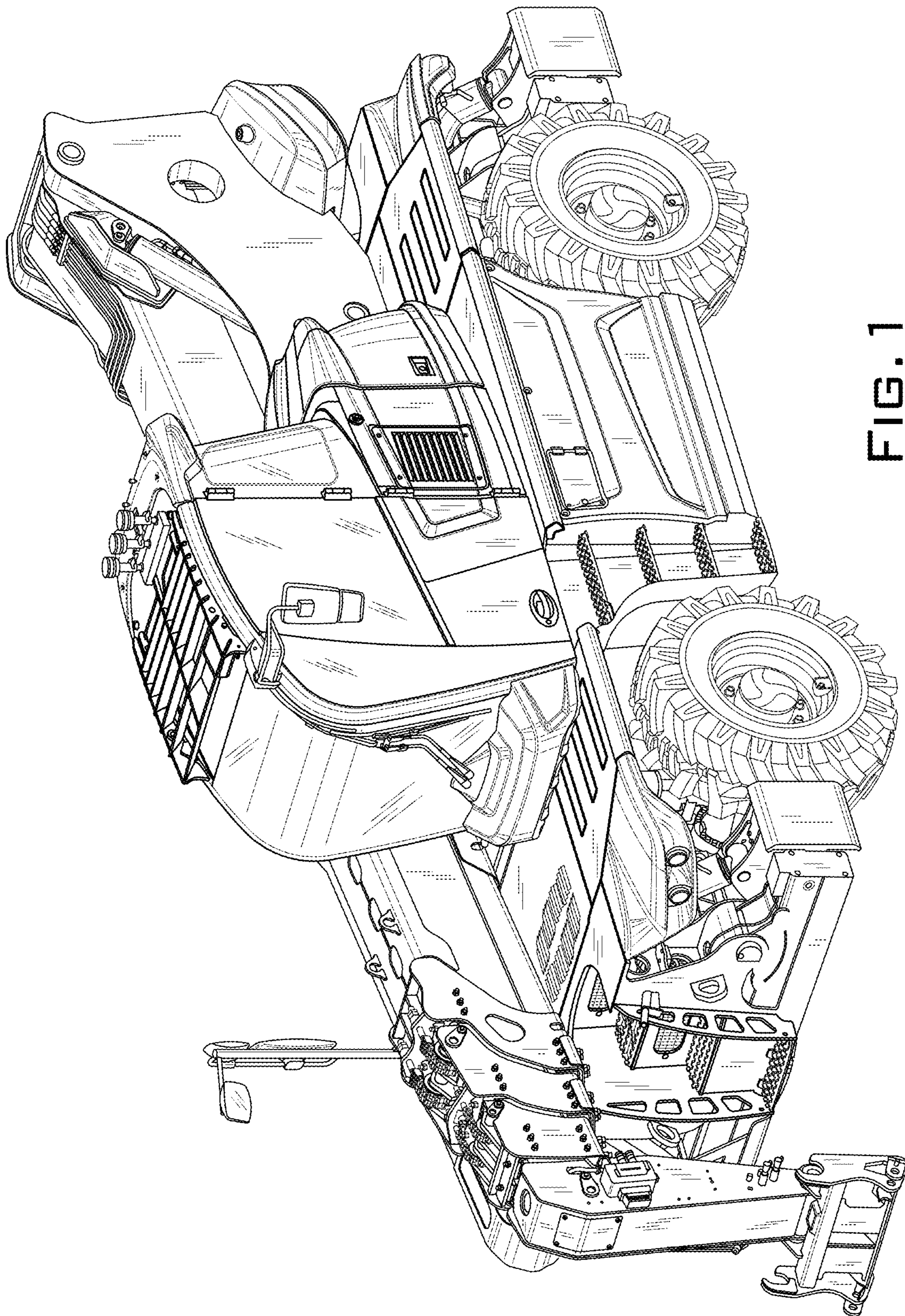


FIG. 1

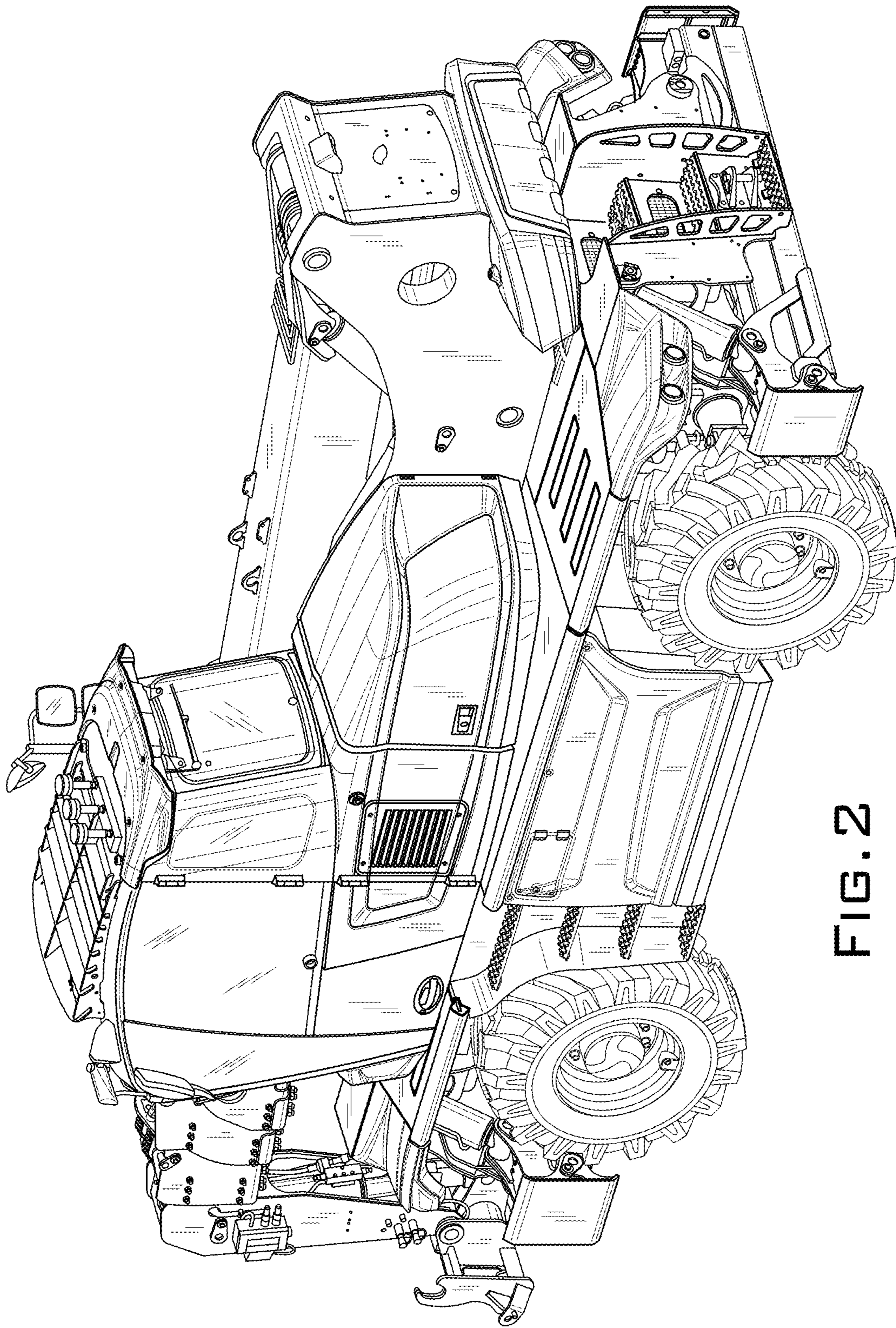


FIG. 2

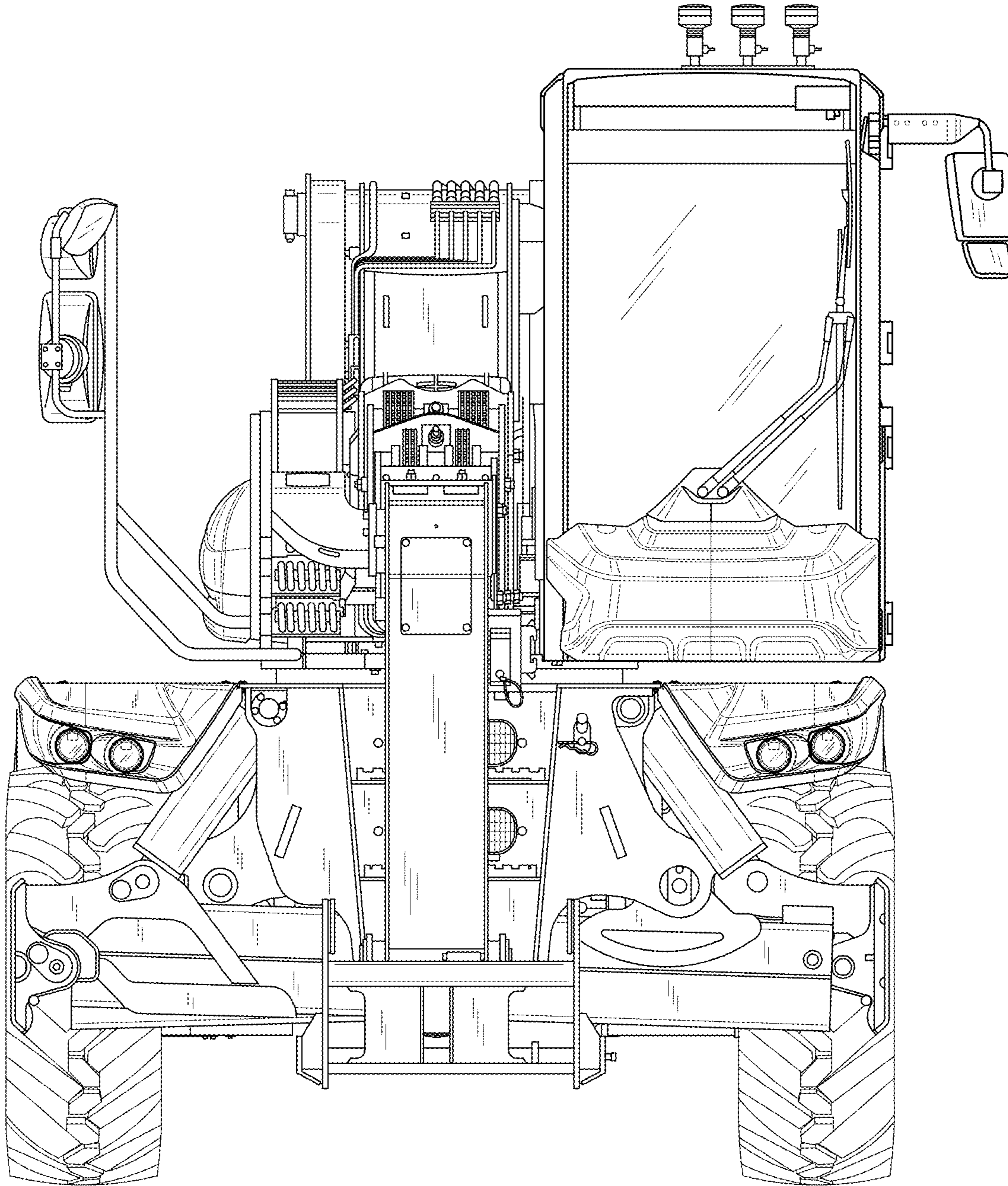


FIG. 3

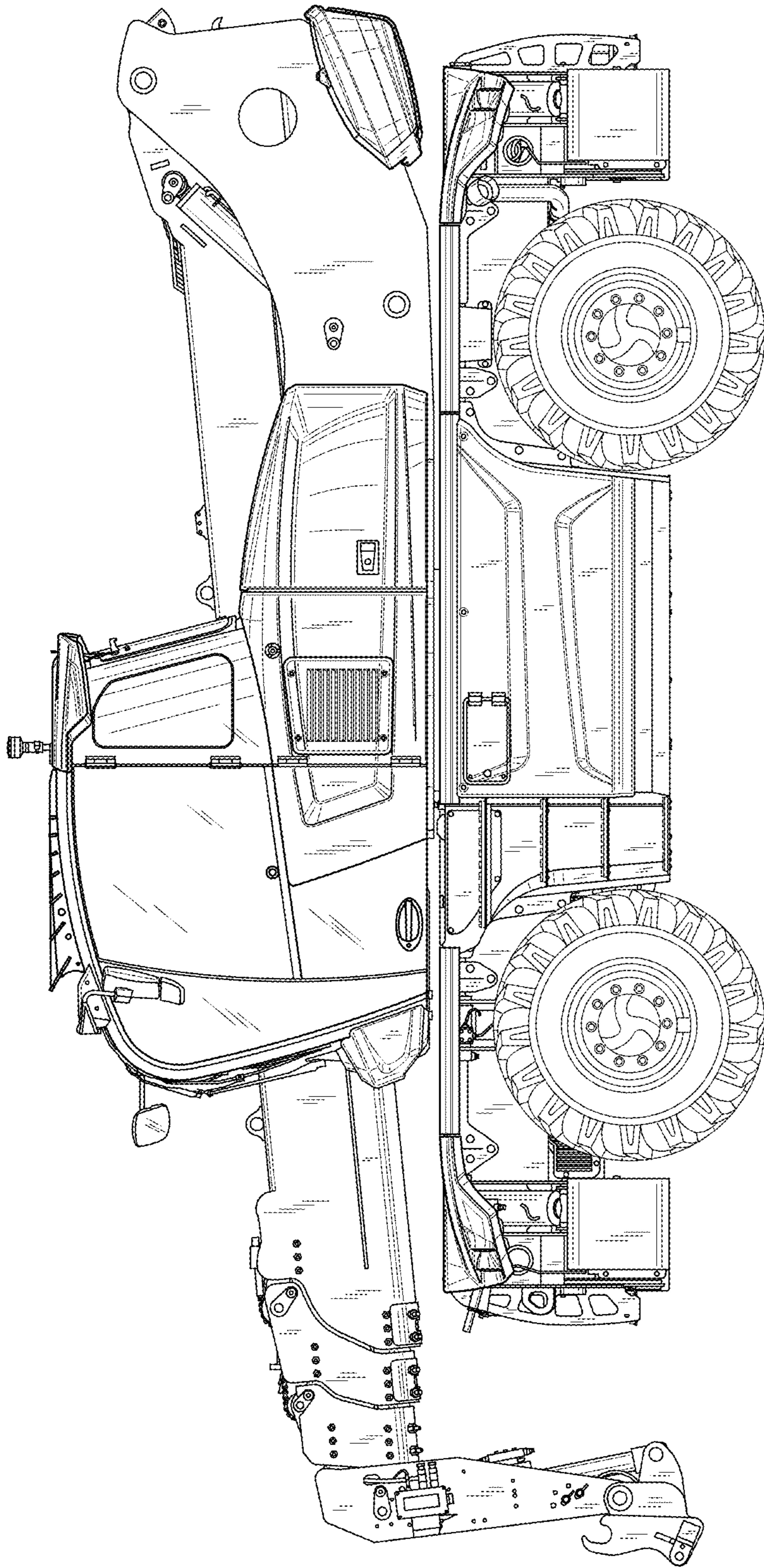


FIG. 4

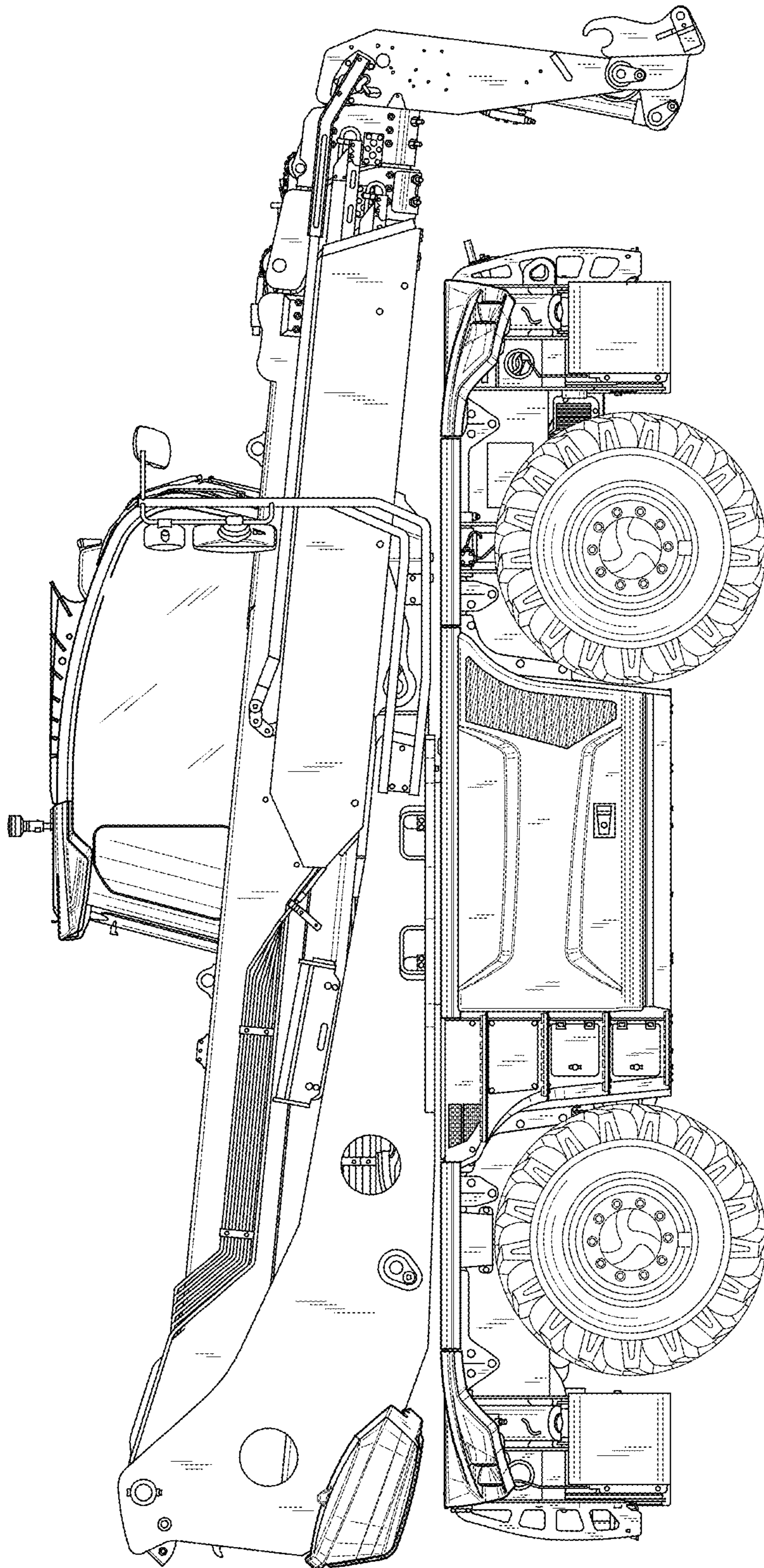


FIG. 5

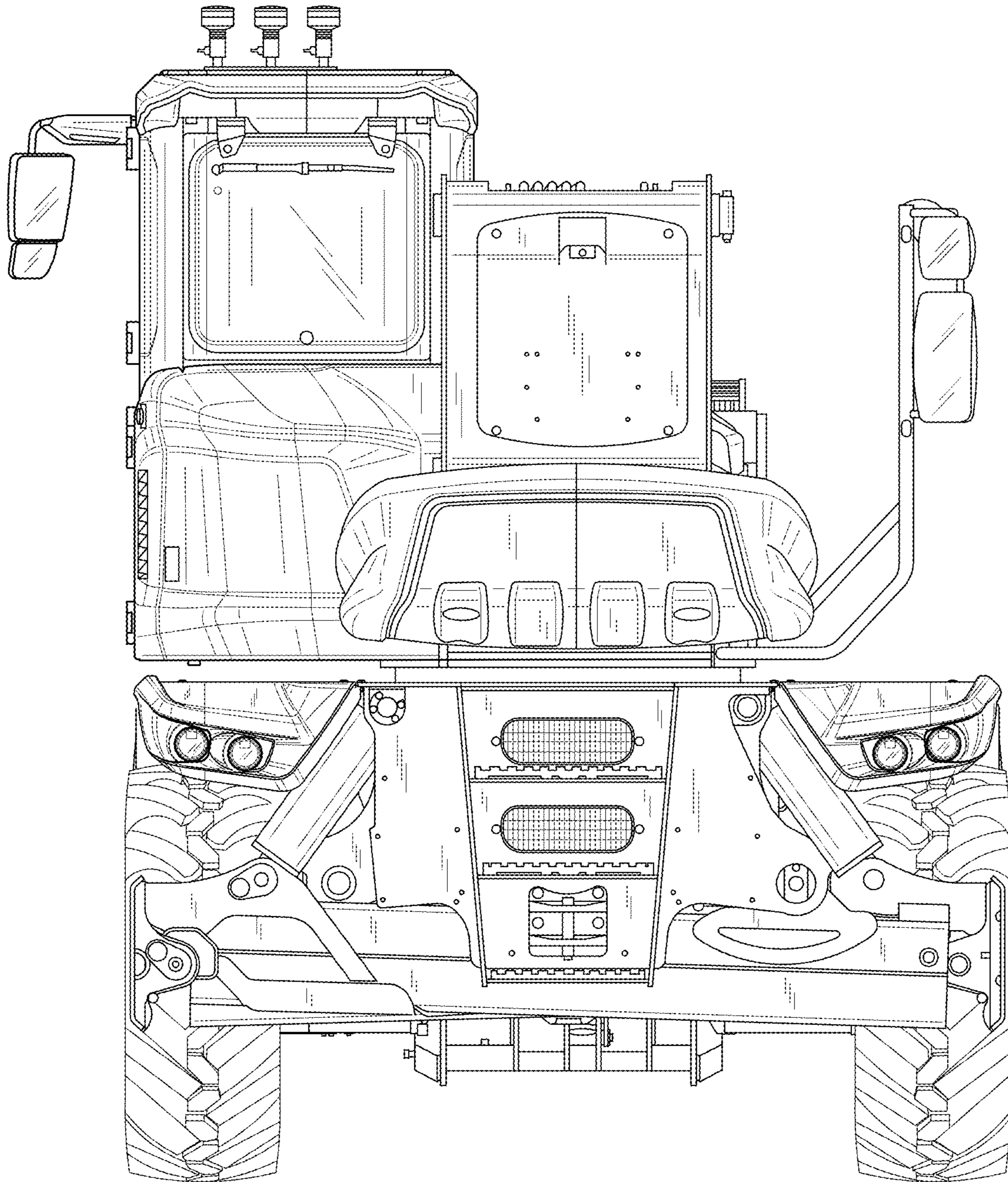


FIG. 6

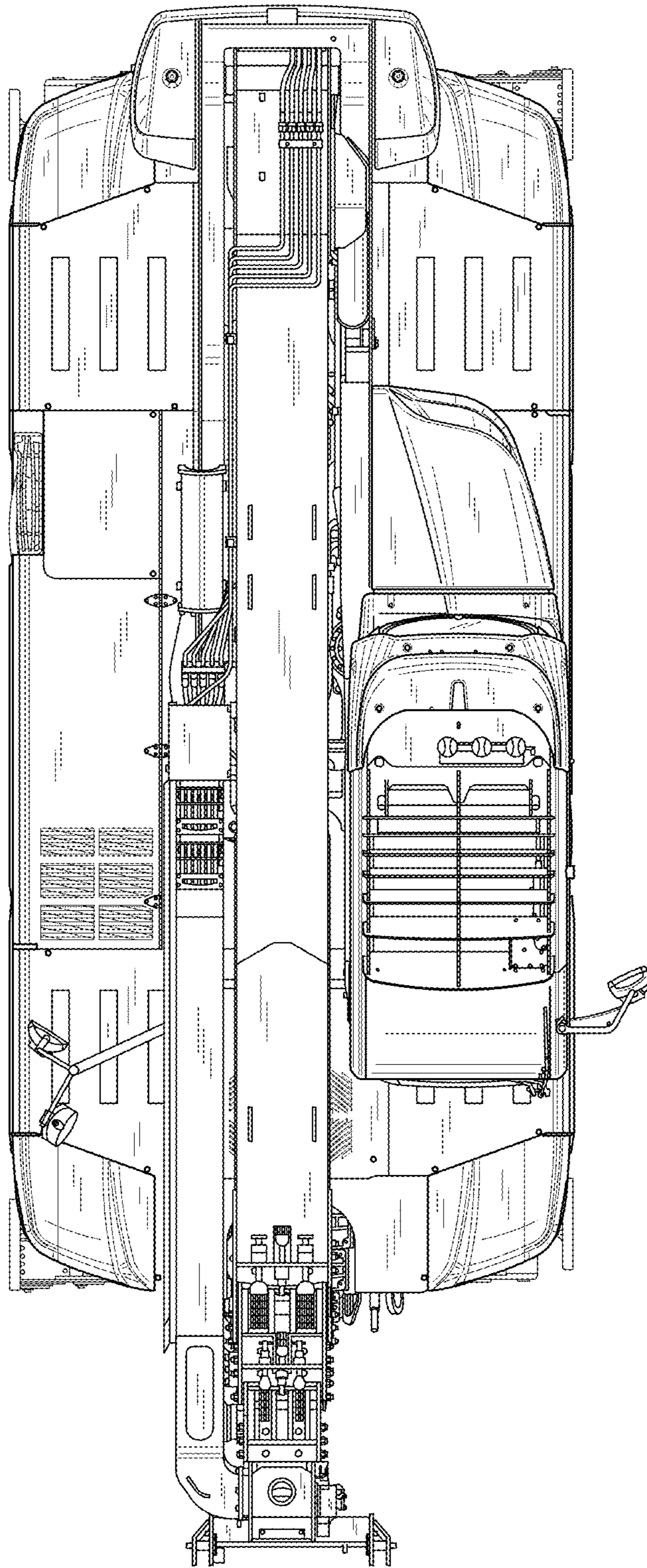


FIG. 7