



US00D982275S

(12) **United States Design Patent** (10) **Patent No.:** **US D982,275 S**
Nelson (45) **Date of Patent:** **** Mar. 28, 2023**

(54) **FOLD AND STACK CART**
(71) Applicant: **Brett Nelson**, Riverside, CA (US)
(72) Inventor: **Brett Nelson**, Riverside, CA (US)
(73) Assignee: **The Peggs Company Inc.**, Mira Loma, CA (US)
(**) Term: **15 Years**
(21) Appl. No.: **29/796,305**
(22) Filed: **Jun. 23, 2021**
(51) **LOC (14) Cl.** **12-02**
(52) **U.S. Cl.**
USPC **D34/21**
(58) **Field of Classification Search**
USPC D34/12, 14, 17, 18, 19, 20, 21, 22, 23, D34/24, 25, 26, 27
CPC B62B 3/02; B62B 3/006; B62B 3/002; B62B 3/00; B62B 1/12; B62B 1/20; B62B 2205/20; B62B 2205/02
See application file for complete search history.

(56) **References Cited**
U.S. PATENT DOCUMENTS
1,304,847 A 5/1919 Blais et al.
1,408,604 A 3/1922 Kawa
2,212,053 A 8/1940 Smith
D140,635 S * 3/1945 Bartel 280/79.3
D141,929 S * 7/1945 Evans 312/266

(Continued)
FOREIGN PATENT DOCUMENTS
CN 304918621 * 11/2018

OTHER PUBLICATIONS
Allen Display Cart, announced 2022 [online], [site visited Sep. 30, 2022]. Avail from int, URL: <https://www.allendisplay.com/Two-Shelf-Collapsible-Wire-Utility-Cart> (Year: 2022).*

(Continued)

Primary Examiner — Cynthia Ramirez
Assistant Examiner — Tamara L Hahn
(74) *Attorney, Agent, or Firm* — Kirk A. Buhler; Buhler & Associates Patenting

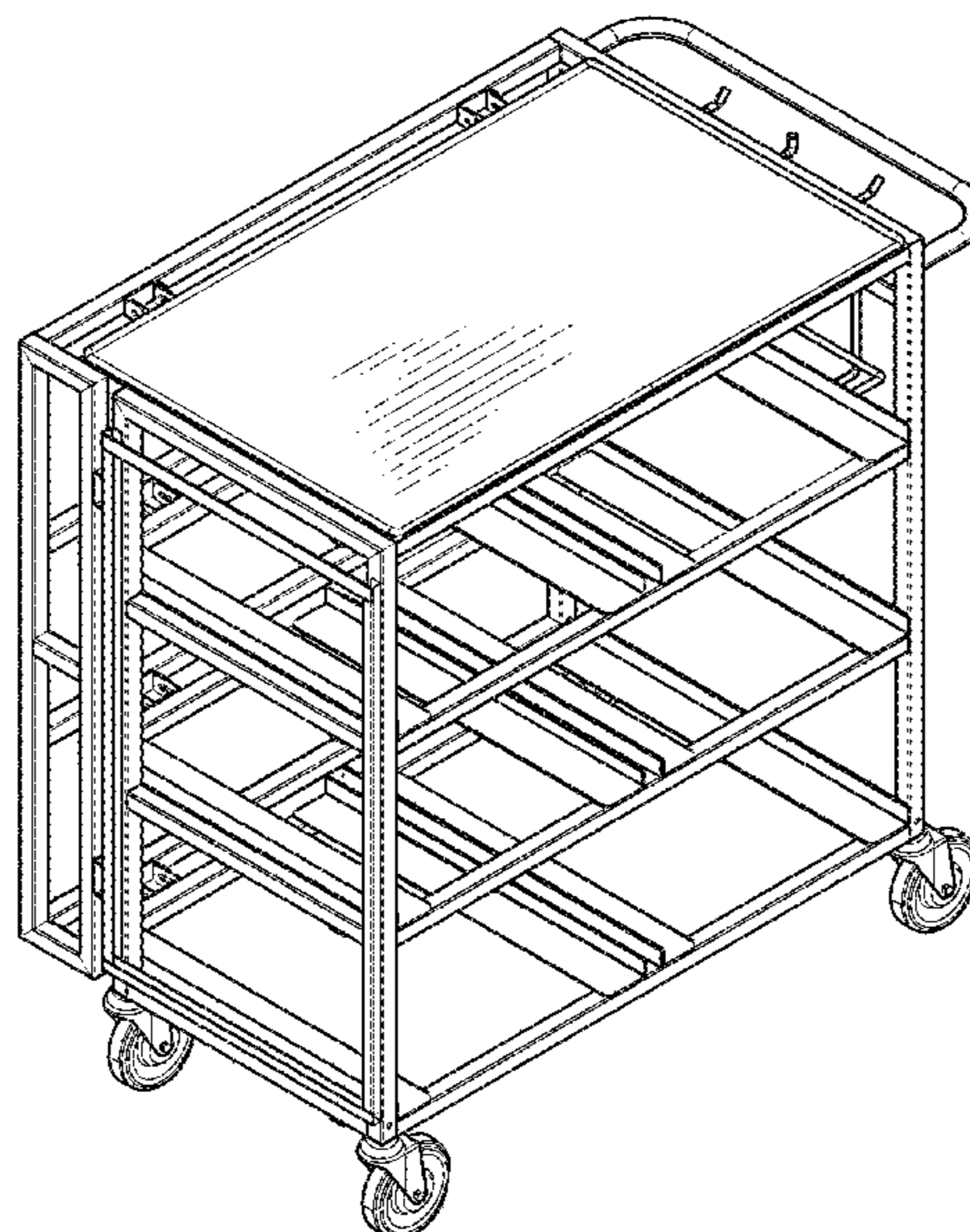
(57) **CLAIM**

The ornamental design for a fold and stack cart, as shown and described.

DESCRIPTION

FIG. 1 is a top perspective view of a fold and stack cart, showing my new design;
FIG. 2 is a front elevation view thereof;
FIG. 3 is a rear elevation view thereof;
FIG. 4 is a left side elevation view thereof;
FIG. 5 is a right side elevation view thereof;
FIG. 6 is a top plan view thereof;
FIG. 7 is a bottom view thereof;
FIG. 8 is a top perspective view of a fold and stack cart in a folded configuration thereof;
FIG. 9 is a front elevation view in a folded configuration thereof;
FIG. 10 is a rear elevation view in a folded configuration thereof;
FIG. 11 is a left side elevation view in a folded configuration thereof;
FIG. 12 is a right side elevation view in a folded configuration thereof;
FIG. 13 is a top plan view in a folded configuration thereof;
FIG. 14 is a bottom view in a folded configuration thereof; and,
FIG. 15 is a front elevation view in a folded configuration in an environment of use.
The broken lines in FIG. 15 depict environmental subject matter of additional folded carts and form no part of the claimed design.

1 Claim, 11 Drawing Sheets



(56)

References Cited

U.S. PATENT DOCUMENTS

2,590,048 A 3/1952 Sides
 2,886,186 A 5/1959 Hamilton
 2,938,632 A 5/1960 Mondineu
 3,074,734 A 1/1963 Munson et al.
 D241,324 S * 9/1976 Wright D34/21
 4,644,876 A * 2/1987 Thomas F16B 12/50
 108/154
 4,740,010 A 4/1988 Moskovitz
 5,192,092 A 3/1993 DiBenedetto
 D362,528 S * 9/1995 Shannon D34/21
 D370,330 S * 5/1996 Carpenter D34/21
 5,577,622 A 11/1996 Kapteyn
 D410,127 S * 5/1999 Colomban D6/675.3
 D411,903 S * 7/1999 Arvans D34/21
 6,123,207 A 9/2000 Mast
 6,213,483 B1 * 4/2001 Gaffney B62B 3/02
 280/47.35
 6,349,962 B1 2/2002 Johanson

D455,881 S * 4/2002 Arvans D34/12
 6,851,564 B2 2/2005 Ng
 7,168,715 B1 1/2007 Friedman
 D547,525 S * 7/2007 Naruishi D34/38
 D561,972 S * 2/2008 Roever D34/17
 D584,413 S * 1/2009 Lambalot D24/185
 8,256,491 B2 9/2012 Birkkjær
 8,256,630 B2 9/2012 Zhu et al.
 D748,359 S 1/2016 Lustig et al.
 10,479,386 B2 11/2019 Duru
 10,588,404 B2 3/2020 Ng
 D898,319 S 10/2020 Strandmark
 D901,816 S 11/2020 Liu
 10,966,519 B2 4/2021 Ng

OTHER PUBLICATIONS

Touchboards Cart, announced 2019 [online], [site visited Sep. 30, 2022]. Avail from int, URL: <https://www.touchboards.com/luxor-wscc-collapsible-cart/> (Year: 2019).*

* cited by examiner

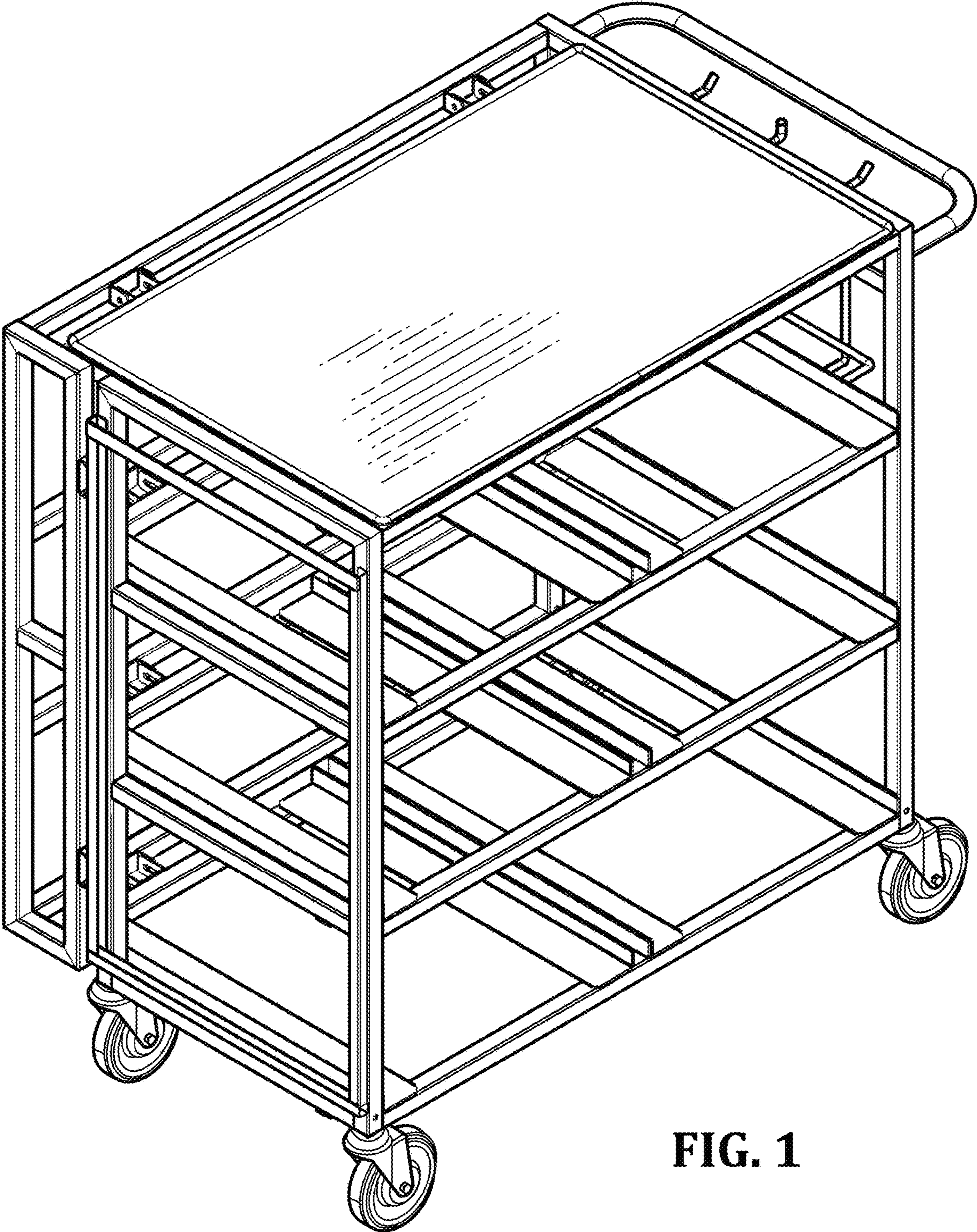


FIG. 1

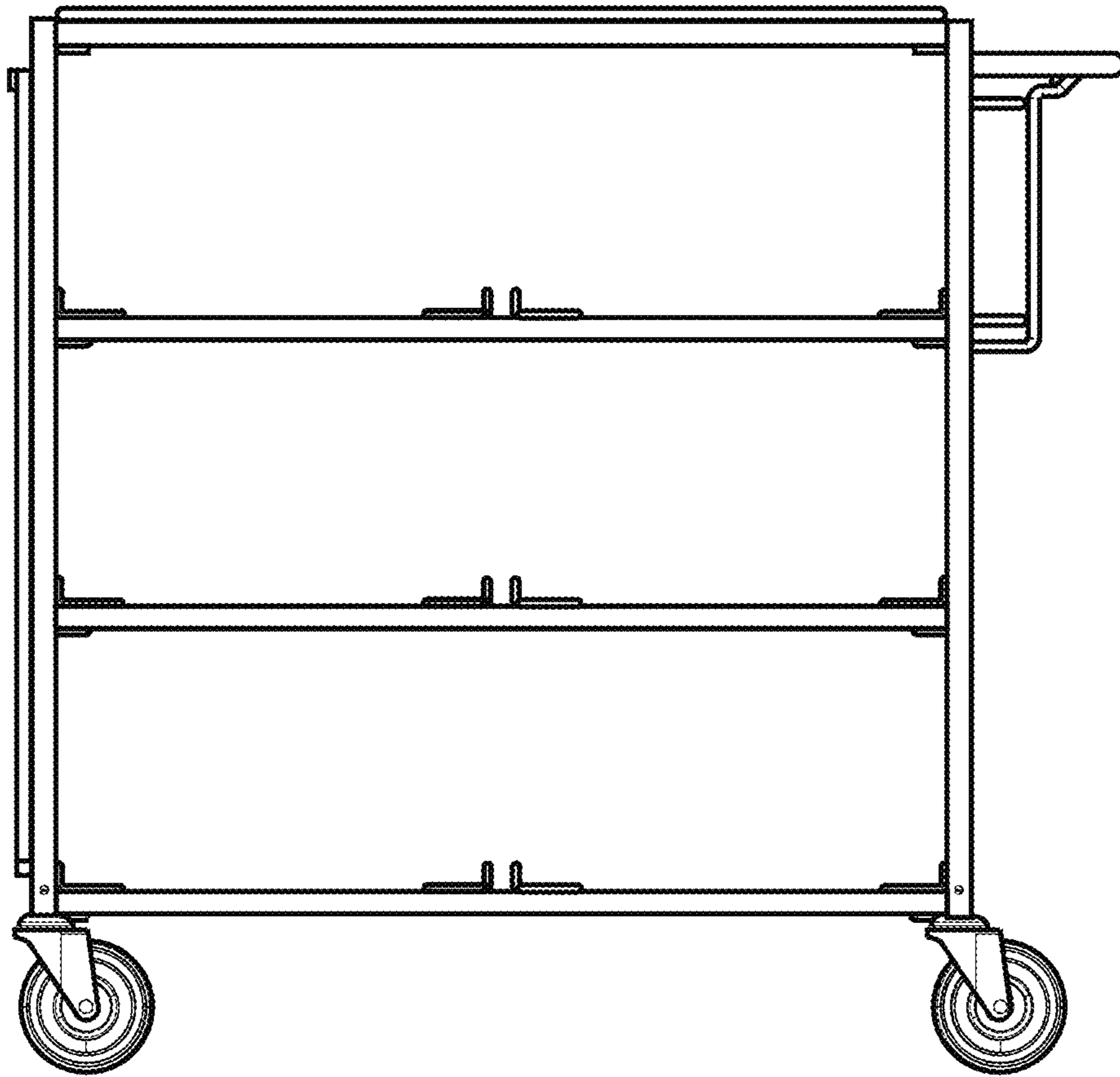


FIG. 2

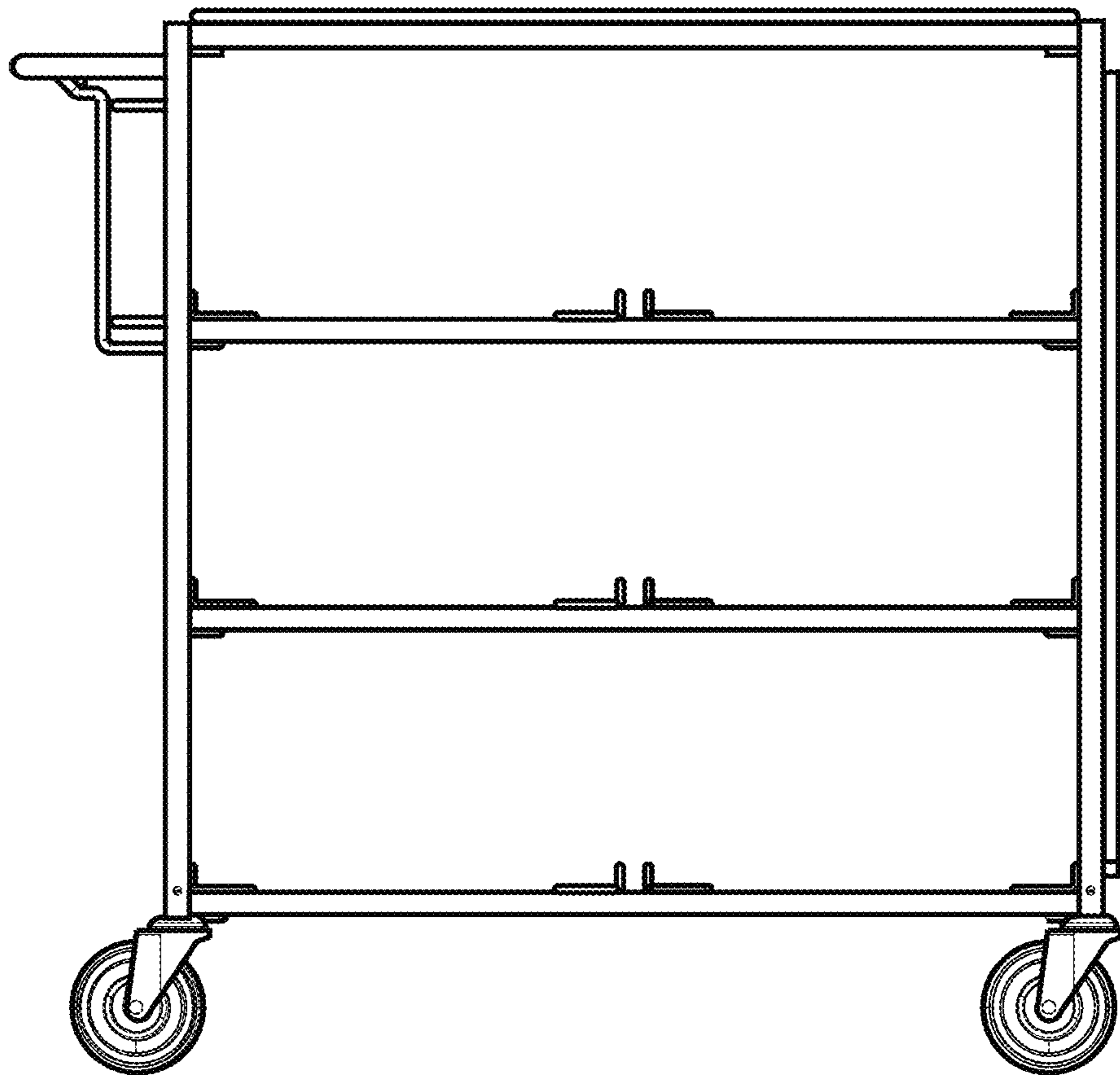


FIG. 3

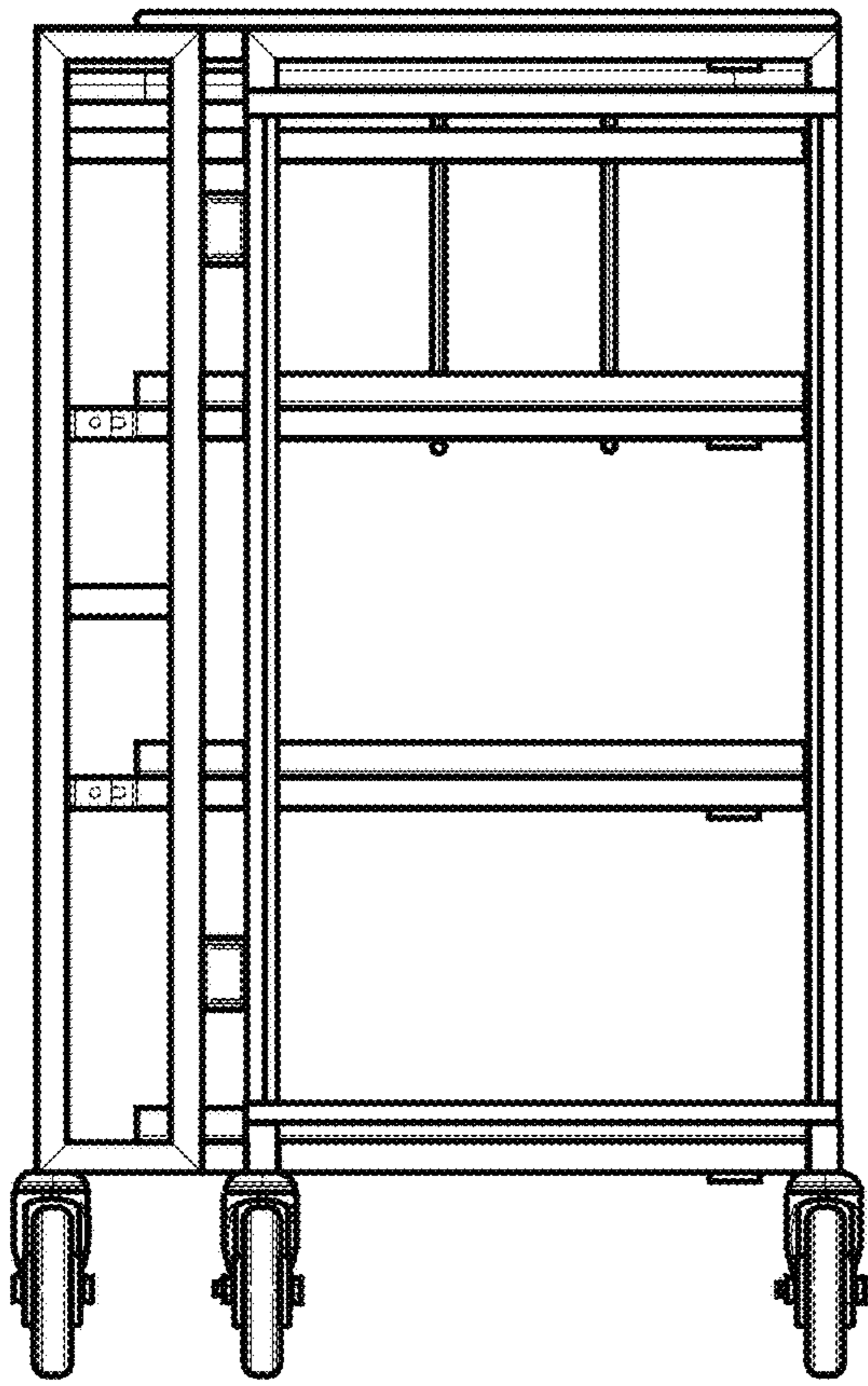


FIG. 4

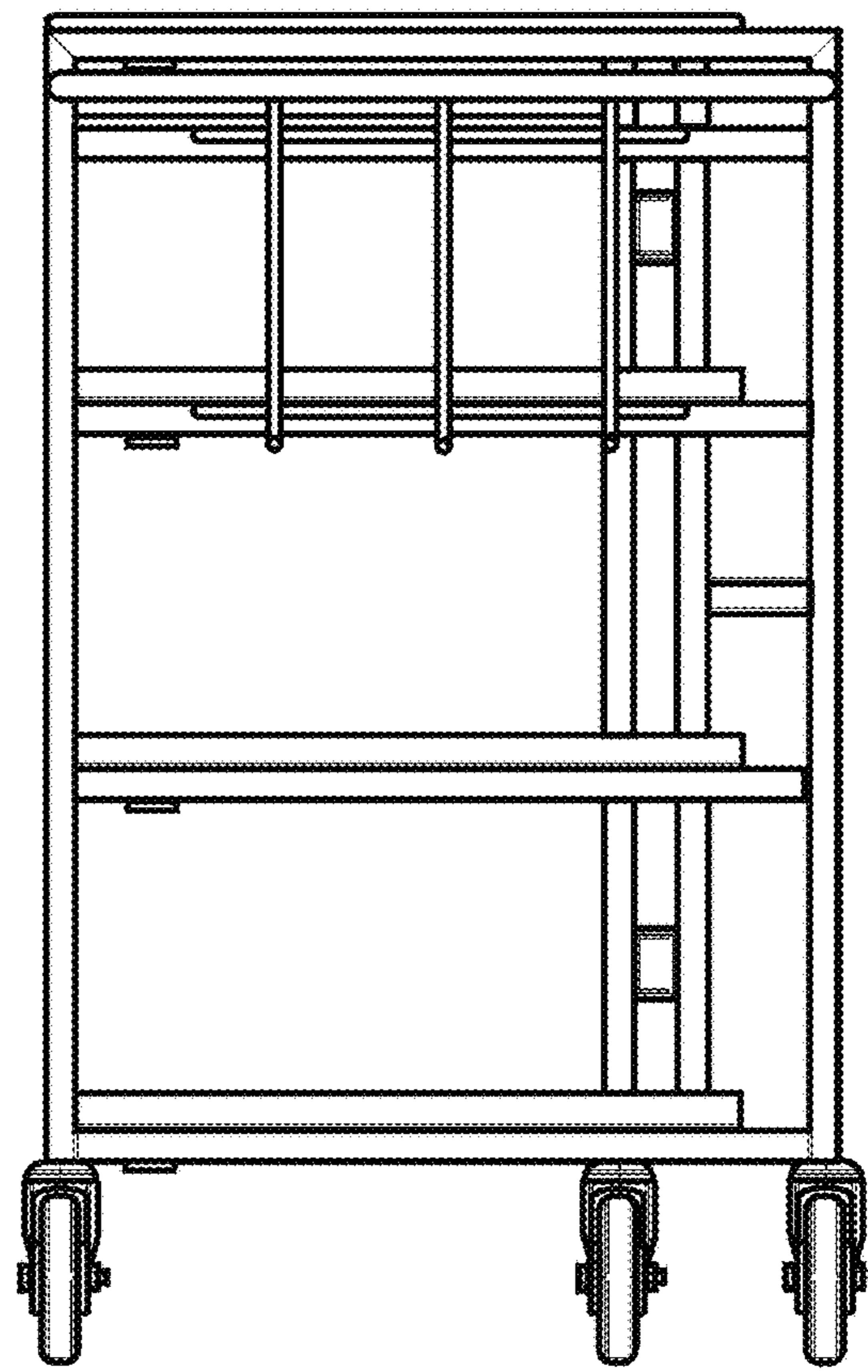


FIG. 5

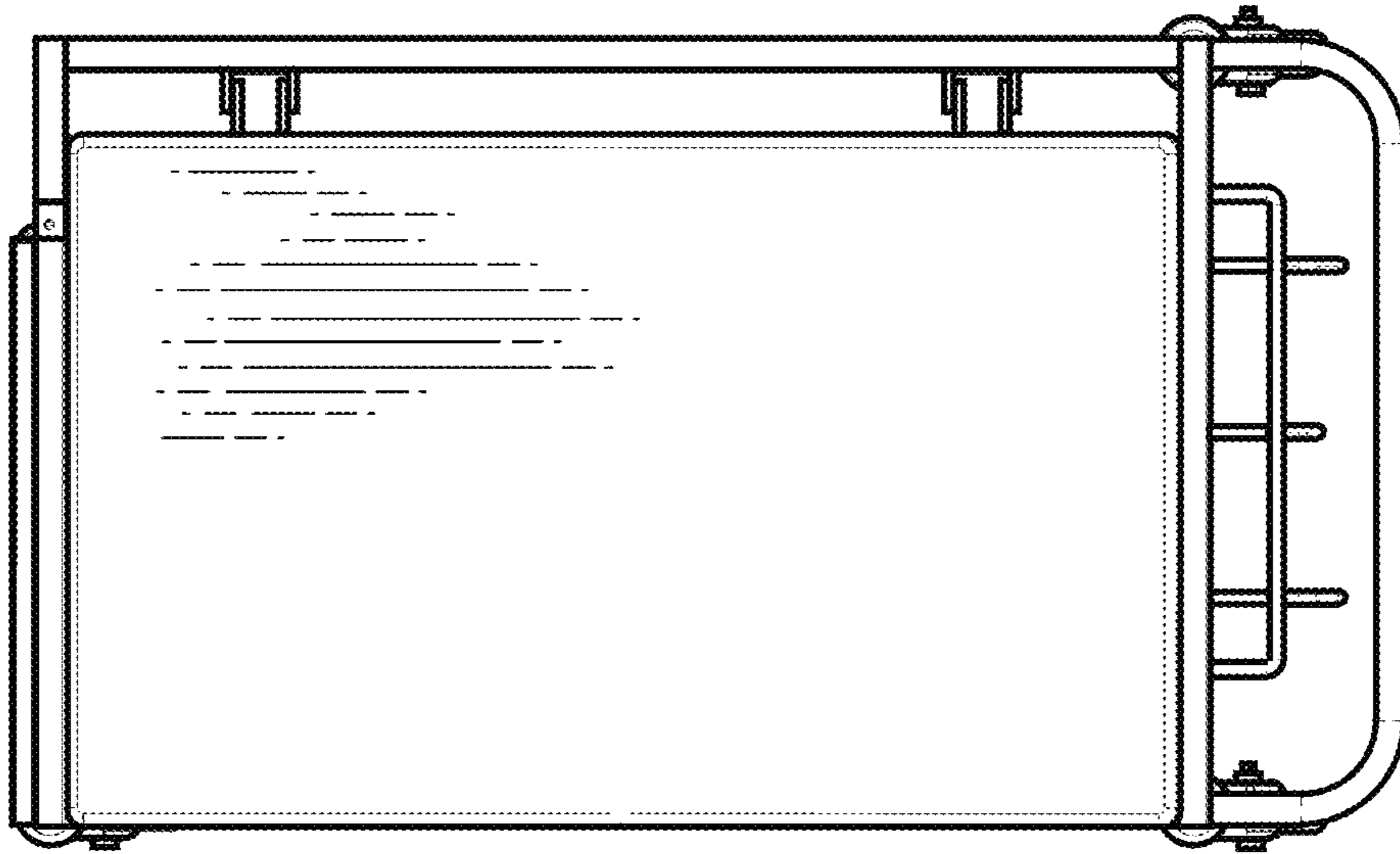


FIG. 6

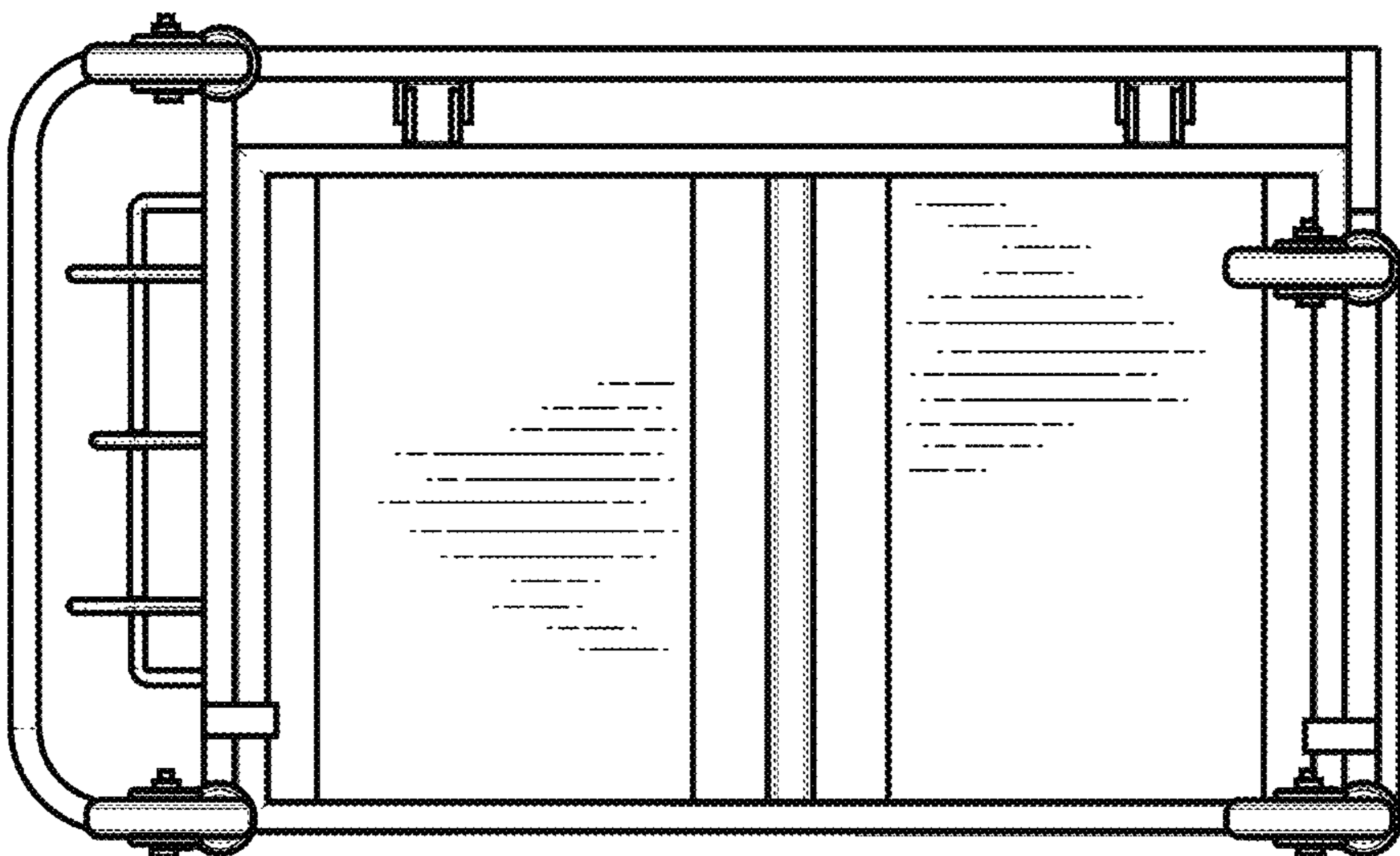


FIG. 7

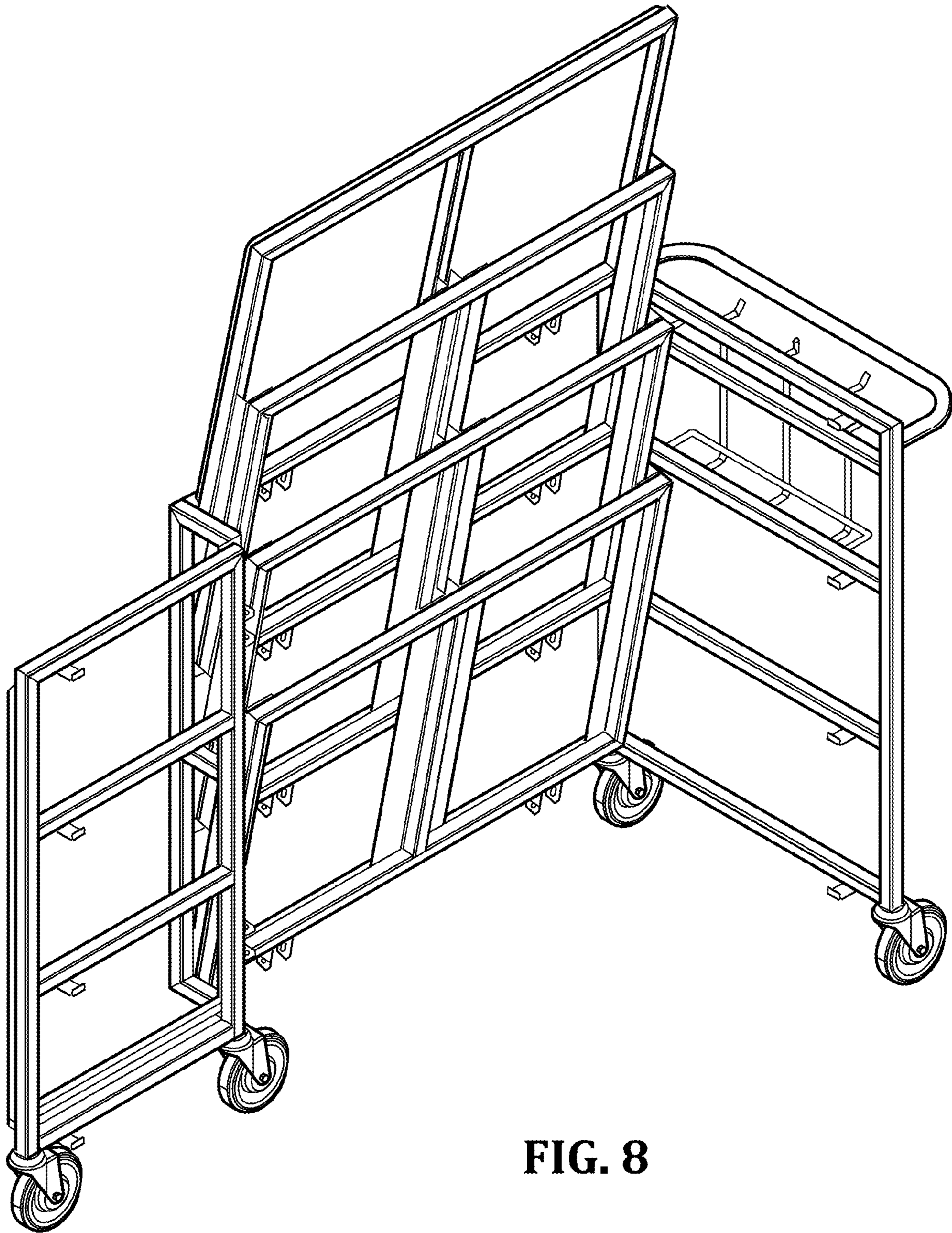


FIG. 8

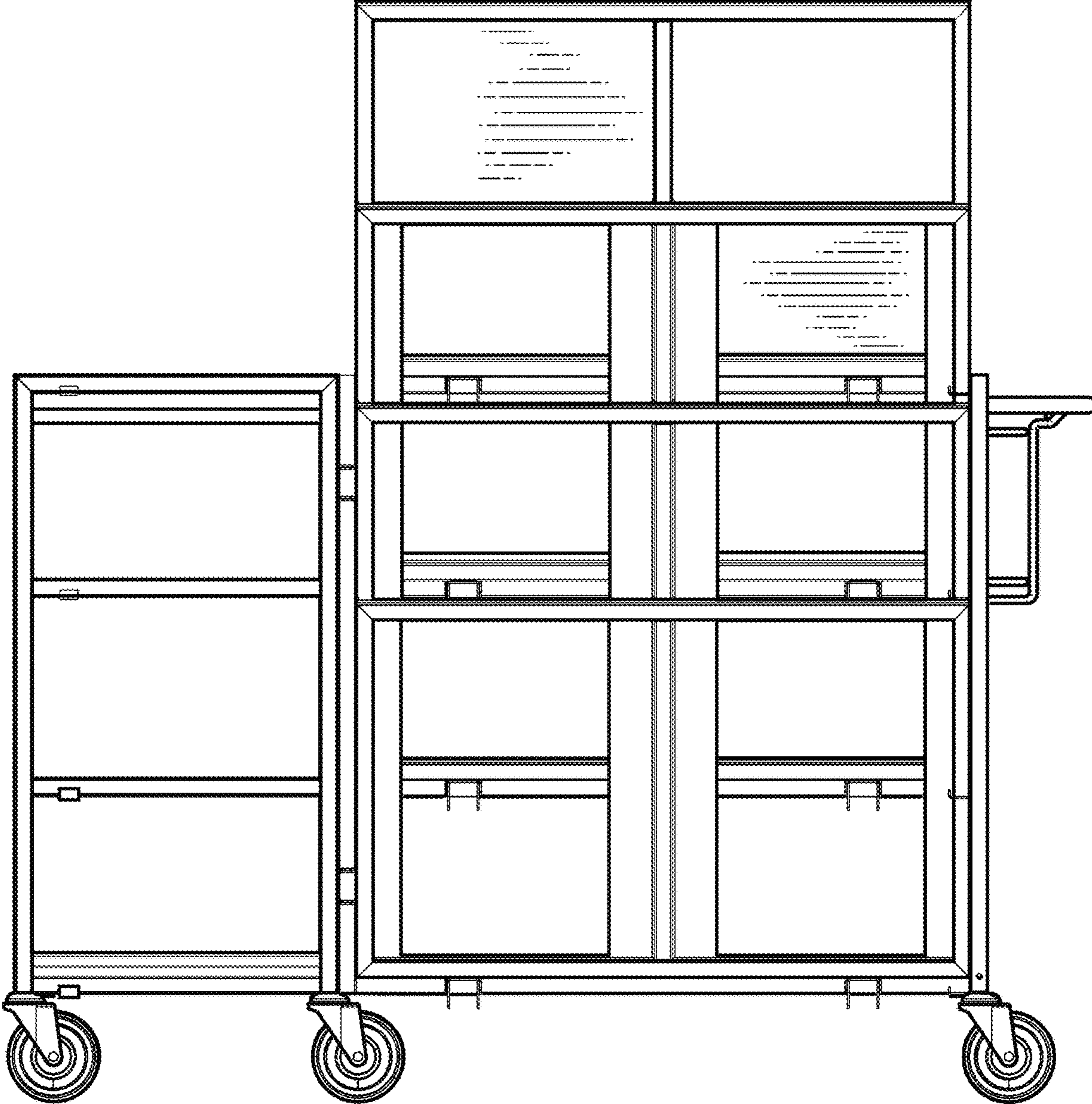


FIG. 9

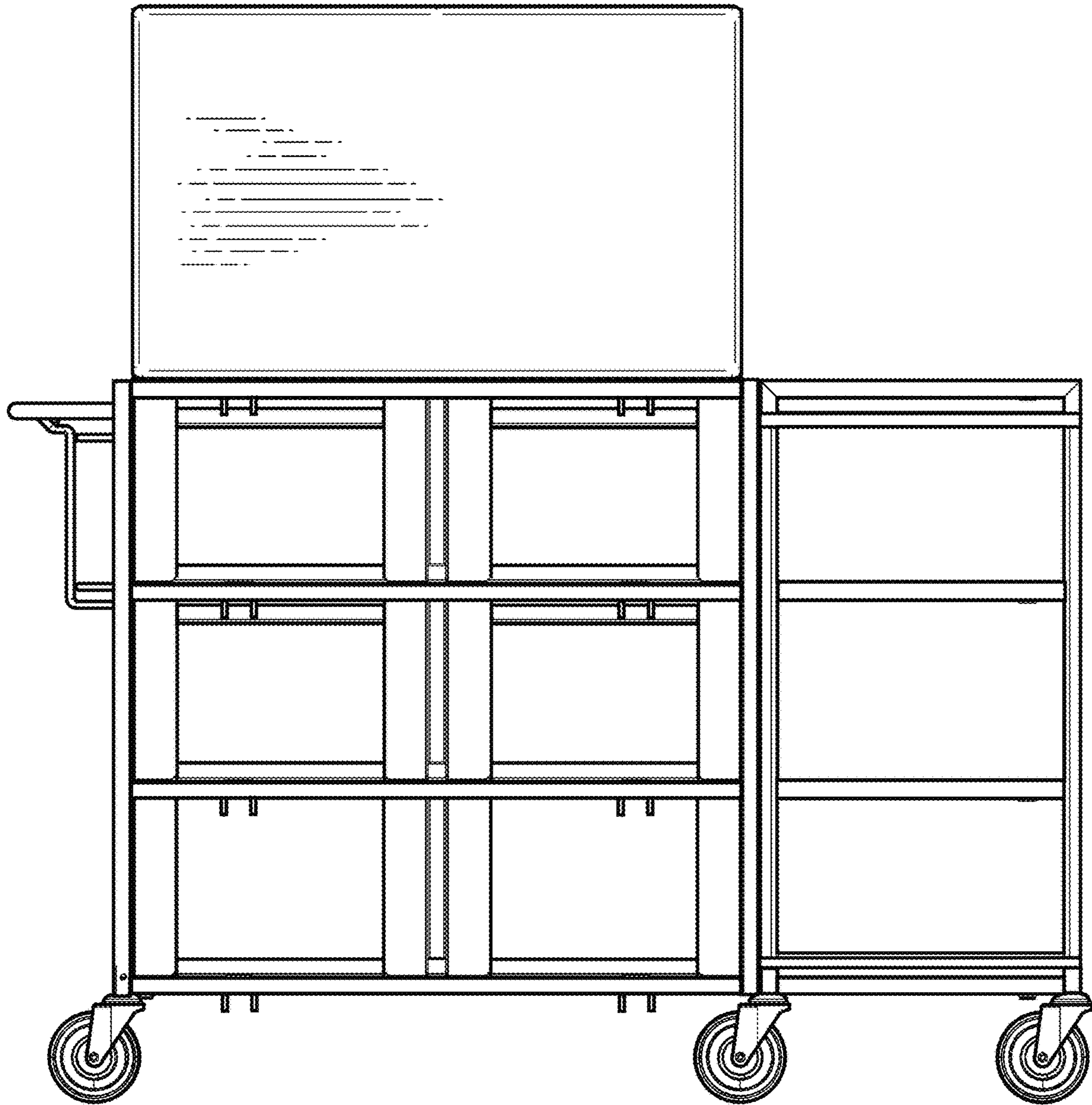


FIG. 10

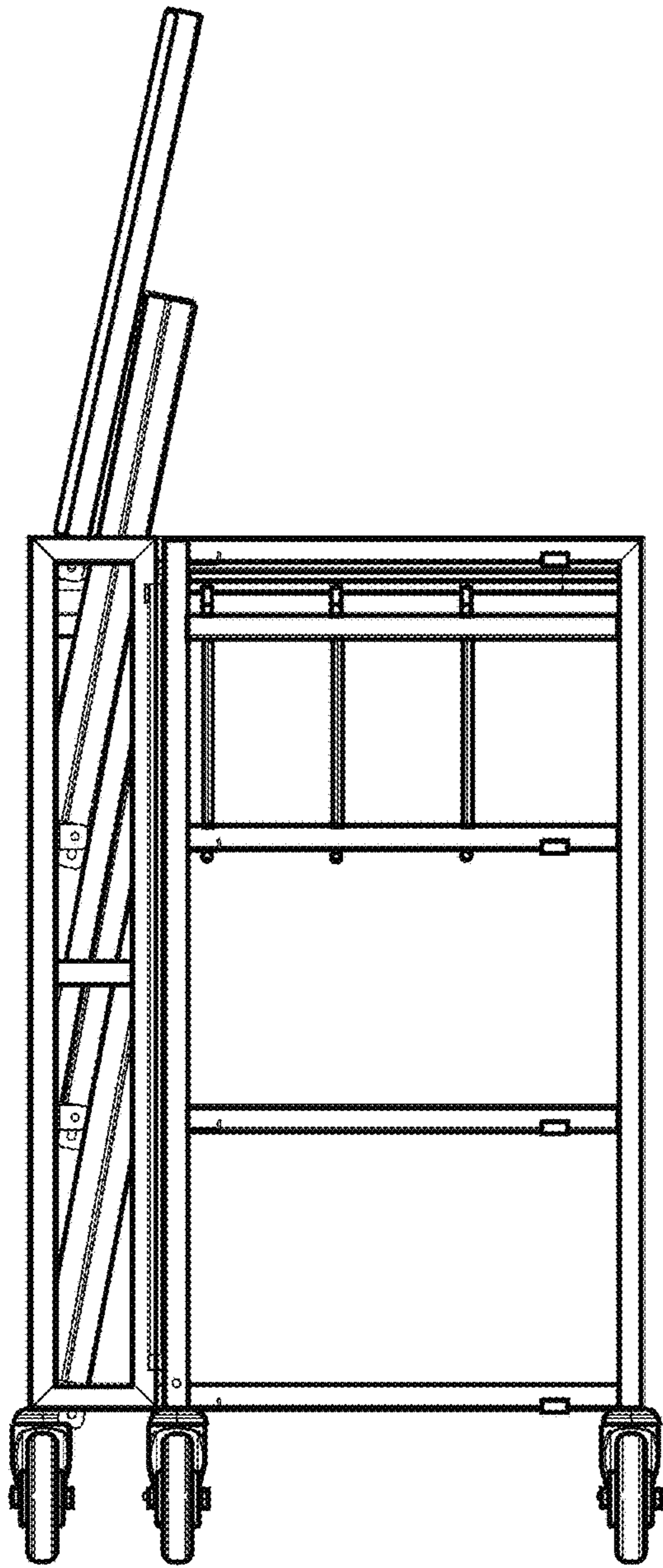


FIG. 11

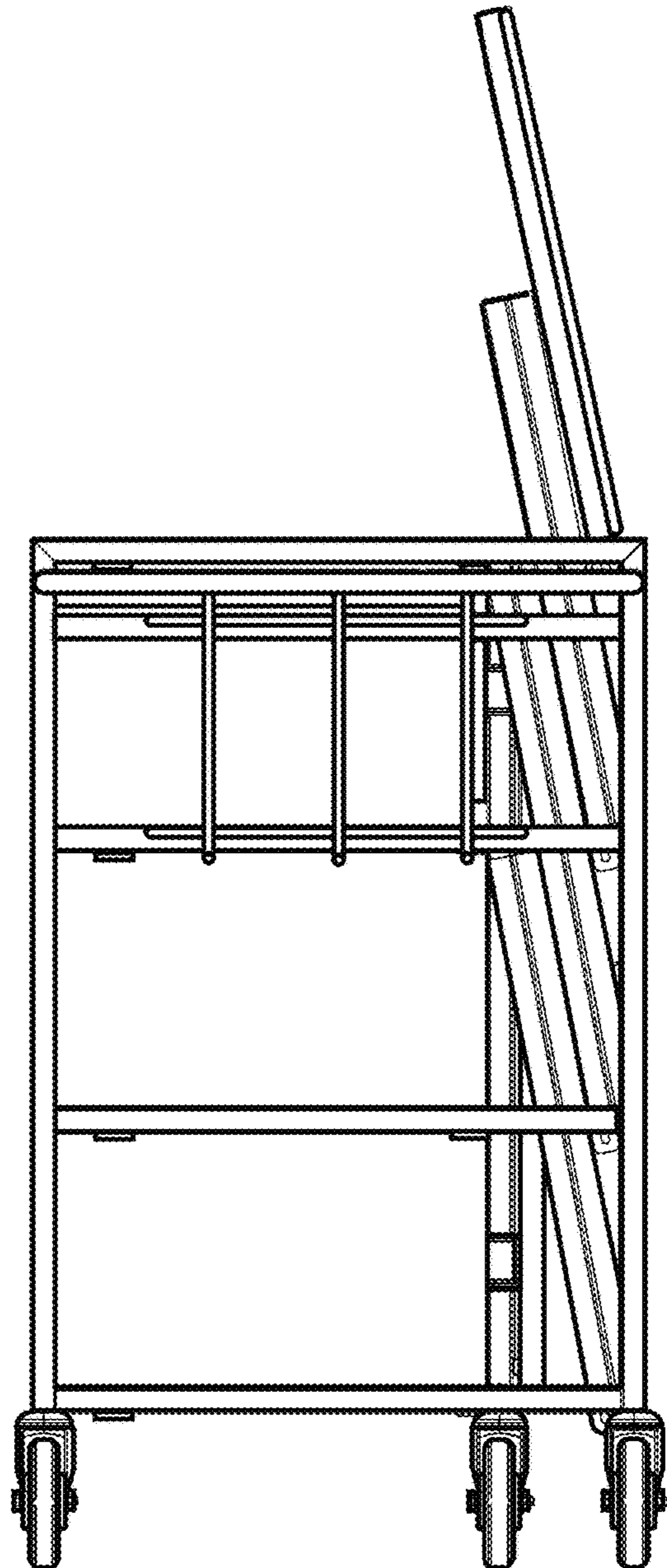


FIG. 12

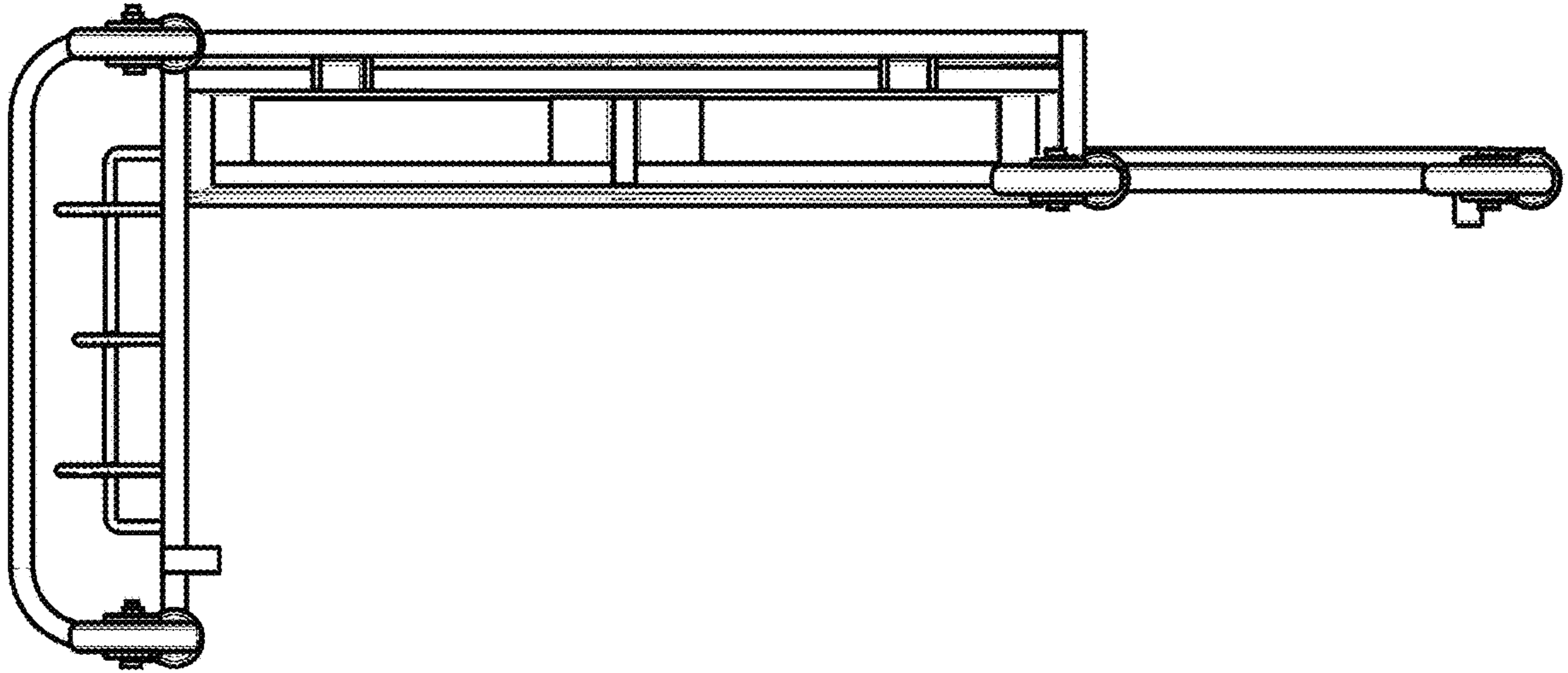


FIG. 13

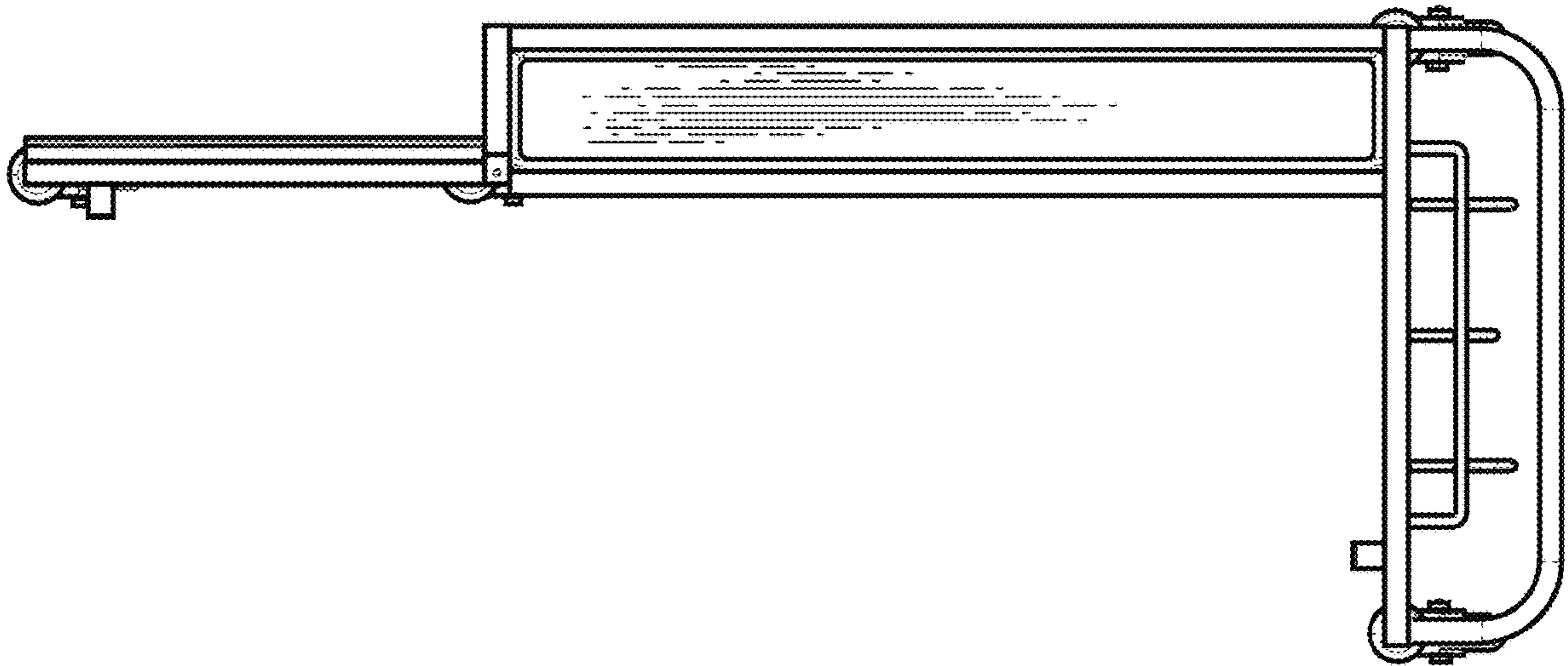


FIG. 14

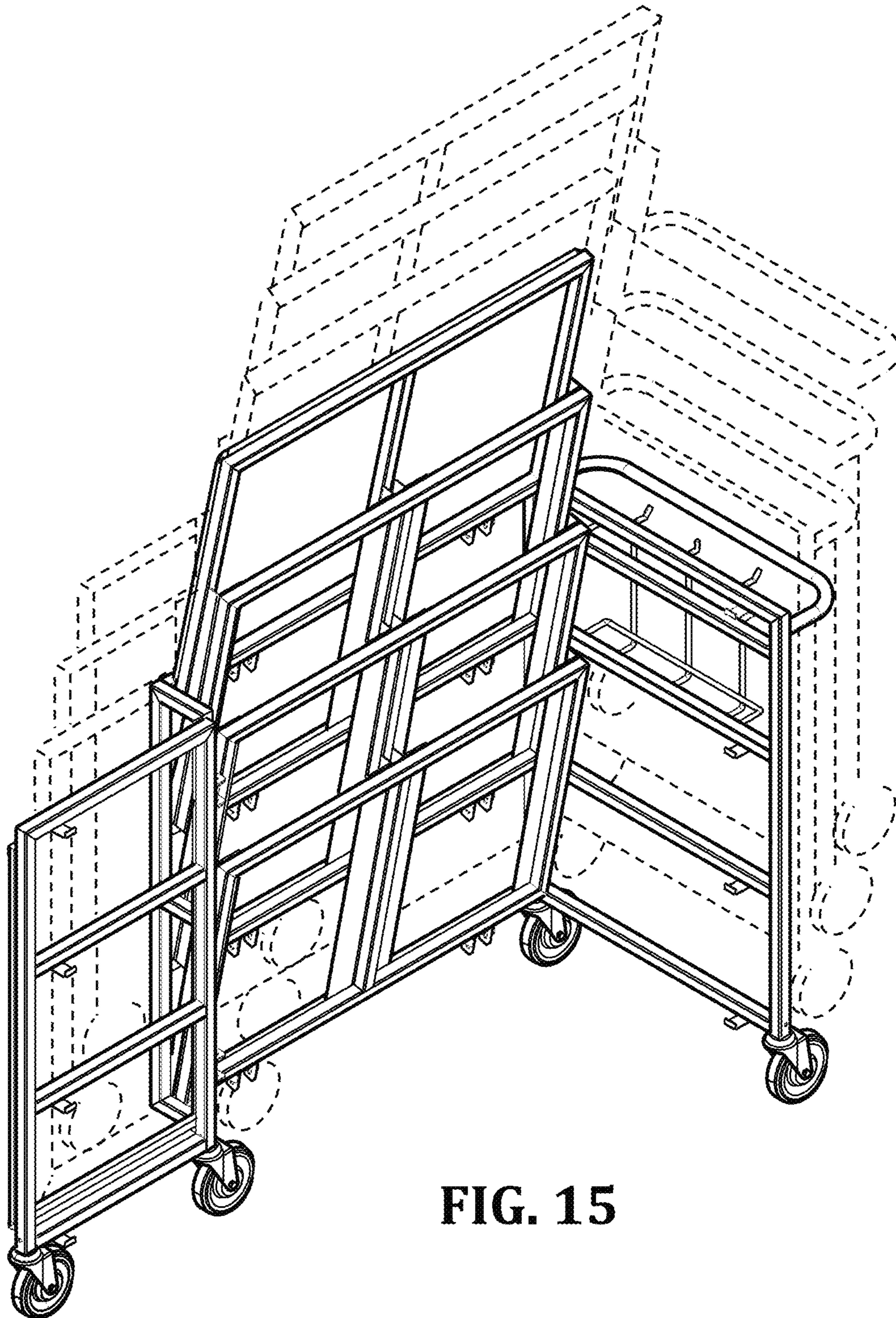


FIG. 15