



US00D982274S

(12) **United States Design Patent**
Chen

(10) **Patent No.:** **US D982,274 S**
(45) **Date of Patent:** **** Mar. 28, 2023**

(54) **ROLLING CART**

(71) Applicant: **XiaMen YiJiaHengTai Trading Co., Ltd**, Xiamen (CN)

(72) Inventor: **Junlin Chen**, Fujian (CN)

(**) Term: **15 Years**

(21) Appl. No.: **29/850,215**

(22) Filed: **Aug. 17, 2022**

(51) **LOC (14) Cl.** **12-02**

(52) **U.S. Cl.**
USPC **D34/12**

(58) **Field of Classification Search**
USPC D34/12, 14, 17, 21
CPC B62B 3/02; B62B 3/10; B62B 1/12; B62B 5/0438; B62B 2205/12; B62B 2205/06; B62B 2205/30

See application file for complete search history.

(56) **References Cited**

U.S. PATENT DOCUMENTS

3,527,174	A *	9/1970	Lay	A47B 31/04 108/115
3,541,975	A *	11/1970	Lay	A47B 31/00 211/132.1
D301,790	S *	6/1989	Ivano	D34/21
D517,769	S *	3/2006	Post	D34/21
D585,621	S *	1/2009	Taillon	D34/21
D704,482	S *	5/2014	Hsu	D6/675.1
D747,837	S	1/2016	Chang		
D798,018	S *	9/2017	Walter	D34/17
D809,730	S *	2/2018	Churchvara	D34/21
D852,448	S	6/2019	Hu		
D919,918	S *	5/2021	Liu	D34/21
11,001,286	B2 *	5/2021	Liu	A47B 57/36
D922,021	S *	6/2021	Phillips	D34/21
D955,682	S *	6/2022	Tsai	D34/21
2020/0231197	A1 *	7/2020	Liu	B62B 3/02

OTHER PUBLICATIONS

Nexel Cart, announced Dec. 2019 [online], [site visited Nov. 14, 2022]. Avail from int, URL: <https://www.globalindustrial.com/p/stainless-steel-utility-cart-2-shelves-36x18> (Year: 2019).*

Curiod Cart, announced 2019 [online], [site visited Nov. 14, 2022]. Avail from int, URL: <https://www.walmart.com/ip/Curiod-Rolling-2-Shelf-Metal-Framed-Wood-Kitchen-Bar-Cart-Smoked-Oak-Finish/773841923> (Year: 2019).*

Frontier Cart, announced Jan. 2021 [online], [site visited Nov. 14, 2022]. Avail from int, URL: <https://www.homedepot.com/p/Frontier-30-25-in-2-Tray-Heavy-Duty-Rolling-Utility-Tool-Cart-in-Black-AMZ3032/310501117> (Year: 2021).*

* cited by examiner

Primary Examiner — Cynthia Ramirez

Assistant Examiner — Tamara L Hahn

(74) *Attorney, Agent, or Firm* — Che-Yang Chen; Law Office of Michael Chen

(57) **CLAIM**

The ornamental design for a rolling cart, as shown and described.

DESCRIPTION

FIG. 1 is a perspective view of the rolling cart showing my new design;

FIG. 2 is a perspective view thereof from another angle;

FIG. 3 is a front elevational view thereof;

FIG. 4 is a rear elevational view thereof;

FIG. 5 is a left side elevational view thereof;

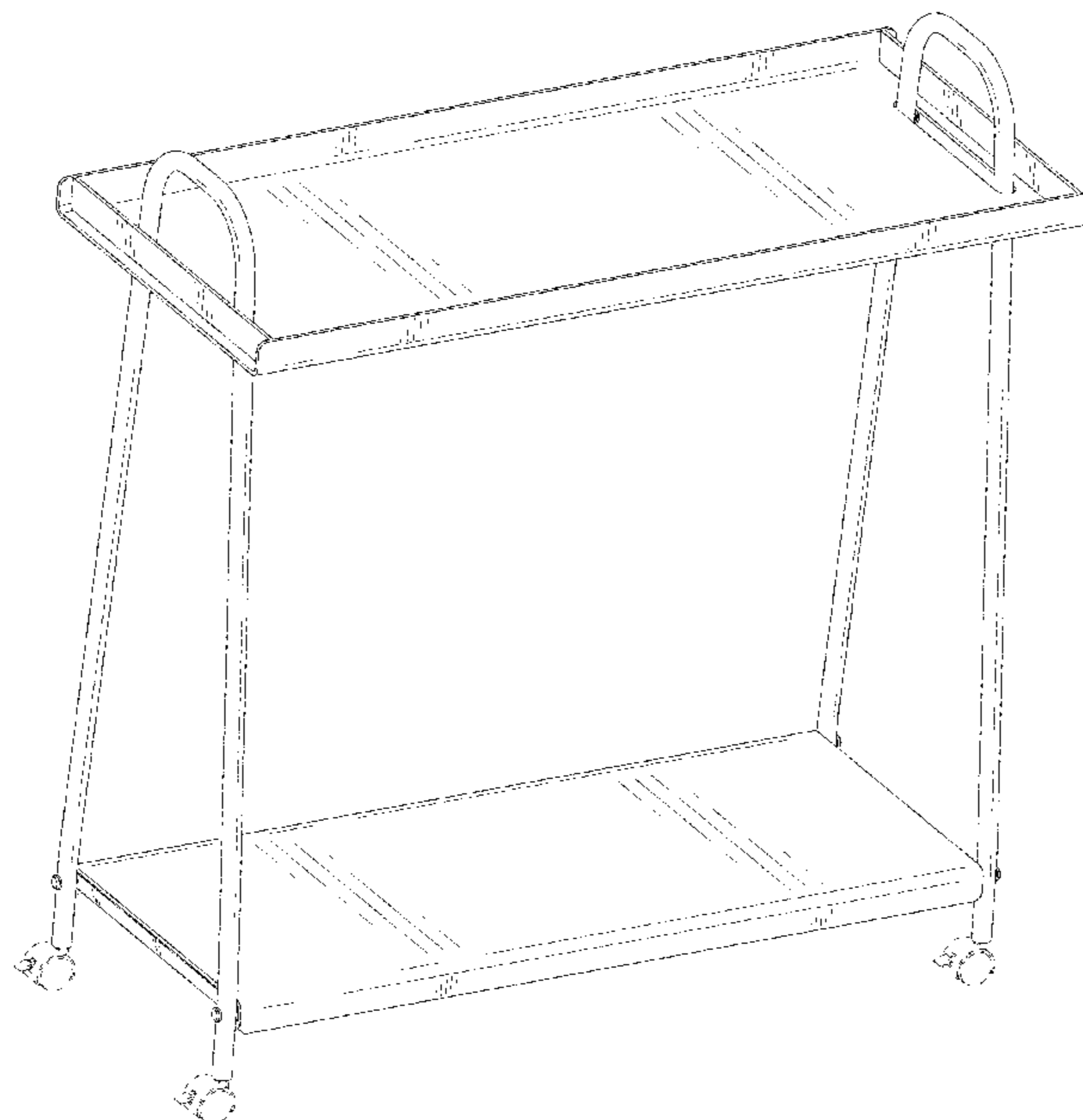
FIG. 6 is a right side elevational view thereof;

FIG. 7 is a top plan view thereof; and,

FIG. 8 is a bottom plan view thereof.

The broken lines shown in the drawings represent portions of the rolling cart that form no part of the claimed design.

1 Claim, 8 Drawing Sheets



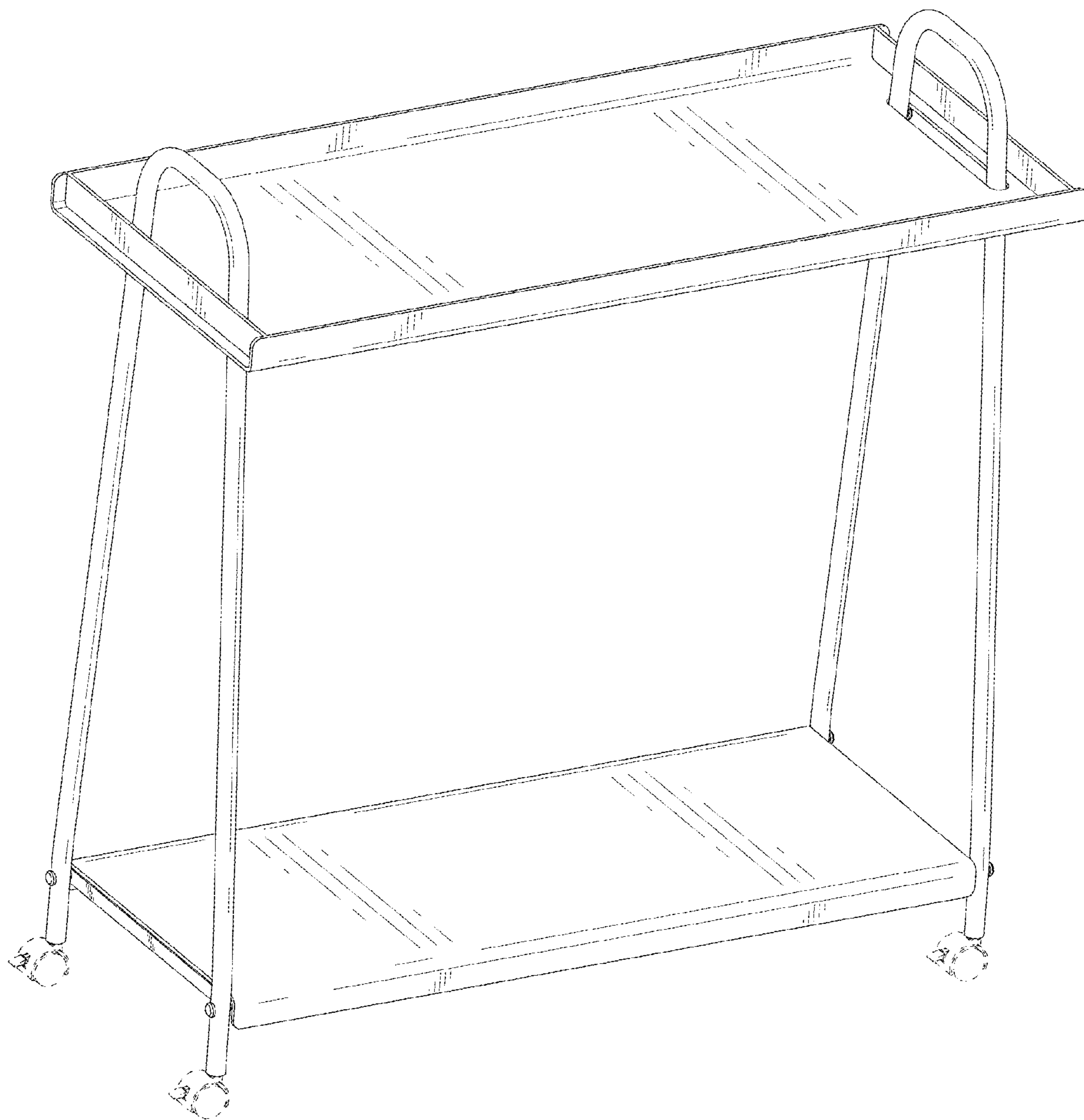


FIG. 1

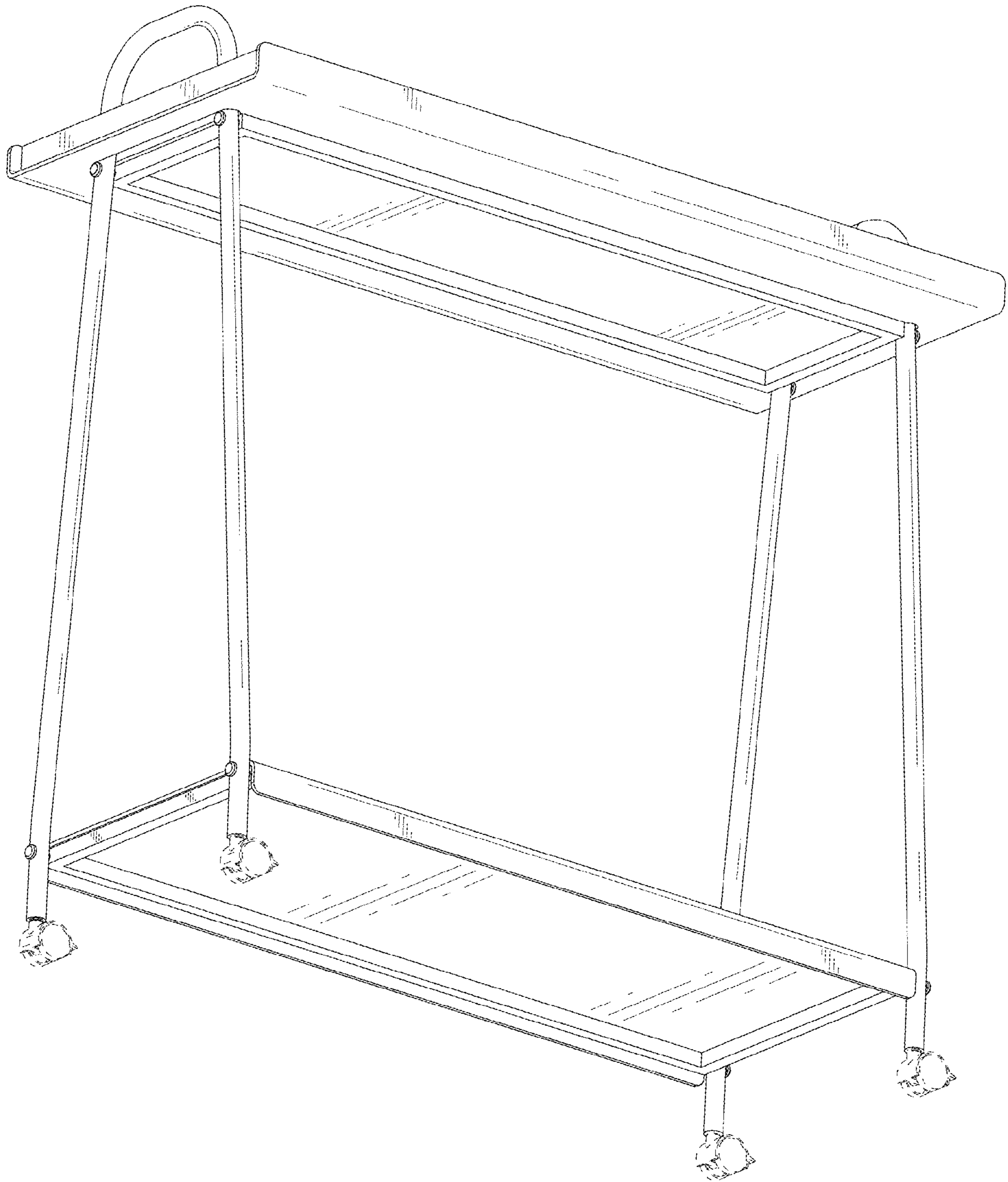


FIG. 2

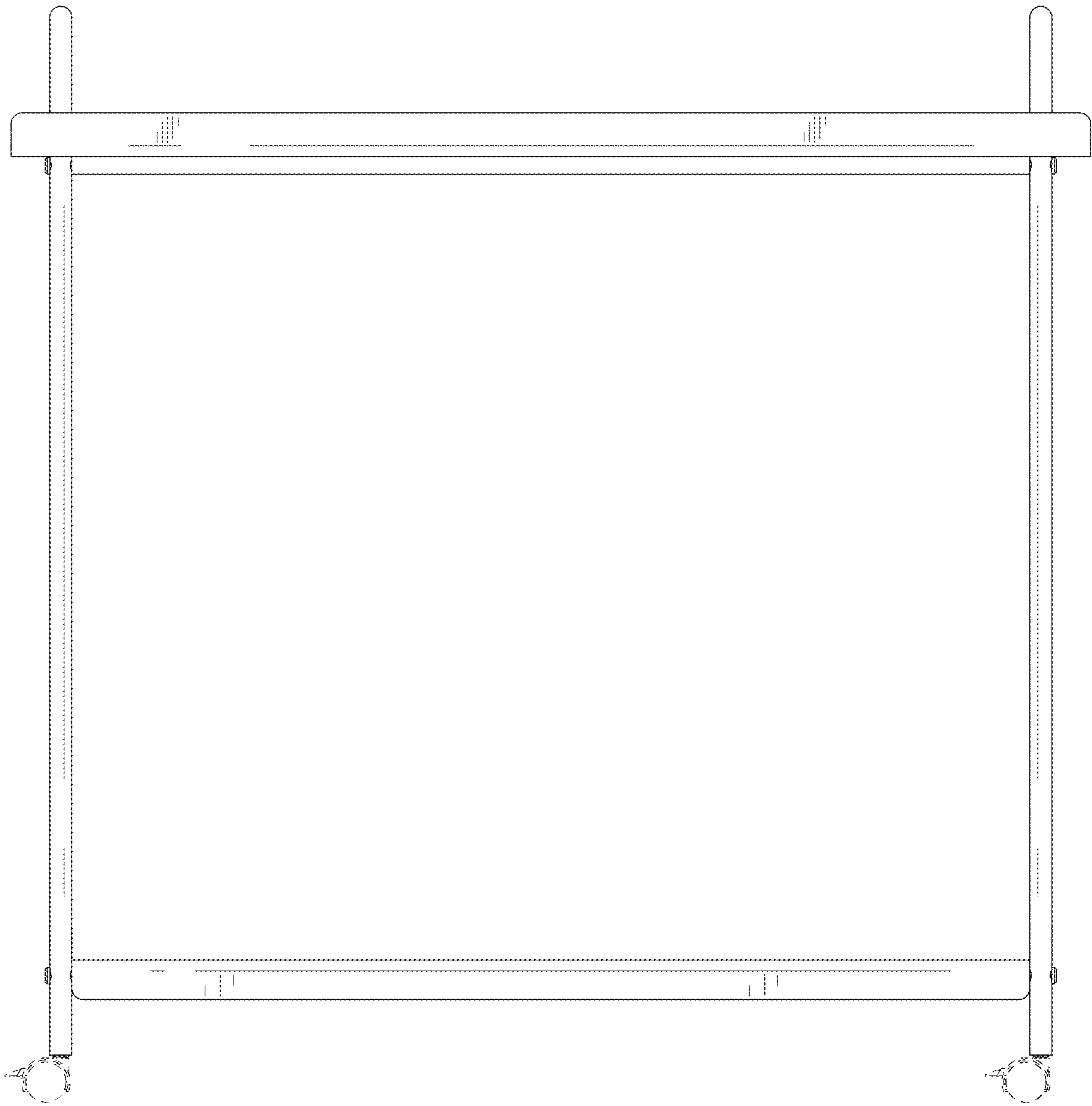


FIG. 3

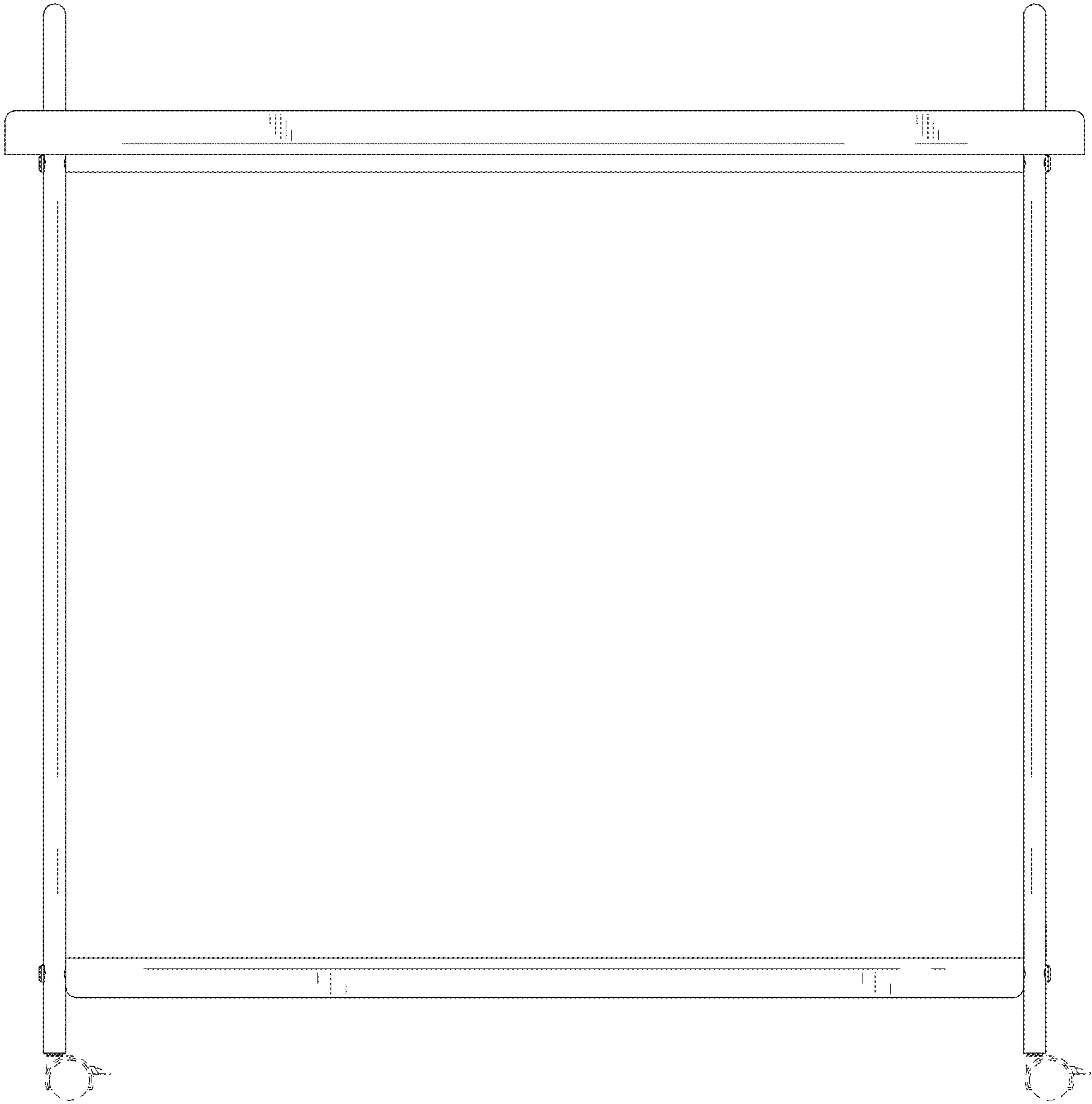


FIG. 4

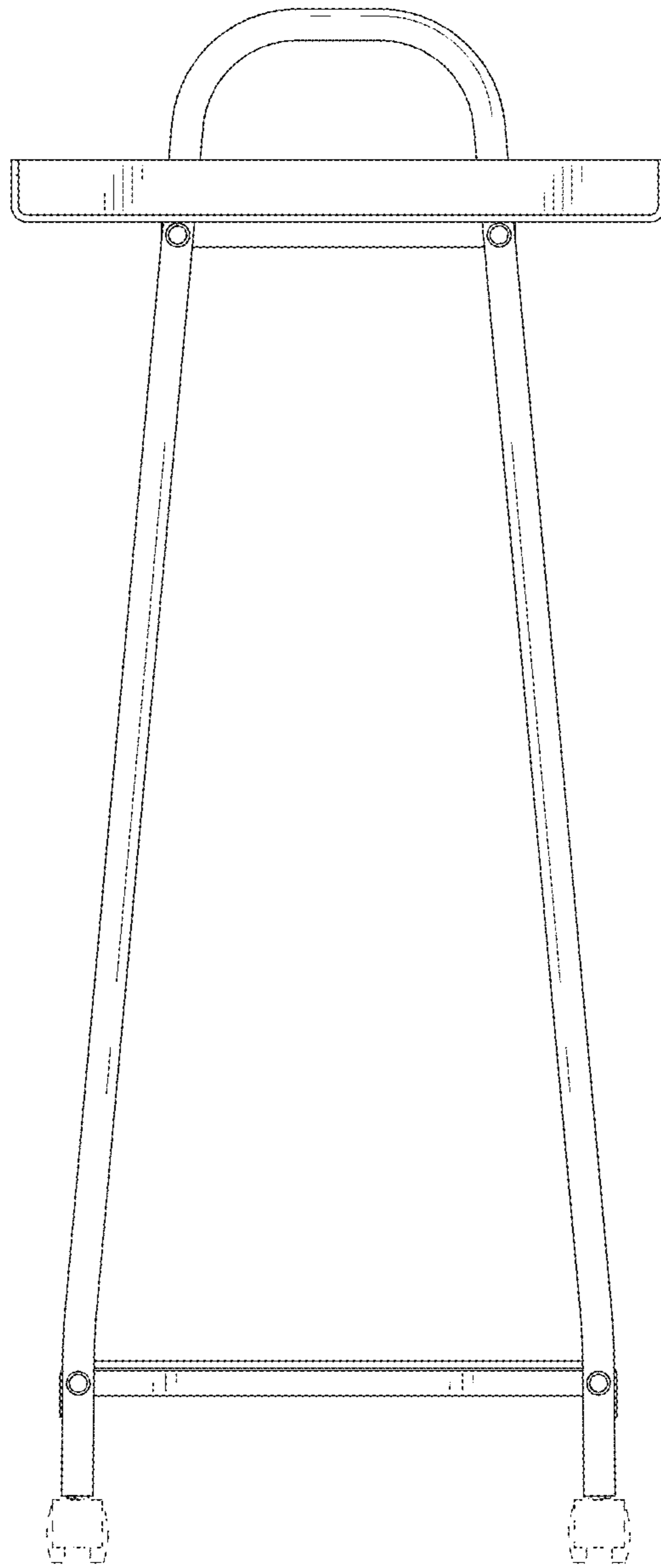


FIG. 5

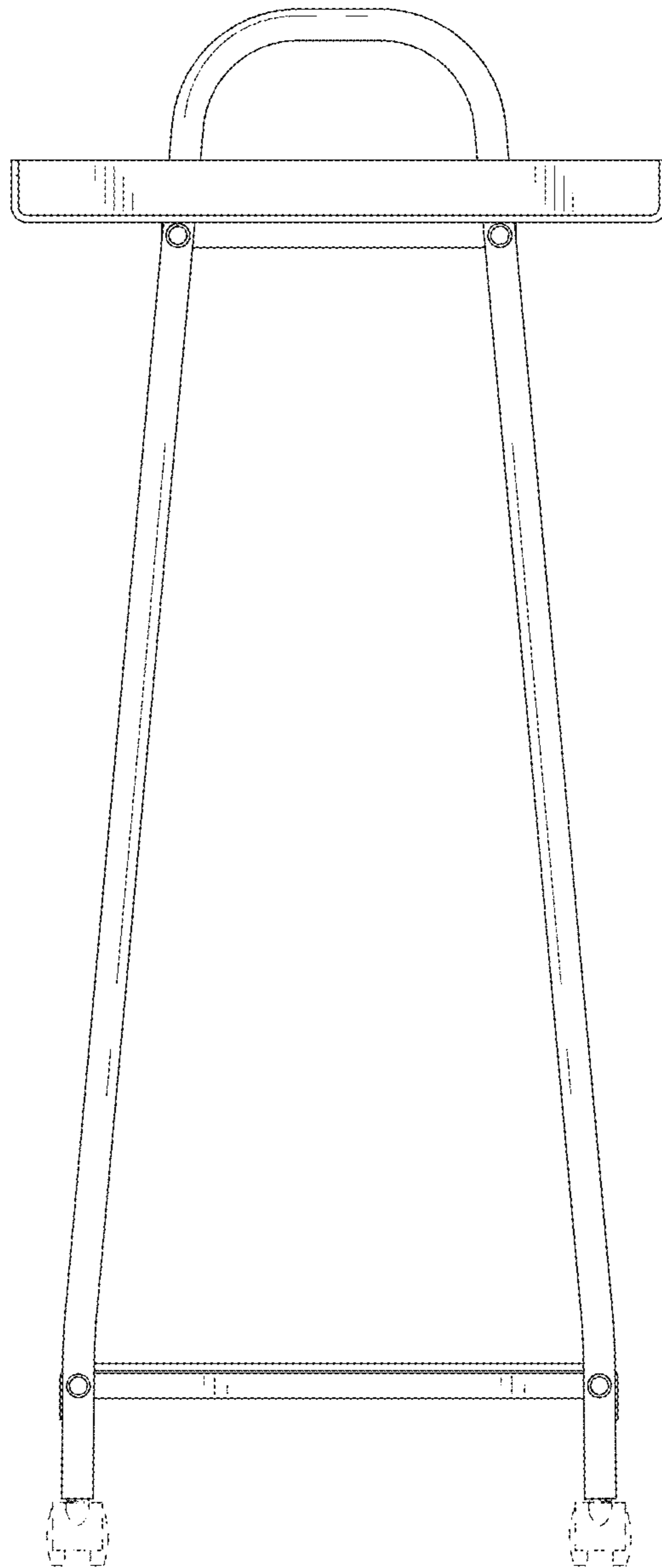


FIG. 6

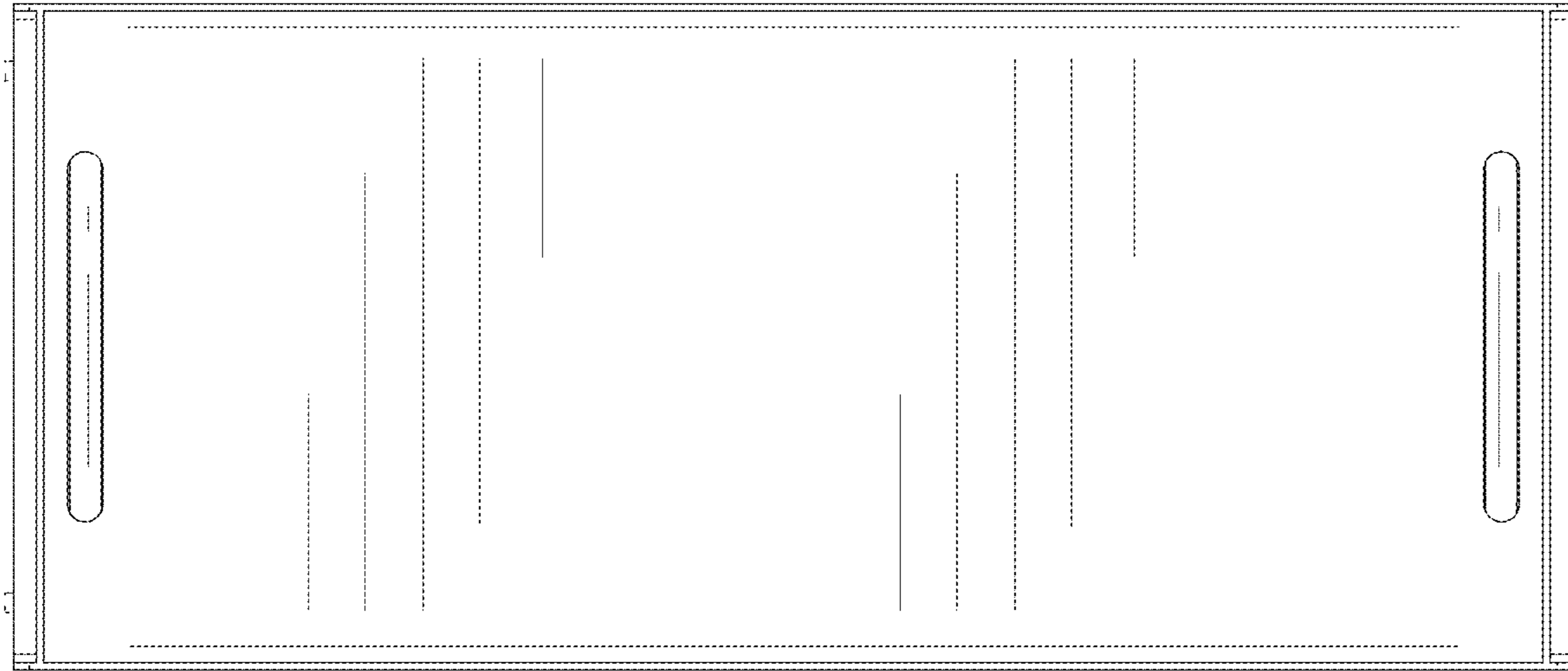


FIG. 7

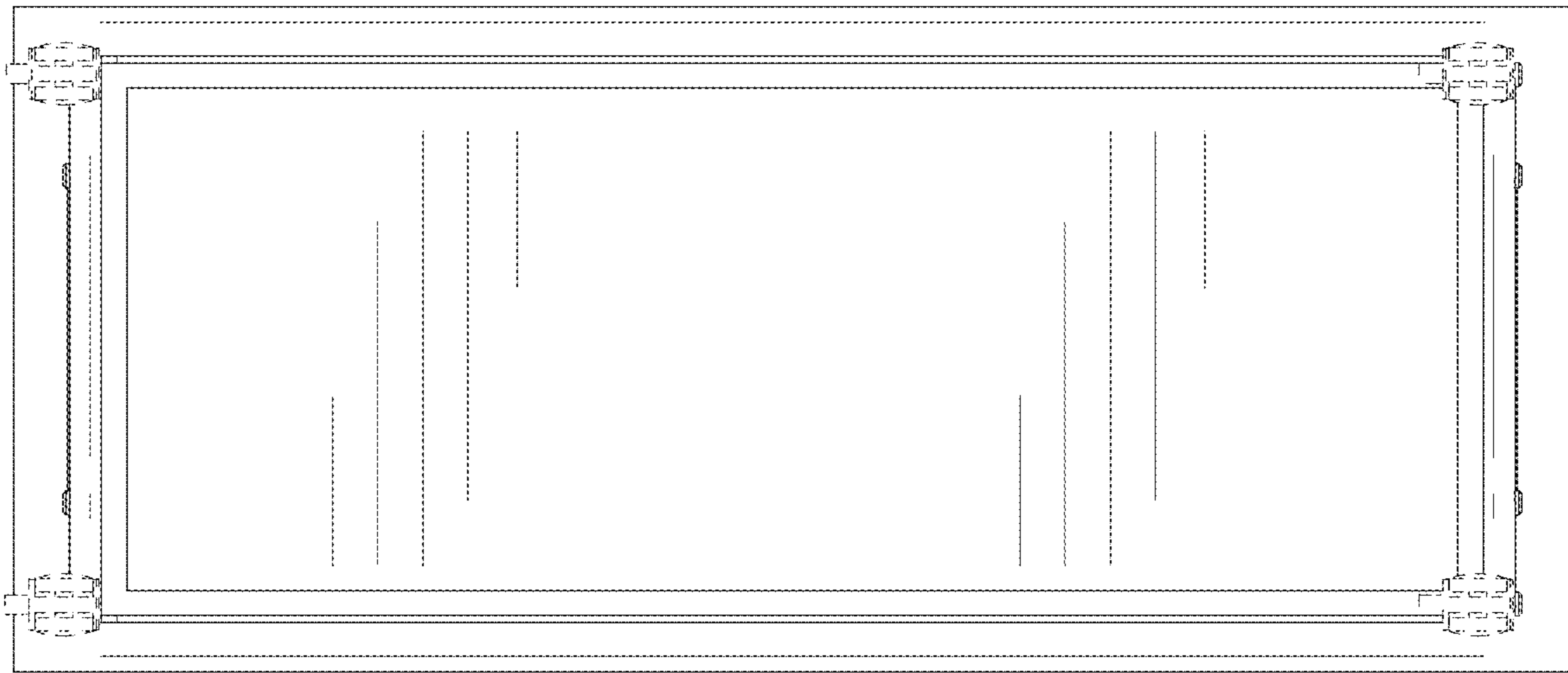


FIG. 8