



US00D982273S

(12) **United States Design Patent** (10) **Patent No.:** **US D982,273 S**  
**Chen** (45) **Date of Patent:** **\*\* Mar. 28, 2023**

(54) **STEP CAN**  
(71) Applicant: **EKO DEVELOPMENT LTD.,**  
Guangzhou (CN)  
(72) Inventor: **Yizhi Chen,** Guangzhou (CN)  
(73) Assignee: **EKO Development Ltd.,** Guangzhou  
(CN)  
(\*\*) Term: **15 Years**  
(21) Appl. No.: **29/783,781**  
(22) Filed: **May 14, 2021**  
(51) **LOC (14) Cl.** ..... **09-09**  
(52) **U.S. Cl.**  
USPC ..... **D34/9**  
(58) **Field of Classification Search**  
USPC ..... D34/1-11  
CPC ..... B65F 1/00; B65F 1/163; B65F 1/1638;  
B65F 1/0033; B65F 2001/1489; Y10S  
220/908  
See application file for complete search history.

(56) **References Cited**  
U.S. PATENT DOCUMENTS

D215,617 S 10/1969 Heck  
D246,090 S 10/1977 Gault  
D250,744 S 1/1979 Morin  
D333,542 S 2/1993 McKenzie  
D335,562 S 5/1993 Evans  
5,242,074 A 9/1993 Conaway et al.  
D342,817 S 12/1993 Lippisch et al.  
D343,709 S 1/1994 Doty et al.  
5,531,348 A 7/1996 Baker et al.  
D380,613 S 7/1997 Apps et al.  
D437,384 S 2/2001 Fletcher et al.  
6,345,725 B1 2/2002 Lin  
D466,667 S \* 12/2002 Lin ..... D34/9  
D472,357 S 3/2003 Stewart  
D472,688 S 4/2003 Lin  
D476,460 S \* 6/2003 Lin ..... D34/9

D482,169 S 11/2003 Lin  
D488,903 S 4/2004 Yang et al.  
D489,503 S \* 5/2004 Lin ..... D34/9  
D513,103 S 12/2005 Lin  
D513,445 S \* 1/2006 Lin ..... D34/9  
6,981,606 B2 1/2006 Yang et al.  
(Continued)

FOREIGN PATENT DOCUMENTS

CN 307441393 \* 7/2022

OTHER PUBLICATIONS

Simple Human, announced 2022 [online], [site visited Oct. 31, 2022]. Avail from int, URL: <https://www.uline.com/Product/Detail/H-9142/Plastic-Indoor-Trash-Cans/simplehuman-Step-On-Trash-Can-13-Gallon> (Year: 2022).\*  
(Continued)

*Primary Examiner* — Cynthia Ramirez  
*Assistant Examiner* — Tamara L Hahn  
(74) *Attorney, Agent, or Firm* — William H. Dippert;  
Laurence A. Greenberg; Werner H. Stemer

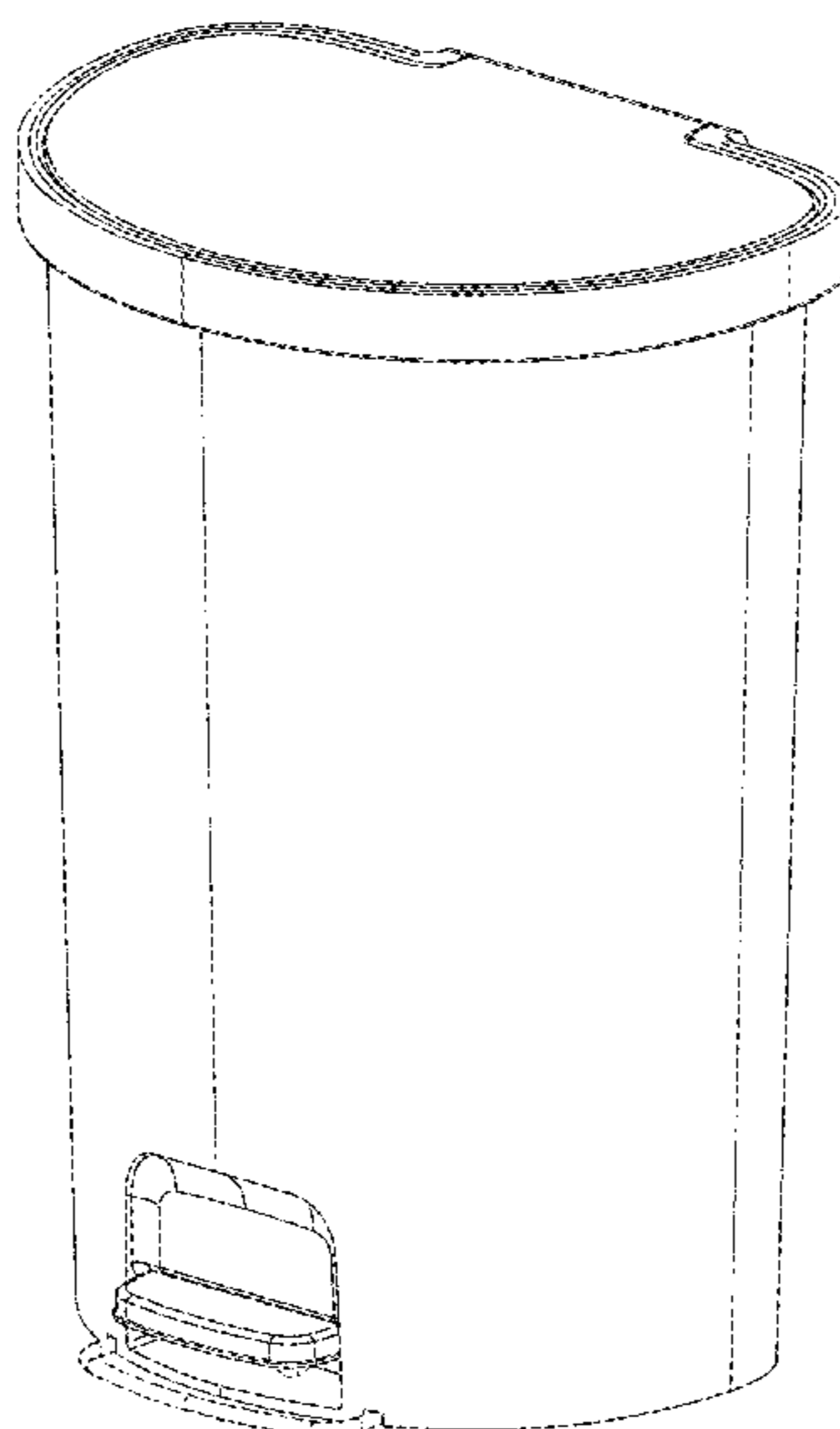
(57) **CLAIM**

The ornamental design for a step can, as shown and described.

**DESCRIPTION**

FIG. 1 is a perspective view of a step can, showing my new design.  
FIG. 2 is a top plan view thereof.  
FIG. 3 is a front elevation view thereof.  
FIG. 4 is a right-side elevation view thereof.  
FIG. 5 is a rear elevation view thereof.  
FIG. 6 is a bottom plan view thereof; and,  
FIG. 7 is a left-side elevation view thereof.  
The broken lines in the drawings represent portions of the step can that form no part of the claimed design.

**1 Claim, 7 Drawing Sheets**



(56)

References Cited

U.S. PATENT DOCUMENTS

D517,767 S 3/2006 Yang et al.  
D527,155 S 8/2006 Frankhauser  
D533,703 S 12/2006 Lin  
D535,800 S 1/2007 Yang et al.  
D537,223 S 2/2007 Lin  
D537,599 S 2/2007 Lin  
D537,601 S 2/2007 Lin  
D538,000 S 3/2007 Lin  
D540,501 S 4/2007 Wang  
D543,673 S 5/2007 Yang et al.  
D544,671 S 6/2007 Saunders et al.  
D547,917 S 7/2007 Yang et al.  
D552,321 S 10/2007 Yang et al.  
D555,318 S 11/2007 Lin  
D555,320 S 11/2007 Yang et al.  
D561,969 S 2/2008 Lin  
D561,971 S 2/2008 Lin  
D566,367 S 4/2008 Lin  
D566,923 S 4/2008 Lin  
D567,468 S 4/2008 Yang et al.  
D568,570 S 5/2008 Lin  
D568,571 S 5/2008 Lin  
D571,520 S 6/2008 Lin  
D572,423 S 7/2008 Lin  
D580,120 S 11/2008 Lin  
D580,613 S 11/2008 Yang et al.  
D580,615 S 11/2008 Yang et al.  
D591,471 S 4/2009 Lee  
D593,271 S 5/2009 Yang et al.  
D593,796 S 6/2009 Kevan  
D595,917 S 7/2009 Liao  
7,559,433 B2 7/2009 Yang et al.  
D620,667 S 7/2010 Liao  
D620,668 S 7/2010 Liao  
D627,533 S 11/2010 Yang et al.  
D629,173 S \* 12/2010 Liao ..... D34/7  
D631,221 S 1/2011 Yang et al.  
D634,911 S 3/2011 Yang et al.  
D644,390 S 8/2011 Smeets et al.  
D644,806 S 9/2011 Yang et al.  
8,074,824 B1 12/2011 Roby-Wilson  
8,074,833 B2 12/2011 Yang et al.  
D655,061 S 2/2012 Scaturro  
D657,108 S 4/2012 Yang et al.  
D657,109 S 4/2012 Liao  
D675,802 S 2/2013 Yang et al.  
D675,803 S 2/2013 Yang et al.  
D709,662 S 7/2014 Yang et al.  
8,820,566 B2 9/2014 Ude  
D716,015 S \* 10/2014 van de Leest ..... D34/9  
D717,014 S \* 11/2014 Han ..... D34/9  
D719,313 S 12/2014 Kao  
D720,513 S 12/2014 Yang et al.  
D725,861 S 3/2015 Yang et al.  
D727,583 S 4/2015 Yang et al.  
D730,007 S 5/2015 Machen  
D730,008 S 5/2015 Yang et al.  
D734,912 S 7/2015 Ho et al.  
D739,109 S 9/2015 Becham et al.  
D743,138 S 11/2015 Sun Ting Kung et al.  
D754,413 S 4/2016 Wall  
D759,934 S 6/2016 Yang et al.  
D762,037 S 7/2016 Chen  
D765,937 S 9/2016 Chen  
D769,564 S 10/2016 Chen  
D769,566 S \* 10/2016 Chen ..... D34/9  
D771,344 S 11/2016 Yang et al.  
D773,145 S 11/2016 Yang et al.  
D773,769 S 12/2016 Chen  
D787,828 S 5/2017 Thoma et al.  
D790,145 S 6/2017 Chen  
D793,022 S 7/2017 Liao  
D793,642 S 8/2017 Yang et al.  
D796,766 S 9/2017 Chen  
D796,767 S 9/2017 Chen

D798,016 S 9/2017 Yang et al.  
D804,133 S 11/2017 Yang et al.  
D809,729 S 2/2018 Chen  
D813,485 S 3/2018 Liao  
D827,968 S 9/2018 Chen  
D829,400 S 9/2018 Yang et al.  
D830,659 S 10/2018 Greenspon et al.  
D831,289 S 10/2018 Greenspon et al.  
D835,374 S 12/2018 Yang et al.  
D836,278 S 12/2018 Berberet et al.  
D837,473 S 1/2019 Magnuson et al.  
D841,275 S 2/2019 Chen  
D842,573 S 3/2019 Smeets  
D845,576 S 4/2019 Lu  
D851,350 S 6/2019 Lu  
D853,064 S 7/2019 Chen  
D853,066 S 7/2019 Liao  
D853,067 S 7/2019 Chen  
D853,068 S 7/2019 Chen  
D855,919 S 8/2019 Yang et al.  
D860,570 S 9/2019 Chen  
D871,012 S 12/2019 Chen  
D882,903 S \* 4/2020 Chen ..... D34/9  
D929,062 S \* 8/2021 Chen ..... D34/9  
2003/0201267 A1 10/2003 Yang et al.  
2005/0230397 A1 10/2005 Yang et al.  
2007/0090112 A1 4/2007 Kalman et al.  
2007/0205195 A1 9/2007 Yang et al.  
2008/0006638 A1 1/2008 Yang et al.  
2009/0314779 A1 12/2009 Lee  
2011/0017735 A1 1/2011 Wang et al.  
2011/0049149 A1 3/2011 Shih  
2011/0139781 A1 6/2011 Jin et al.  
2011/0220648 A1 9/2011 Yang et al.  
2013/0098913 A1 4/2013 Yang et al.  
2013/0105486 A1 5/2013 Mashburn et al.  
2014/0238989 A1 8/2014 Wang et al.

OTHER PUBLICATIONS

Target bin, announced 2015 [online], [site visited Oct. 31, 2022]. Avail from int, URL: <https://www.target.com/p/7gal-step-trash-can-with-locking-lid-mint-room-essentials-8482/-/A-46782995> (Year: 2015).\*

Eko bin, announced 2022 [online], [site visited Oct. 31, 2022]. Avail from int, URL: <https://www.eko.com.cn/productshow.php?site=2&cid=14&id=29> (Year: 2022).\*

Curver Deco, announced 2022 [online], [site visited Oct. 31, 2022]. Avail from int, URL: [https://www.amazon.com/Curver-Gallon-Recycle-Kitchen-Silver/dp/B0B3252KBL/ref=sr\\_1\\_25](https://www.amazon.com/Curver-Gallon-Recycle-Kitchen-Silver/dp/B0B3252KBL/ref=sr_1_25) (Year: 2022).\*

Rubbermaid, announced Dec. 2021 [online], [site visited Oct. 31, 2022]. Avail from int, URL: <https://www.lowes.com/pd/Rubbermaid-13-Gallon-Black-Plastic-Trash-Can-with-Lid/5001786321> (Year: 2021).\*

Rubbermaid, announced Mar. 2021 [online], [site visited Oct. 31, 2022]. Avail from int, URL: <https://www.walmart.com/ip/Qualiazero-13-2-gal-Stainless-Steel-Step-On-Kitchen-Trash-Can/964307248> (Year: 2021).\*

Target: “Sensor bin (751)”, [https://www.target.com/s/sensor%20bin?ref=tgtadvXS000000&AFID=msn&CPNG=Storage%2BOrganization\\_Bins&adgroup=Bin+Sensor&LID=700000001177161p8648795059&LNM=sensoi:+bin&MT=e&network=s&device=c&q\\_uerystring=sensor+bins&frydsrc=gtao&msclkiid=82d5acc2fal fld130feef](https://www.target.com/s/sensor%20bin?ref=tgtadvXS000000&AFID=msn&CPNG=Storage%2BOrganization_Bins&adgroup=Bin+Sensor&LID=700000001177161p8648795059&LNM=sensoi:+bin&MT=e&network=s&device=c&q_uerystring=sensor+bins&frydsrc=gtao&msclkiid=82d5acc2fal fld130feef).

Amazon: “Trash bin sensor”, <https://www.amazon.com/trash-bin-sensor/s?k=trash+bin+sensor>.

Belson Outdoors “Durable Two-Piece Fiberglass Trash Receptacle”, <http://www.belson.com/Open-Top-Lift-Off-20-Gallon-Round-Fiberglass-Trash-Can>. Jun. 6, 2017. shown in p. 1, Model FG1829 TPL.

Amazon “Simplehuman Bullet Open Trash Can”, [https://www.amazon.com/simplehuman-Bullet-Trash-Commercial-Stainless/dp/B000BHUHP0/ref=cm\\_cr\\_ar\\_p\\_d\\_product\\_top?ie=UTF8](https://www.amazon.com/simplehuman-Bullet-Trash-Commercial-Stainless/dp/B000BHUHP0/ref=cm_cr_ar_p_d_product_top?ie=UTF8). Apr. 17, 2008. shown in p. 1, Model No. CW1407.

\* cited by examiner

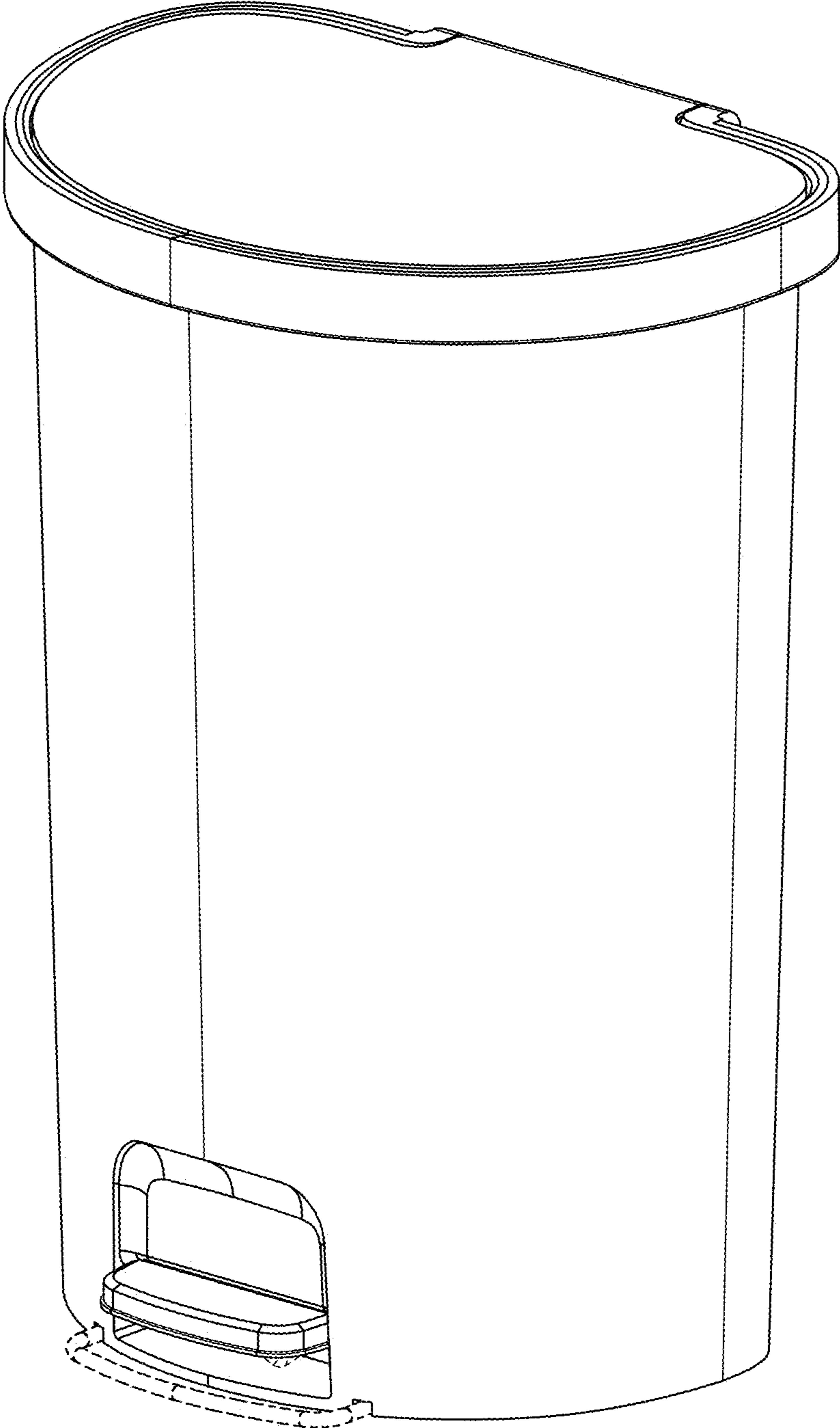


FIG. 1

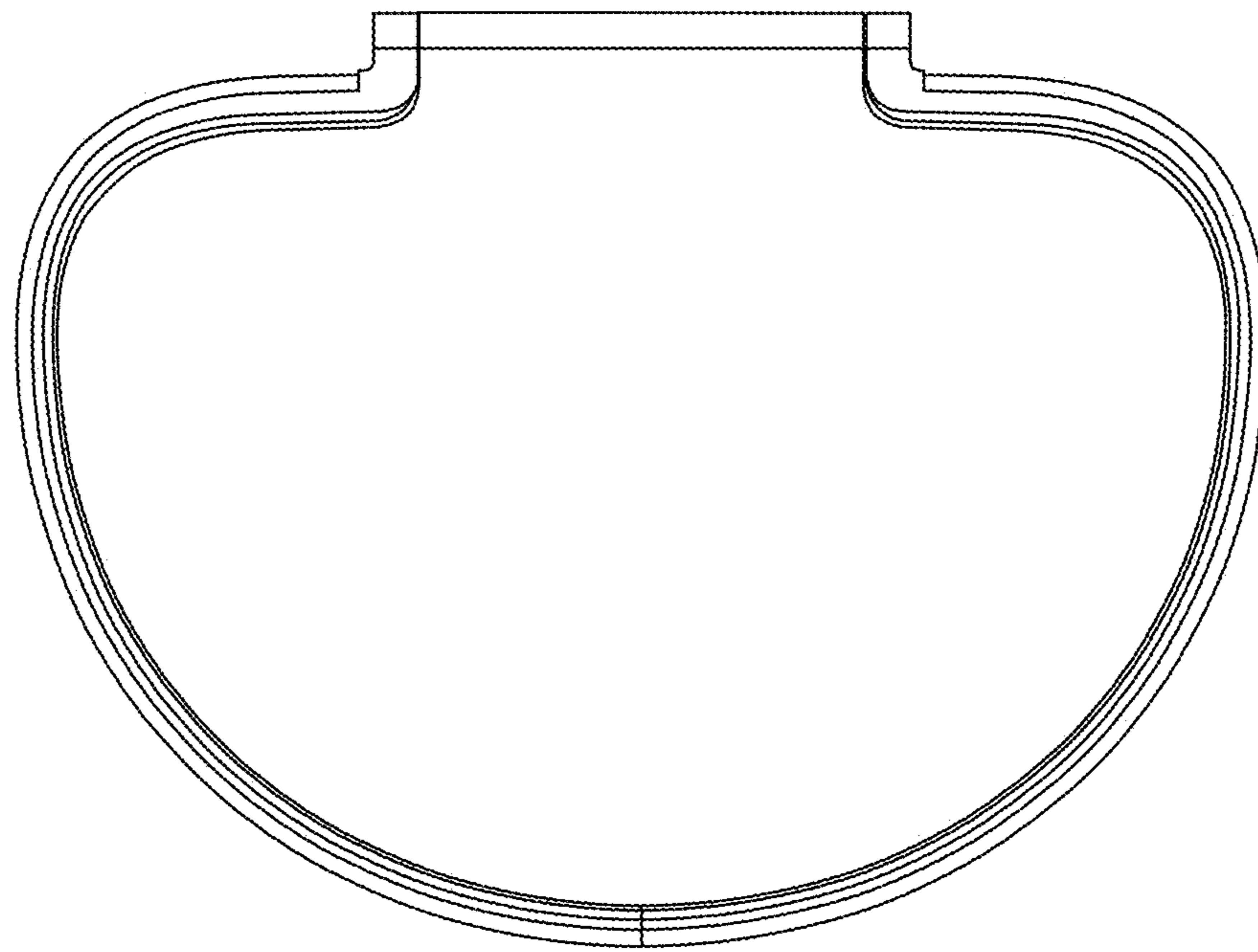


FIG. 2

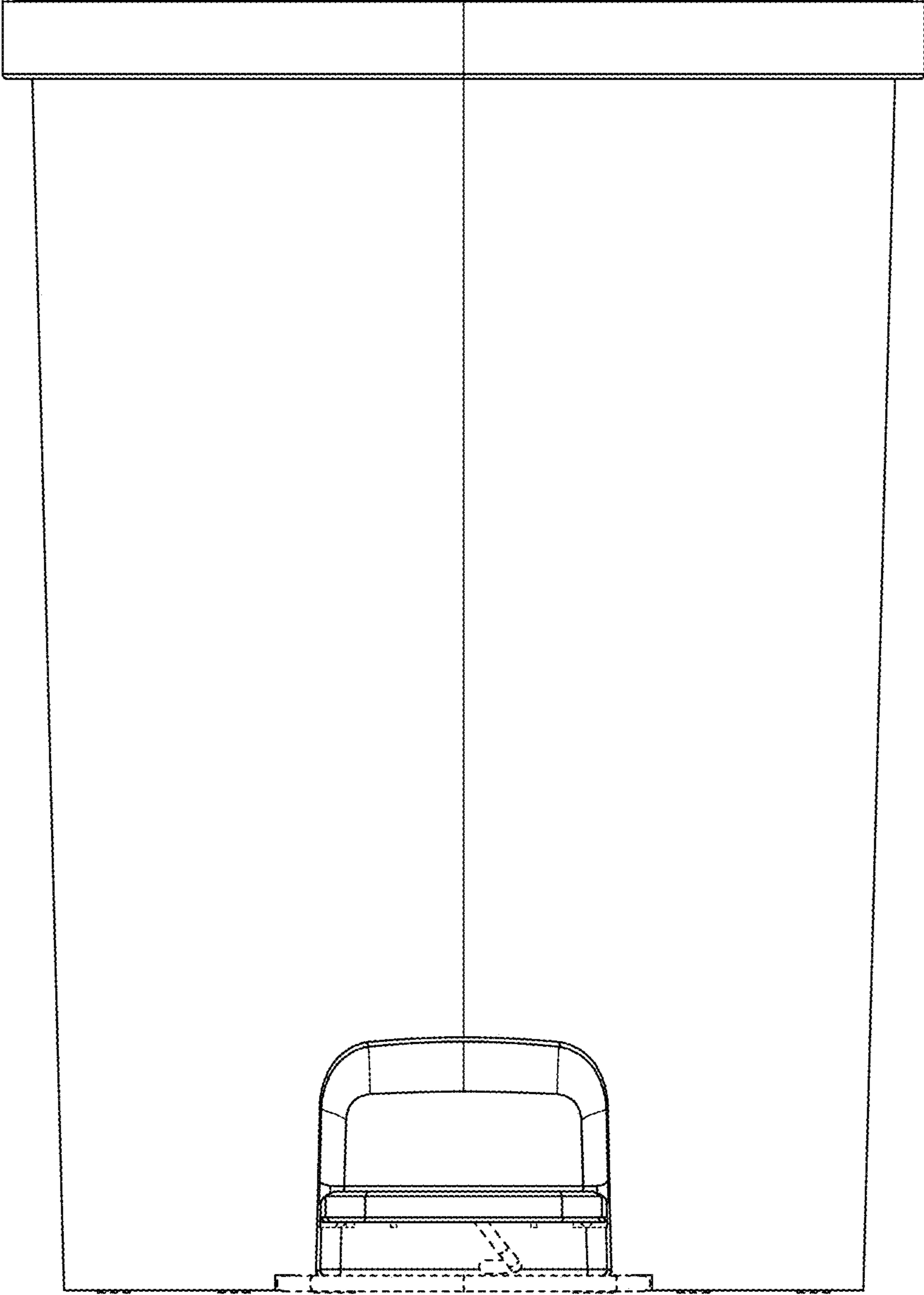


FIG. 3

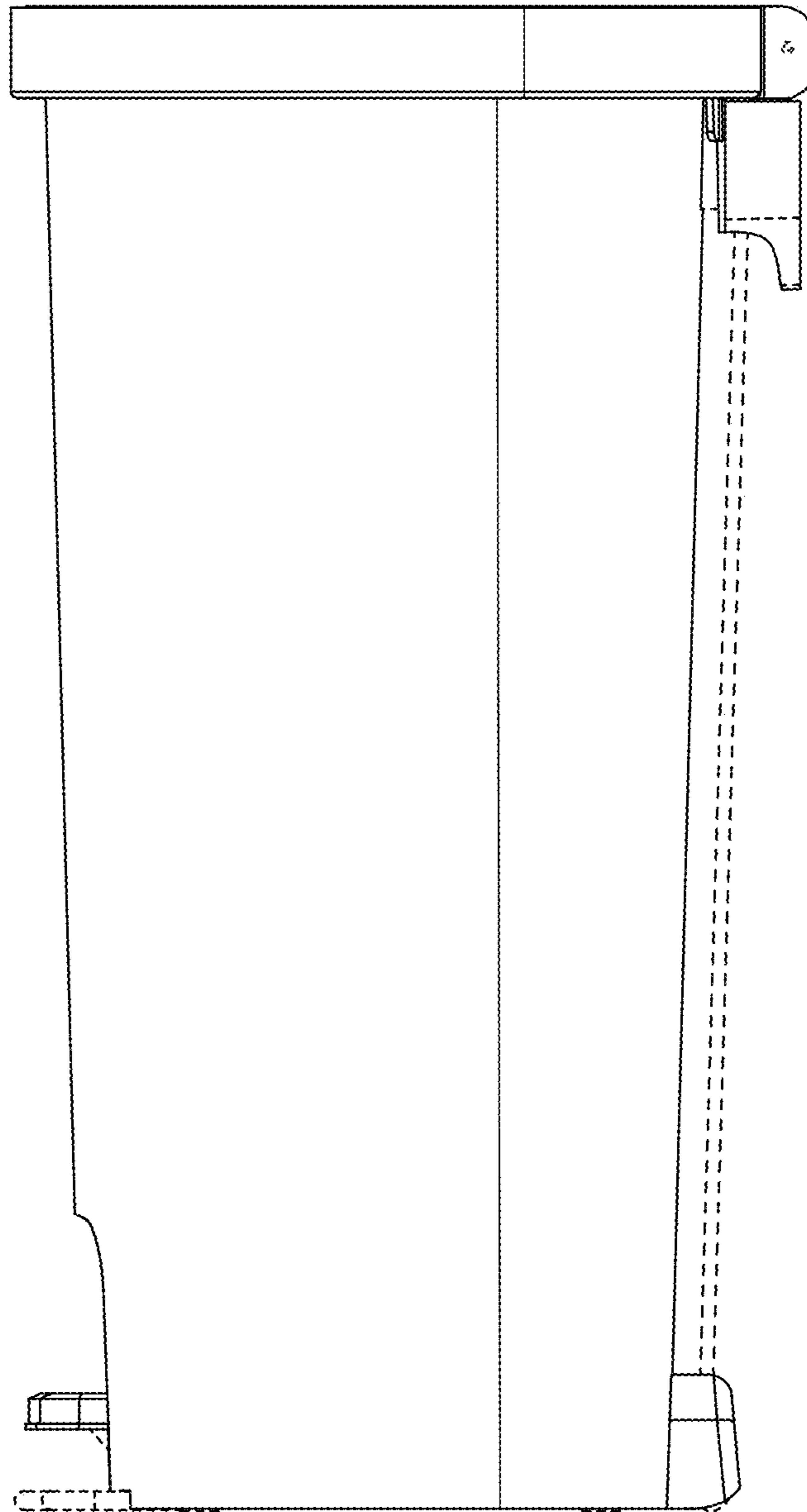


FIG. 4

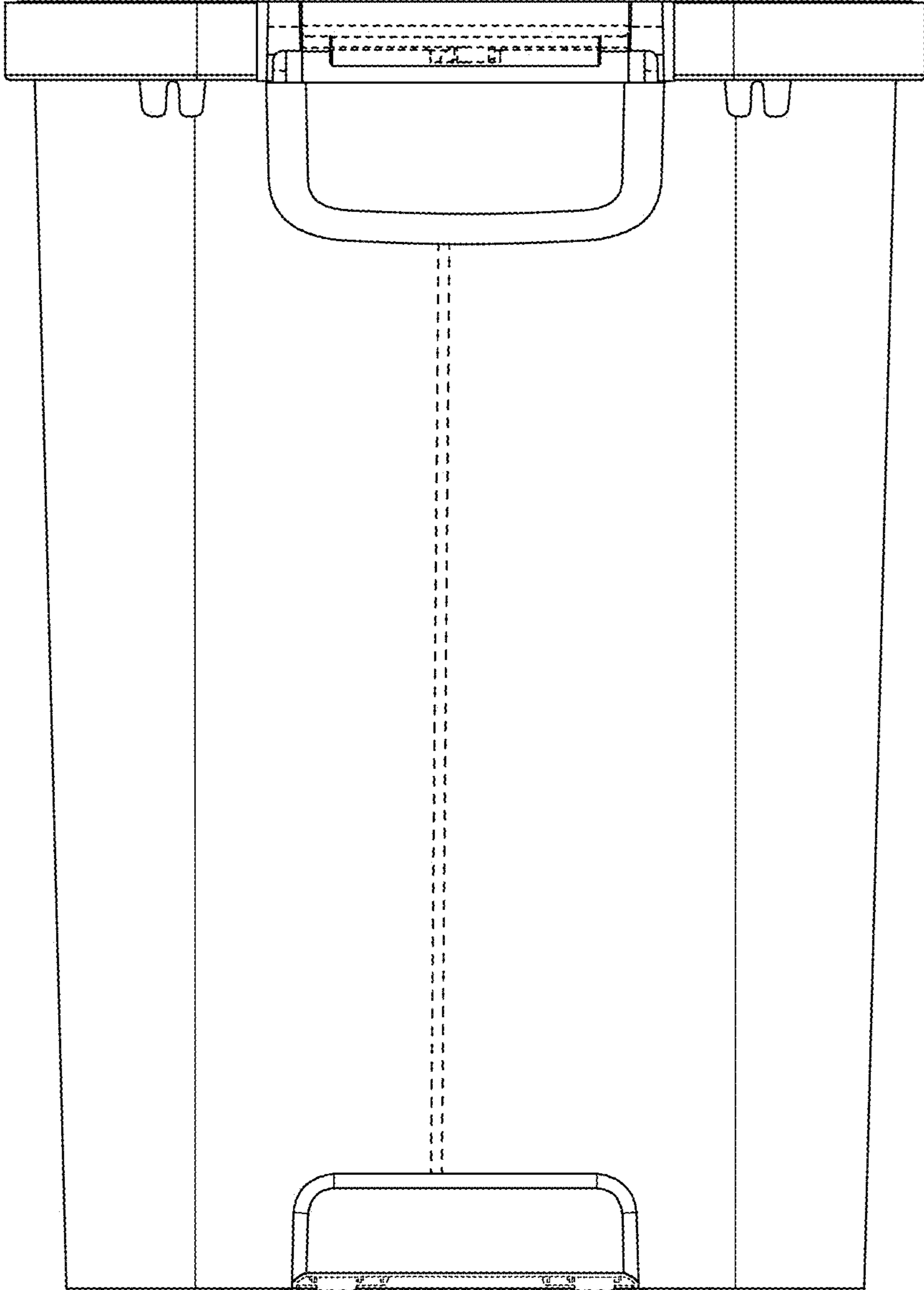


FIG. 5

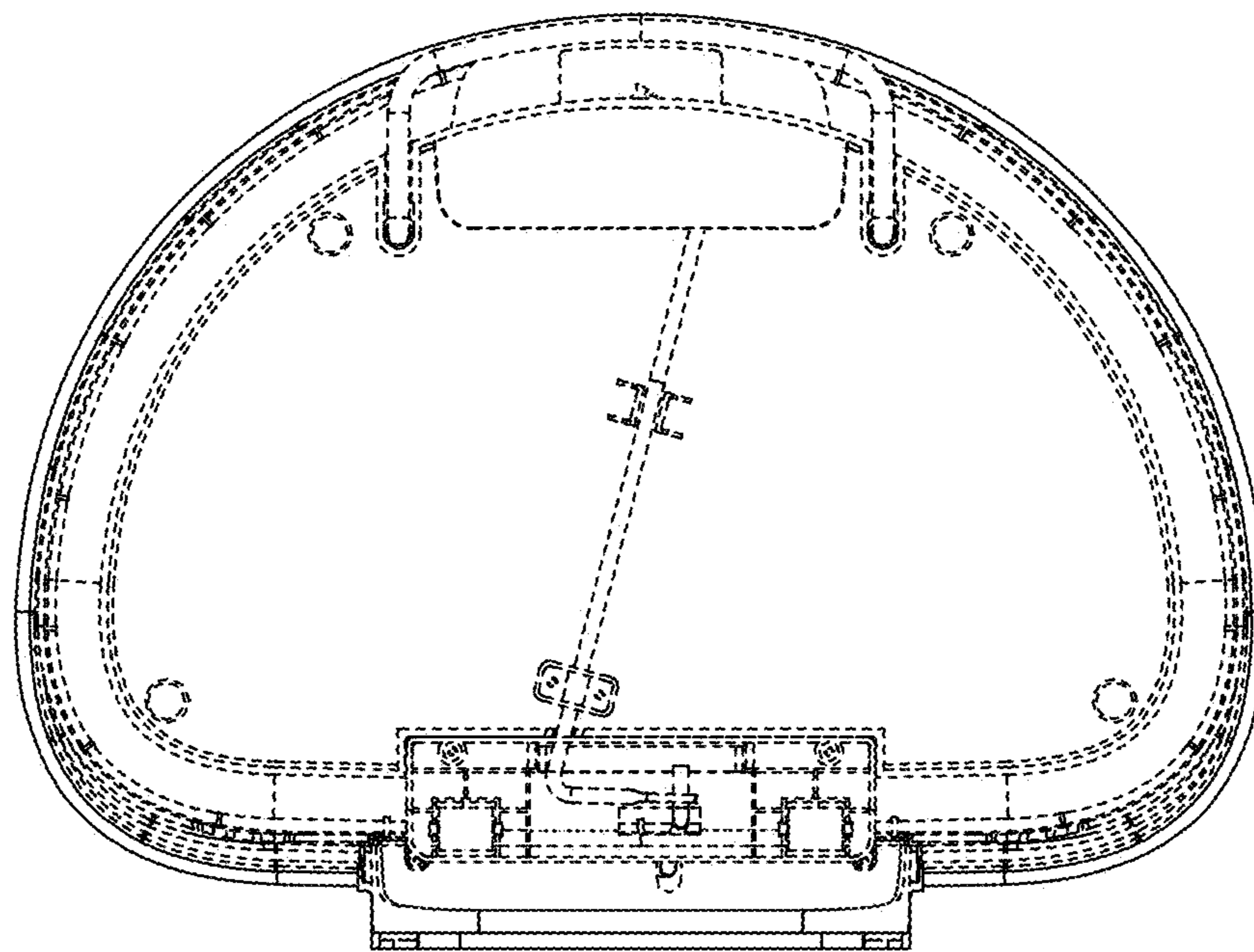


FIG. 6



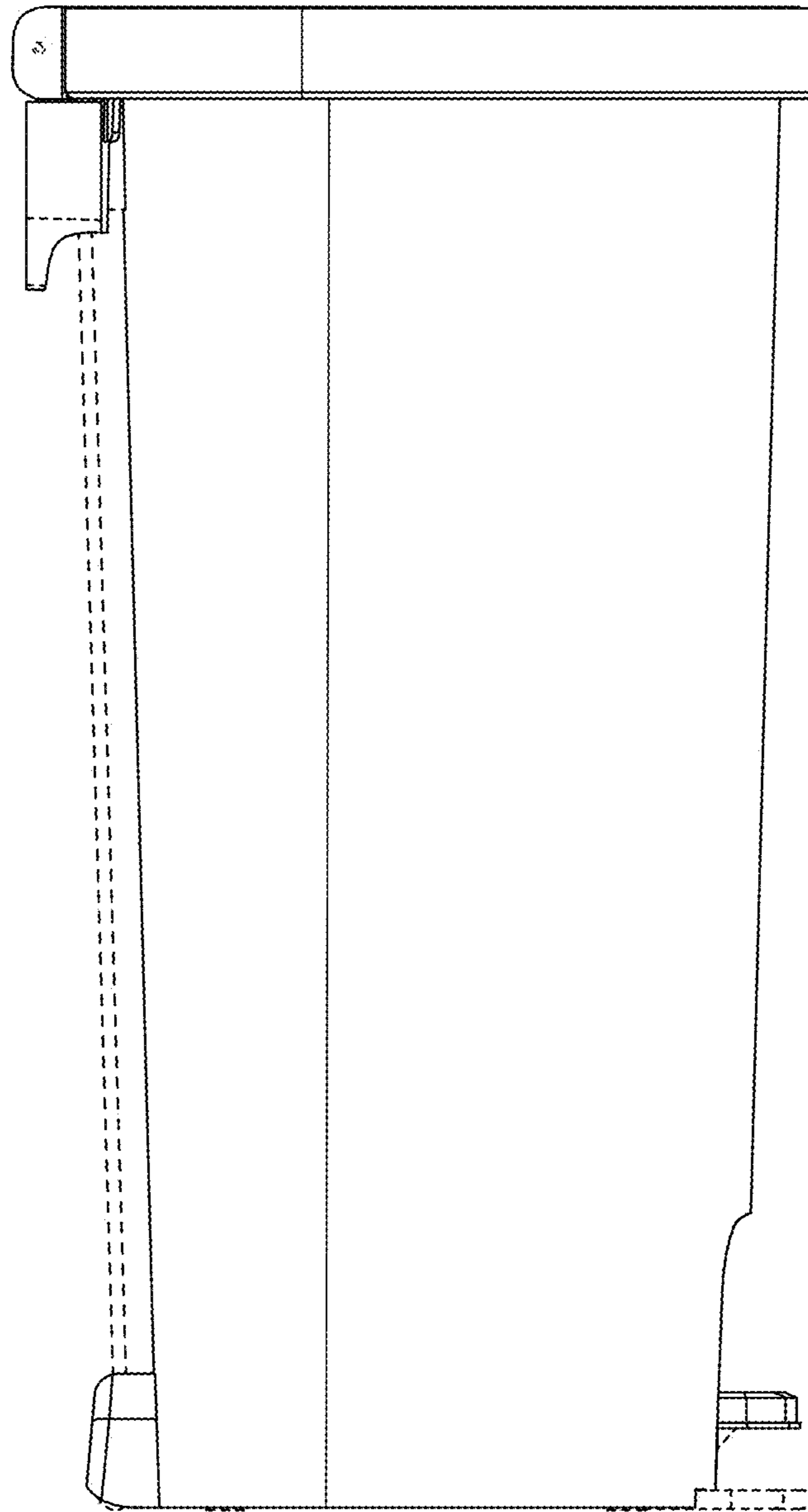


FIG. 7