



US00D982272S

(12) **United States Design Patent**  
**Ding**

(10) **Patent No.:** **US D982,272 S**

(45) **Date of Patent:** **\*\* Mar. 28, 2023**

(54) **CUP WASHER DRAIN TRAY**

(71) Applicant: **Guilin Ding**, Jiangxi (CN)

(72) Inventor: **Guilin Ding**, Jiangxi (CN)

(\*\*) Term: **15 Years**

(21) Appl. No.: **29/835,857**

(22) Filed: **Apr. 22, 2022**

(51) **LOC (14) Cl.** ..... **07-05**

(52) **U.S. Cl.**  
USPC ..... **D32/56**

(58) **Field of Classification Search**  
USPC ..... D32/585, 276, 3; D6/510, 525;  
D30/133; 211/41.5, 41.4, 41.3, 41.8;  
312/311, 333, 334.4; D7/354, 629  
CPC .. A47L 15/505; A47L 15/503; A47L 15/0013;  
A47L 19/02; A47L 19/04; A47J 47/20  
See application file for complete search history.

(56) **References Cited**

**U.S. PATENT DOCUMENTS**

- D119,613 S \* 3/1940 Etten ..... D32/56
- D143,516 S \* 1/1946 Whitlock ..... D32/56
- D174,298 S \* 3/1955 Timmons ..... 4/520

- D205,833 S \* 9/1966 Gardner ..... D32/56
- D288,375 S \* 2/1987 Okami ..... D7/552.2
- D292,134 S \* 9/1987 McDaniel, Sr. .... D32/56
- D344,828 S \* 3/1994 Adams ..... D32/56
- D507,454 S 7/2005 Leibowitz
- D532,167 S 11/2006 Jung et al.
- D595,466 S \* 6/2009 Sofy ..... D32/56
- D732,782 S \* 6/2015 Huang ..... D32/56
- D771,970 S 11/2016 Mirth et al.
- D804,262 S 12/2017 Reed et al.
- D872,405 S \* 1/2020 Kokubo ..... D32/56
- D882,900 S \* 4/2020 Hartley ..... D32/56

\* cited by examiner

*Primary Examiner* — Austin Murphy

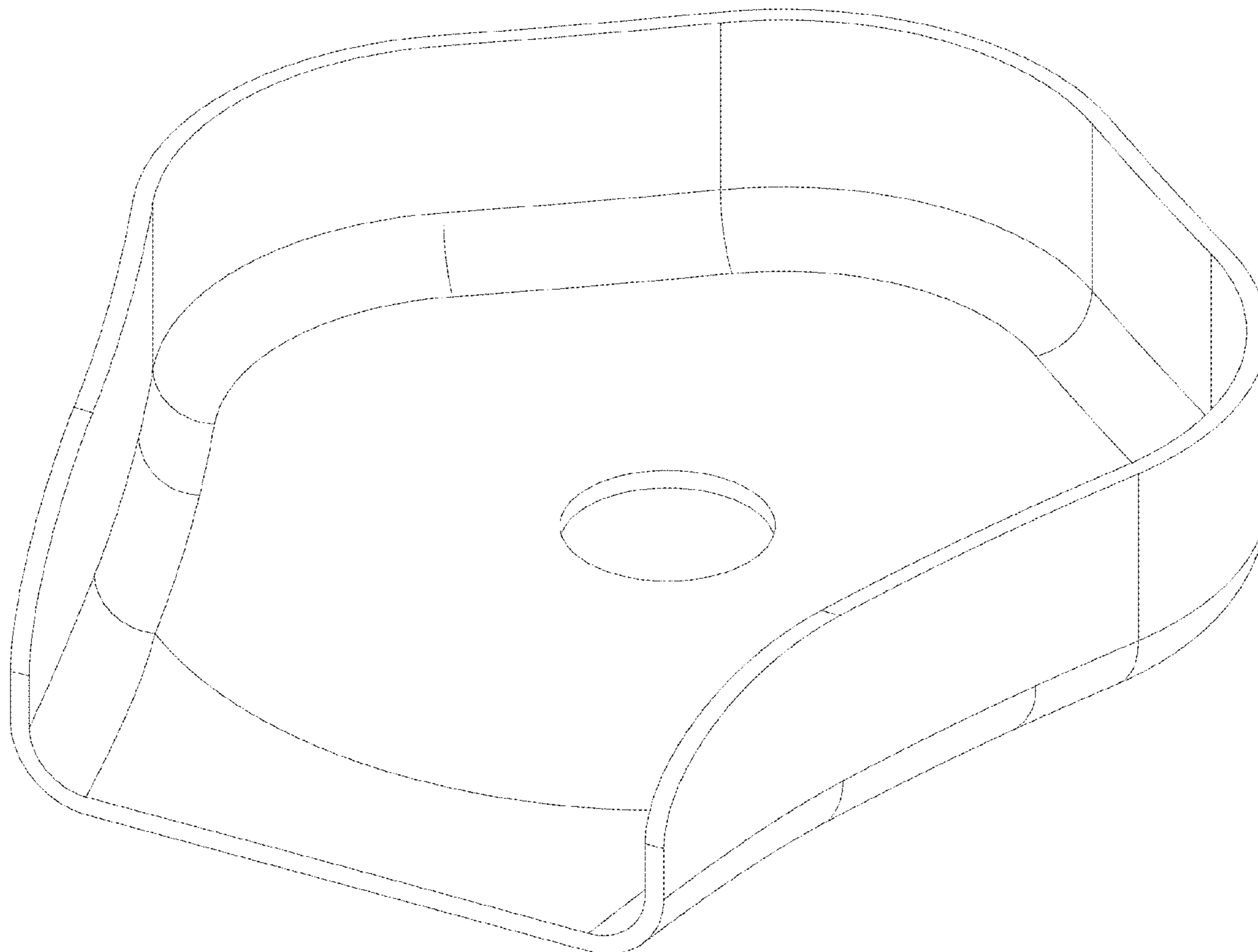
(57) **CLAIM**

The ornamental design for a cup washer drain tray, as shown.

**DESCRIPTION**

FIG. 1 is a front elevational view of a cup washer drain tray showing my new design;  
 FIG. 2 is a rear elevational view thereof;  
 FIG. 3 is a left side view thereof;  
 FIG. 4 is a right side view thereof;  
 FIG. 5 is a top plan view thereof;  
 FIG. 6 is a bottom plan view thereof; and,  
 FIG. 7 is a perspective view thereof.

**1 Claim, 7 Drawing Sheets**



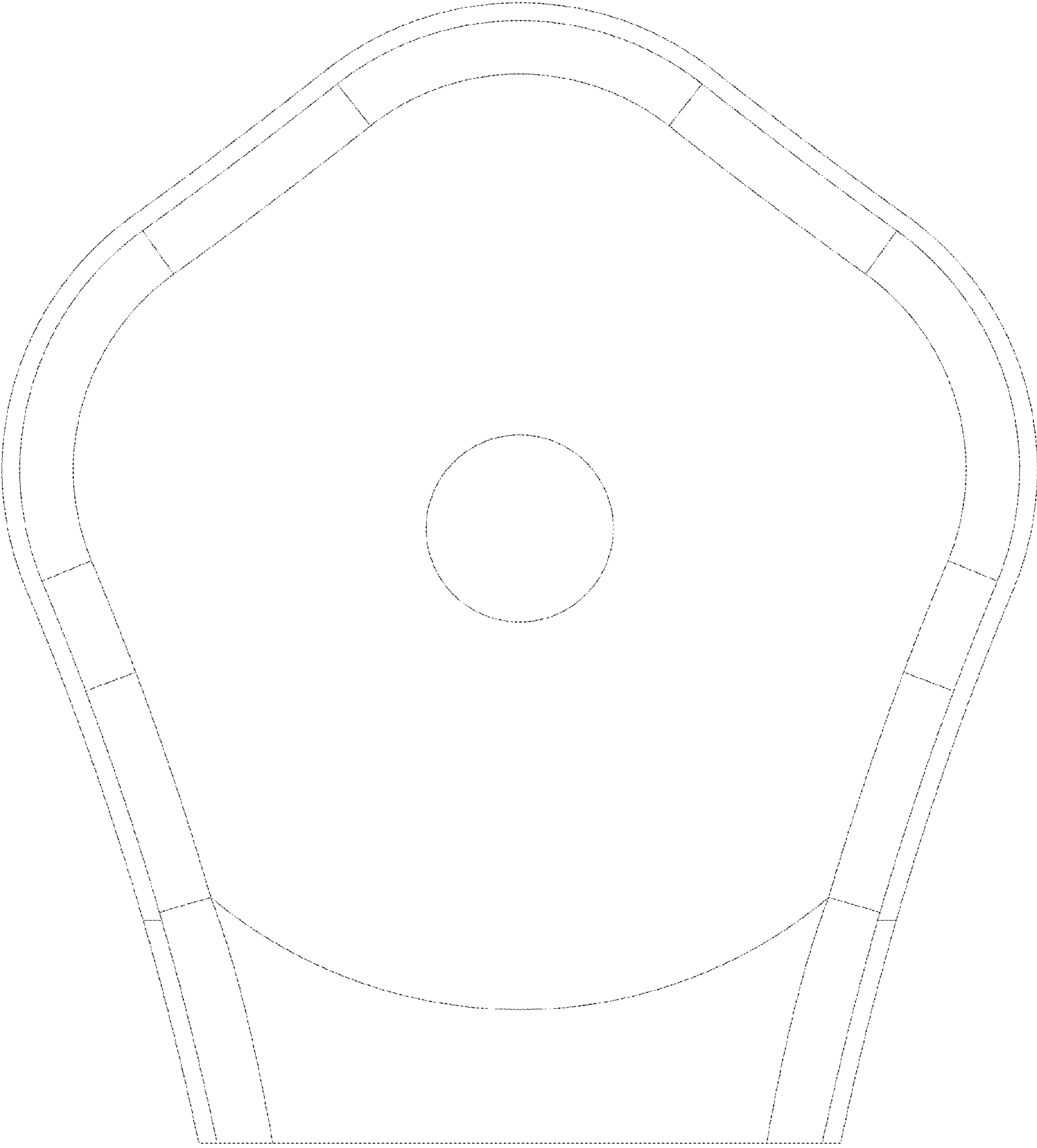


FIG.1

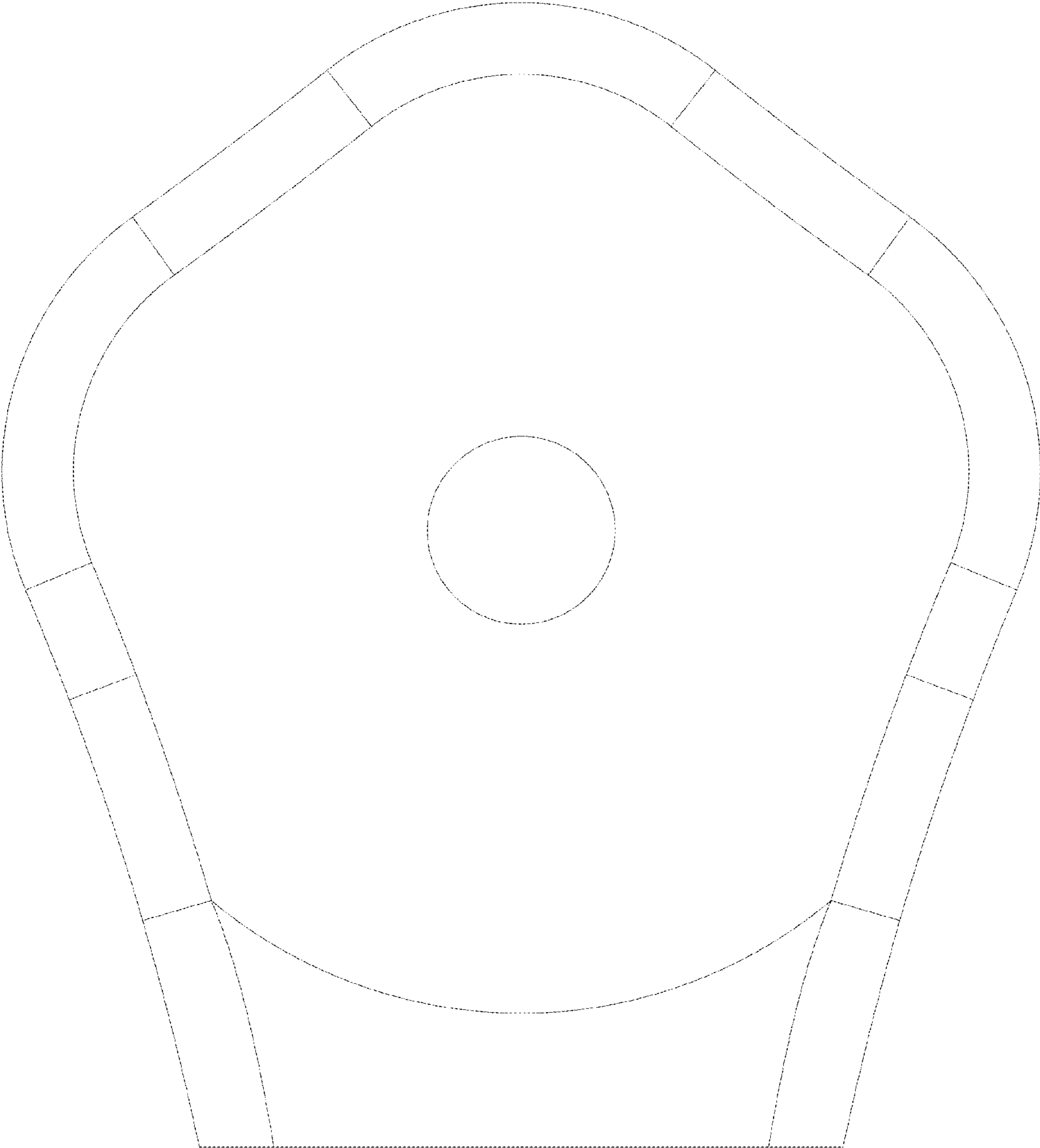


FIG. 2

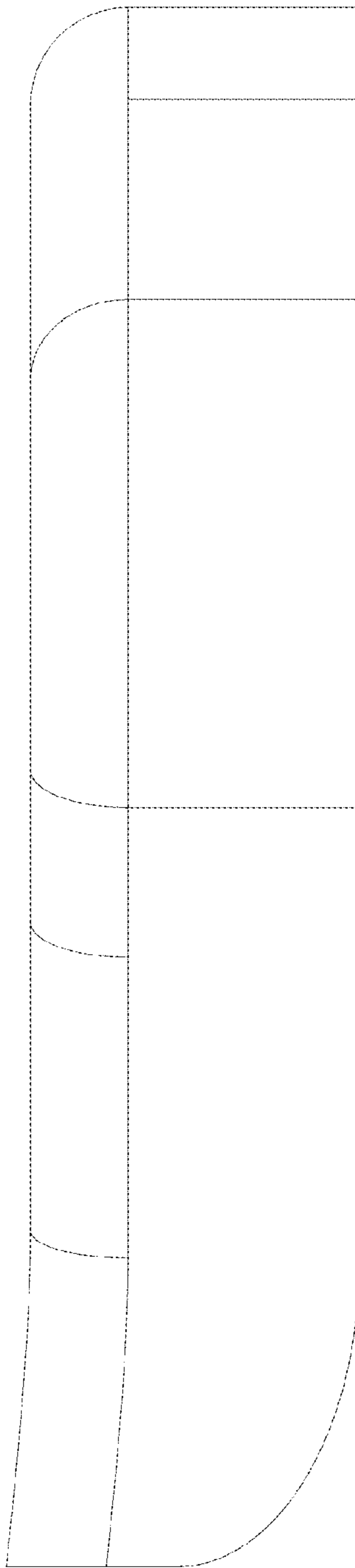


FIG. 3

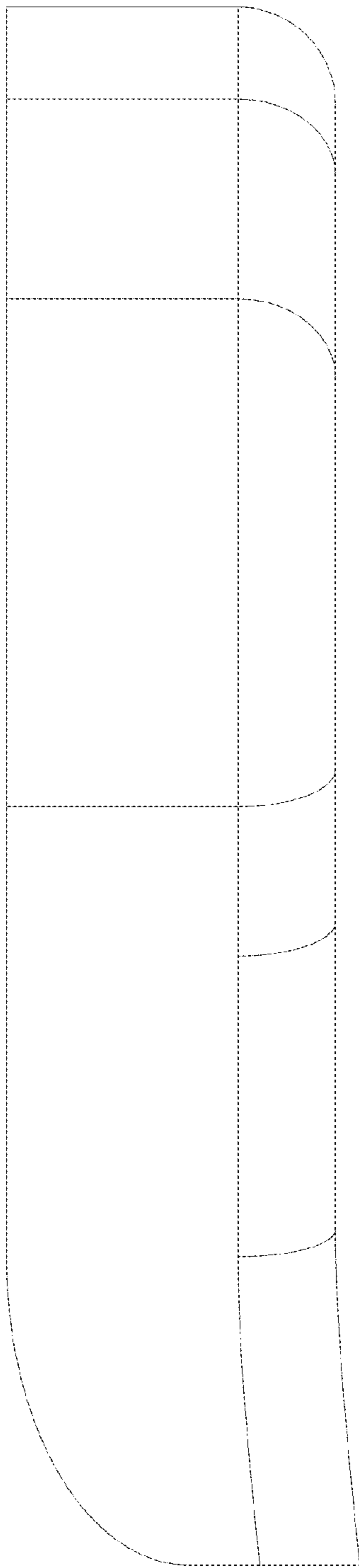


FIG. 4

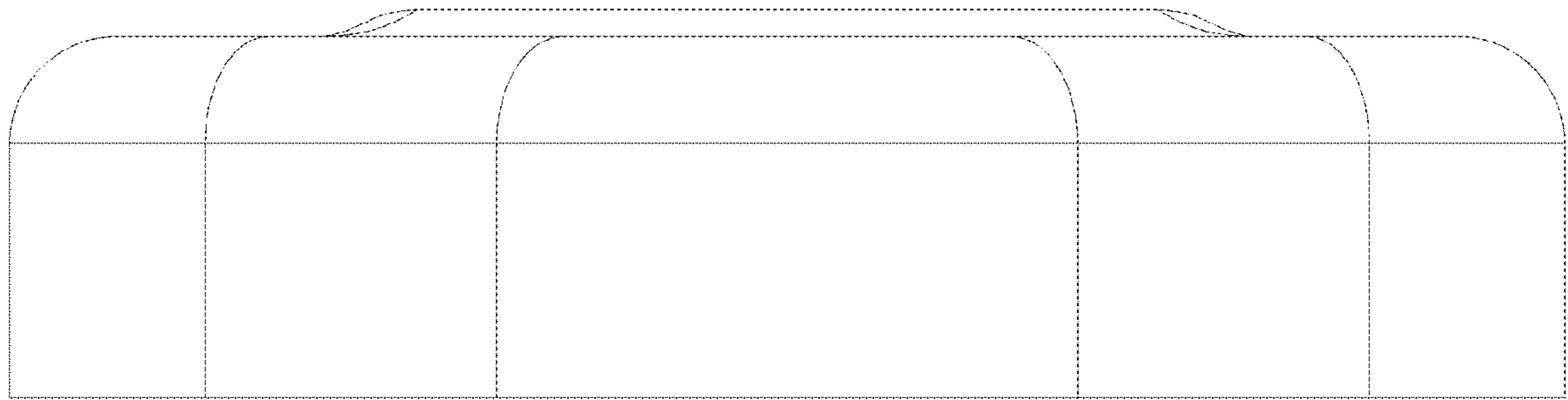


FIG.5

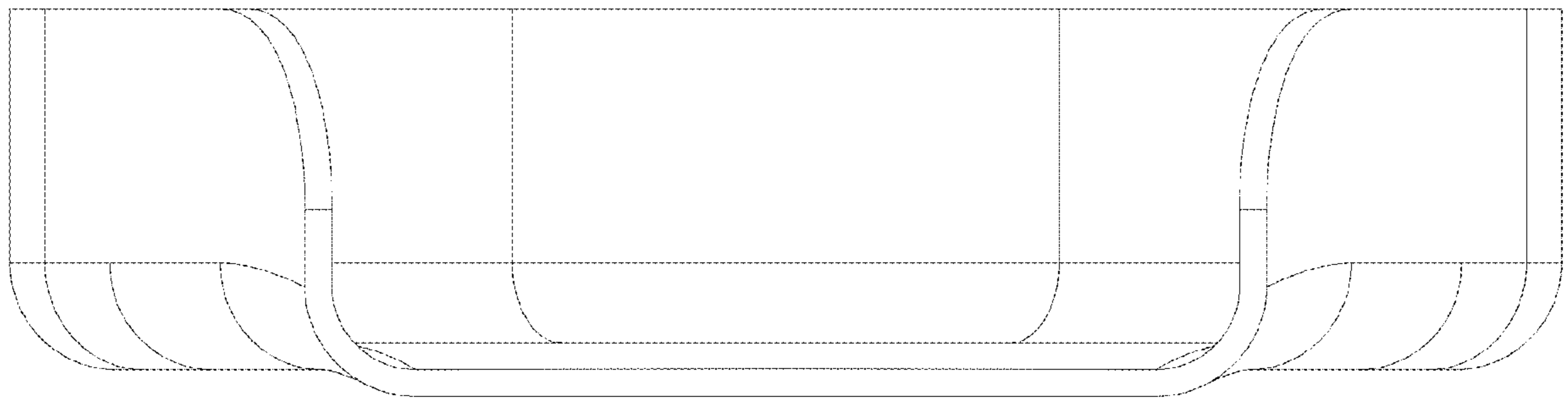


FIG. 6

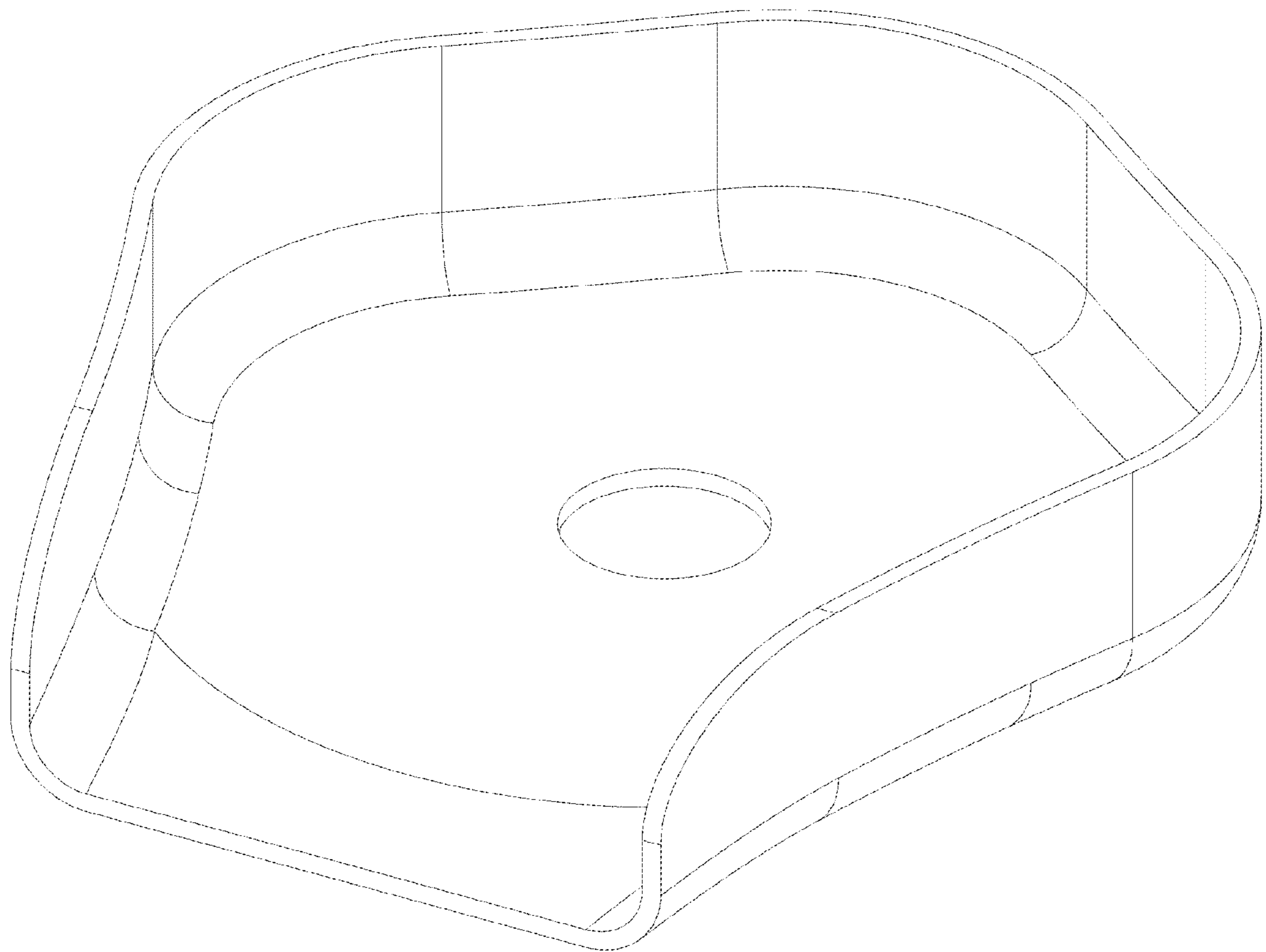


FIG. 7