



US00D982271S

(12) **United States Design Patent**
Williams et al.

(10) **Patent No.:** **US D982,271 S**
(45) **Date of Patent:** **** Mar. 28, 2023**

(54) **LAUNDRY BASKET**
(71) Applicants: **Albert Williams**, Los Angeles, CA
(US); **Ronald Haugabrooks**, Moreno
Valley, CA (US)
(72) Inventors: **Albert Williams**, Los Angeles, CA
(US); **Ronald Haugabrooks**, Moreno
Valley, CA (US)
(**) Term: **15 Years**

10,414,546 B2 * 9/2019 Hernandez B65D 21/0212
D874,768 S * 2/2020 Rodgers, Jr. D32/37
2005/0284867 A1 * 12/2005 Sander A45C 11/00
220/23.86
2008/0098773 A1 * 5/2008 Beeks D06F 95/002
68/235 R
2011/0095496 A1 * 4/2011 Kassab Arabo B62B 1/006
280/47.26
2011/0304113 A1 * 12/2011 Clover B62B 3/007
280/47.34
2013/0043258 A1 * 2/2013 Cerri, III D06F 95/002
220/660

(Continued)

(21) Appl. No.: **29/832,444**

(22) Filed: **Mar. 28, 2022**

(51) **LOC (14) Cl.** **09-04**

(52) **U.S. Cl.**
USPC **D32/37**

(58) **Field of Classification Search**
USPC D3/304, 306, 309, 312; D32/35-37
CPC D06F 95/002; D06F 95/00; D06F 95/008
See application file for complete search history.

(56) **References Cited**

U.S. PATENT DOCUMENTS

D389,621 S * 1/1998 Short D32/37
D425,275 S * 5/2000 Delouvre D32/37
D440,020 S * 4/2001 Ronson D34/24
D477,145 S * 7/2003 Sofy D3/307
D533,327 S * 12/2006 McCaskill D34/17
7,207,460 B2 * 4/2007 Sander D06F 95/002
220/676
D544,159 S * 6/2007 McCoy B62B 1/006
D32/37
D546,511 S * 7/2007 Luster D32/37
D563,620 S * 3/2008 Dong D34/19
D584,020 S * 12/2008 McNamara D32/37
7,494,136 B2 * 2/2009 Alves B62B 3/1416
280/655
7,594,667 B2 * 9/2009 Overland A45C 13/262
16/110.1
D831,963 S * 10/2018 Hernandez D3/312
10,167,591 B1 * 1/2019 Rodgers, Jr. D06F 95/002

OTHER PUBLICATIONS

Amazon.com_ Red Grocery Cart Shopping Laundry Basket on
Wheels [https://www.amazon.com/dbest-products-Multi-Purpose-
Cart-Red/dp/B00KXMB22K/ref=sr_1_49_sspa](https://www.amazon.com/dbest-products-Multi-Purpose-Cart-Red/dp/B00KXMB22K/ref=sr_1_49_sspa) (Year: 2015).*

Primary Examiner — Kevin K Rudzinski
Assistant Examiner — Richard E Yenchesky
(74) *Attorney, Agent, or Firm* — Barry Choobin; Patent
360

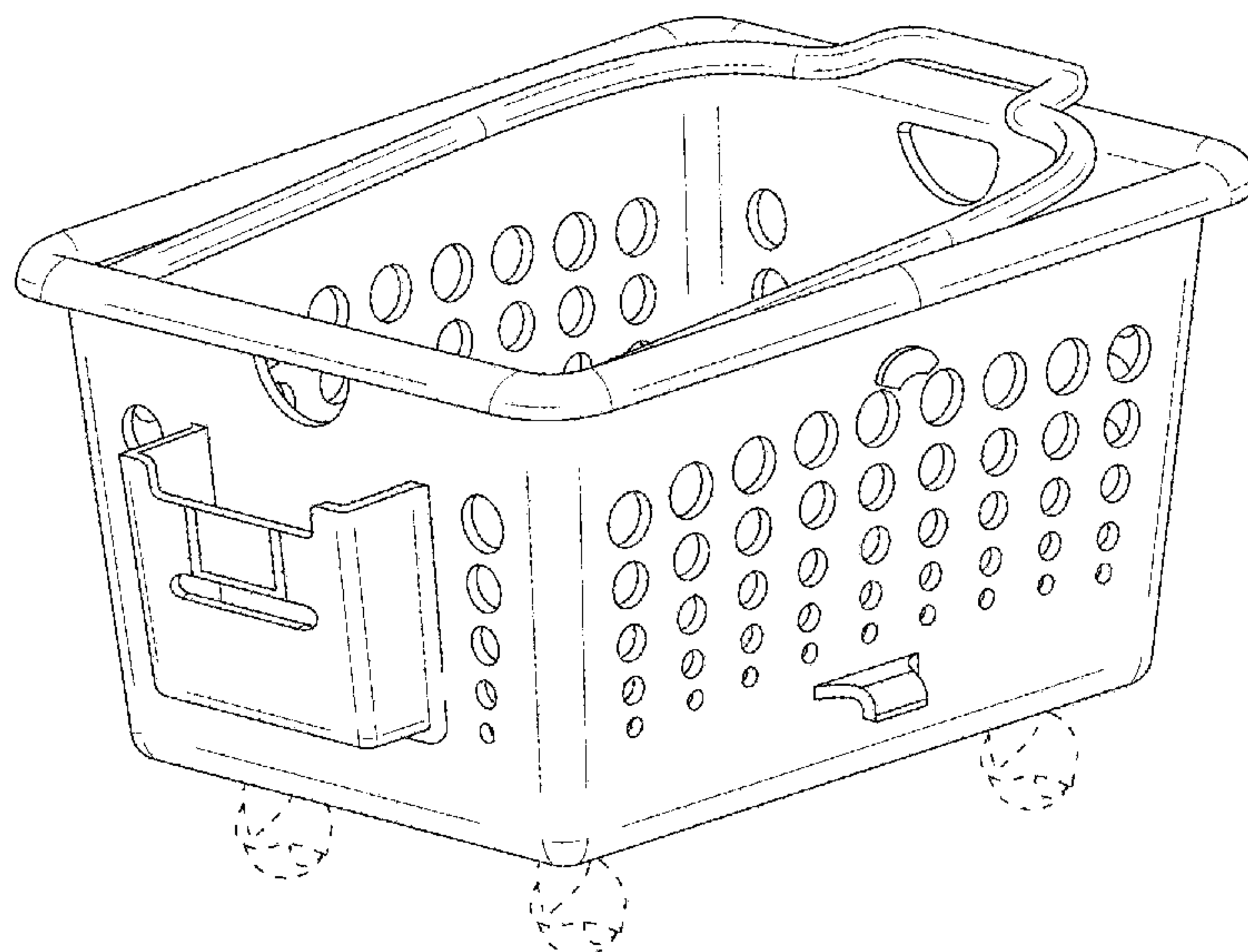
(57) **CLAIM**

The ornamental design for a laundry basket, as shown and
described.

DESCRIPTION

FIG. 1 is a perspective view of a laundry basket, showing my
new design;
FIG. 2 is a front view thereof;
FIG. 3 is a rear view thereof;
FIG. 4 is a right side view thereof;
FIG. 5 is a left side view thereof;
FIG. 6 is a top view thereof; and,
FIG. 7 is a bottom view thereof.
The broken lines depict portions of the article that form no
part of the claimed design.

1 Claim, 4 Drawing Sheets



(56)

References Cited

U.S. PATENT DOCUMENTS

2018/0297749 A1* 10/2018 Baiocchi B65D 25/24
2019/0047748 A1* 2/2019 Hernandez B65D 25/2888
2021/0253302 A1* 8/2021 Guindi B65D 21/0215

* cited by examiner

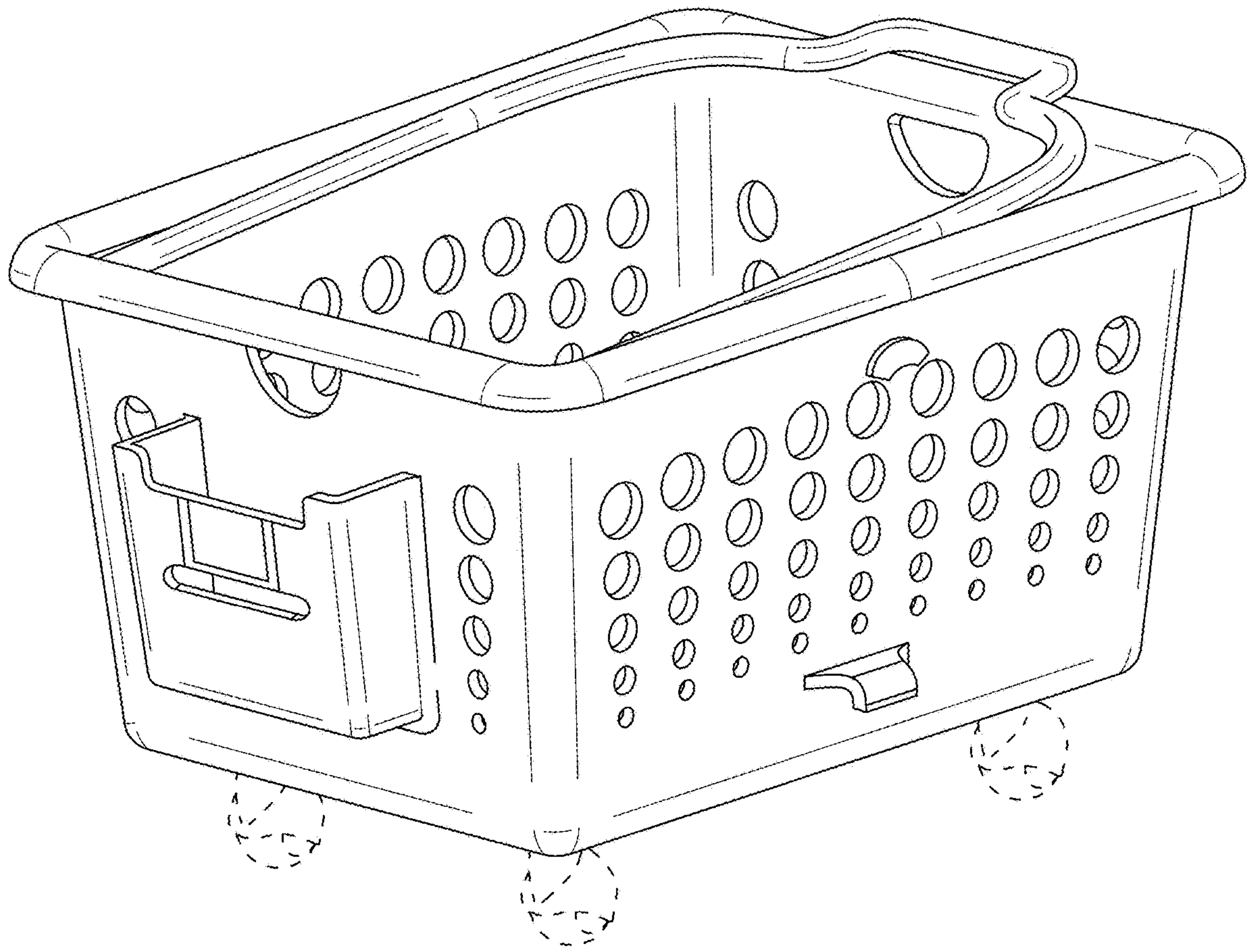


FIG. 1

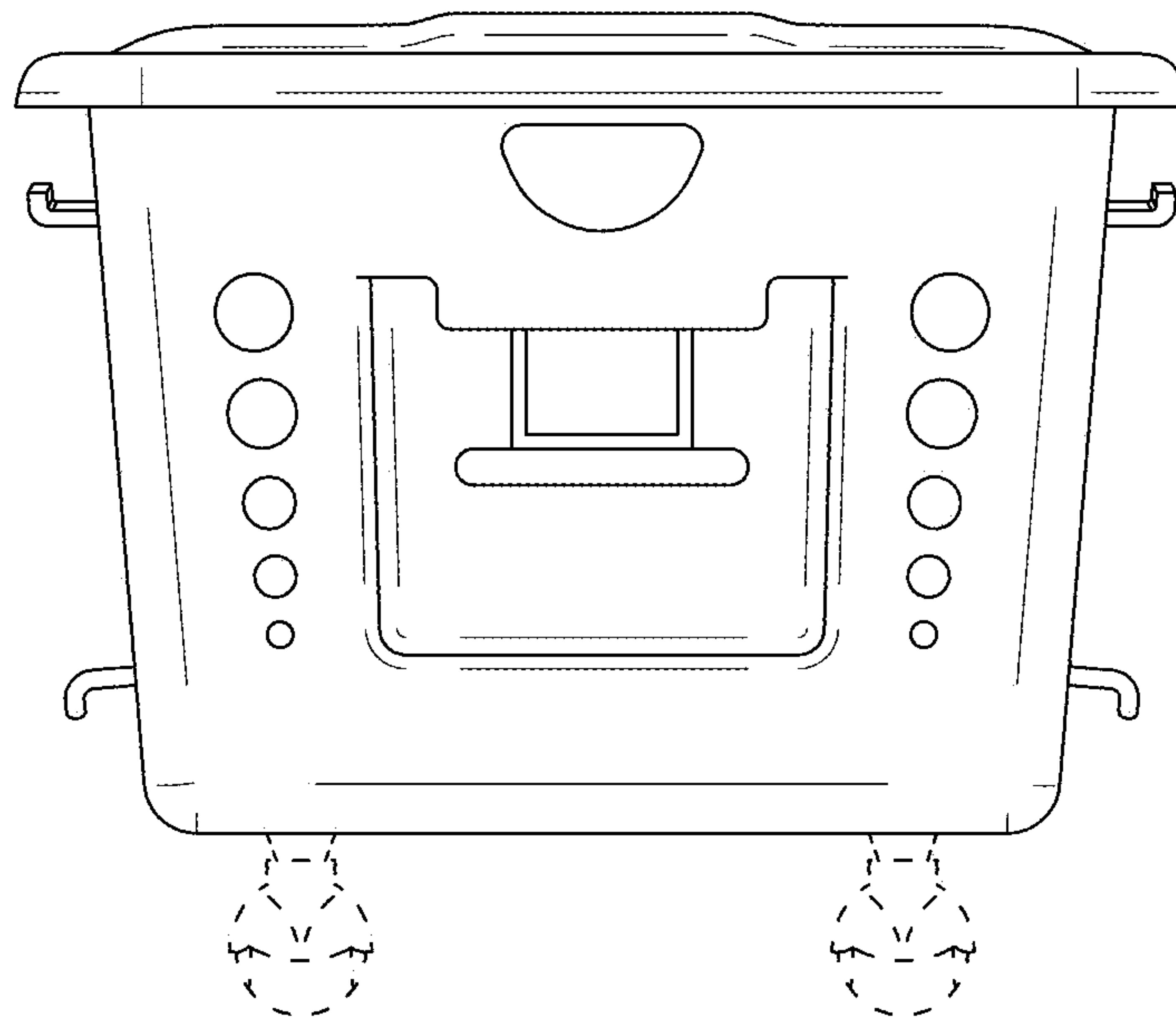


FIG. 2

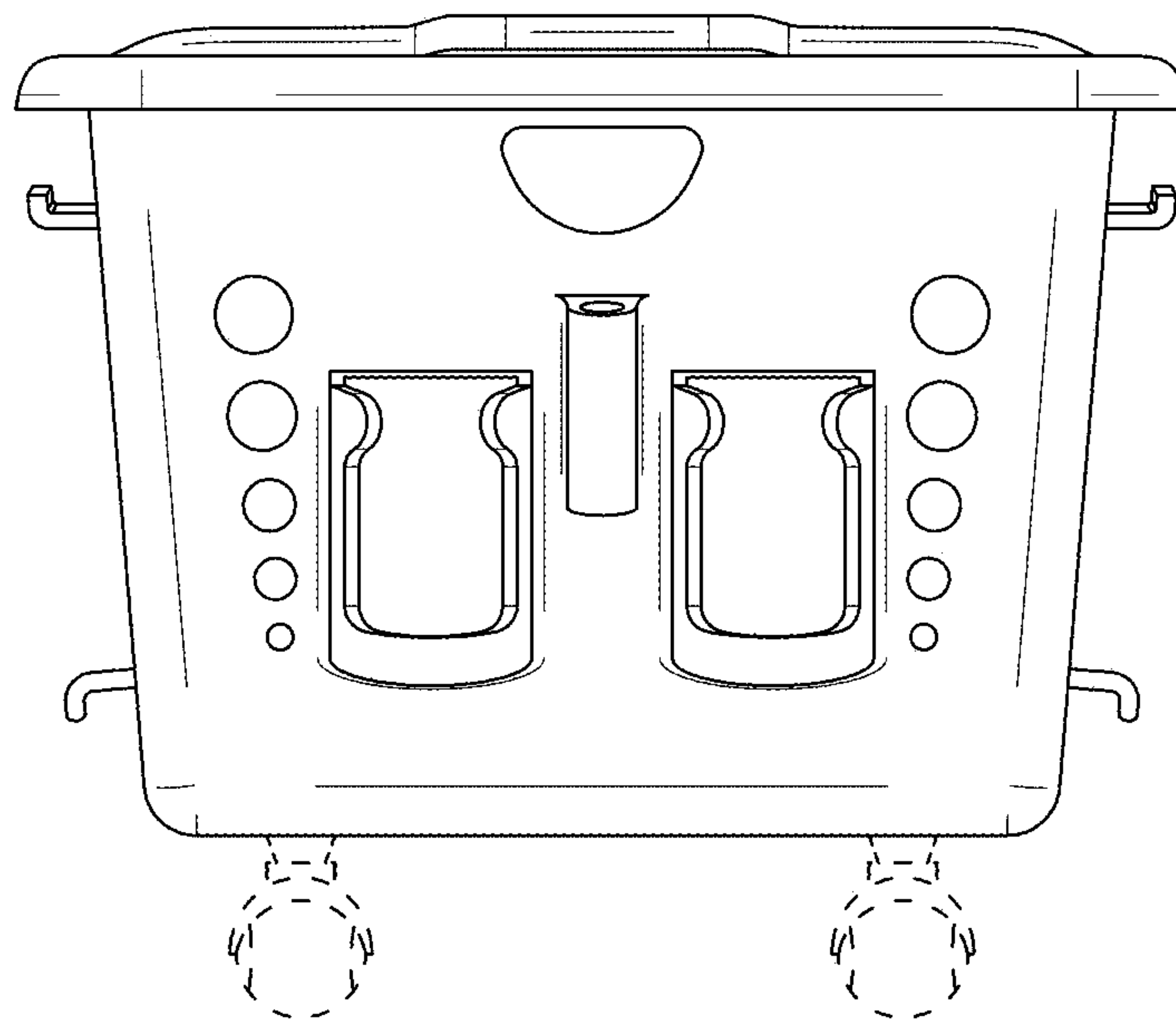


FIG. 3

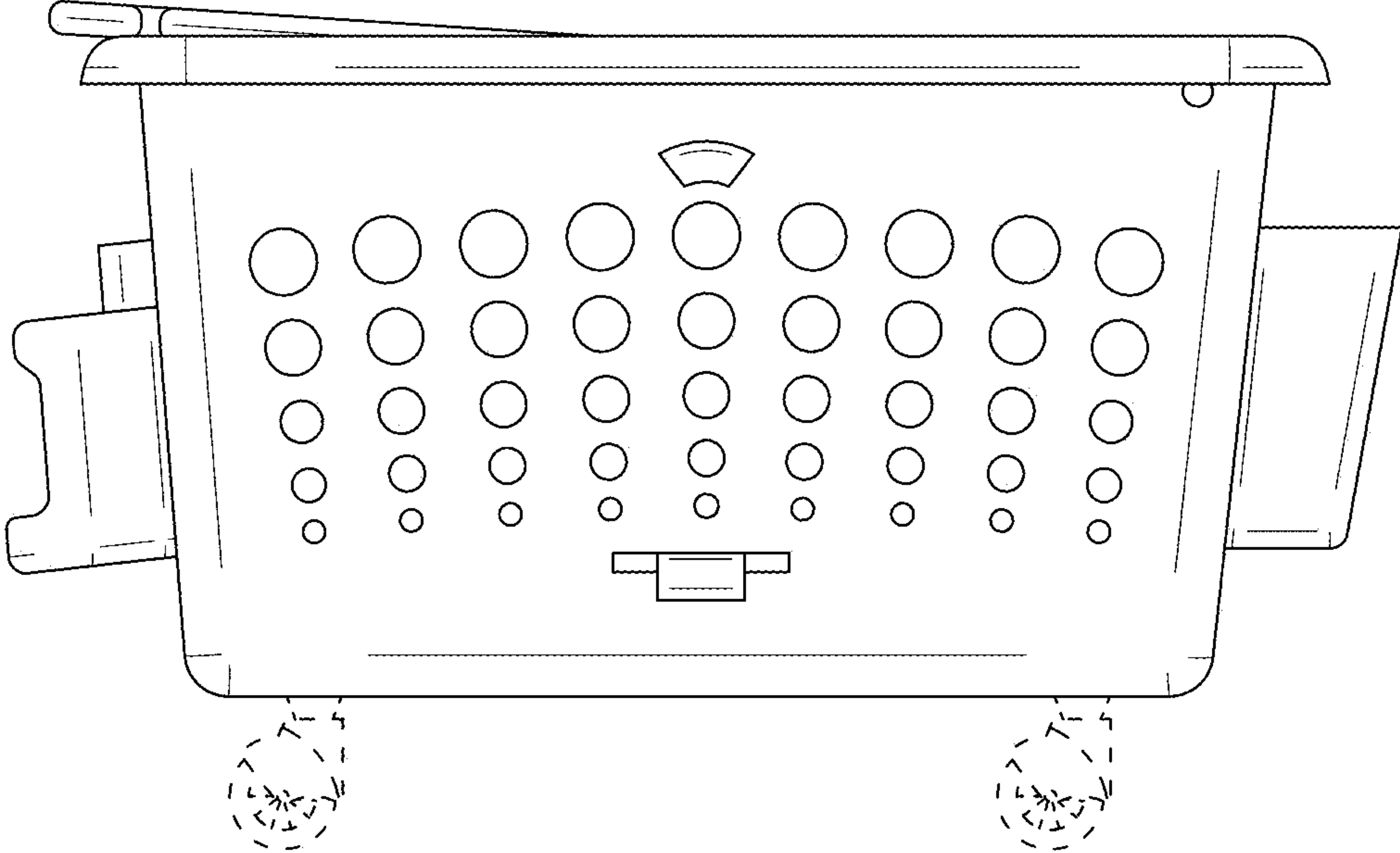


FIG. 4

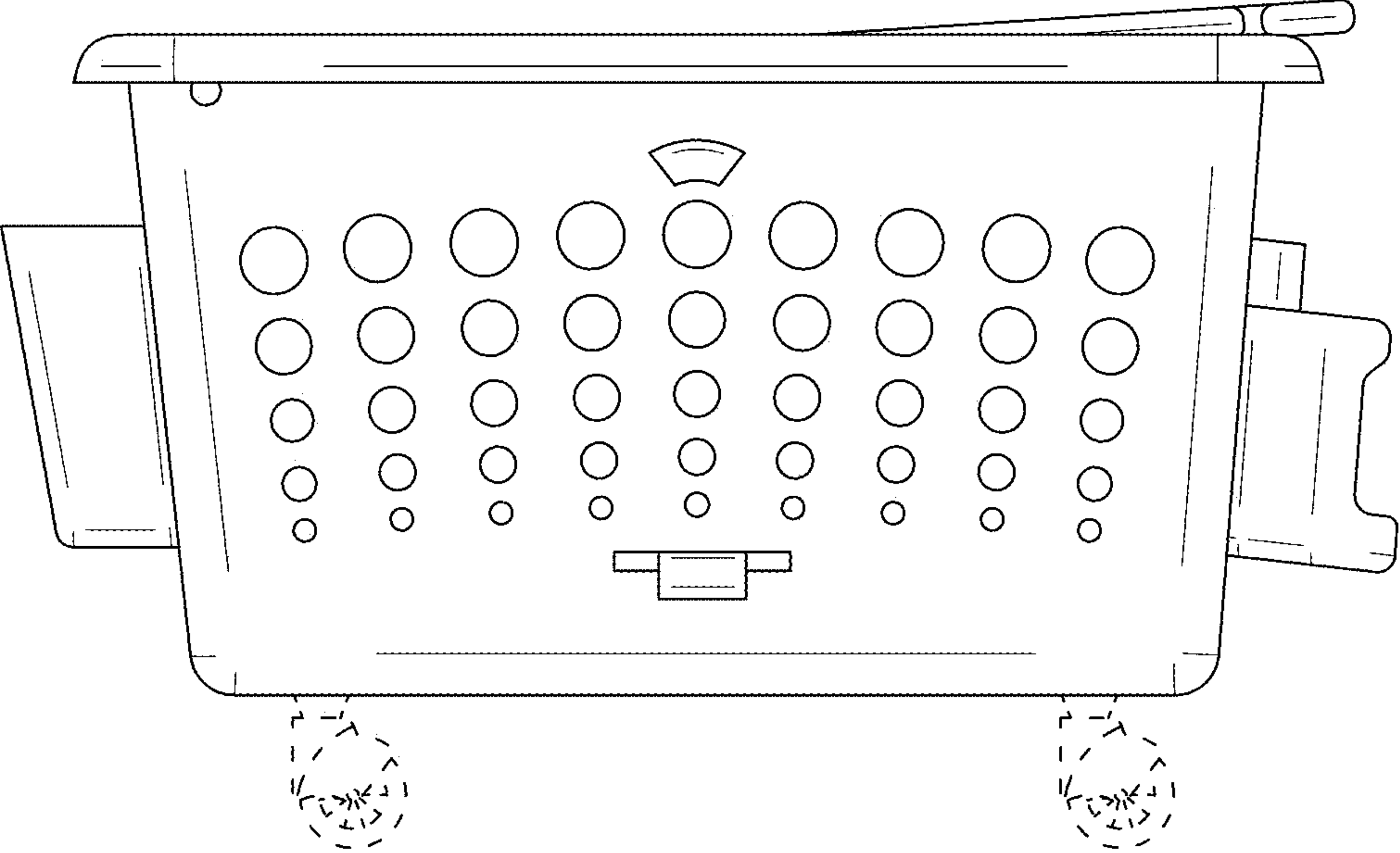


FIG. 5

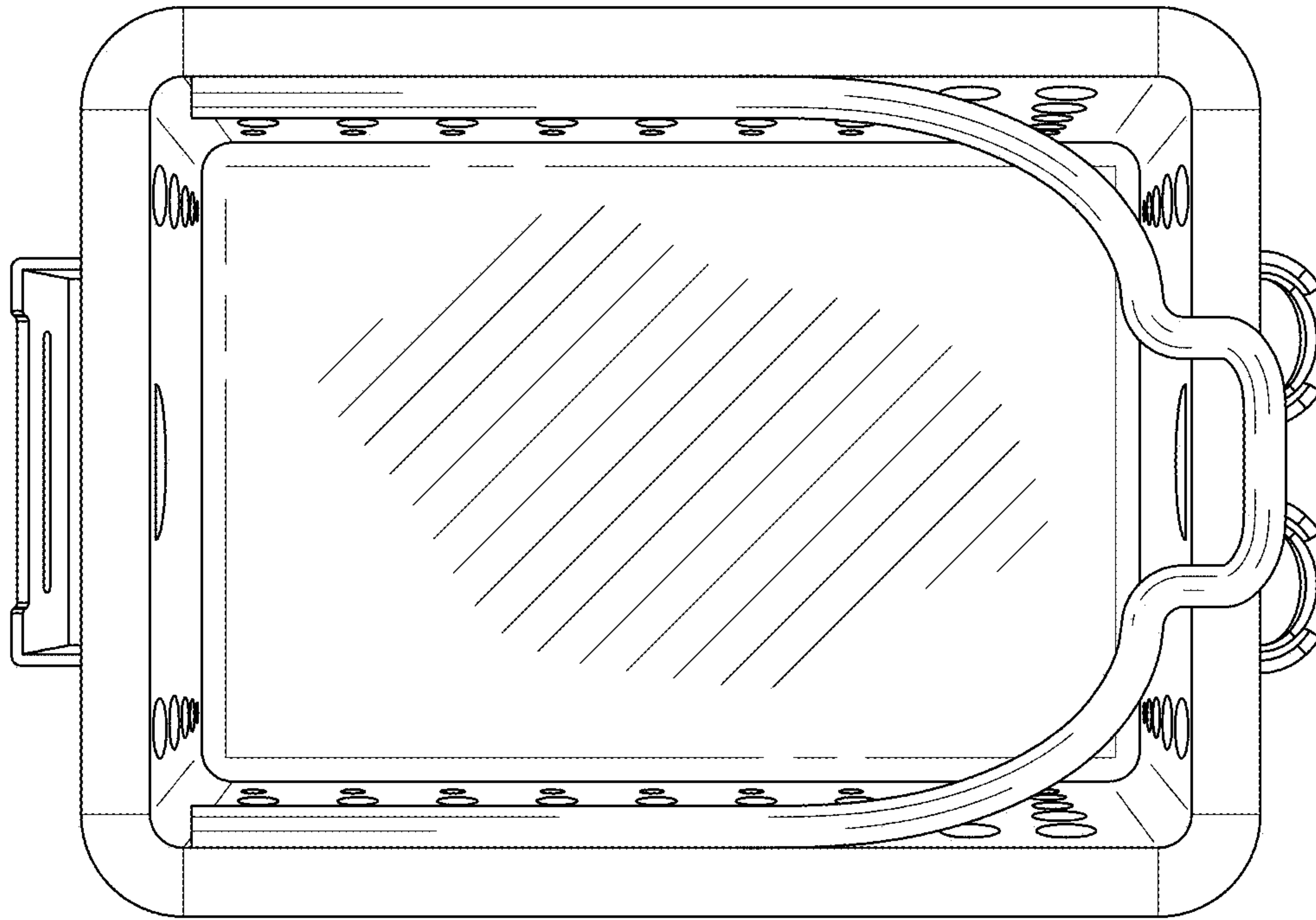


FIG. 6

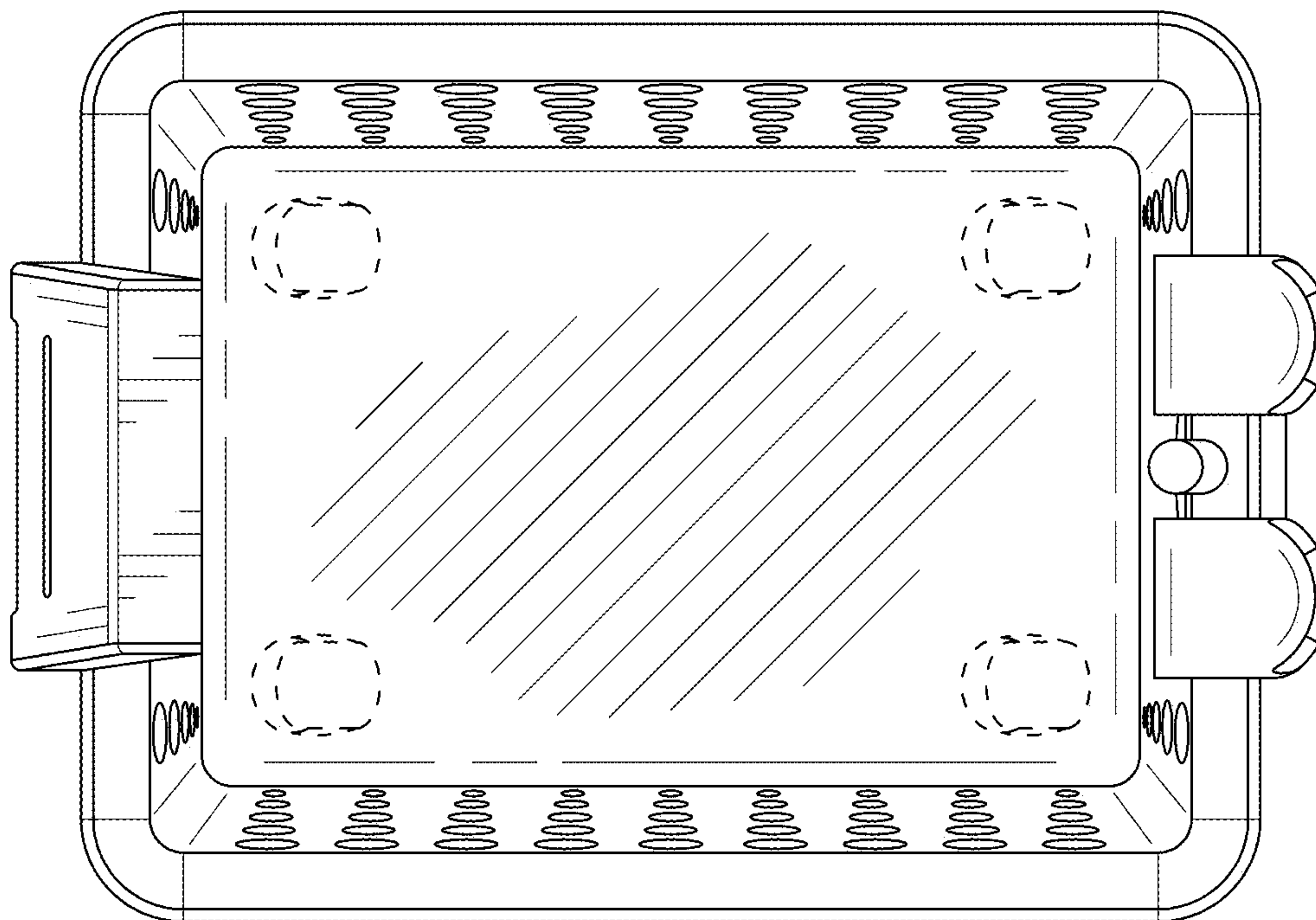


FIG. 7