



US00D982270S

(12) **United States Design Patent**  
**Zhou**

(10) **Patent No.:** **US D982,270 S**  
(45) **Date of Patent:** **\*\* Mar. 28, 2023**

(54) **CLEANING BRUSH**

(71) Applicant: **Qinbing Zhou**, Neijiang (CN)

(72) Inventor: **Qinbing Zhou**, Neijiang (CN)

(\*\*) Term: **15 Years**

(21) Appl. No.: **29/863,193**

(22) Filed: **Dec. 16, 2022**

(51) **LOC (14) Cl.** ..... **07-05**

(52) **U.S. Cl.**  
USPC ..... **D32/35**

(58) **Field of Classification Search**  
USPC ..... D4/100–113, 116–136; D6/534; D8/7,  
D8/18, 33, 34; D24/217; D28/12;  
D32/1, 25, 35, 52  
CPC ..... A46B 15/0036; A46B 2200/3046; A46B  
5/02; A46B 7/023; A46B 2200/3026;  
A46B 2200/30; B25F 1/02  
See application file for complete search history.

(56) **References Cited**

**U.S. PATENT DOCUMENTS**

5,066,157	A *	11/1991	Lift	.....	A46B 11/0072
					401/277
D568,050	S *	5/2008	Huang	.....	D4/120
D598,201	S *	8/2009	Benson et al.		
D598,655	S *	8/2009	Thorpe	.....	D4/127
D599,113	S *	9/2009	Jackel-Marken	.....	D4/114
8,240,938	B2 *	8/2012	Maxwell	.....	A46B 11/0041
					401/268
D669,274	S *	10/2012	Meurrens	.....	D32/35
D700,672	S *	3/2014	Riley	.....	D21/795
D707,396	S *	6/2014	Kim	.....	D28/54.1
8,832,899	B2 *	9/2014	Yang	.....	B08B 1/008
					D4/137
D833,151	S *	11/2018	Hwang	.....	D4/130
D835,221	S *	12/2018	Francis	.....	D21/795

D873,029	S *	1/2020	Yan	.....	D30/159
D898,378	S *	10/2020	Beck et al.		
D906,690	S *	1/2021	Beck	.....	D4/137
D976,590	*	1/2023	Thorn	.....	D4/116
2007/0009315	A1 *	1/2007	Wu	.....	G02B 27/0006
					401/118
2015/0150368	A1 *	6/2015	White	.....	B23K 37/08
					15/160
2019/0075921	A1 *	3/2019	Flynn	.....	A46B 11/0041
2020/0086472	A1 *	3/2020	Storey	.....	B23K 3/022
2020/0170400	A1 *	6/2020	Thorn	.....	A46B 15/0036

**OTHER PUBLICATIONS**

Amazon.com \_ 8 in 1 Cleaner Kit with Spray Upgrade Multifunctional Electronics Cleaning Kit Keyboard Cleaner Kit [https://www.amazon.com/Multifunctional-Electronics-Cleaning-Headphone-Earphones/dp/B0BK6677NL/ref=sr\\_1\\_98](https://www.amazon.com/Multifunctional-Electronics-Cleaning-Headphone-Earphones/dp/B0BK6677NL/ref=sr_1_98) (Year: 2022).\*

(Continued)

*Primary Examiner* — Kevin K Rudzinski  
*Assistant Examiner* — Richard E Yenchesky  
(74) *Attorney, Agent, or Firm* — Jeenam Park

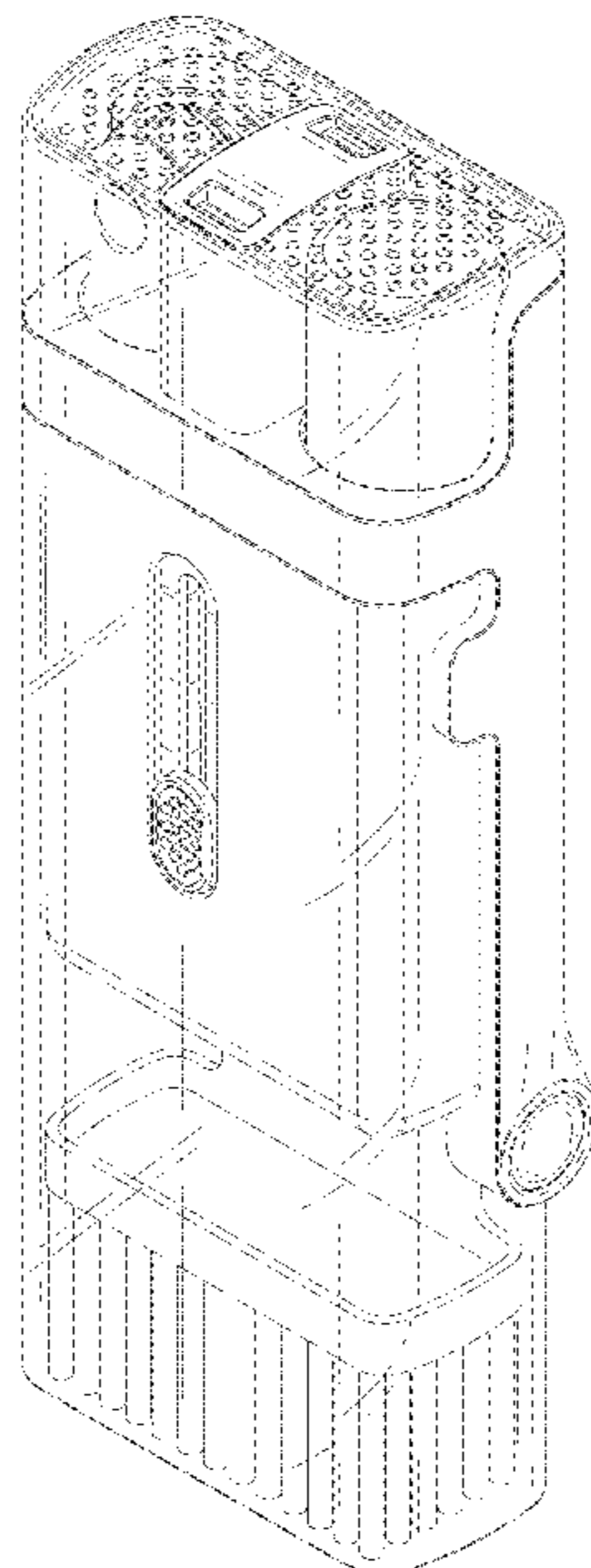
(57) **CLAIM**

The ornamental design for a cleaning brush, as shown and described.

**DESCRIPTION**

FIG. 1 is a front, right and top perspective view of a cleaning brush, showing my new design;  
FIG. 2 is a rear, left and bottom perspective view thereof;  
FIG. 3 is a front view thereof;  
FIG. 4 is a rear view thereof;  
FIG. 5 is a left side view thereof;  
FIG. 6 is a right side view thereof;  
FIG. 7 is a top plan view thereof; and,  
FIG. 8 is a bottom plan view thereof.

**1 Claim, 8 Drawing Sheets**



(56)

**References Cited**

OTHER PUBLICATIONS

Laptop Screen Keyboard Cleaner Kit [https://www.amazon.com/Keyboard-Cleaner-Electronics-Cleaning-Computer/dp/B0BJZ2PFCV/ref=cm\\_cr\\_ar\\_p\\_d\\_product\\_top?ie=UTF8](https://www.amazon.com/Keyboard-Cleaner-Electronics-Cleaning-Computer/dp/B0BJZ2PFCV/ref=cm_cr_ar_p_d_product_top?ie=UTF8) (Year: 2022).\*

Amazon.com \_ Electronics Cleaner Kit, AGPTEK 6-in-1 Keyboard Cleaning Kit(Jul. 22, 2022) [https://www.amazon.com/dp/B0B79TY6LN/ref=sspa\\_dk\\_detail\\_4](https://www.amazon.com/dp/B0B79TY6LN/ref=sspa_dk_detail_4) (Year: 2022).\*

Amazon.com \_ 6 in 1 Cleaning Brush Kit, Multipurpose Keyboard Cleaning Soft Brush Tool Kit [https://www.amazon.com/Cleaning-Multipurpose-Keyboard-Bluetooth-Earphones/dp/B0B6HSRZ6W/ref=psdc\\_3346311\\_t2\\_B0B79TY6LN](https://www.amazon.com/Cleaning-Multipurpose-Keyboard-Bluetooth-Earphones/dp/B0B6HSRZ6W/ref=psdc_3346311_t2_B0B79TY6LN) (Year: 2022).\*

\* cited by examiner

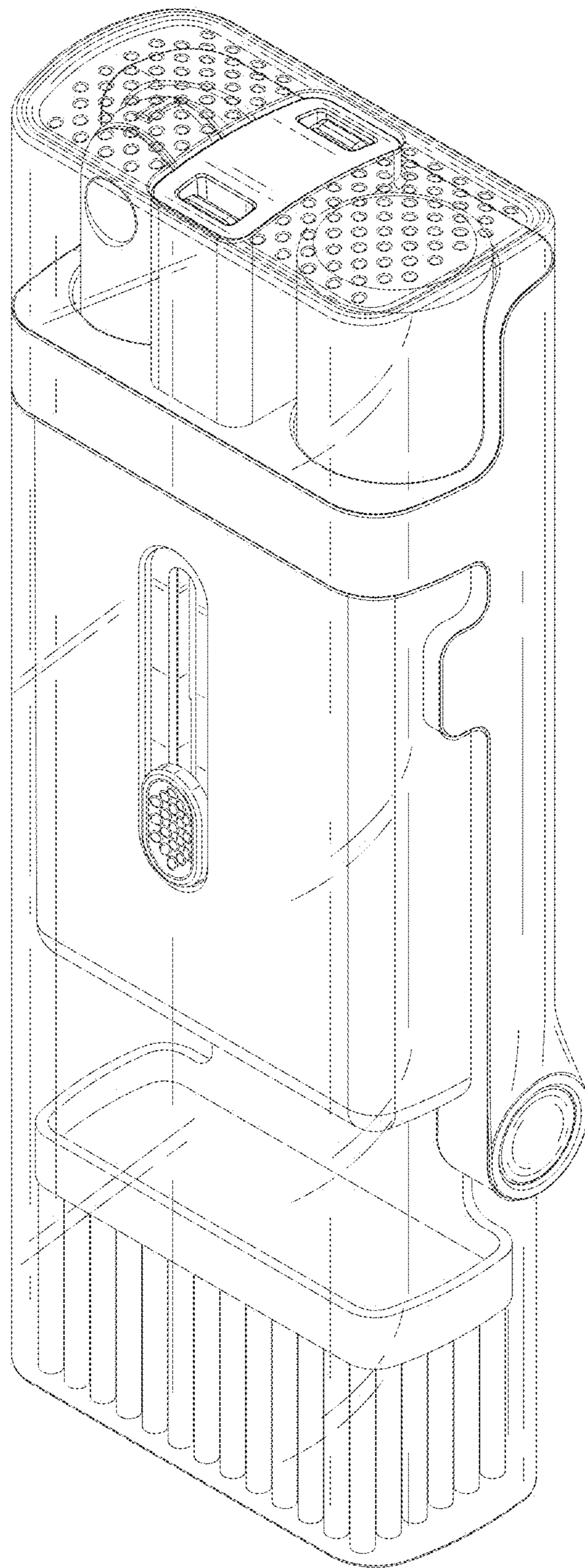


FIG. 1

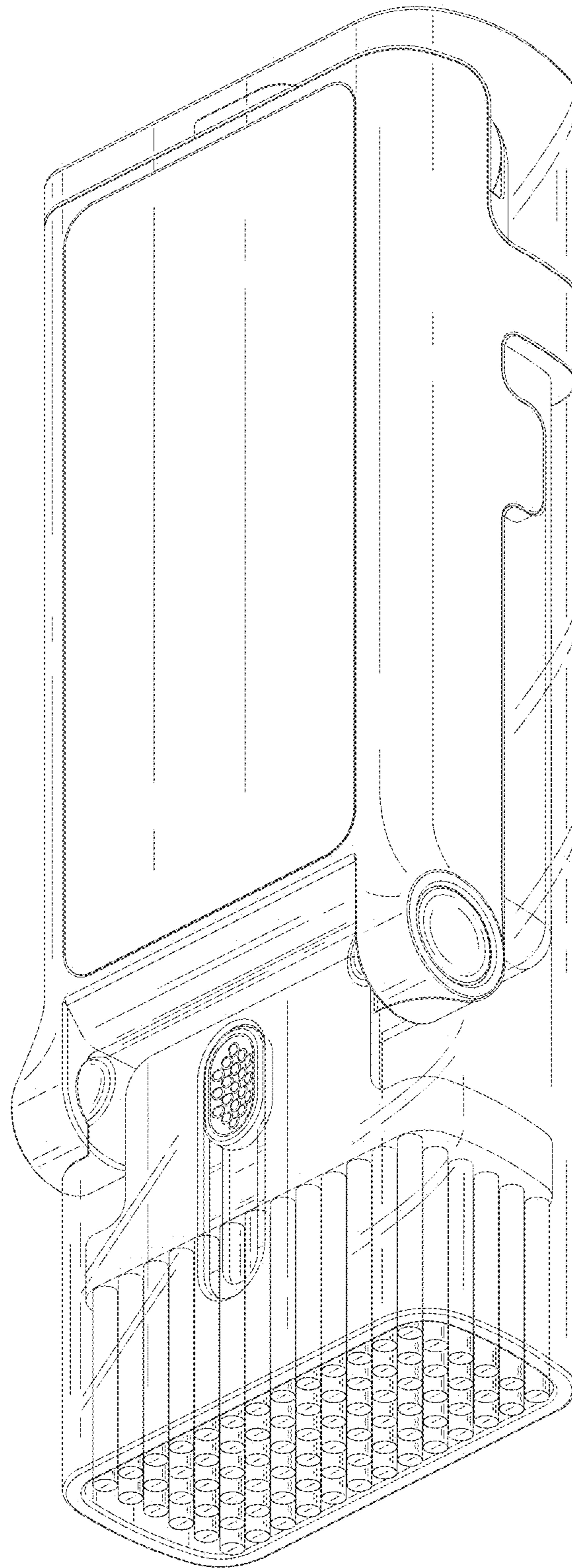


FIG. 2

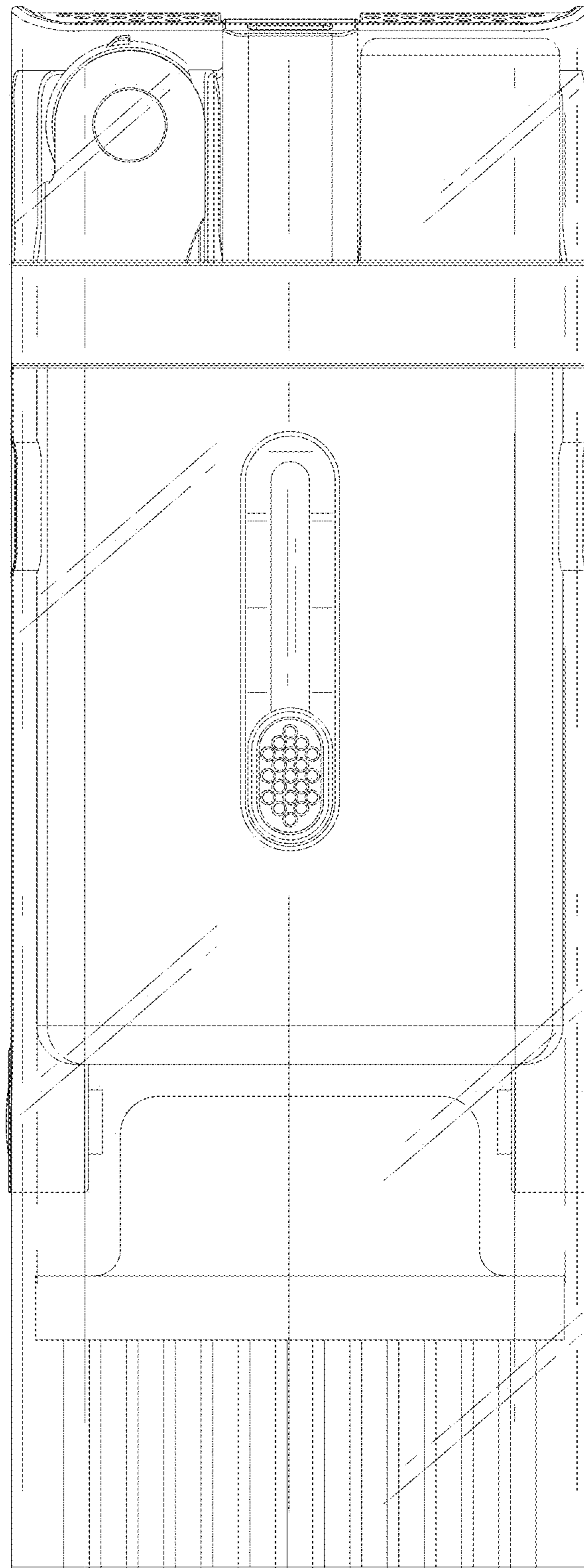


FIG. 3

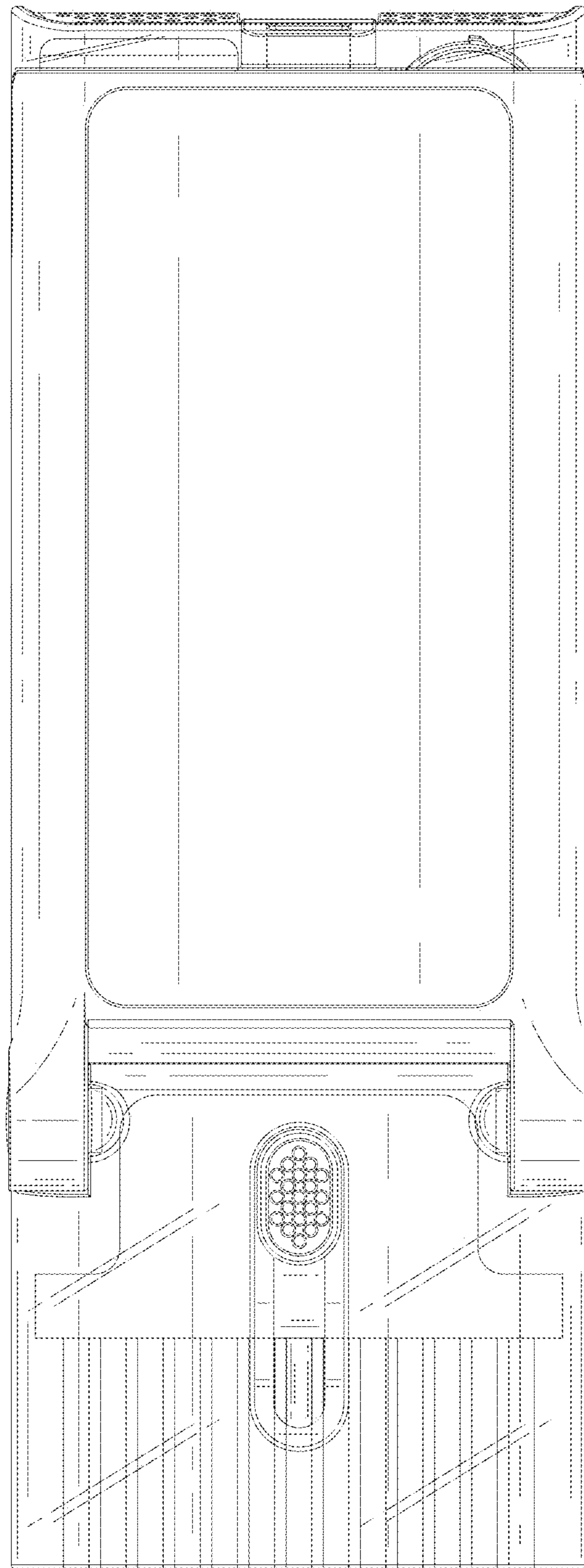


FIG. 4

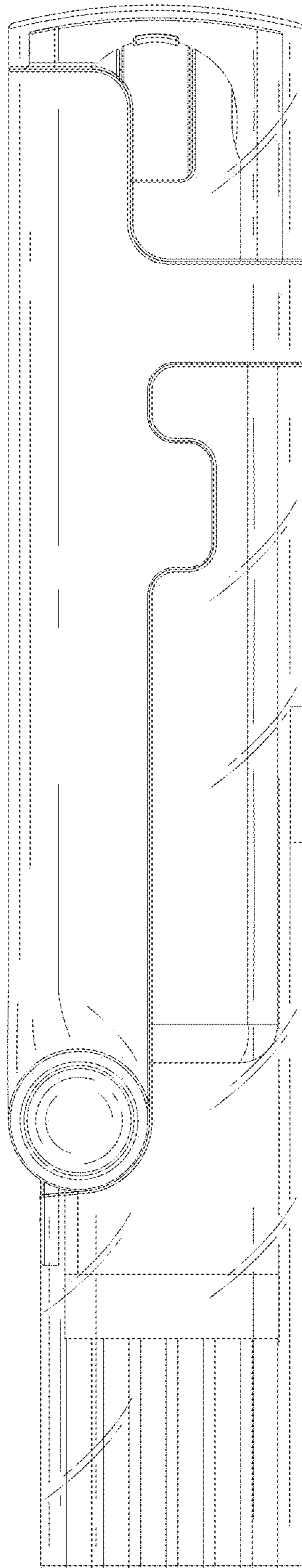


FIG. 5

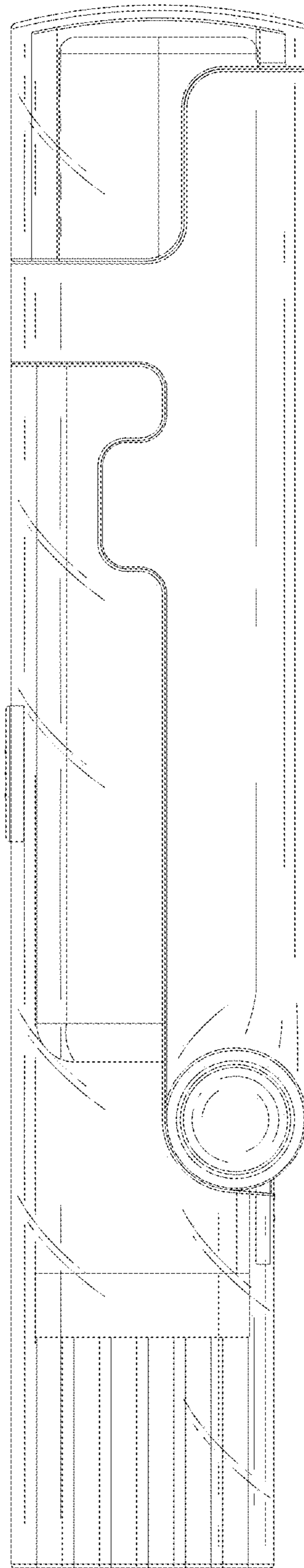


FIG. 6



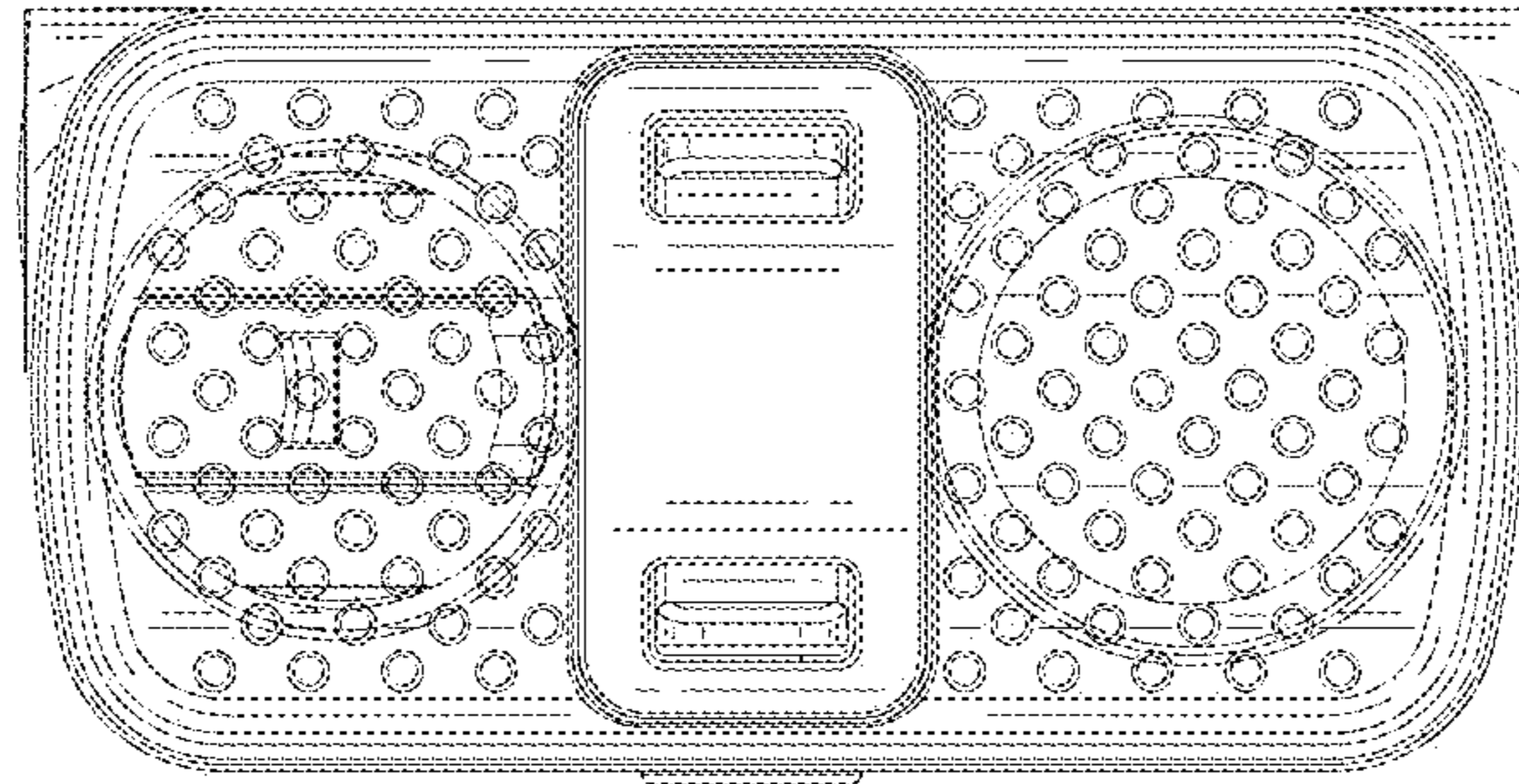


FIG. 7

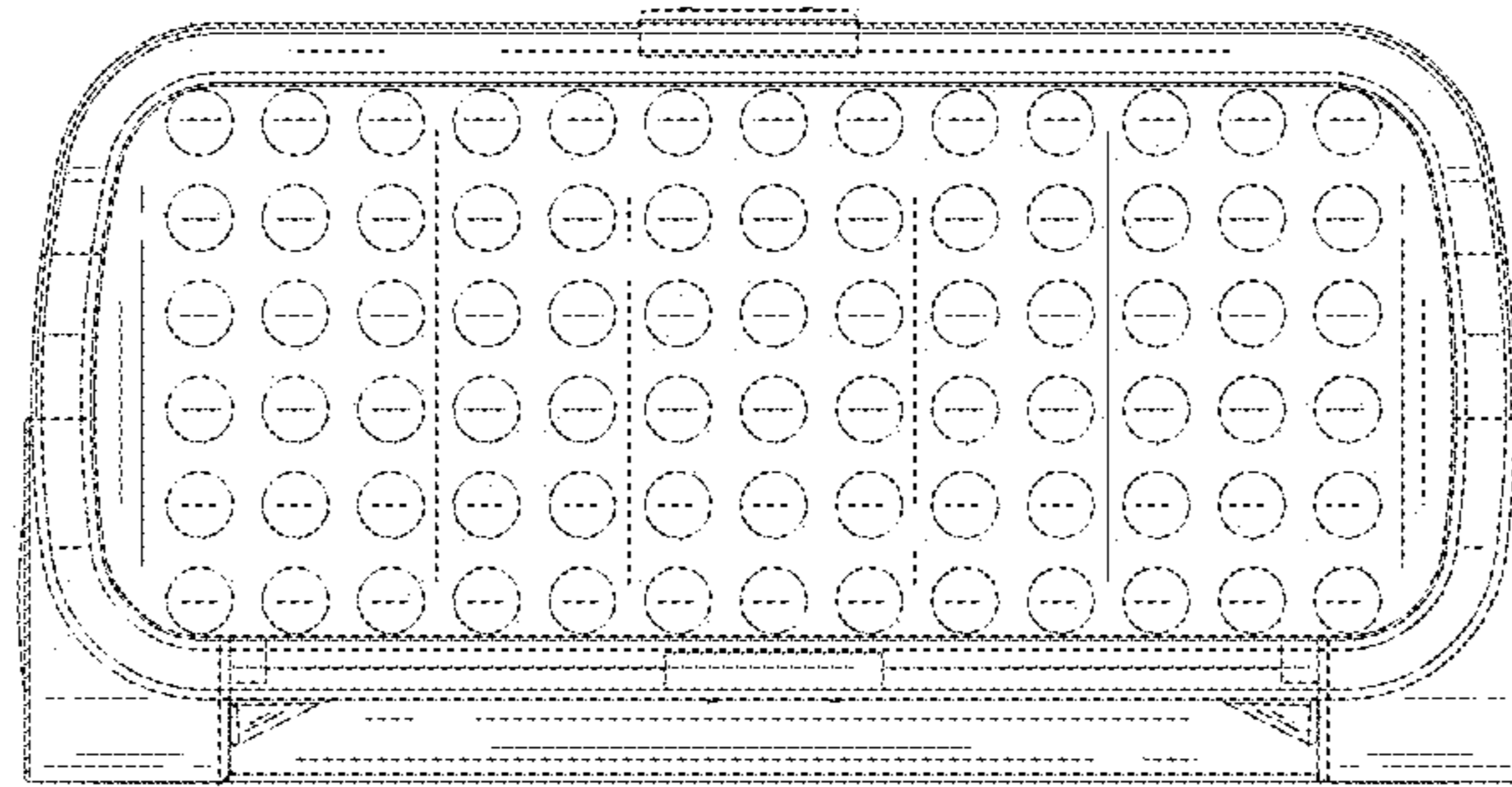


FIG. 8