



US00D982268S

(12) **United States Design Patent**  
**Zhang**

(10) **Patent No.:** **US D982,268 S**

(45) **Date of Patent:** **\*\* Mar. 28, 2023**

(54) **GLASS RINSER**

(71) Applicant: **Yi Zhang**, Guangdong (CN)

(72) Inventor: **Yi Zhang**, Guangdong (CN)

(\*\*) Term: **15 Years**

(21) Appl. No.: **29/807,734**

(22) Filed: **Sep. 14, 2021**

(30) **Foreign Application Priority Data**

Aug. 27, 2021 (CN) ..... 202130563867.9

(51) **LOC (14) Cl.** ..... **15-05**

(52) **U.S. Cl.**  
USPC ..... **D32/2; D32/3**

(58) **Field of Classification Search**  
USPC ..... D32/2, 3, 16, 26; D23/213, 214, 220,  
D23/377, 379; D7/412; D8/399  
CPC ..... A47L 15/0065; A47L 15/0076; A47L  
15/0089; A47L 15/14; A47L 15/4214;  
A47L 15/32; B08B 3/02; B08B 9/34  
See application file for complete search history.

(56) **References Cited**

**U.S. PATENT DOCUMENTS**

D578,716 S	10/2008	Palin	
D644,799 S	9/2011	Bruneel	
D748,351 S *	1/2016	Baldwin	D32/3
D761,056 S *	7/2016	Kemker	D7/378
D762,033 S	7/2016	Gooden	
D770,228 S *	11/2016	Pan	D7/378
D836,262 S *	12/2018	Lee	D32/3
D839,780 S	2/2019	Orlansky	
D870,404 S	12/2019	Copp	
D882,890 S *	4/2020	Baldwin	D32/3

(Continued)

**FOREIGN PATENT DOCUMENTS**

CN	306867740	* 10/2021
CN	307433918	* 7/2022

**OTHER PUBLICATIONS**

NeoBano Metal Glass Rinser for Kitchen Sinks, available in Amazon.com, date first available Nov. 16, 2021 [online], [site visited Sep. 23, 2022], Available from the internet URL: <https://www.amazon.com/NeoBano-Kitchen-Stainless-Bottles-Accessories/dp/B09LYGY9XK> (Year: 2021).\*

(Continued)

*Primary Examiner* — Jennifer Rivard  
*Assistant Examiner* — Jennylou M Binas

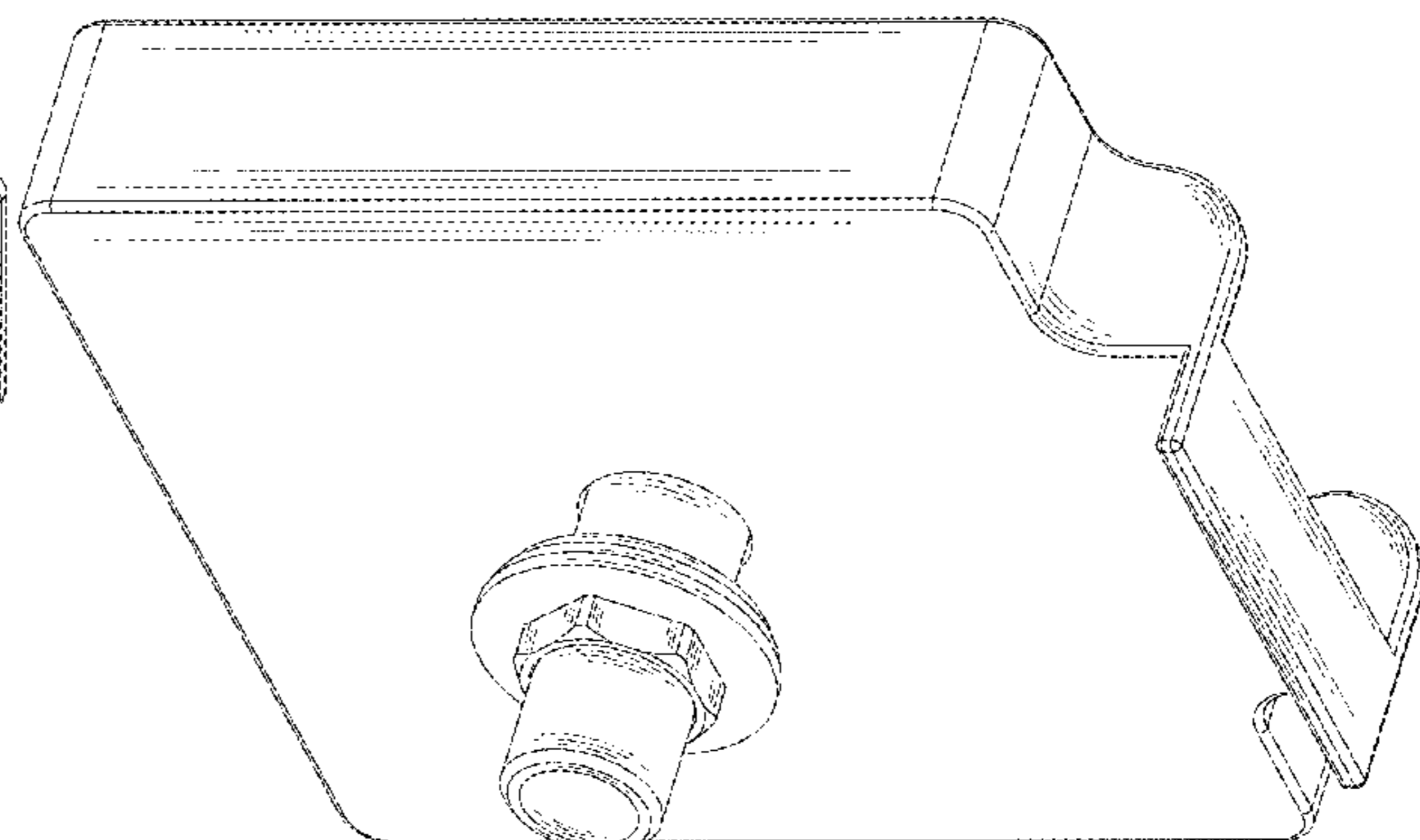
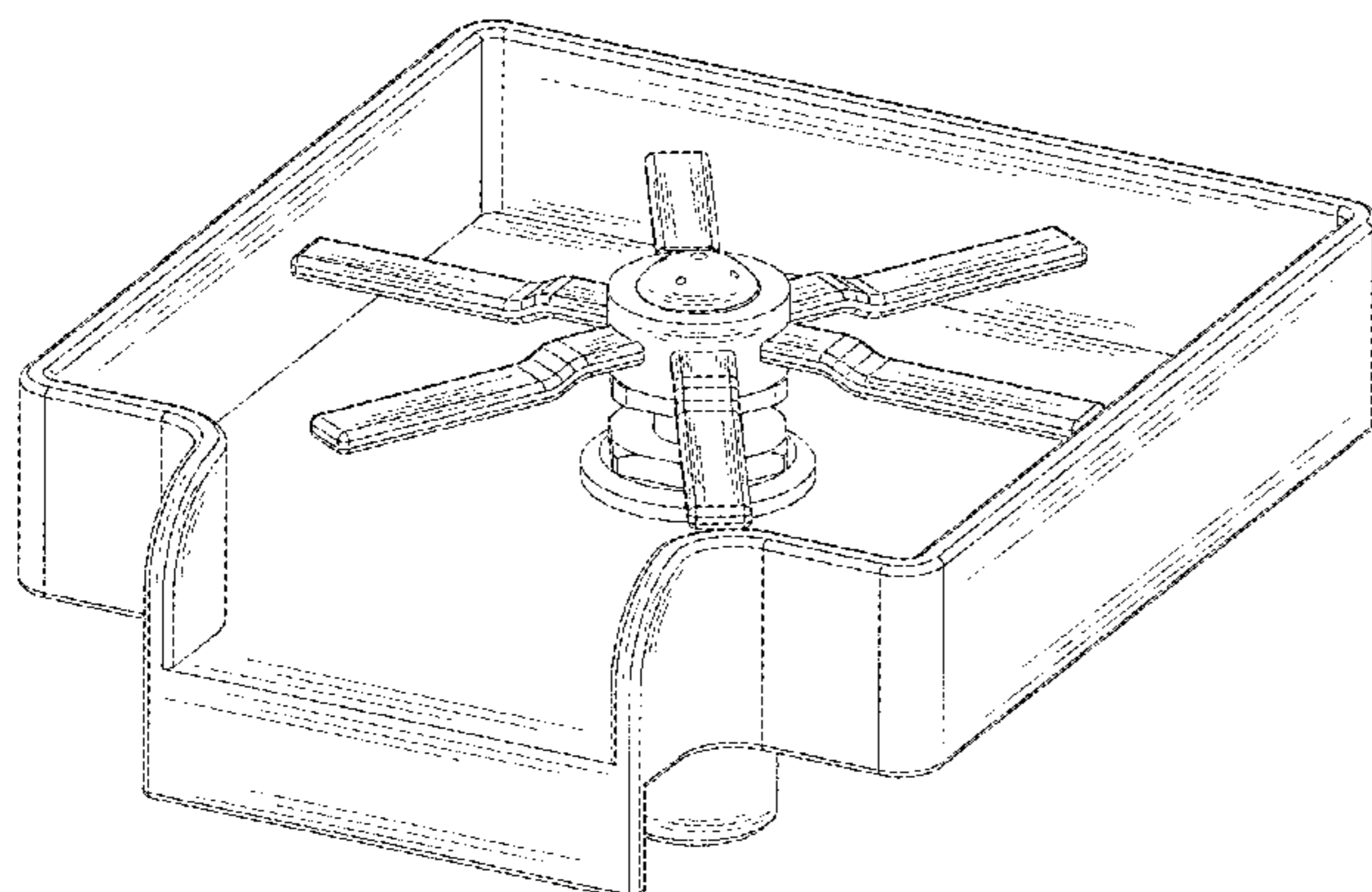
(57) **CLAIM**

The ornamental design for a glass rinser, as shown and described.

**DESCRIPTION**

FIG. 1 is a front, top perspective view of a glass rinser design showing the first embodiment of my new design.  
FIG. 2 is a front view of a glass rinser.  
FIG. 3 is a rear view of a glass rinser.  
FIG. 4 is a left view of a glass rinser.  
FIG. 5 is a right view of a glass rinser.  
FIG. 6 is a top view of a glass rinser.  
FIG. 7 is a bottom view of a glass rinser.  
FIG. 8 is a bottom perspective view of a glass rinser.  
FIG. 9 is a front, bottom perspective view of a glass rinser design showing the second embodiment of my new design.  
FIG. 10 is a front view of FIG. 9.  
FIG. 11 is a rear view of FIG. 9.  
FIG. 12 is a left view of FIG. 9.  
FIG. 13 is a right view of FIG. 9.  
FIG. 14 is a top view of FIG. 9.  
FIG. 15 is a bottom view of FIG. 9; and,  
FIG. 16 is a top perspective view of FIG. 9.  
The broken lines shown in the drawings depict portions of the glass rinser that form no part of the claimed design.

**1 Claim, 16 Drawing Sheets**



(56)

**References Cited**

U.S. PATENT DOCUMENTS

D885,221 S 5/2020 Huang  
D910,939 S \* 2/2021 Nam ..... D32/3  
D917,118 S 4/2021 Ye  
D957,764 S \* 7/2022 Kwong ..... A47L 17/02  
D32/2  
D967,929 S \* 10/2022 Lin ..... D23/213  
2018/0092505 A1 \* 4/2018 Simon ..... B05B 9/0403  
2020/0107694 A1 \* 4/2020 Kwong ..... A47L 15/0076

OTHER PUBLICATIONS

YBB Steaming Pitcher Rinser, available in Amazon.com, date first available Nov. 16, 2021 [online], [site visited Sep. 23, 2022], Available from the internet URL: <https://www.amazon.com/dp/B097MG1FP4> (Year: 2021).\*

\* cited by examiner

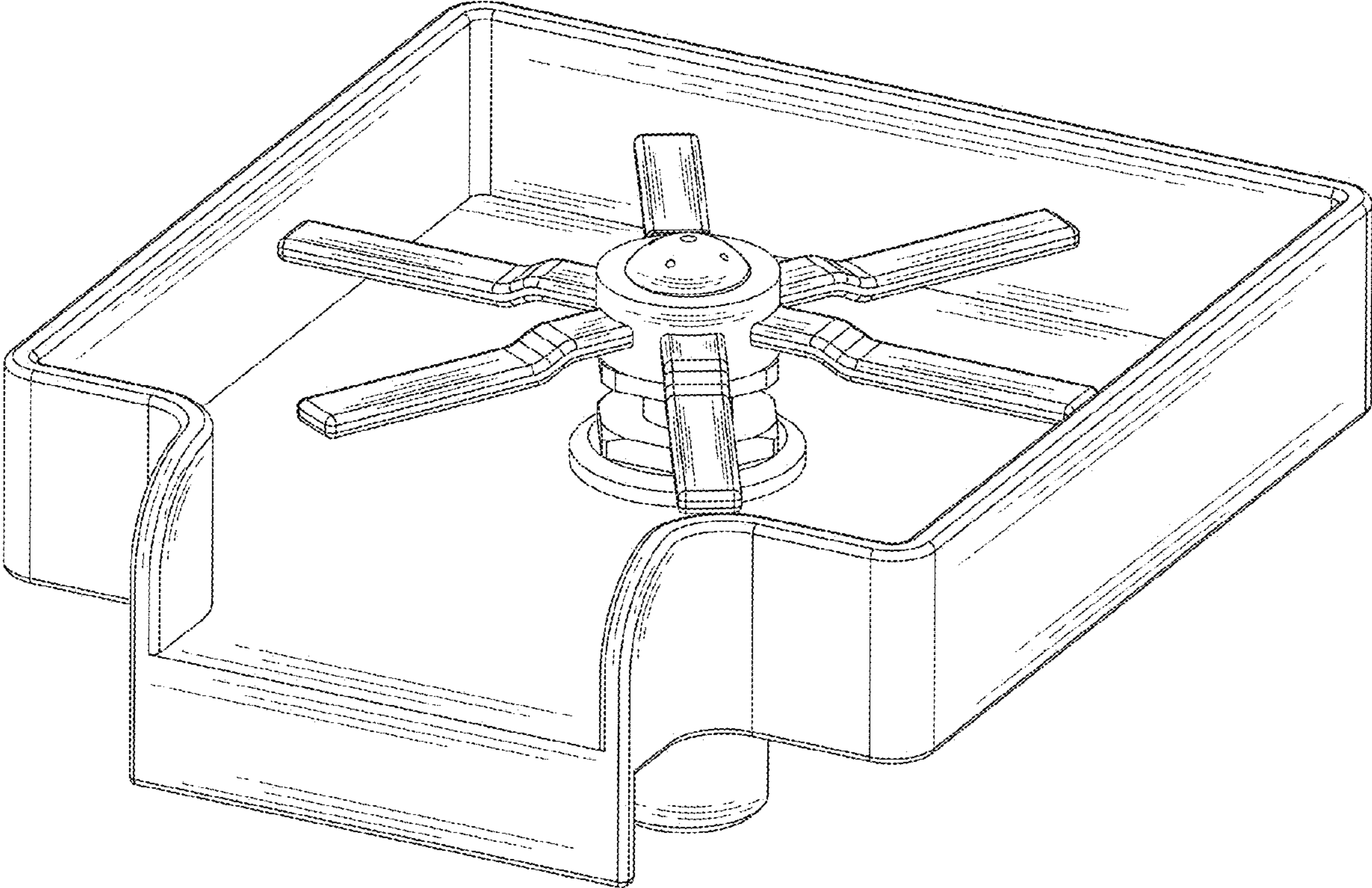


FIG. 1

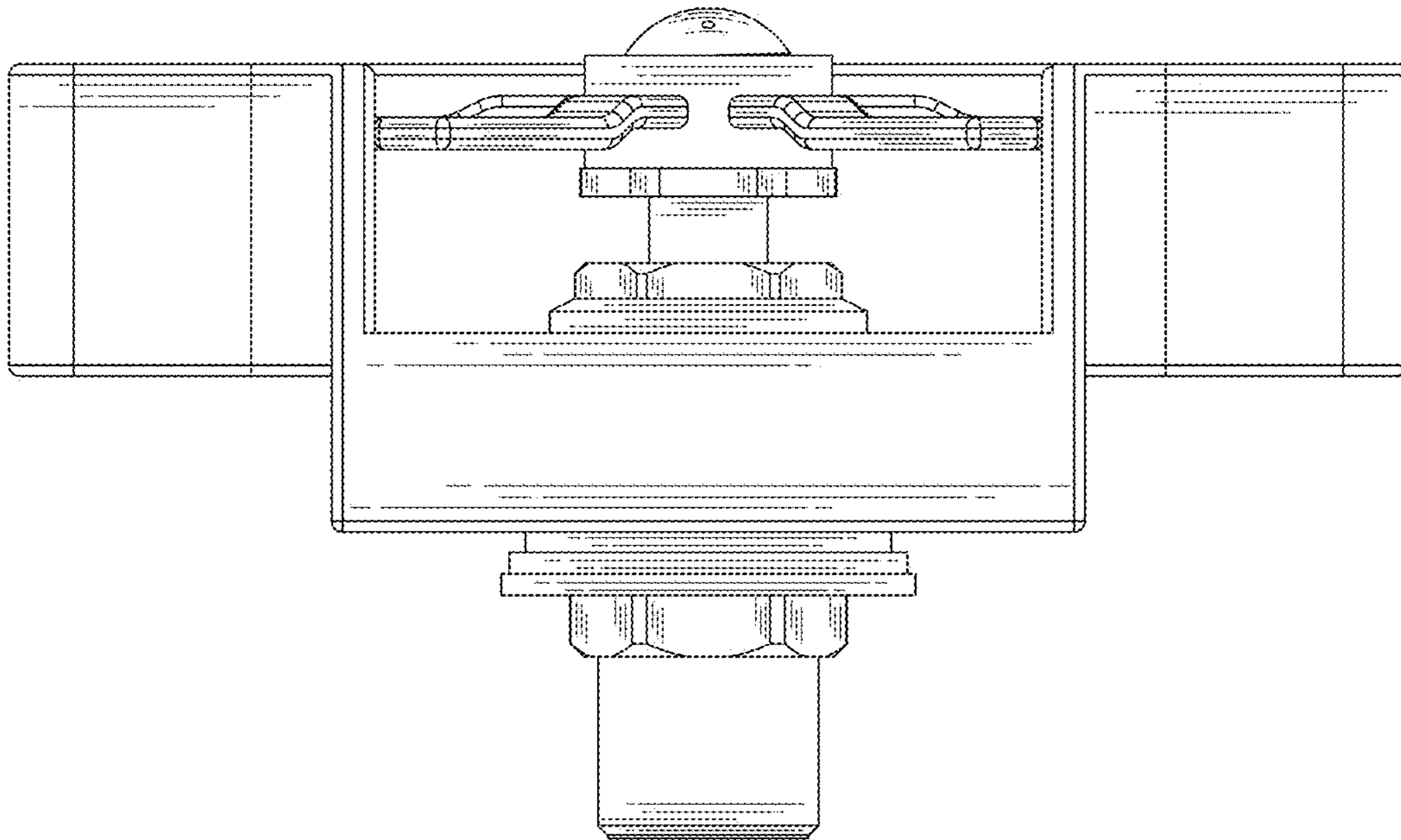


FIG. 2

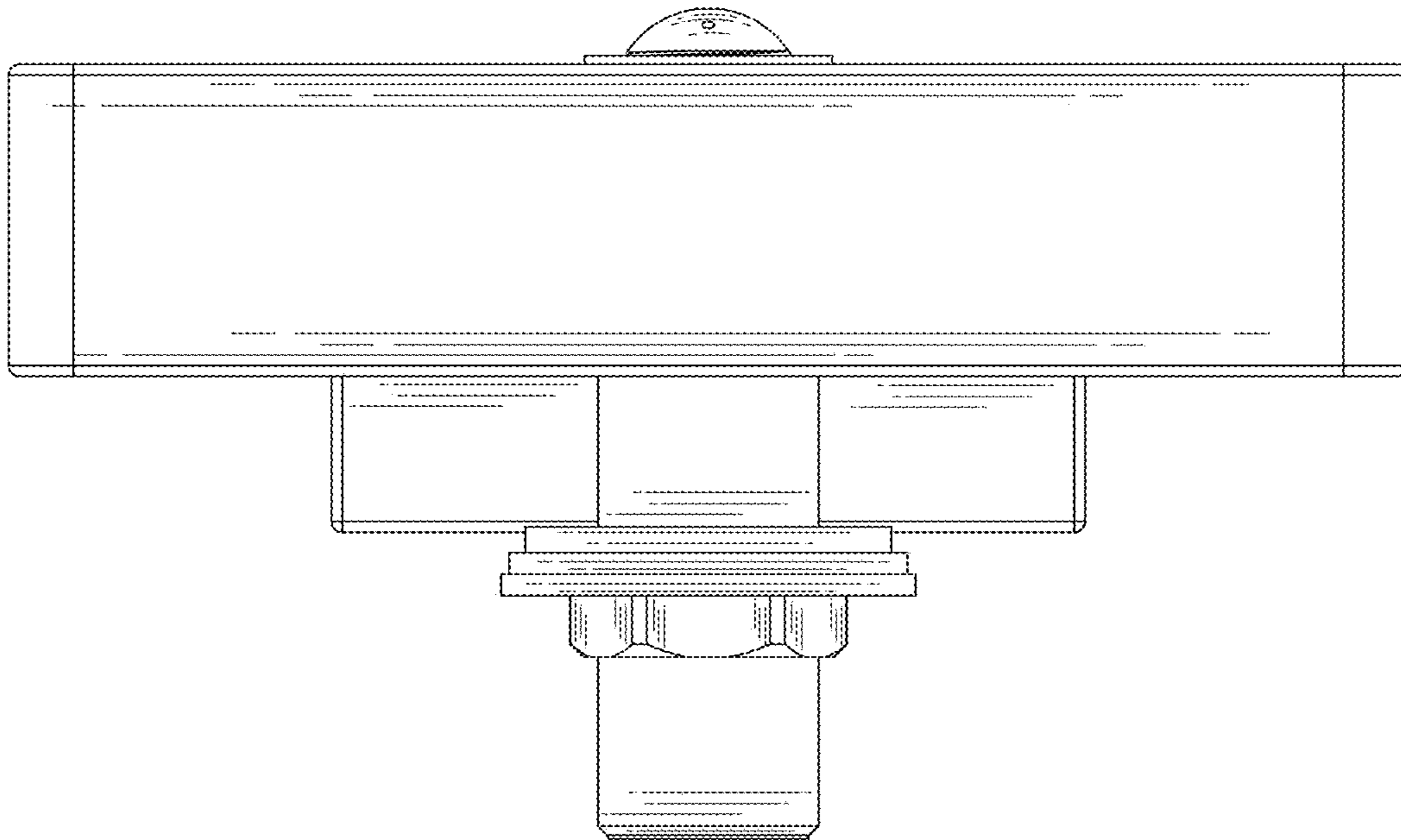


FIG. 3

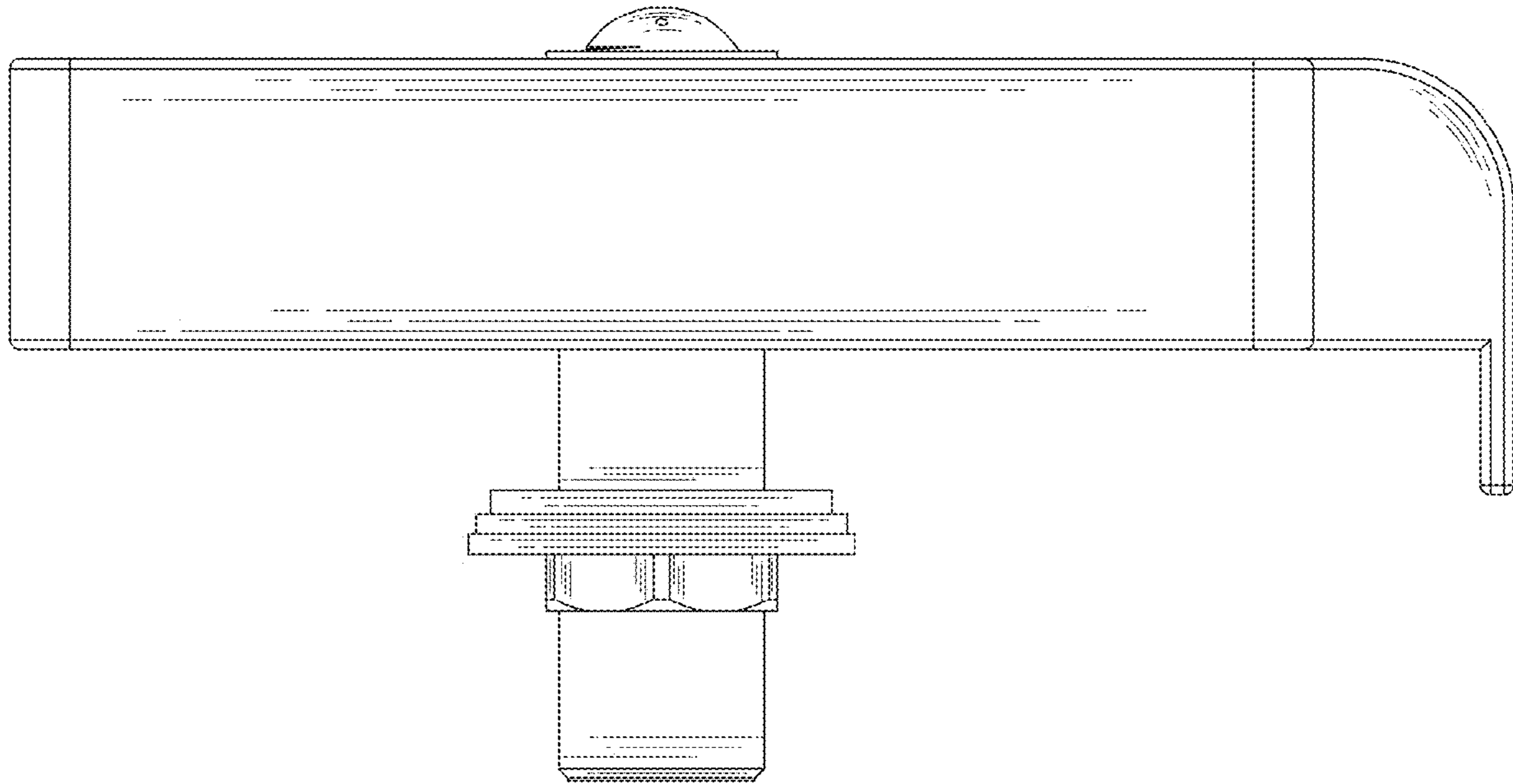


FIG. 4

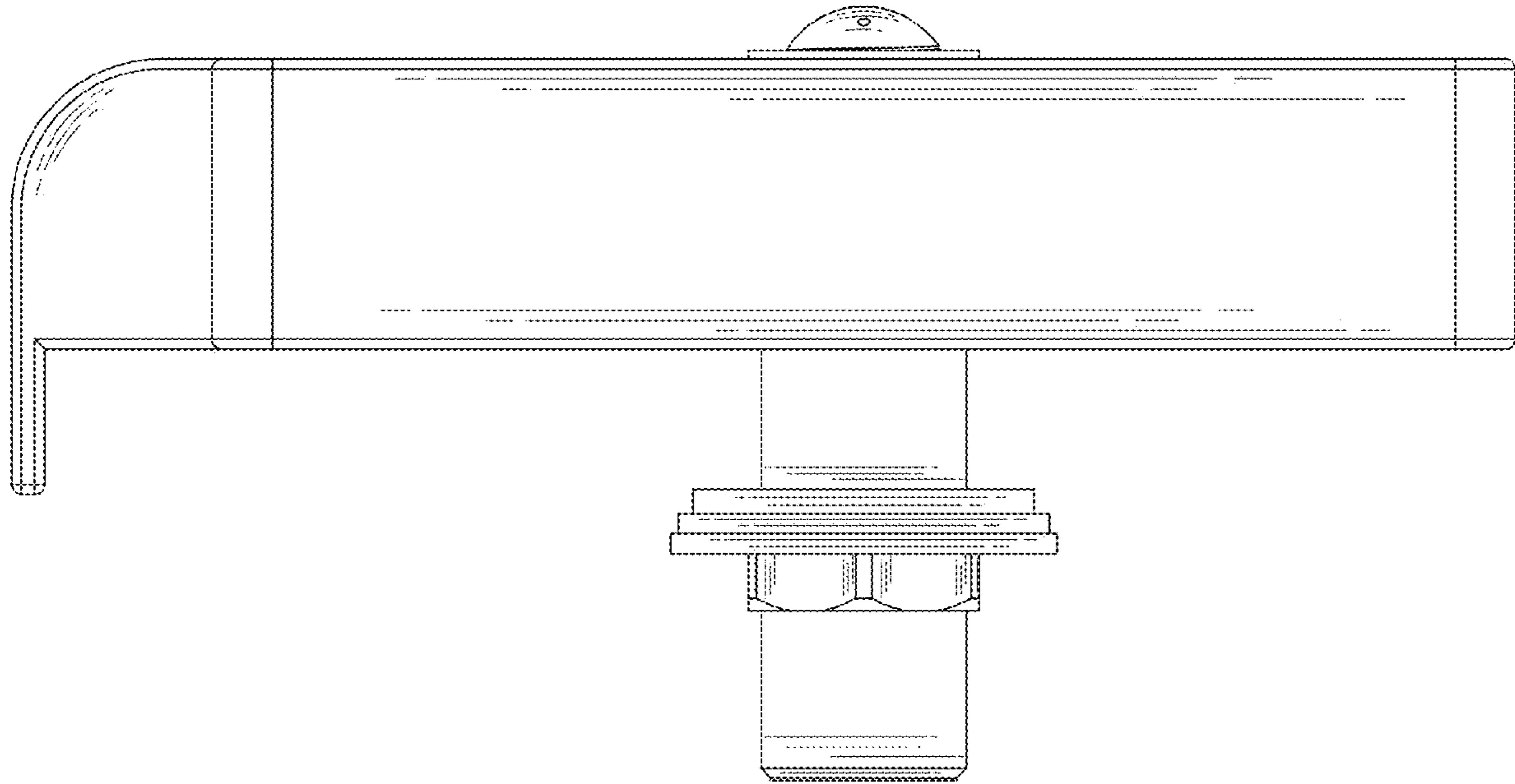


FIG. 5

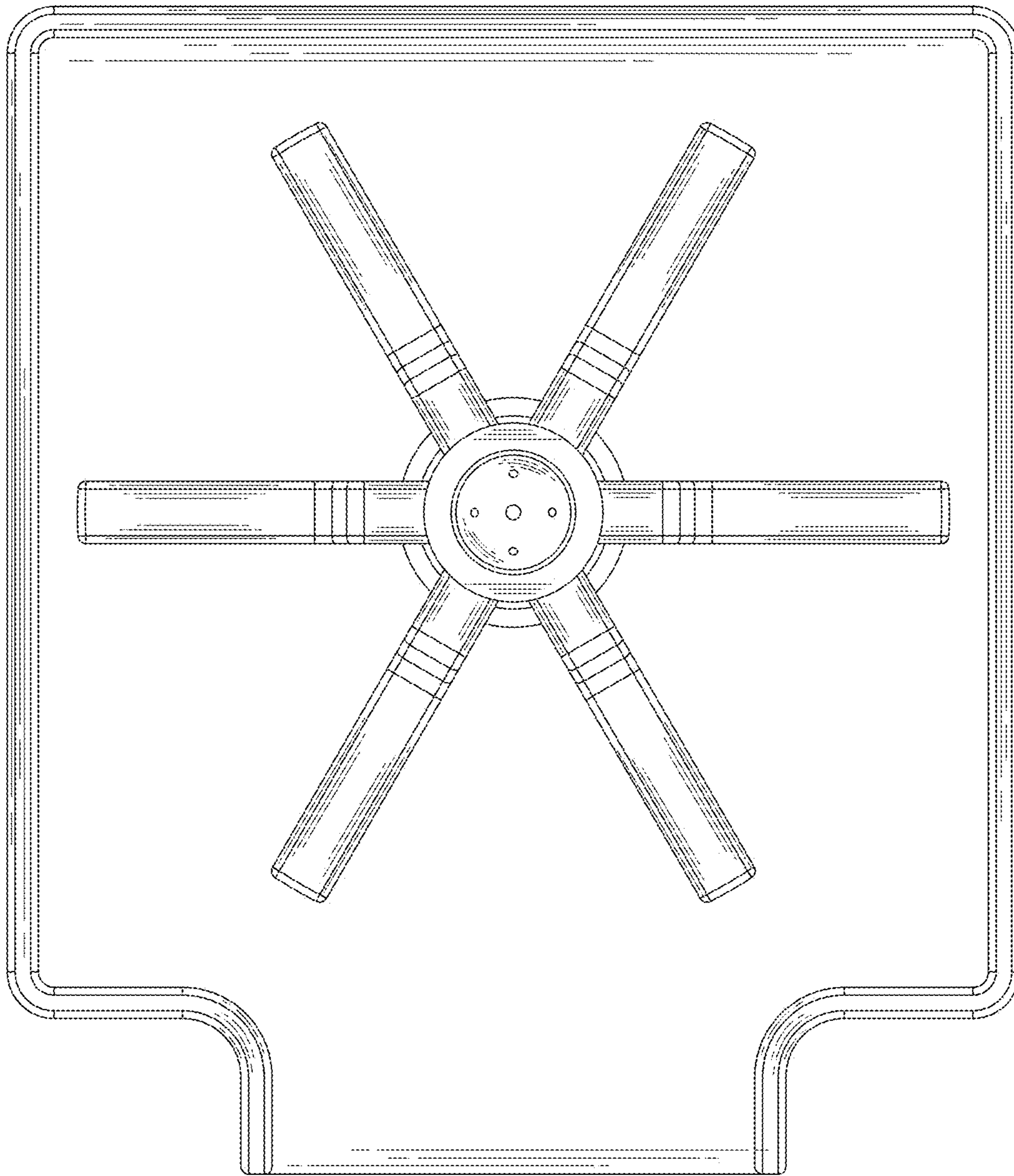


FIG. 6



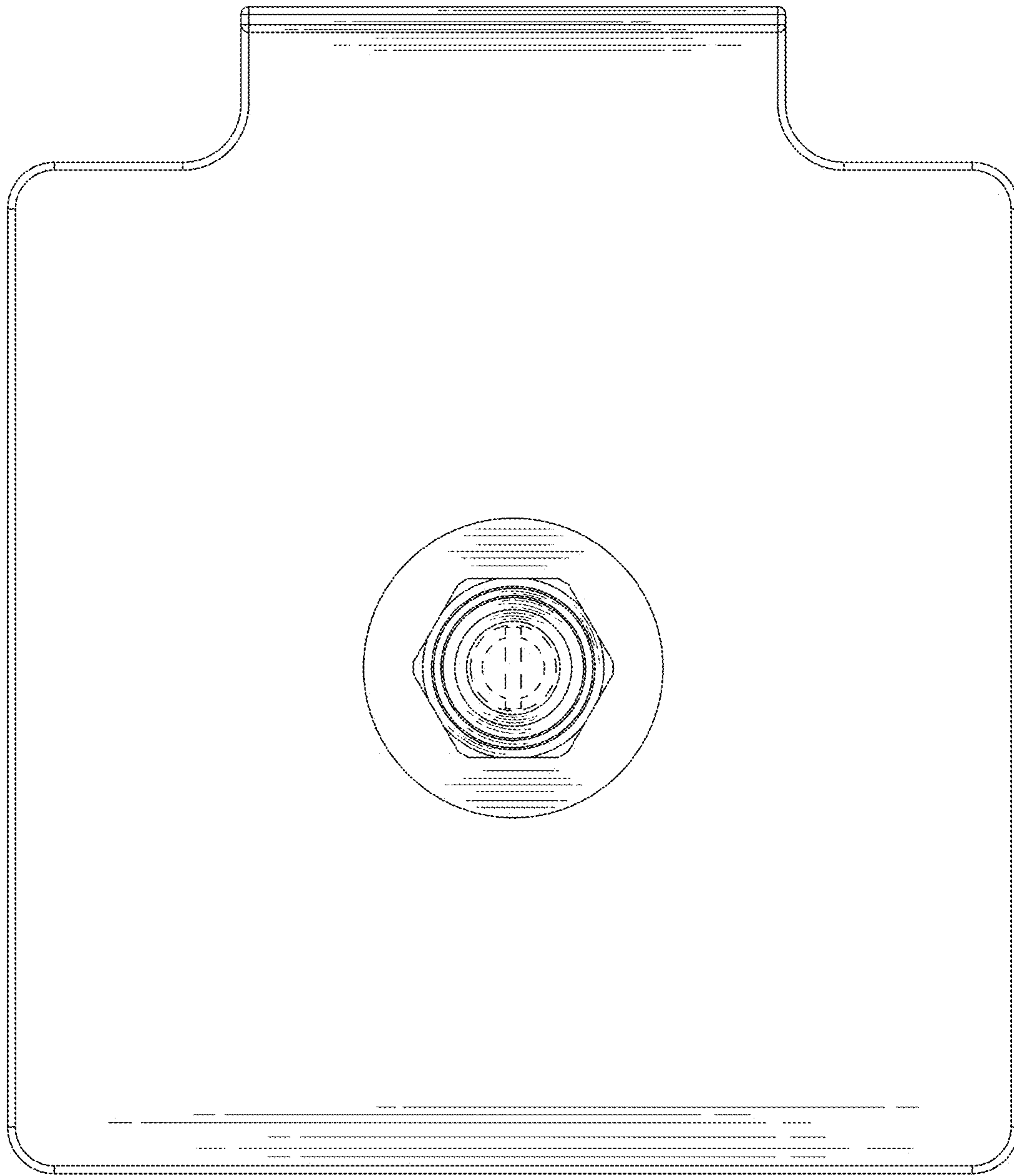


FIG. 7

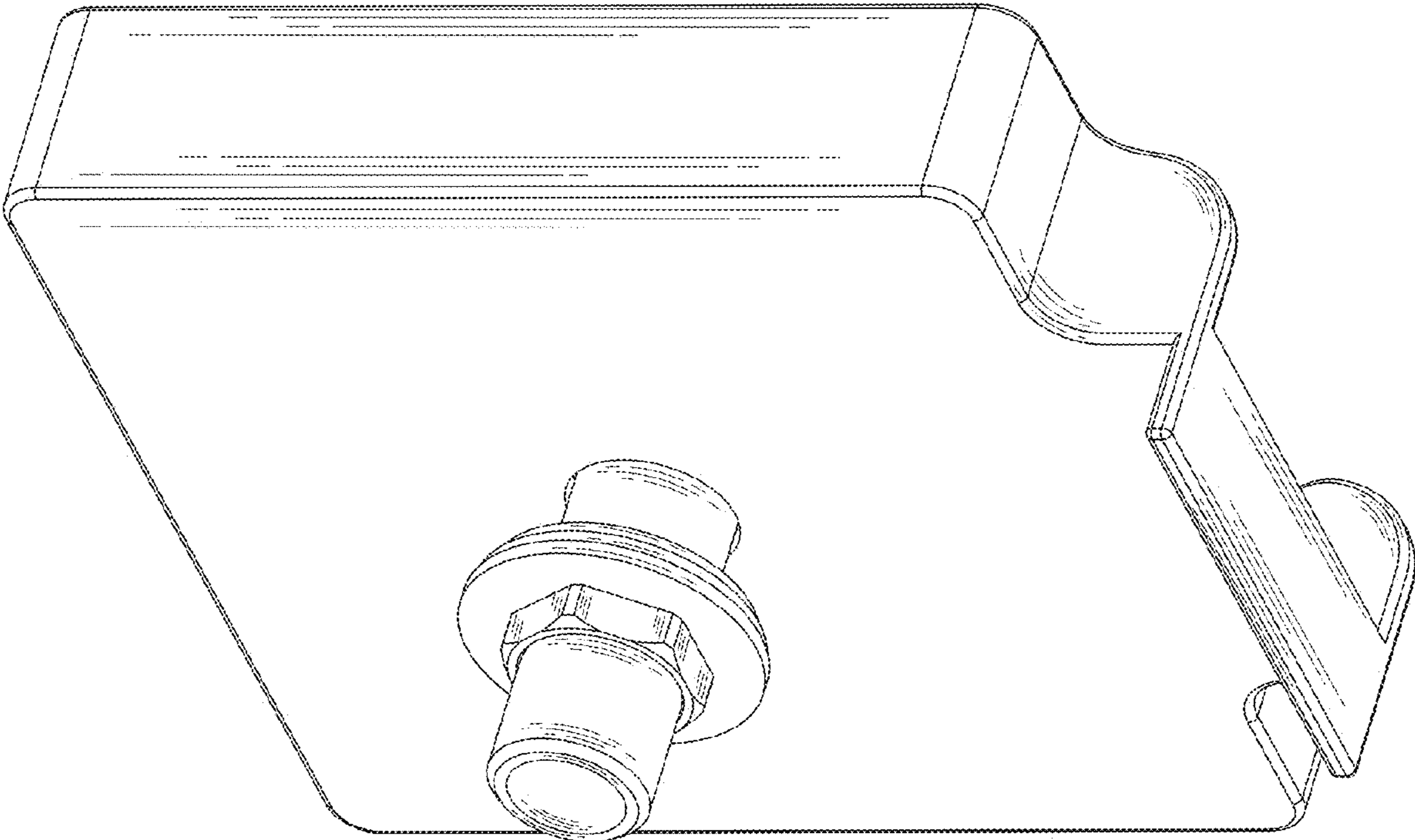


FIG. 8

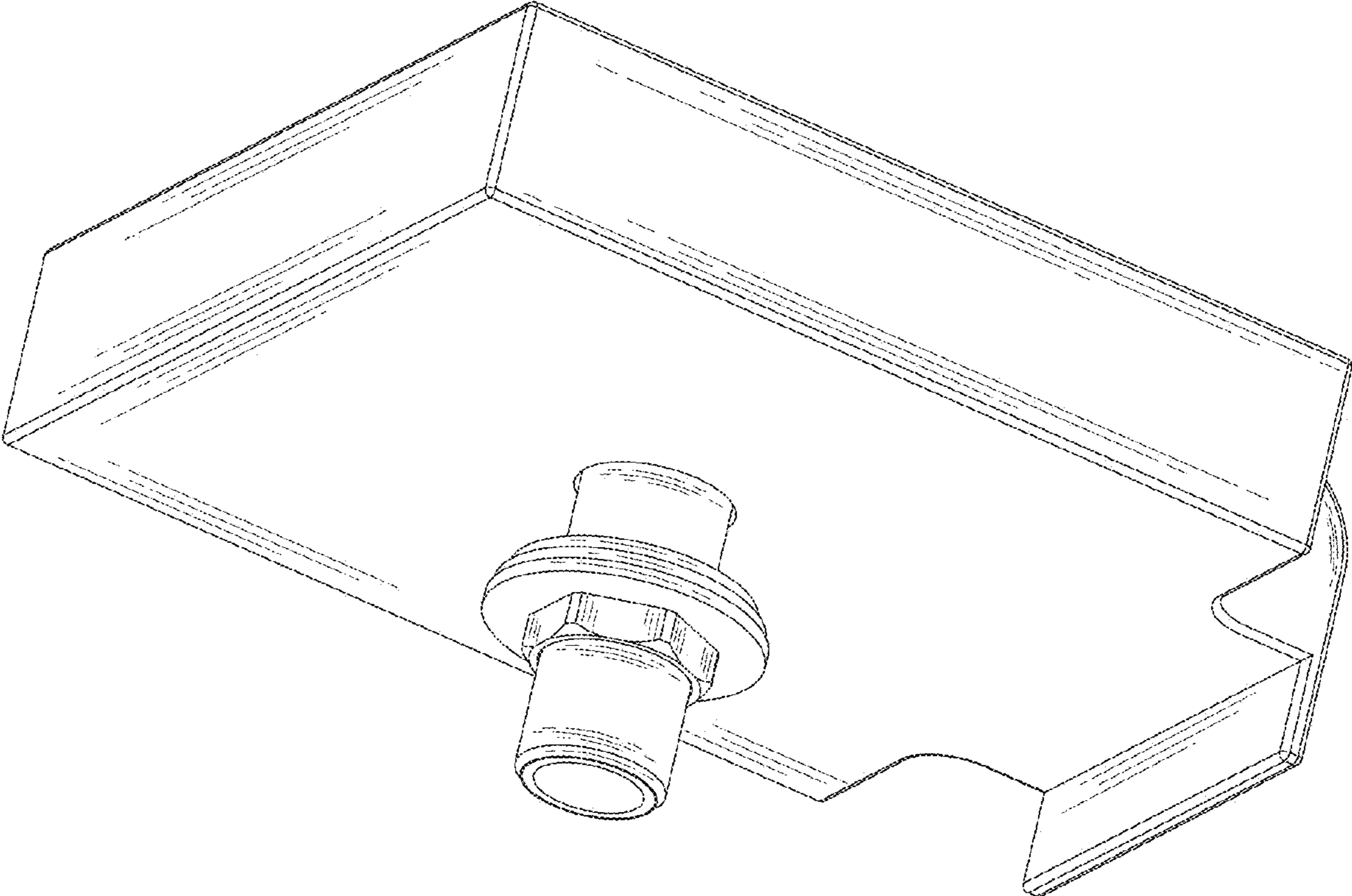


FIG. 9

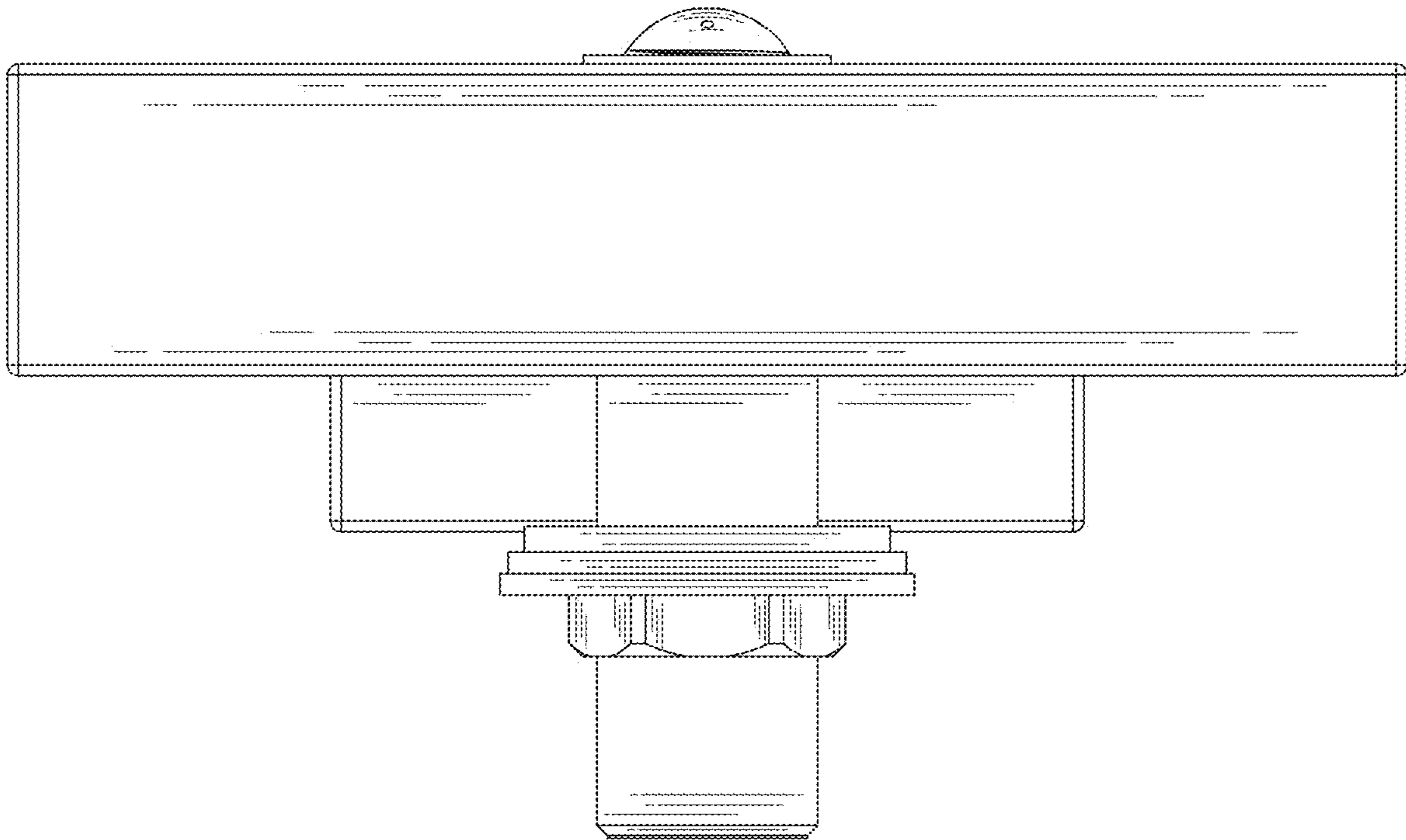


FIG. 10

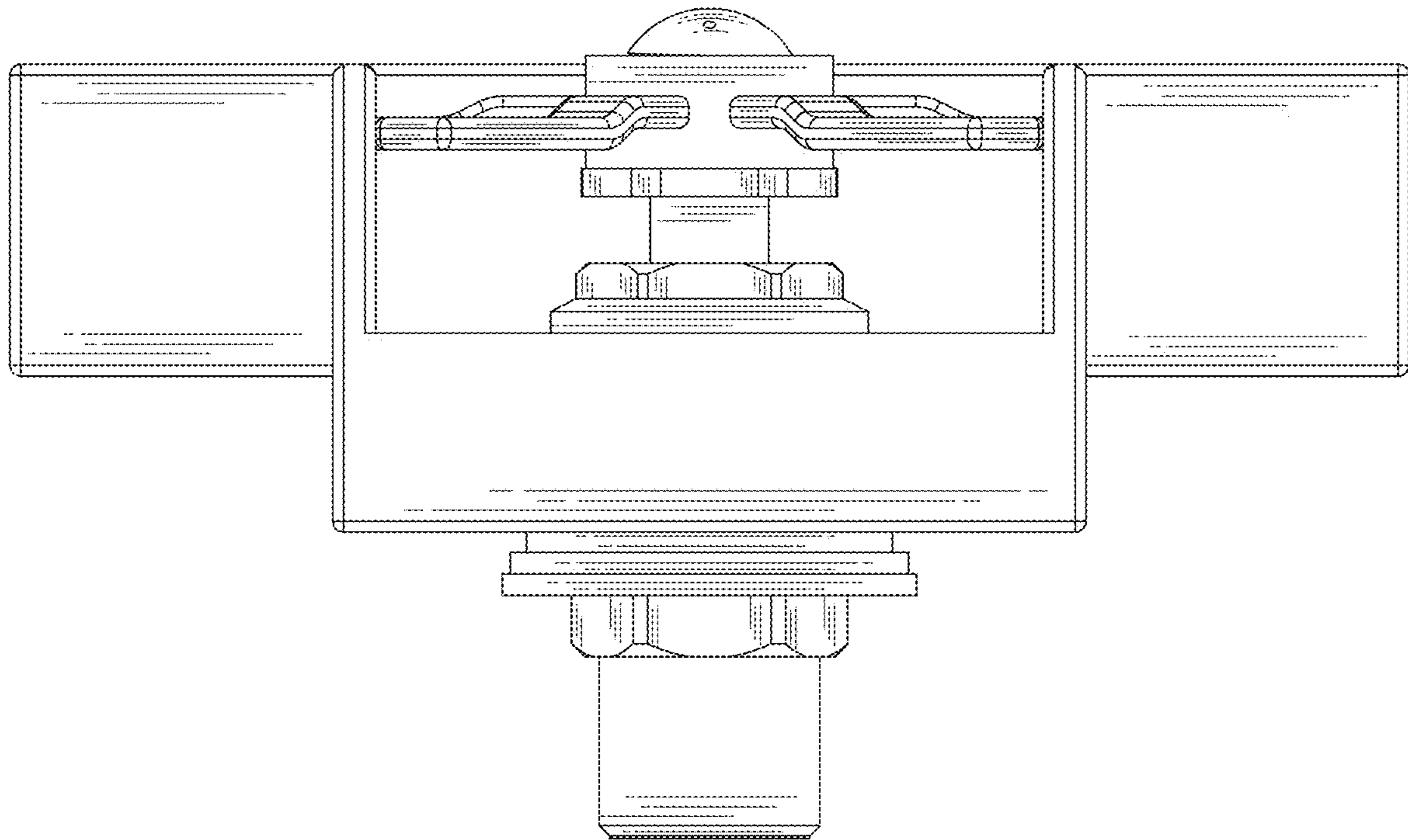


FIG. 11

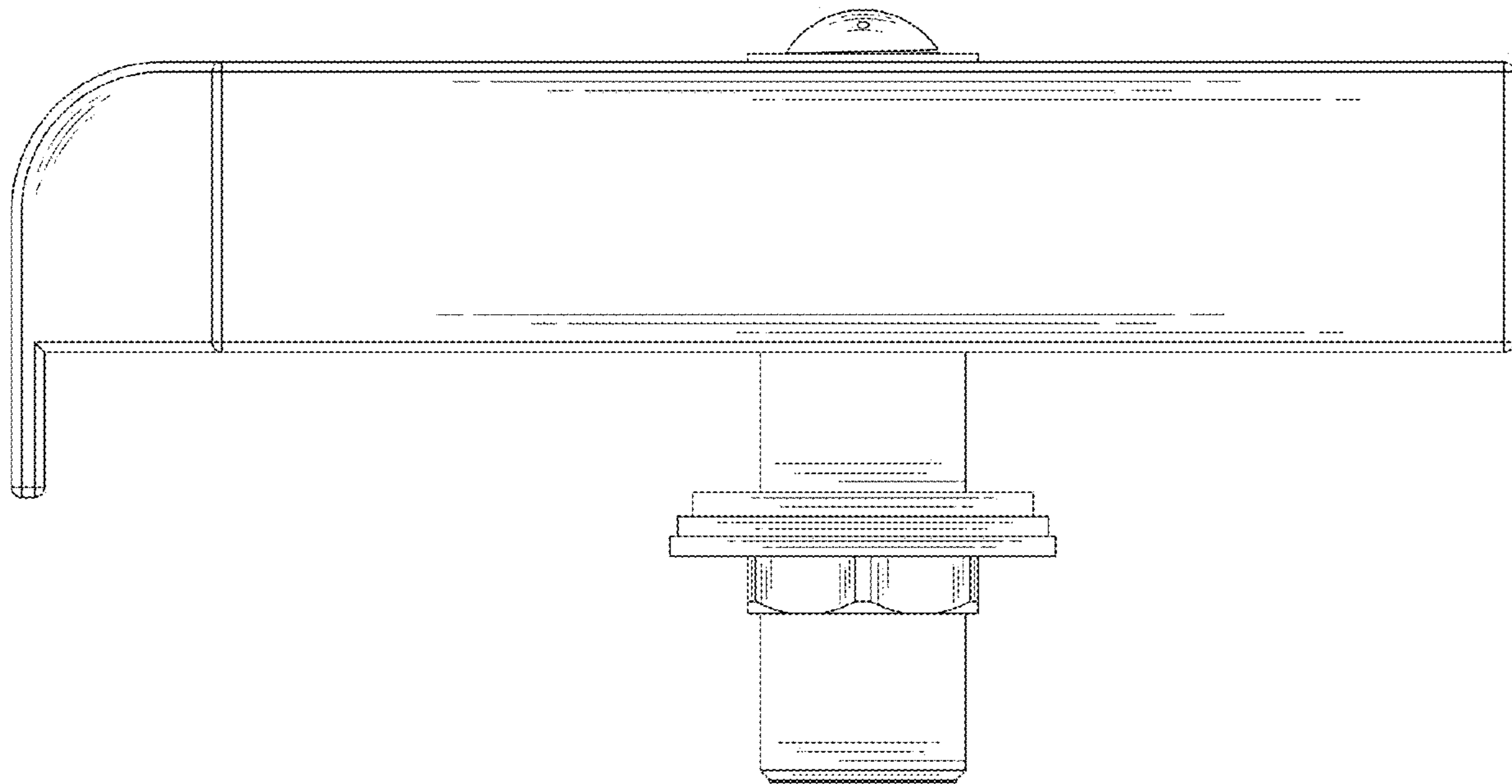


FIG. 12

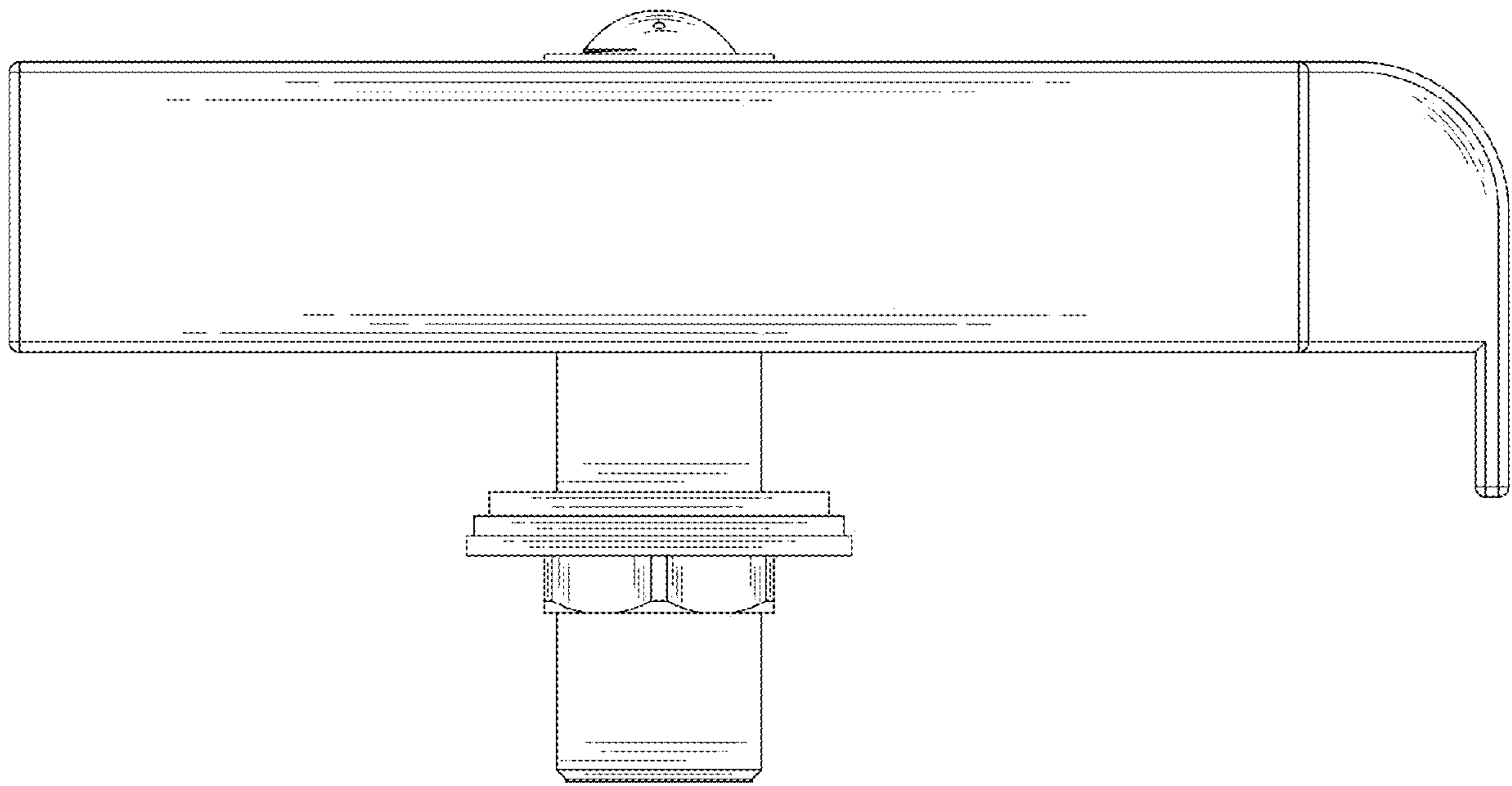


FIG. 13

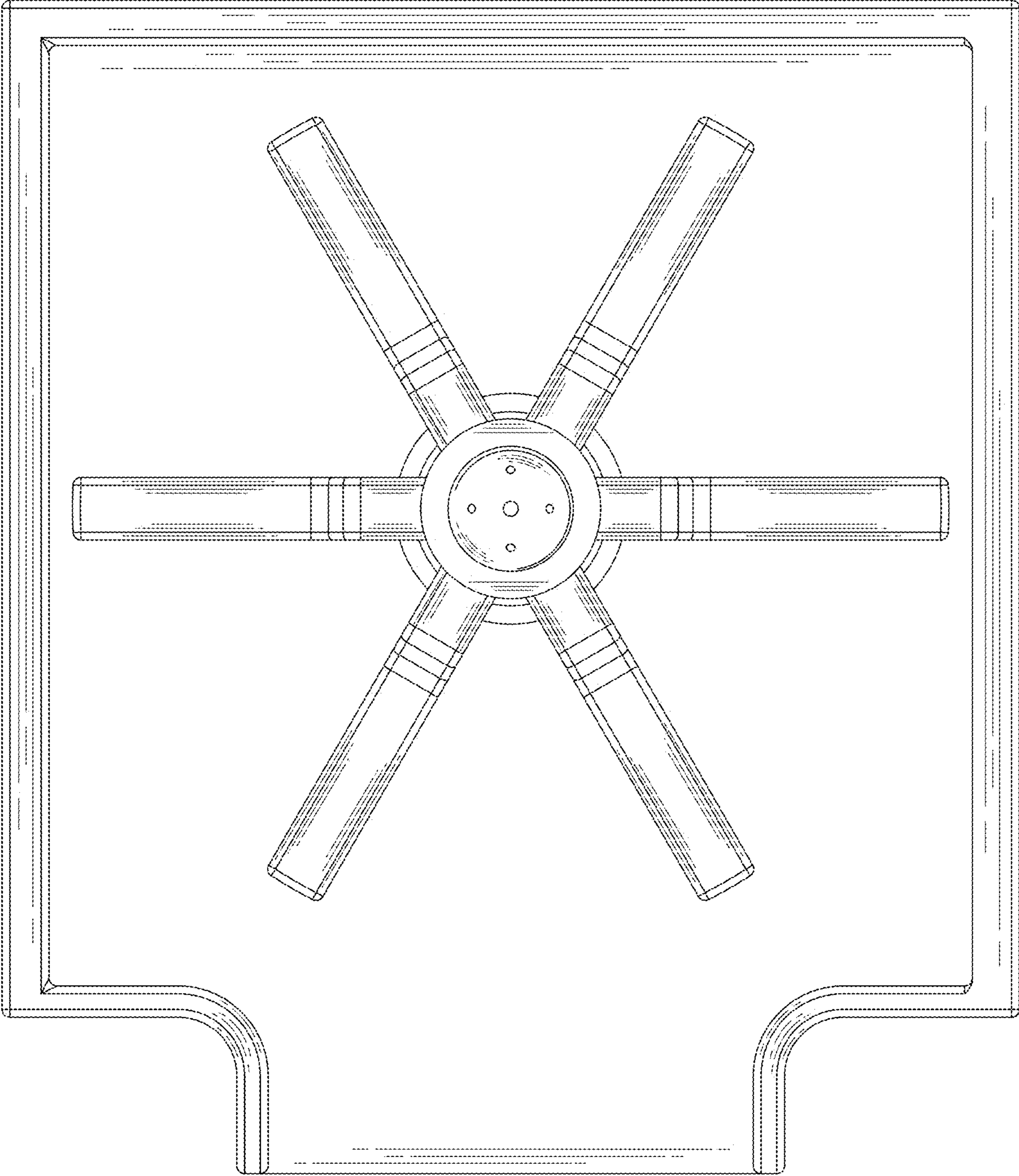


FIG. 14



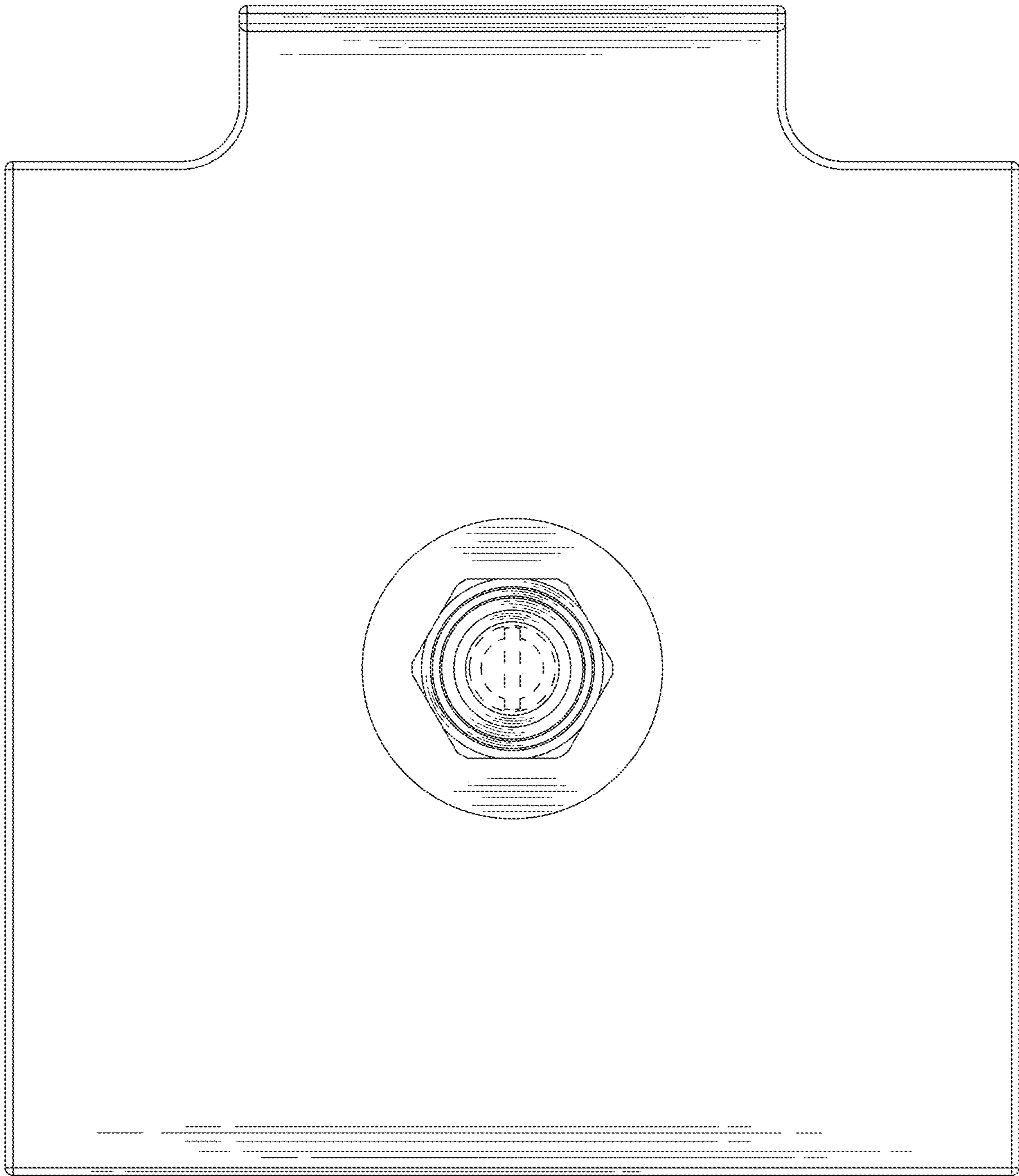


FIG. 15

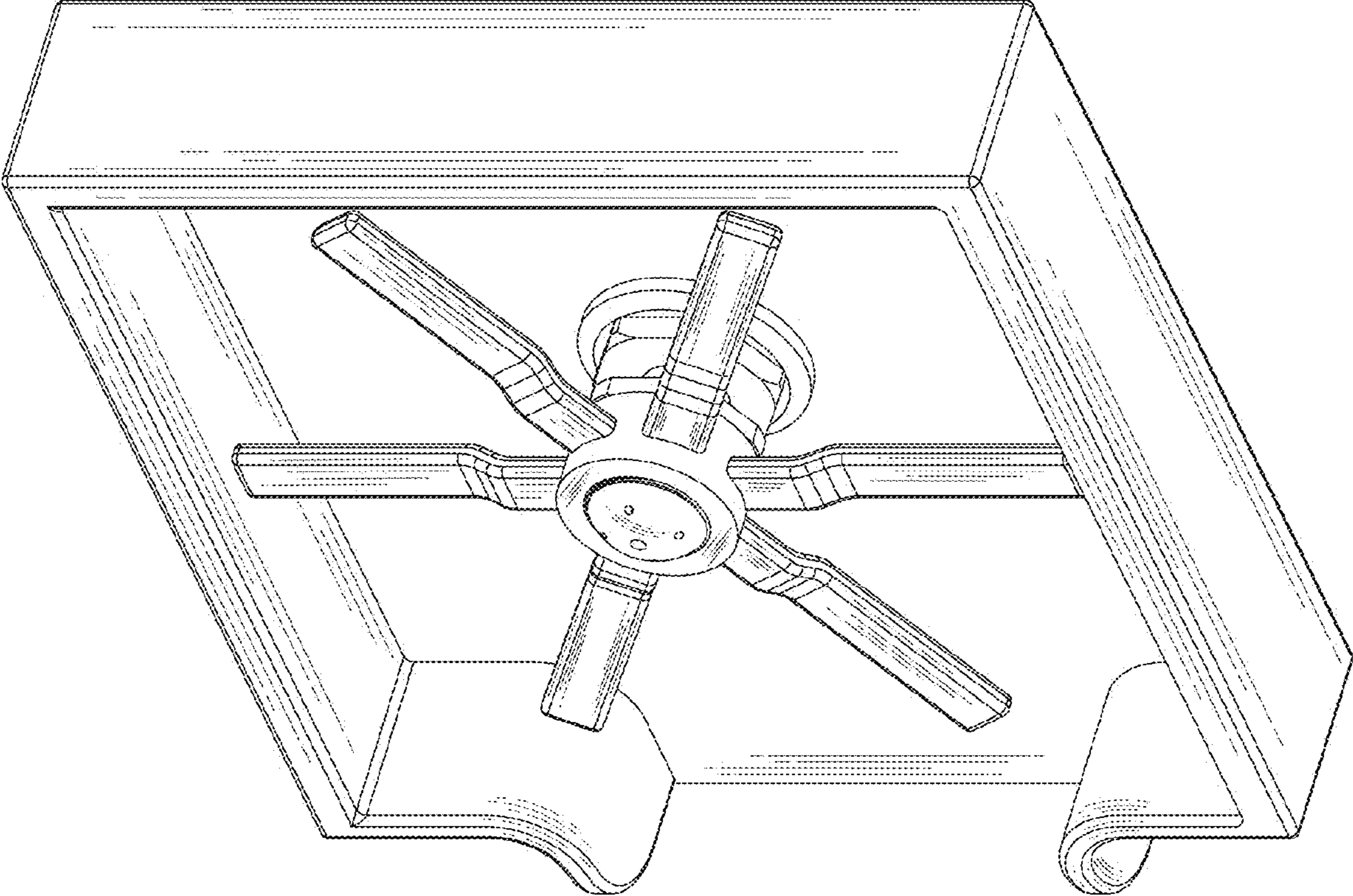


FIG. 16