



US00D982267S

(12) **United States Design Patent**  
**Guo**

(10) **Patent No.:** **US D982,267 S**  
(45) **Date of Patent:** **\*\* Mar. 28, 2023**

(54) **HAT CARE MACHINE**

(71) Applicant: **Min Guo**, Fuzhou (CN)

(72) Inventor: **Min Guo**, Fuzhou (CN)

(\*\*) Term: **15 Years**

(21) Appl. No.: **29/842,234**

(22) Filed: **Jun. 10, 2022**

(51) **LOC (14) Cl.** ..... **15-05**

(52) **U.S. Cl.**  
USPC ..... **D32/1; D32/10**

(58) **Field of Classification Search**  
USPC ..... D32/1, 6, 9-10; D6/323; D7/354, 356;  
D9/435; D23/356; D24/217; D28/38  
CPC . A42C 1/08; D06F 71/34; D06F 18/00; D06F  
17/12; D06F 87/00; A47L 25/00  
See application file for complete search history.

(56) **References Cited**

**U.S. PATENT DOCUMENTS**

2,867,104	A *	1/1959	Thiele	.....	D06F 29/02 68/12.14
D185,492	S *	6/1959	Dreyfuss	.....	D32/1
D227,316	S *	6/1973	MacKenzie	.....	D28/38
D255,756	S *	7/1980	Dybala	.....	D7/360
D299,903	S *	2/1989	Grutzke	.....	D7/360
D302,376	S *	7/1989	Eisele	.....	D7/354
D363,140	S *	10/1995	Accumanno	.....	D28/38
D434,854	S *	12/2000	Muller	.....	D24/218
D436,286	S *	1/2001	Lin	.....	D7/354
D465,282	S *	11/2002	Cecchi	.....	D24/232
D492,822	S *	7/2004	Wang	.....	D32/1
D686,743	S *	7/2013	Gooch	.....	D24/217
9,957,652	B1 *	5/2018	Fouch	.....	D06F 17/12
D834,415	S	11/2018	Luther		

D868,992	S *	12/2019	Ma	.....	D24/217
D884,411	S *	5/2020	Dash	.....	D7/354
D906,035	S *	12/2020	Dash	.....	D7/354
D935,793	S	11/2021	Chiang		
D957,668	S *	7/2022	Ou Yang	.....	D24/217

**OTHER PUBLICATIONS**

Innopaw Automatic Cap Cleaner, available in Amazon.com, customer review oldest date May 13, 2022 [online], [site visited Dec. 2, 2022]. Available from the internet URL: [https://www.amazon.com/INNPAW-Automatic-Cleaner-Cleaning-Baseball/dp/B09TZL5G2R/ref=asc\\_df\\_B09TZL5G2R/](https://www.amazon.com/INNPAW-Automatic-Cleaner-Cleaning-Baseball/dp/B09TZL5G2R/ref=asc_df_B09TZL5G2R/) (Year: 2022).\*

\* cited by examiner

*Primary Examiner* — Jennifer Rivard  
*Assistant Examiner* — Jennylou M Binas  
(74) *Attorney, Agent, or Firm* — Jeenam Park

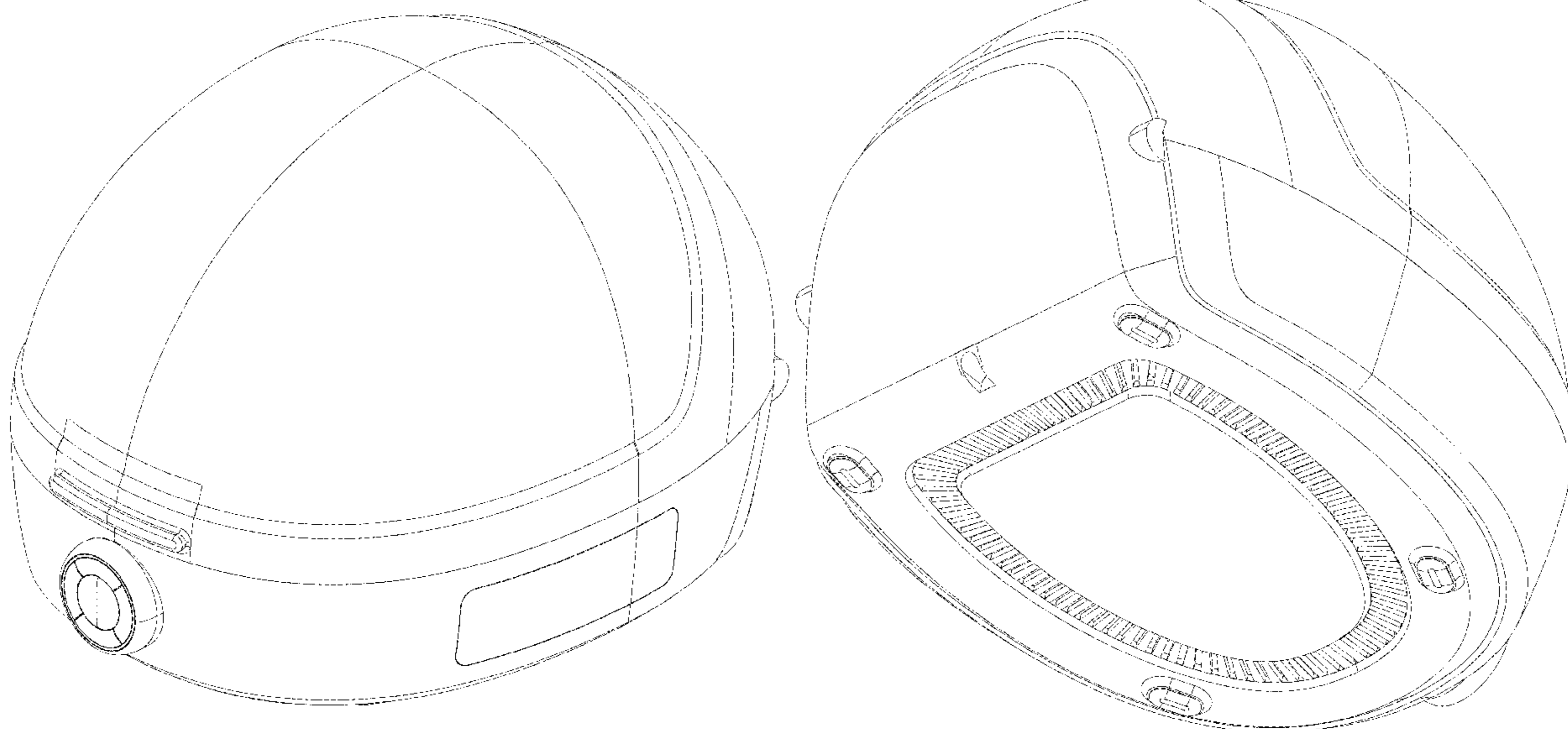
(57) **CLAIM**

The ornamental design for a hat care machine, as shown and described.

**DESCRIPTION**

FIG. 1 is a perspective view of a hat care machine, showing my new design;  
FIG. 2 is another perspective view thereof;  
FIG. 3 is a front view thereof;  
FIG. 4 is a rear view thereof;  
FIG. 5 is a left side view thereof;  
FIG. 6 is a right side view thereof;  
FIG. 7 is a top plan view thereof; and,  
FIG. 8 is a bottom plan view thereof.  
The broken lines shown in the drawings depict portions of the hat care machine that form no part of the claimed design.

**1 Claim, 8 Drawing Sheets**



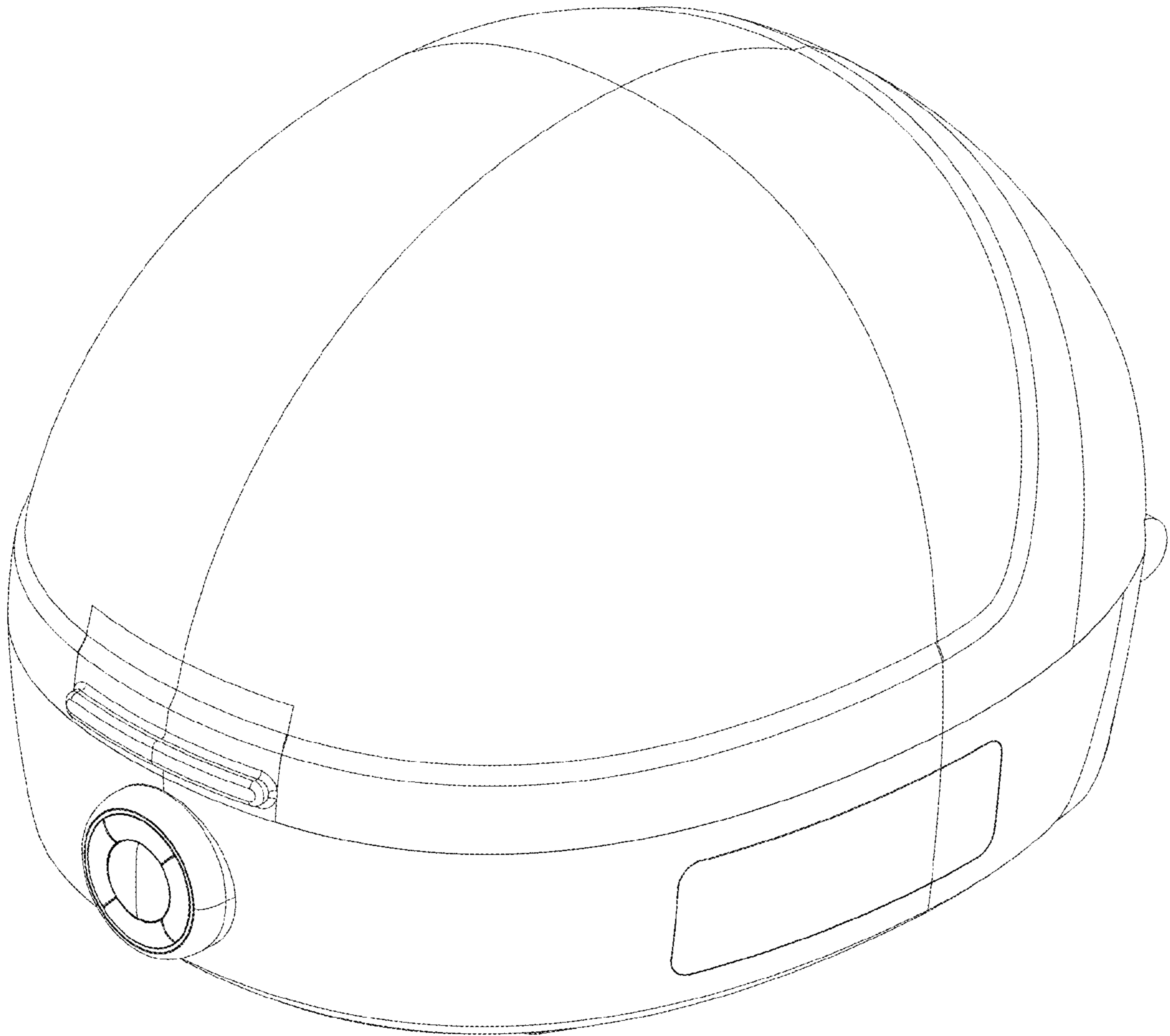


FIG. 1

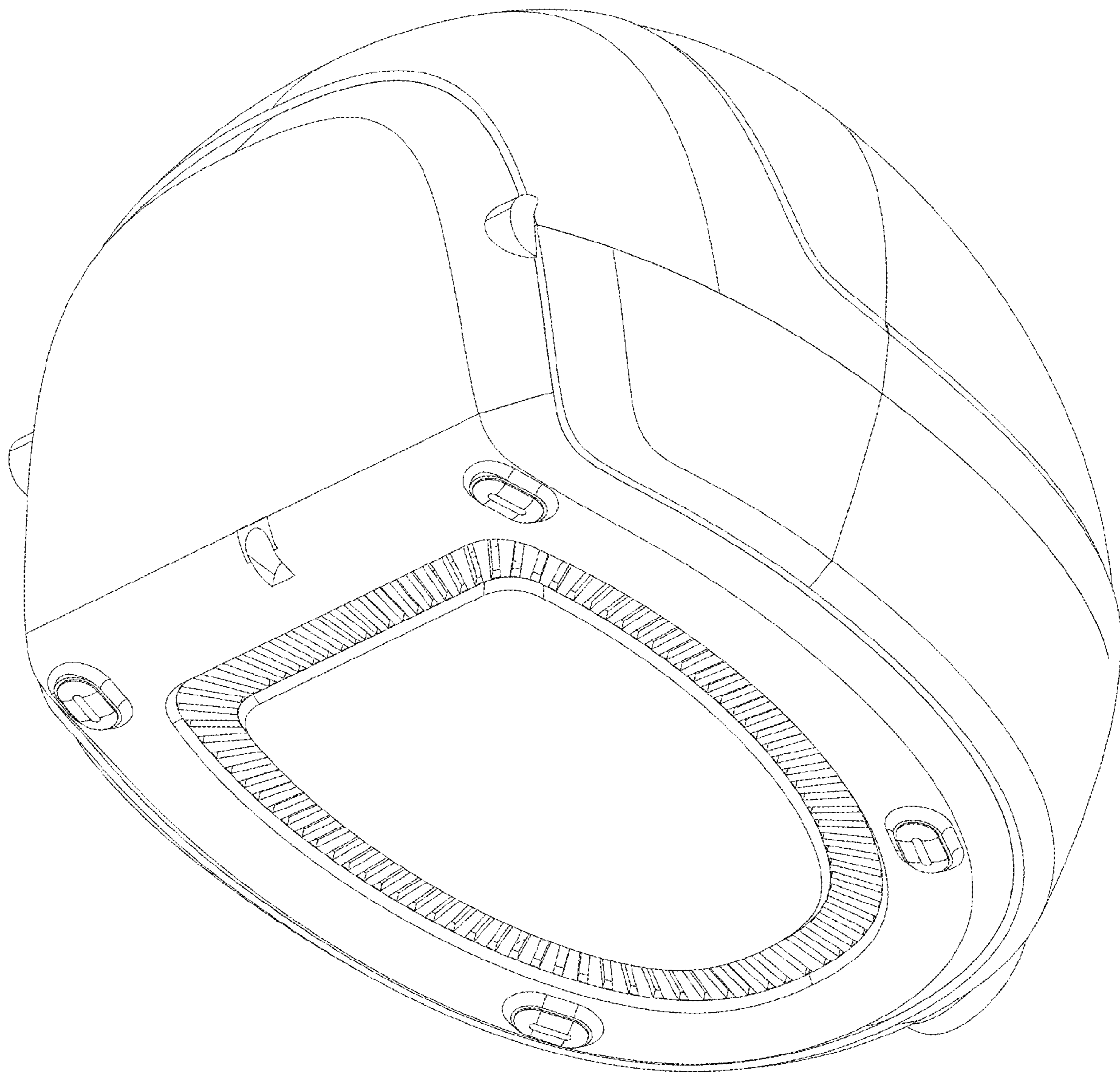


FIG. 2

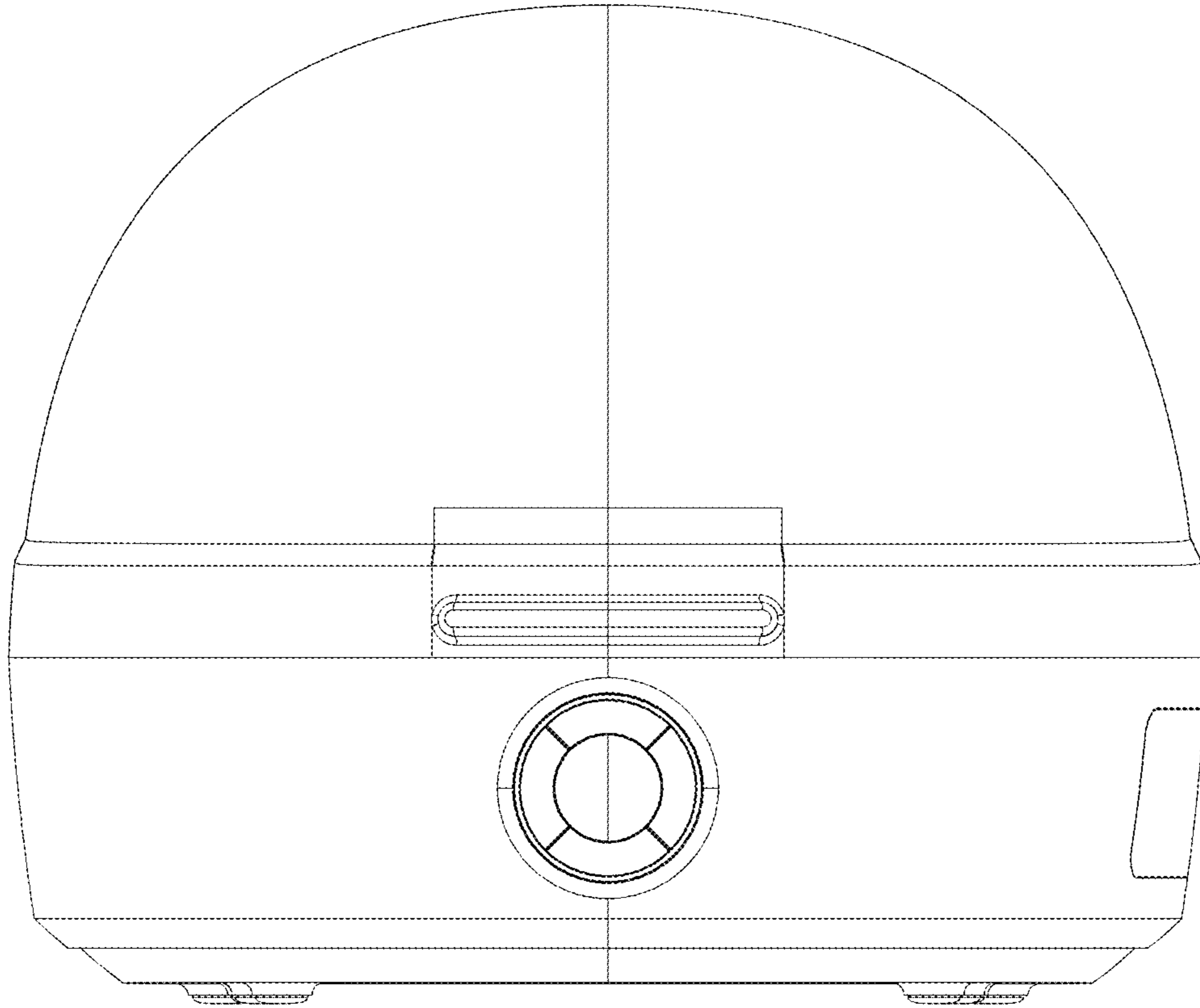


FIG. 3



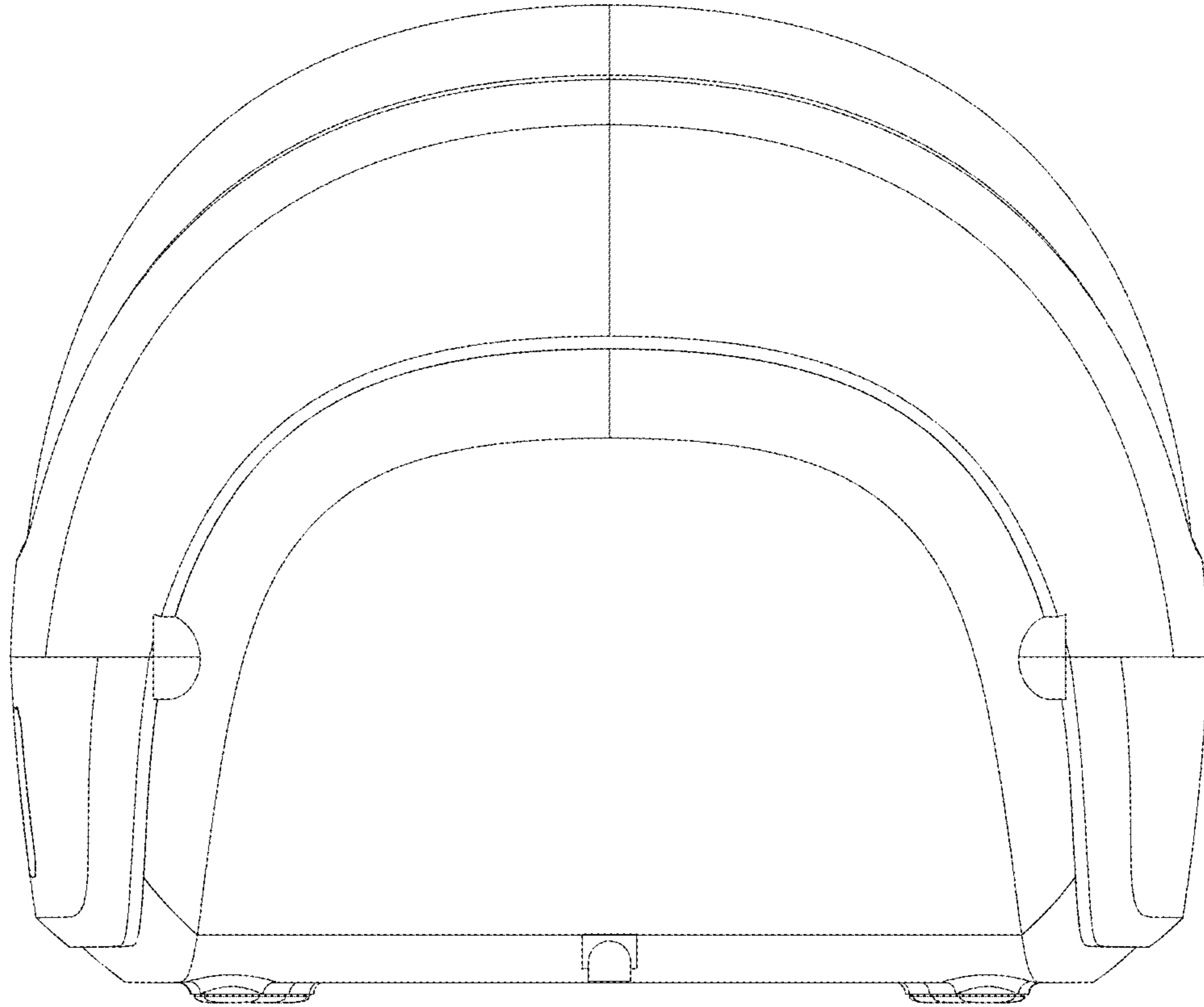


FIG. 4

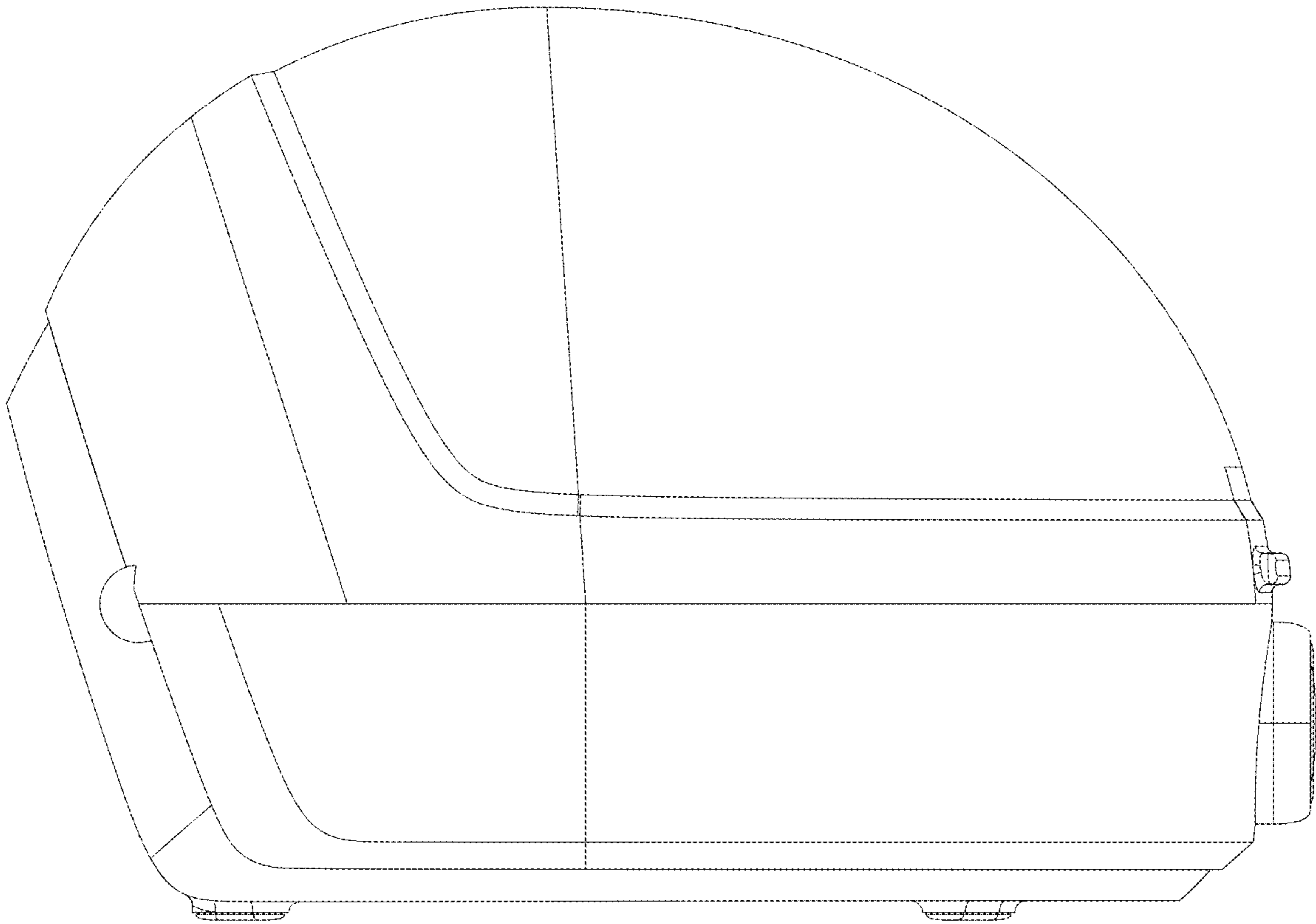


FIG. 5

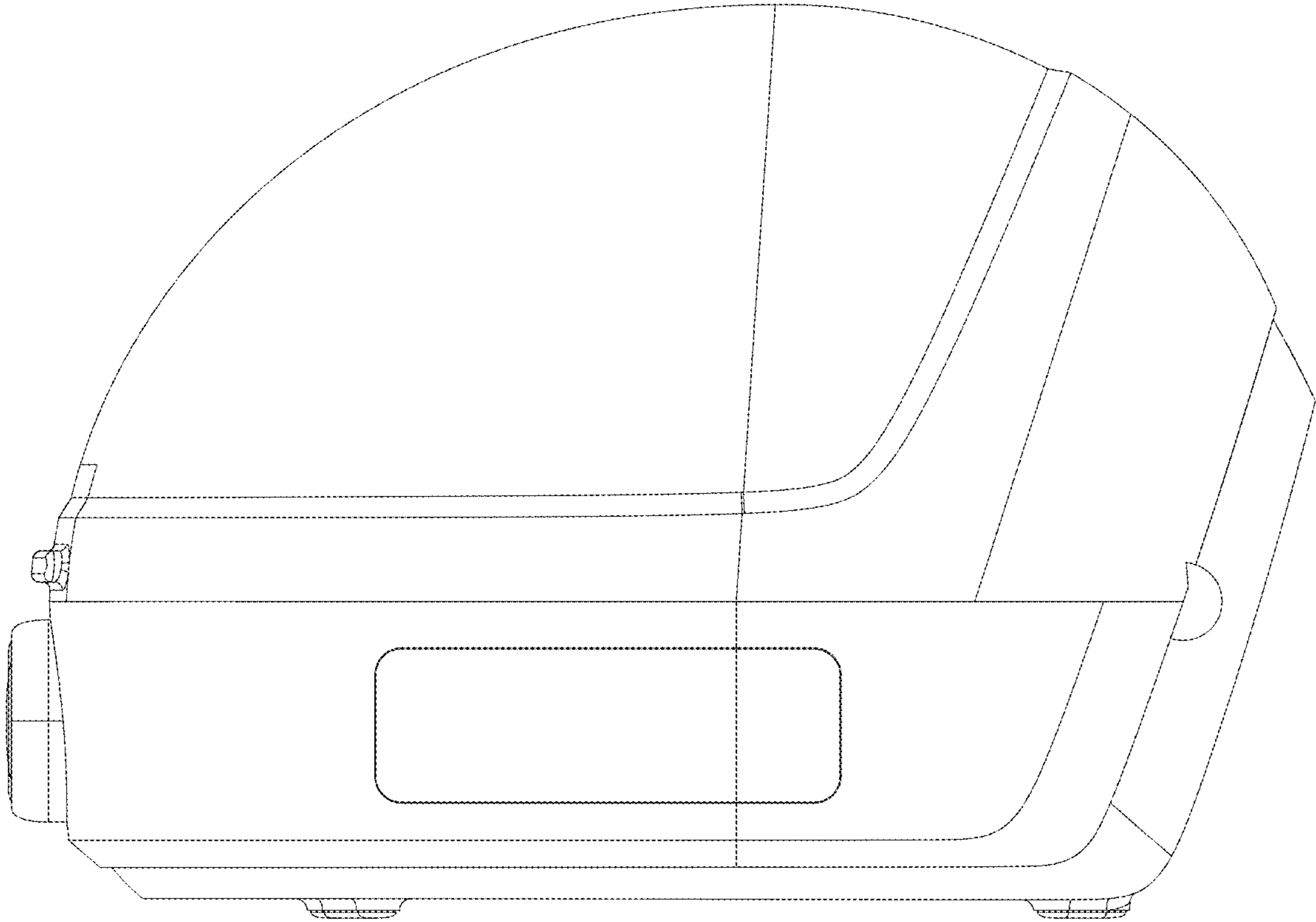


FIG. 6

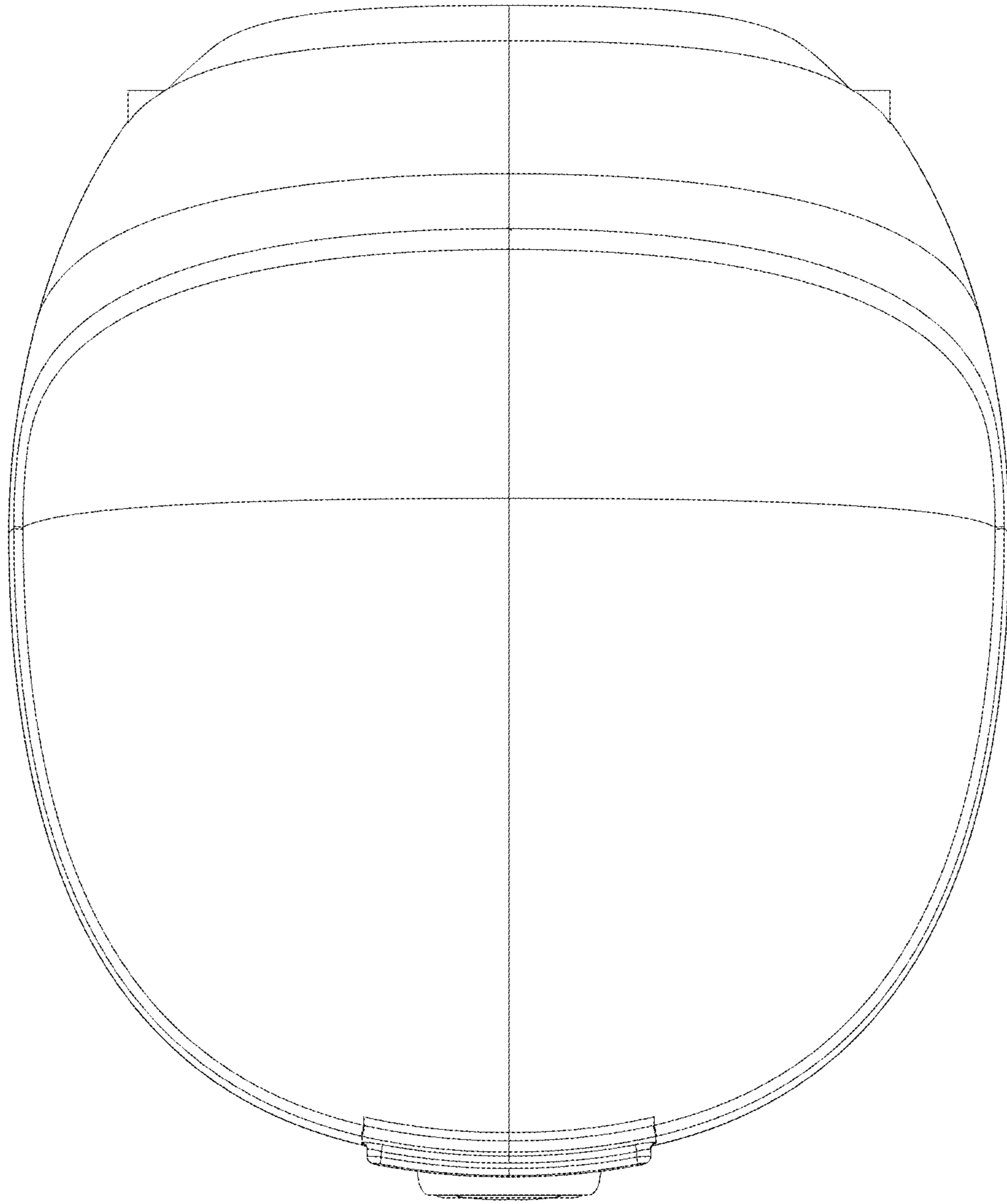


FIG. 7



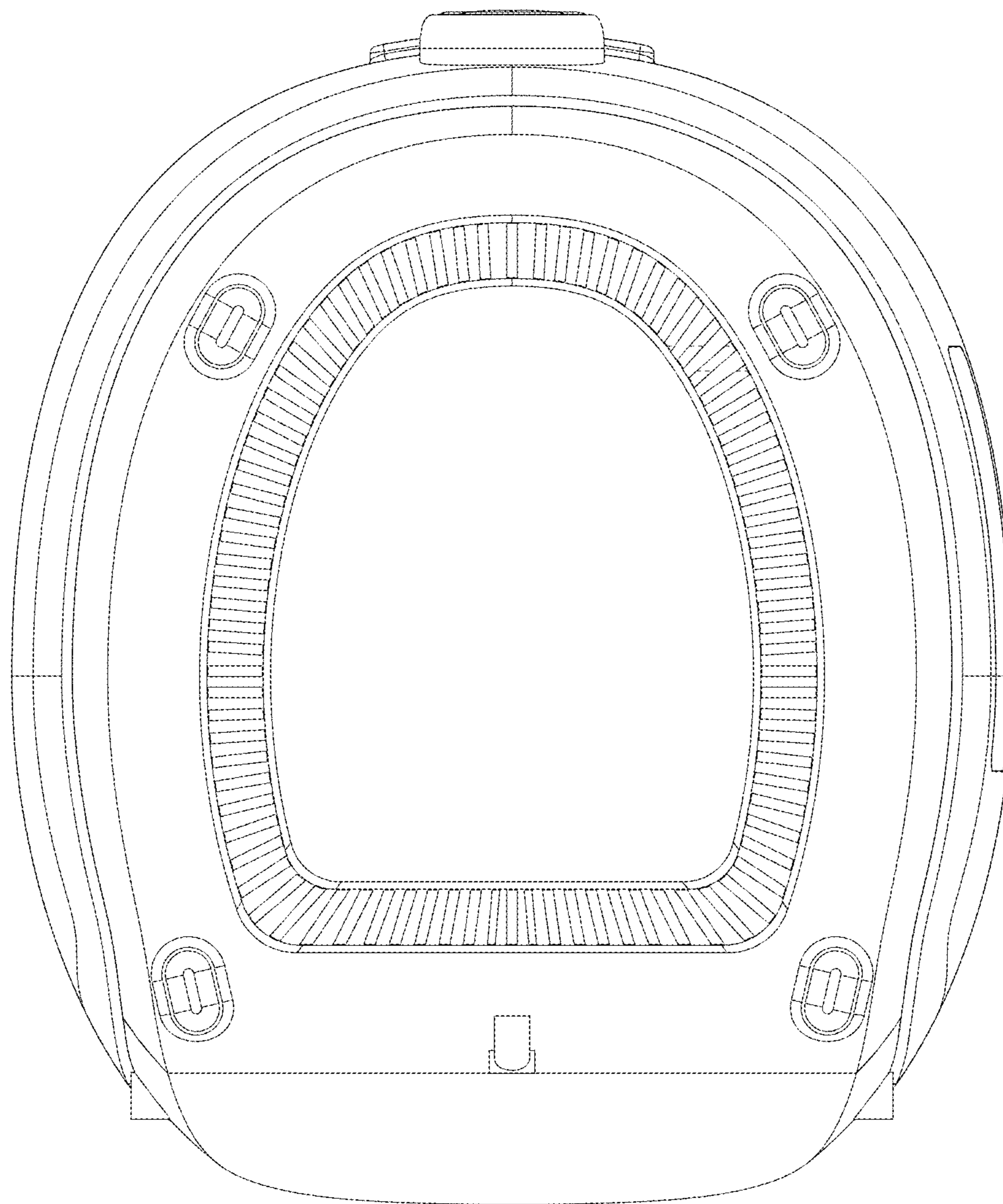


FIG. 8