



US00D982266S

(12) **United States Design Patent**  
**Pomathios et al.**

(10) **Patent No.:** **US D982,266 S**  
(45) **Date of Patent:** **\*\* Mar. 28, 2023**

- (54) **CLEANING-AGENT DISPENSER**
- (71) Applicants: **Willy Lionel Pomathios**, Arzier (CH);  
**Marcello Dante Monti**, Montreux (CH)
- (72) Inventors: **Willy Lionel Pomathios**, Arzier (CH);  
**Marcello Dante Monti**, Montreux (CH)
- (73) Assignee: **AQUAMA SARL**, Tolochenaz (CH)
- (\*\*) Term: **15 Years**

D894,658 S *	9/2020	Davenport	.....	D7/311
D932,238 S *	10/2021	Breivik	.....	D7/384
D936,406 S *	11/2021	Lissoni	.....	D7/309
D939,875 S *	1/2022	Rubin	.....	D7/311
D941,624 S *	1/2022	Abu-Saymeh	.....	D7/309
D941,625 S *	1/2022	Choi	.....	D7/309
D945,201 S *	3/2022	Nalen	.....	D7/311
11,337,545 B1 *	5/2022	Davies	.....	A47J 31/60
D955,797 S *	6/2022	Nalen	.....	D7/309
D966,769 S *	10/2022	Jiang	.....	D7/309
D966,771 S *	10/2022	Kim	.....	D7/311

(Continued)

- (21) Appl. No.: **29/765,582**
- (22) Filed: **Jan. 9, 2021**
- (51) **LOC (14) Cl.** ..... **15-05**
- (52) **U.S. Cl.**  
USPC ..... **D32/1**
- (58) **Field of Classification Search**  
USPC ..... D7/309, 311, 399; D23/207; D32/1, 35  
CPC ..... A47J 31/3676; A47J 31/60; A47J 31/407  
See application file for complete search history.

**OTHER PUBLICATIONS**

sg.aquama.com [https://sg.aquama.com/en/shop/44-7-falcon-s.html#/29-delivery\\_date-october\\_november\\_2022/32-color-titanium](https://sg.aquama.com/en/shop/44-7-falcon-s.html#/29-delivery_date-october_november_2022/32-color-titanium) (Year: 2021).\*

(Continued)

*Primary Examiner* — Kevin K Rudzinski  
*Assistant Examiner* — Richard E Yenchesky  
(74) *Attorney, Agent, or Firm* — Andrew Wilford

(56) **References Cited**

**U.S. PATENT DOCUMENTS**

D209,127 S *	10/1967	Martin	.....	D7/309
D277,070 S *	1/1985	Elkerbout	.....	D7/309
D316,795 S *	5/1991	Brewer	.....	D7/308
D324,746 S *	3/1992	Accattato	.....	D32/1
D472,022 S *	3/2003	Thau	.....	D32/1
D600,492 S *	9/2009	Hammad	.....	D7/311
D669,154 S *	10/2012	Choi	.....	D23/207
D682,599 S *	5/2013	Bolzicco	.....	D7/311
D775,887 S *	1/2017	Atkin	.....	D7/311
D782,242 S *	3/2017	Lee	.....	D7/311
D817,061 S *	5/2018	Lissoni	.....	D7/309
D823,039 S *	7/2018	Grassia	.....	D7/311
D834,870 S *	12/2018	Steiner	.....	D7/311
D862,143 S *	10/2019	Stefanoni	.....	D7/311
D878,846 S *	3/2020	Kestenbaum	.....	D7/311
D878,857 S *	3/2020	Ökmen	.....	D7/399
D883,589 S *	5/2020	Reches	.....	D32/1

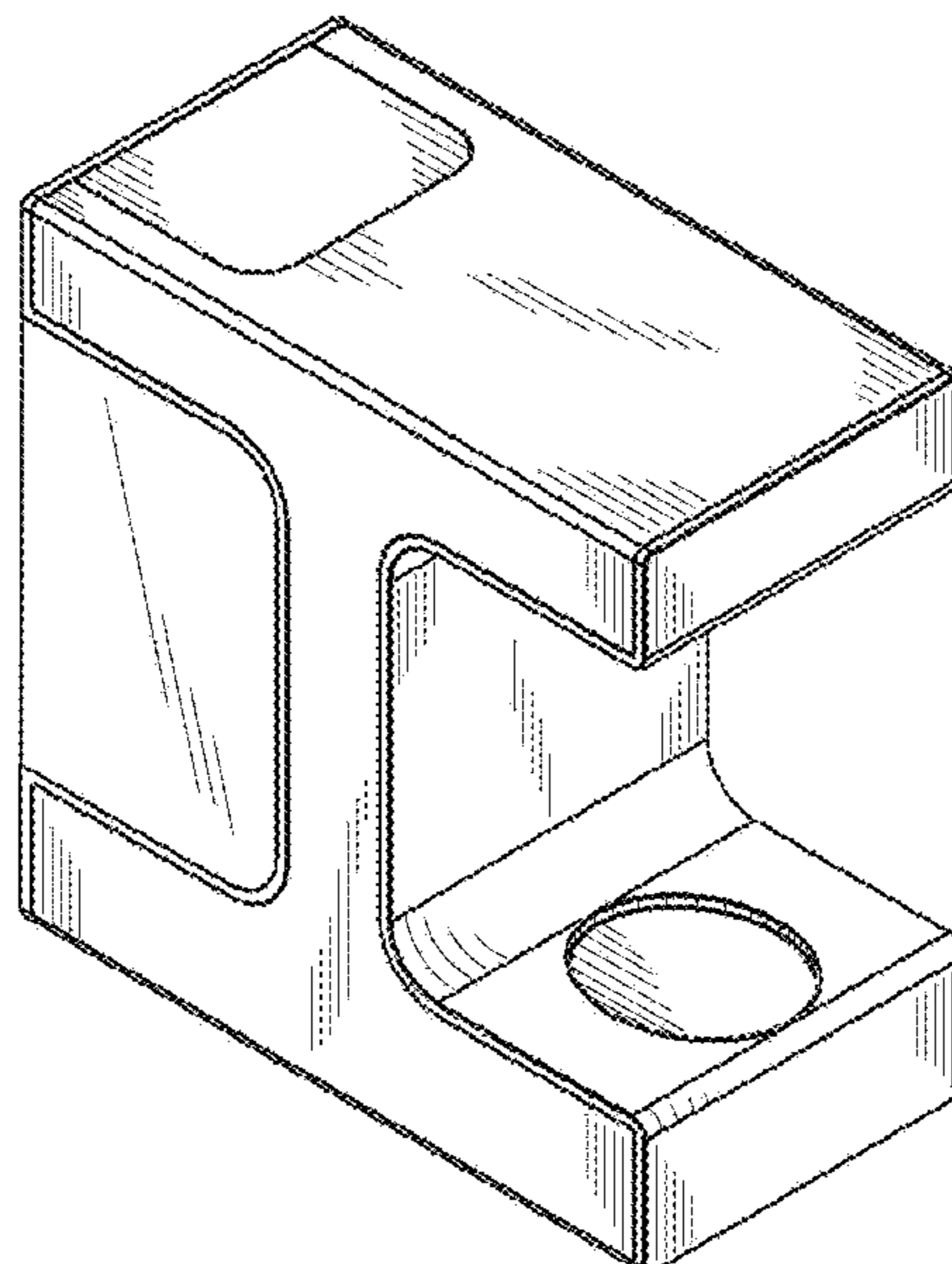
(57) **CLAIM**

The ornamental design for a cleaning-agent dispenser, as shown and described.

**DESCRIPTION**

FIG. 1 is a perspective view of the front side of the invention from above and to the left;  
FIG. 2 is a perspective view of the rear side from above and to the right;  
FIG. 3 is a left-side elevational view;  
FIG. 4 is a right-side elevational view mirror symmetrical to FIG. 3;  
FIG. 5 is a front-side elevational view;  
FIG. 6 is a rear-side elevational view; and,  
FIG. 7 is a top view.

**1 Claim, 7 Drawing Sheets**



(56)

**References Cited**

U.S. PATENT DOCUMENTS

2001/0046547 A1\* 11/2001 Goldston ..... F16M 11/42  
426/594  
2015/0289713 A1\* 10/2015 Tahincioglu ..... A47J 31/407  
99/295  
2022/0071435 A1\* 3/2022 Tseng ..... G06K 7/10722  
2022/0183500 A1\* 6/2022 Zhao ..... A47J 31/3676

OTHER PUBLICATIONS

You.tube.com Falcon S <https://www.youtube.com/watch?v=ulL5H3Eu8QQ> (Year: 2021).\*

\* cited by examiner

Fig. 1

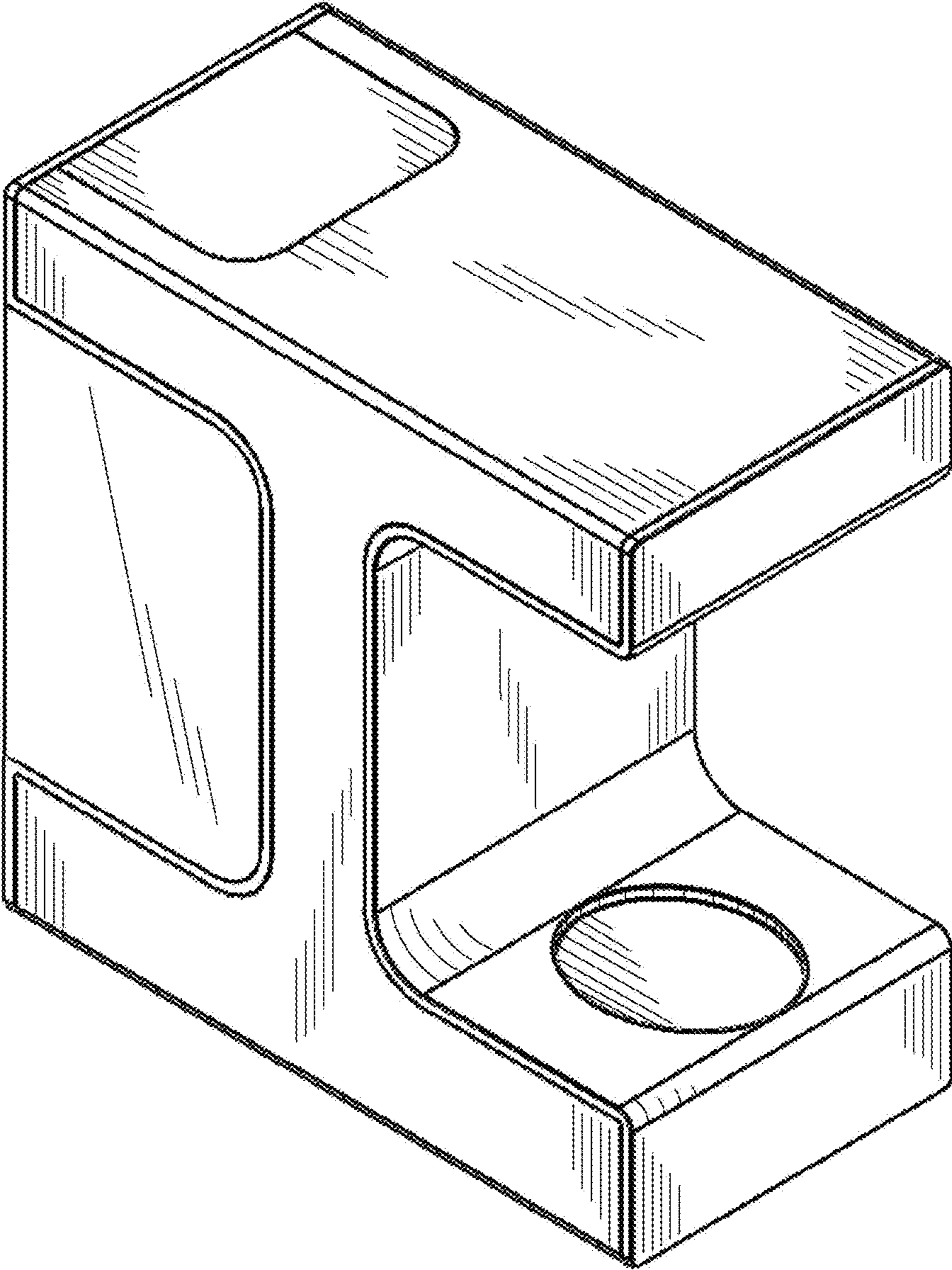


Fig. 2

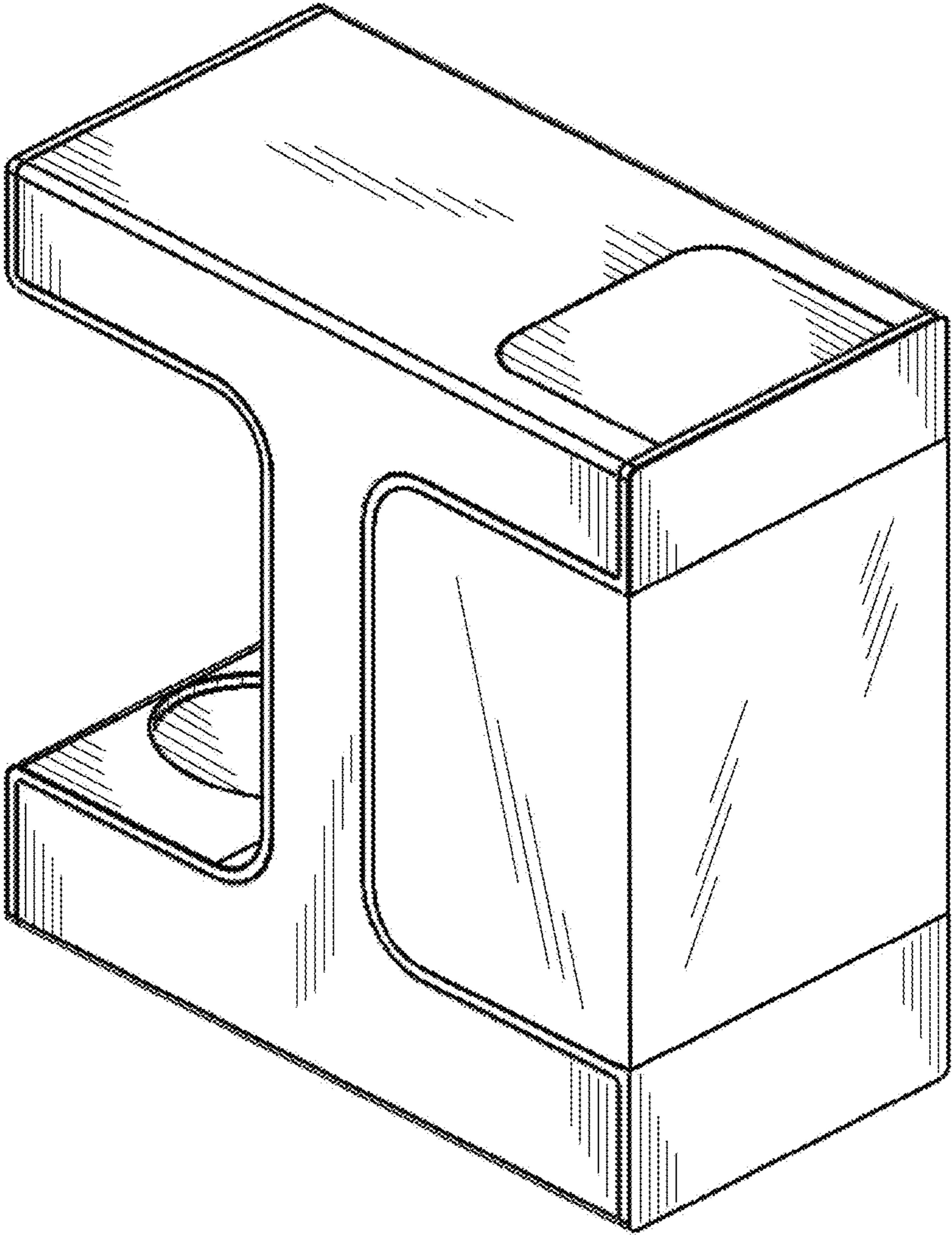


Fig. 3

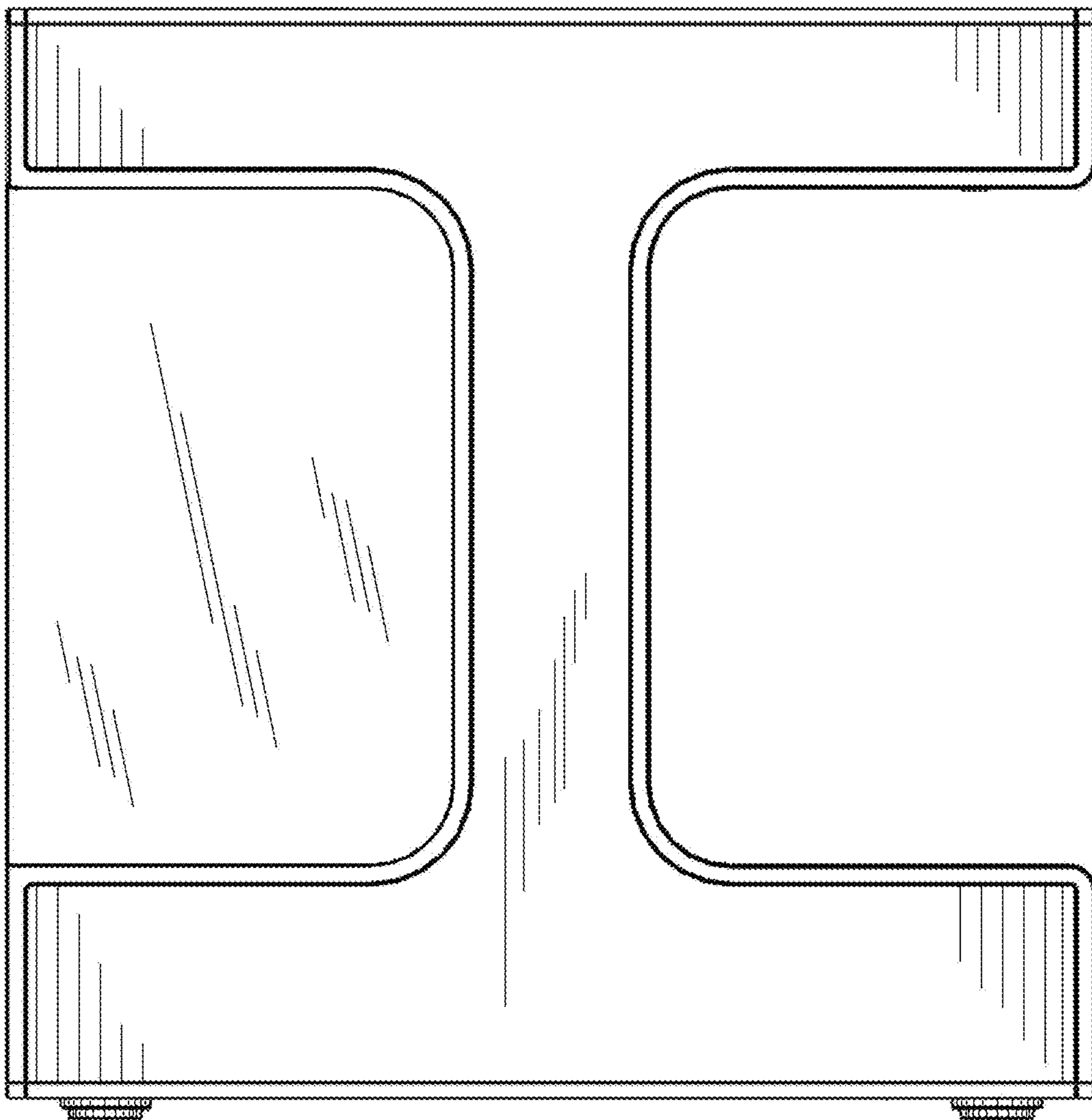
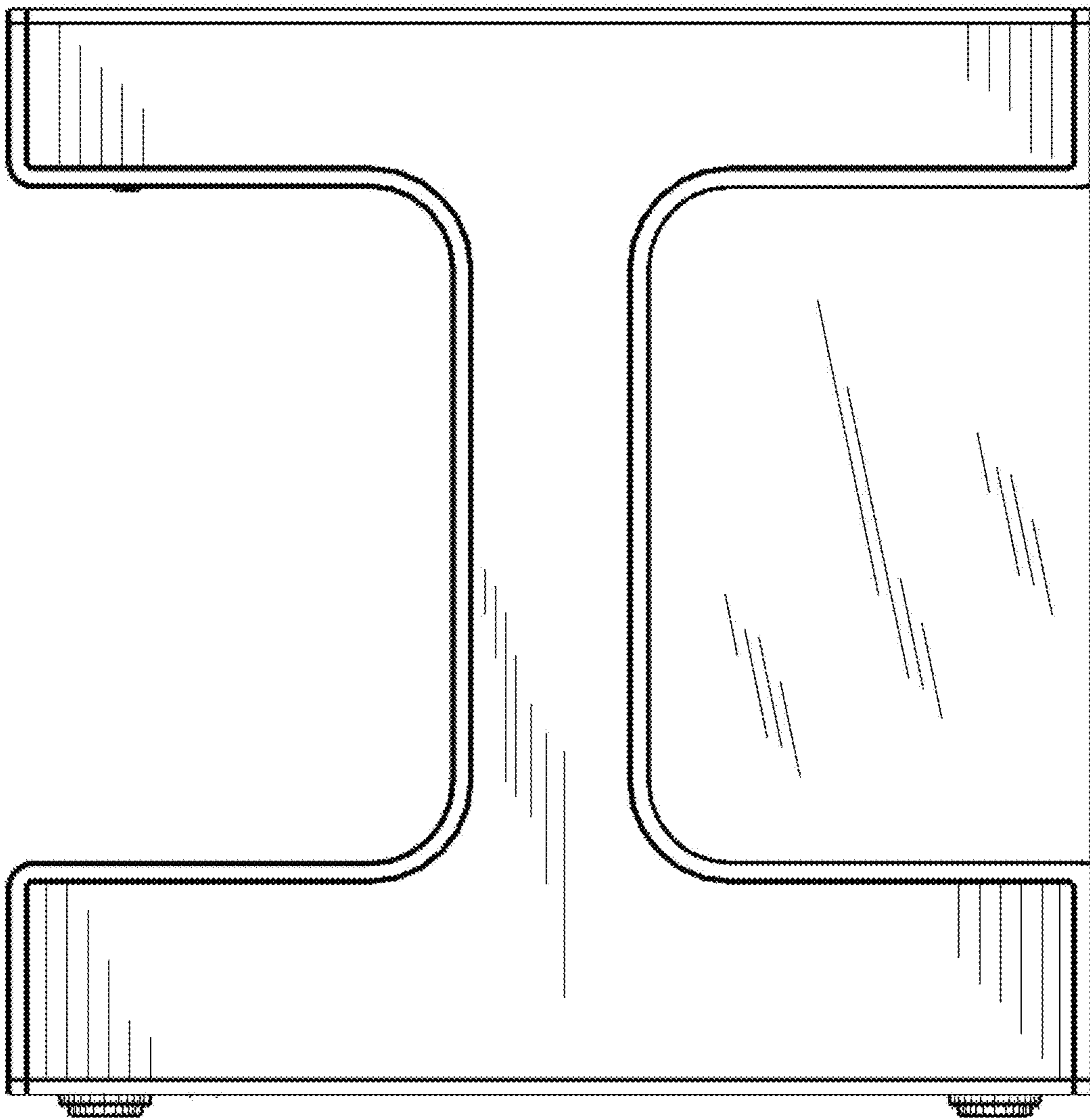
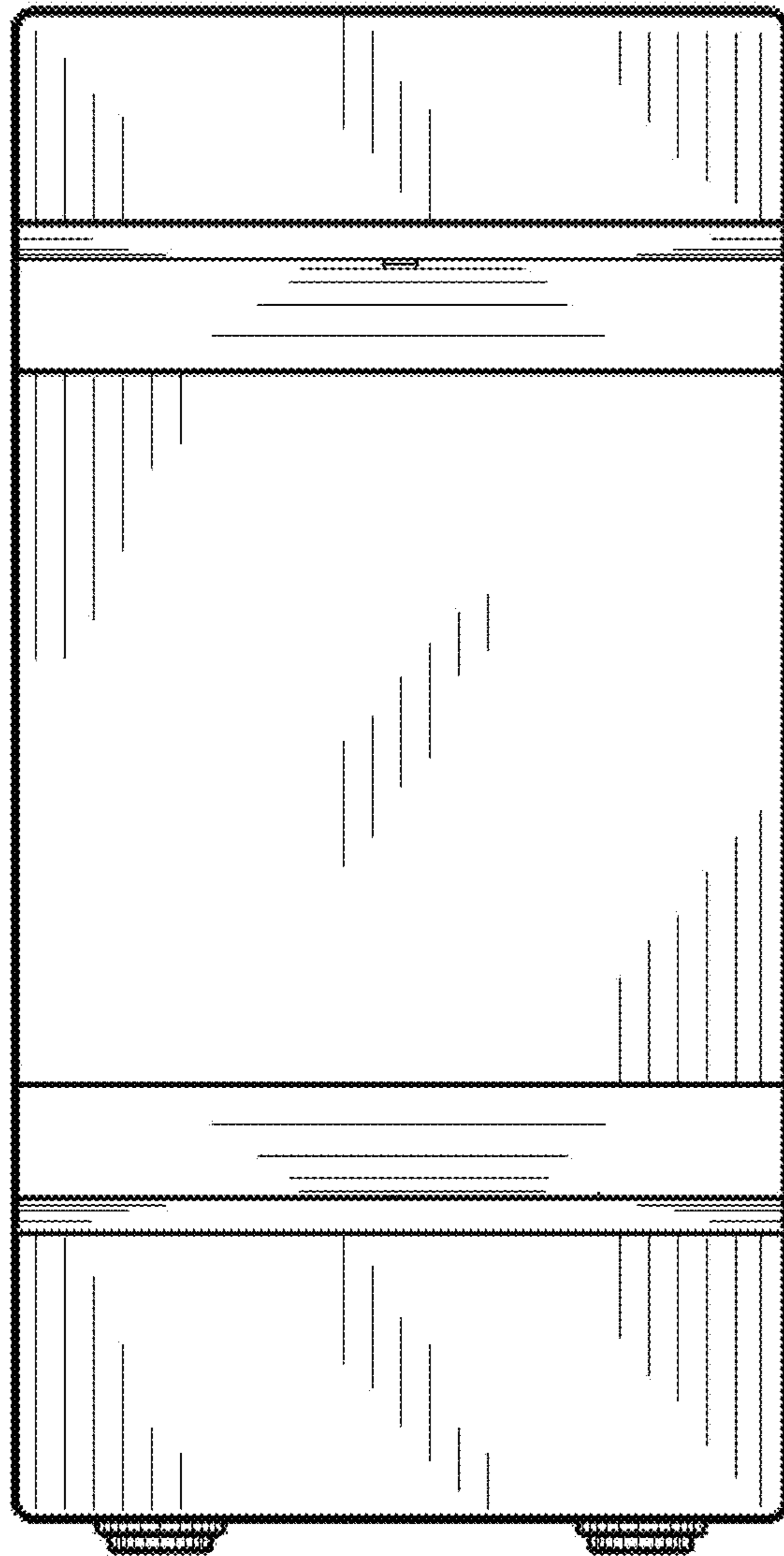


Fig. 4



**Fig. 5**



**Fig. 6**

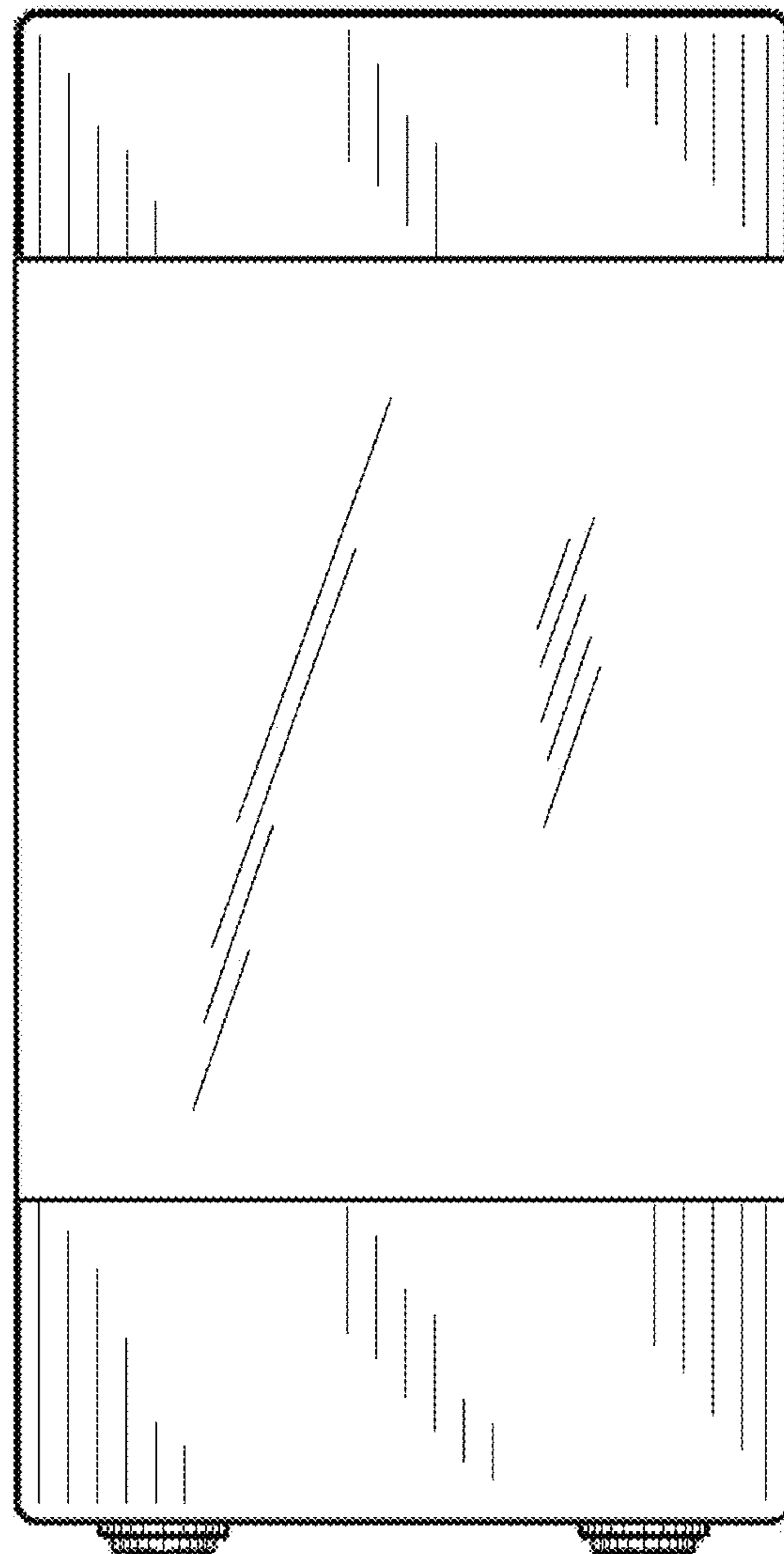




Fig. 7

