



US00D982264S

(12) **United States Design Patent** (10) **Patent No.:** **US D982,264 S**
Xu (45) **Date of Patent:** **** Mar. 28, 2023**

(54) **CAT CLIMBING FRAME**

(71) Applicant: **Binjia Xu**, Jiangsu (CN)

(72) Inventor: **Binjia Xu**, Jiangsu (CN)

(**) Term: **15 Years**

(21) Appl. No.: **29/854,514**

(22) Filed: **Sep. 26, 2022**

(51) **LOC (14) Cl.** **30-99**

(52) **U.S. Cl.**
USPC **D30/160**

(58) **Field of Classification Search**
USPC D30/118, 158, 160; D3/304; D21/520,
D21/811, 814, 686
CPC A01K 1/0245; A01K 5/0114; A01K 15/02;
A01K 15/04; A01K 15/024; A01K
15/025; A01K 15/027

See application file for complete search history.

(56) **References Cited**

U.S. PATENT DOCUMENTS

D257,293 S *	10/1980	Michalski	D30/158
D261,186 S *	10/1981	Michalski	D30/158
D397,832 S *	9/1998	Allen	D30/118
D406,678 S *	3/1999	Rittenhouse	A01K 15/024
				D30/118
D846,206 S *	4/2019	He	D30/160
D846,818 S *	4/2019	He	D30/160
D883,585 S *	5/2020	Song	D30/160
D883,586 S *	5/2020	Song	D30/160
D884,991 S *	5/2020	Song	D30/160
D885,691 S *	5/2020	Song	D30/160

D886,398 S *	6/2020	Song	D30/160
D891,711 S *	7/2020	He	D30/160
D891,712 S *	7/2020	He	D30/160
D906,605 S *	12/2020	Roost	D30/160
D920,599 S *	5/2021	Guo	D30/160
D920,600 S *	5/2021	Guo	D30/160
D941,535 S *	1/2022	Guo	D30/160
D942,093 S	1/2022	Huang		
D942,712 S	2/2022	Huang		
2014/0033987 A1 *	2/2014	Hoffman	A01K 15/02
				119/706
2018/0199538 A1 *	7/2018	Amicarelli	A01K 1/0107
2019/0230896 A1 *	8/2019	Goldman	A01K 1/035

* cited by examiner

Primary Examiner — Aula Soroush

(74) *Attorney, Agent, or Firm* — ScienBiziP, P.C.

(57) **CLAIM**

The ornamental design for a cat climbing frame, as shown and described.

DESCRIPTION

FIG. 1 is a front, right and top perspective view of a cat climbing frame, showing my design.

FIG. 2 is a rear, right and bottom perspective view thereof.

FIG. 3 is a front elevation view thereof.

FIG. 4 is a rear elevation view thereof.

FIG. 5 is a left side elevation view thereof.

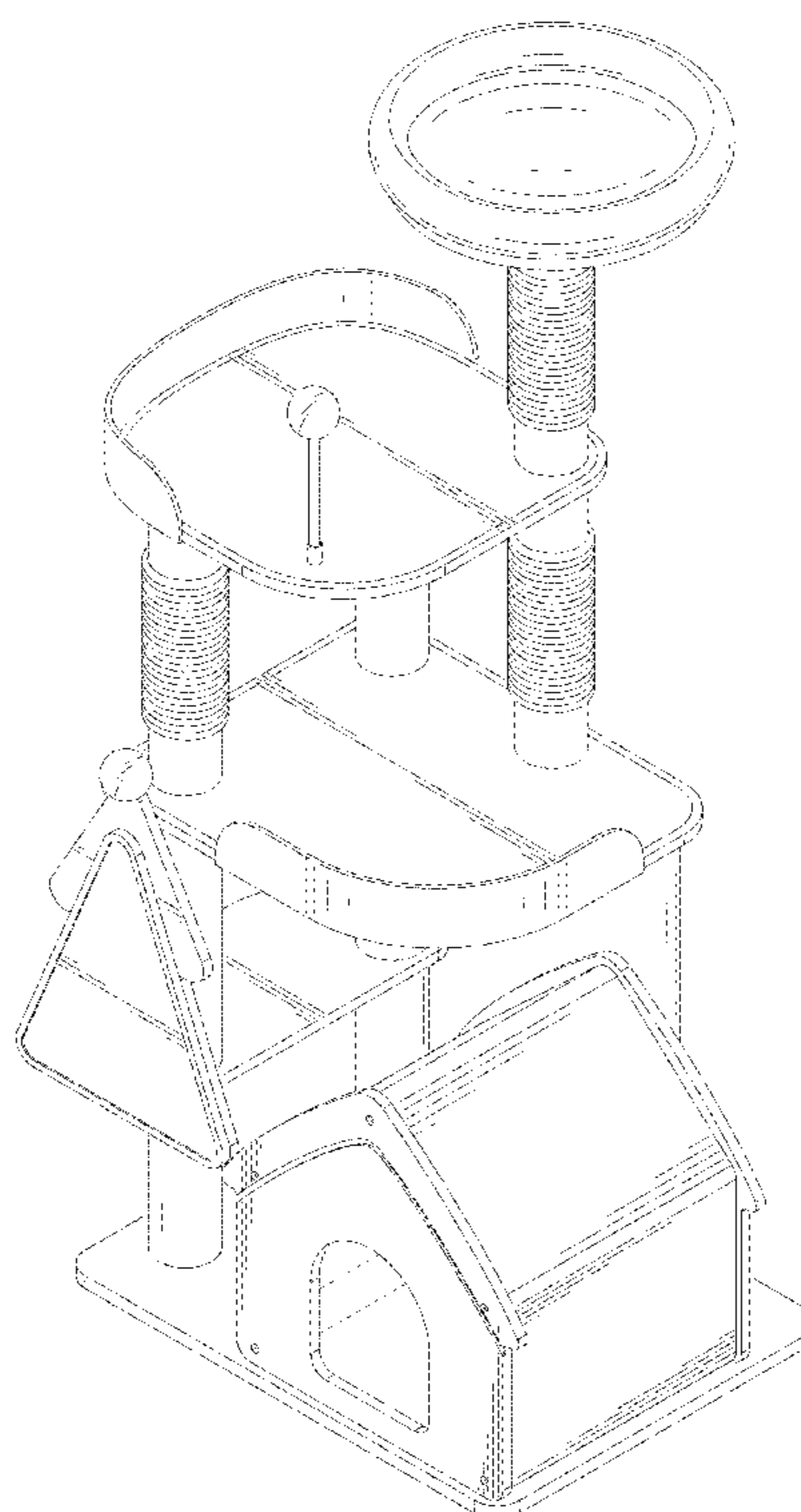
FIG. 6 is a right side elevation view thereof.

FIG. 7 is a top plan view thereof; and,

FIG. 8 is a bottom plan view thereof.

The broken lines depict portions of the cat climbing frame that form no part of the claimed design.

1 Claim, 8 Drawing Sheets



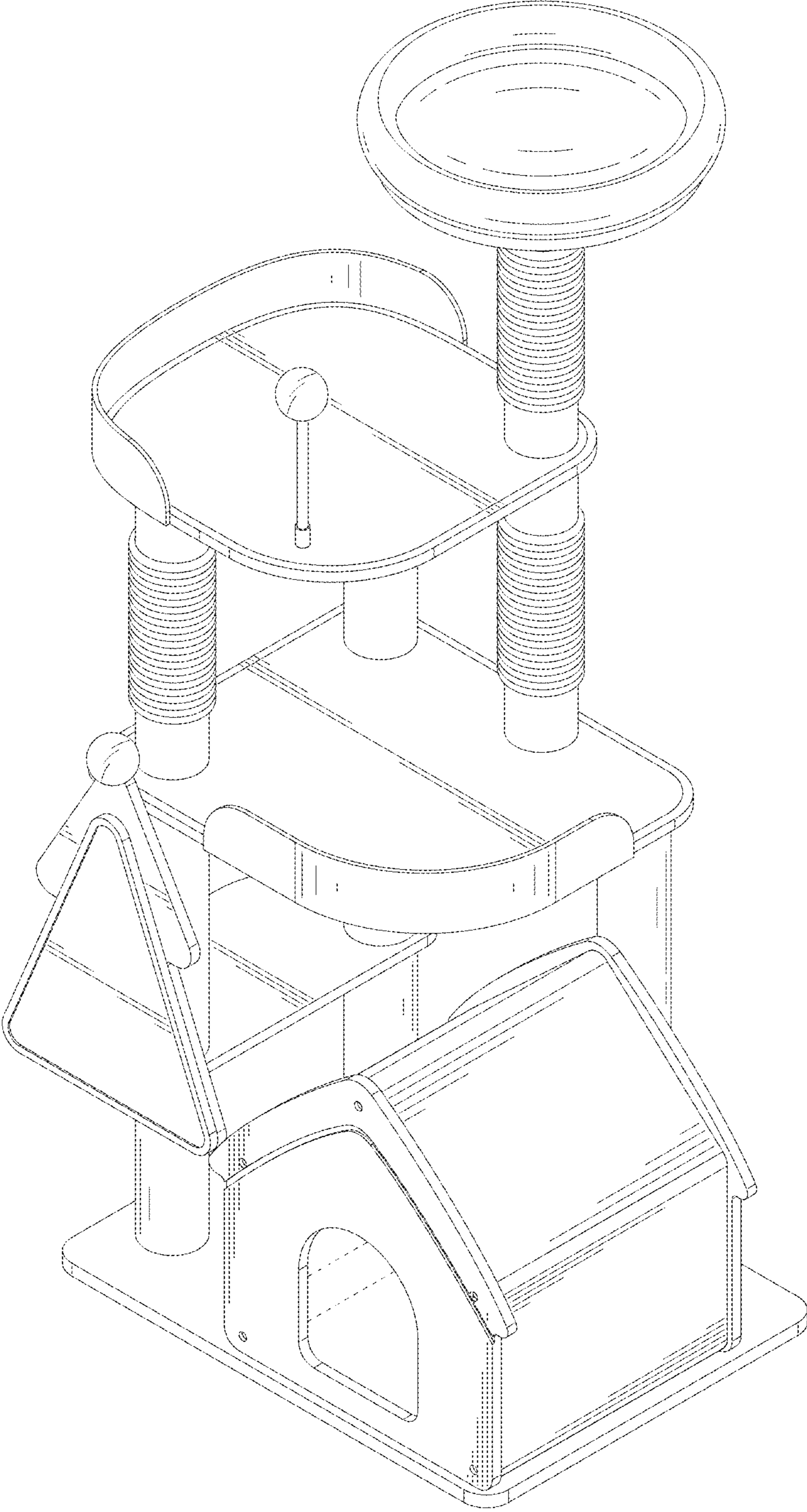


FIG.1

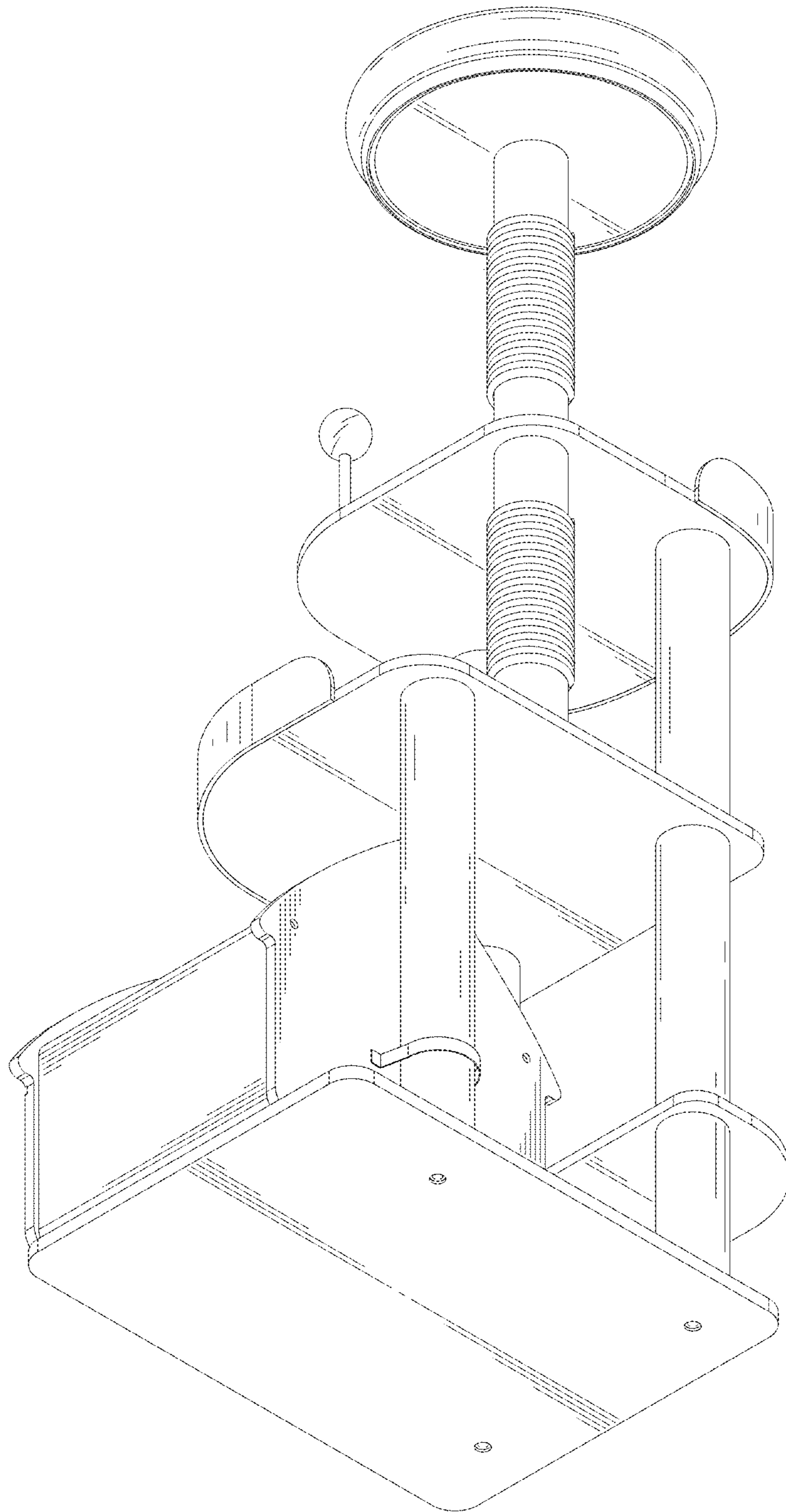


FIG. 2

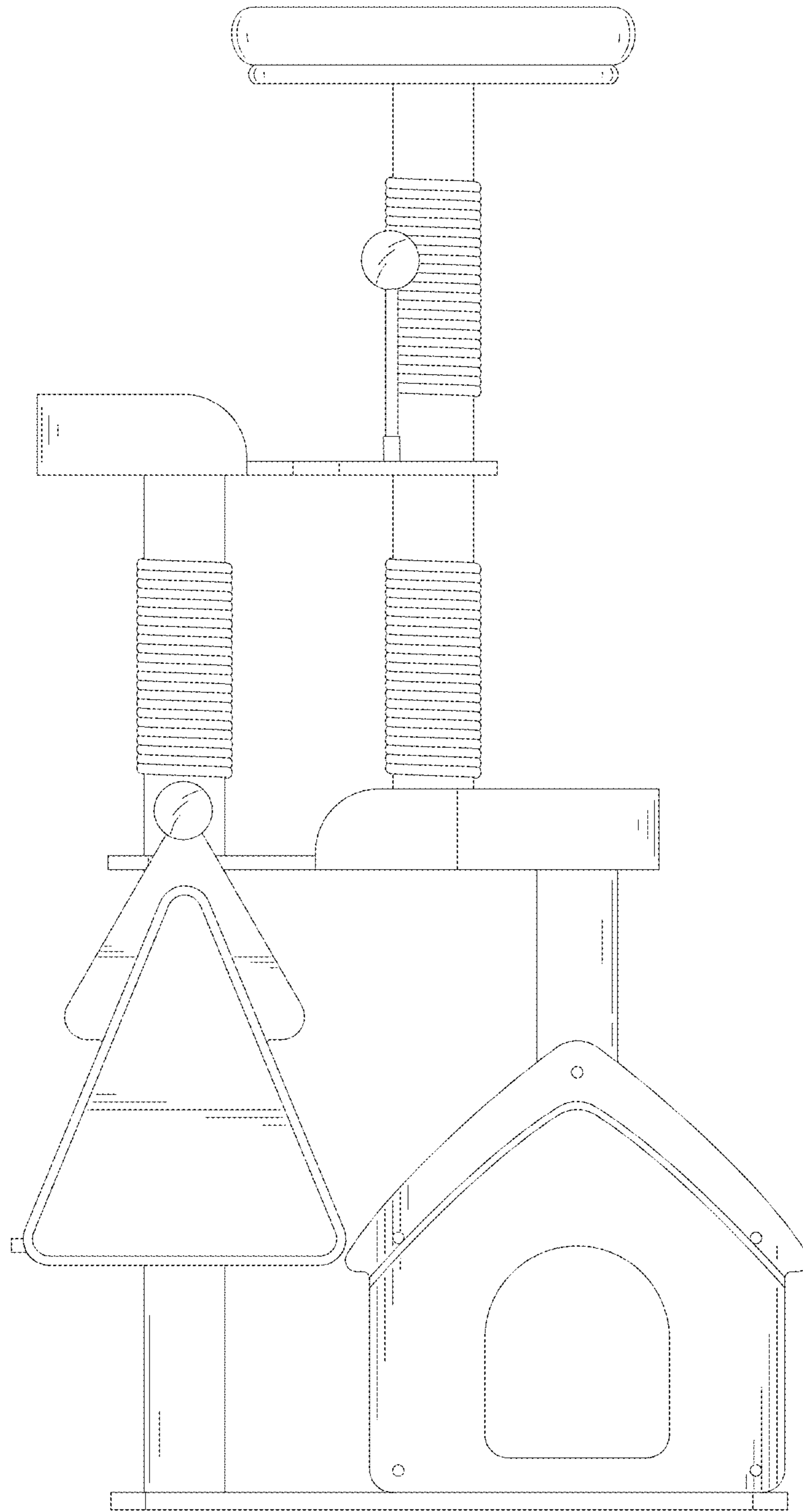


FIG. 3

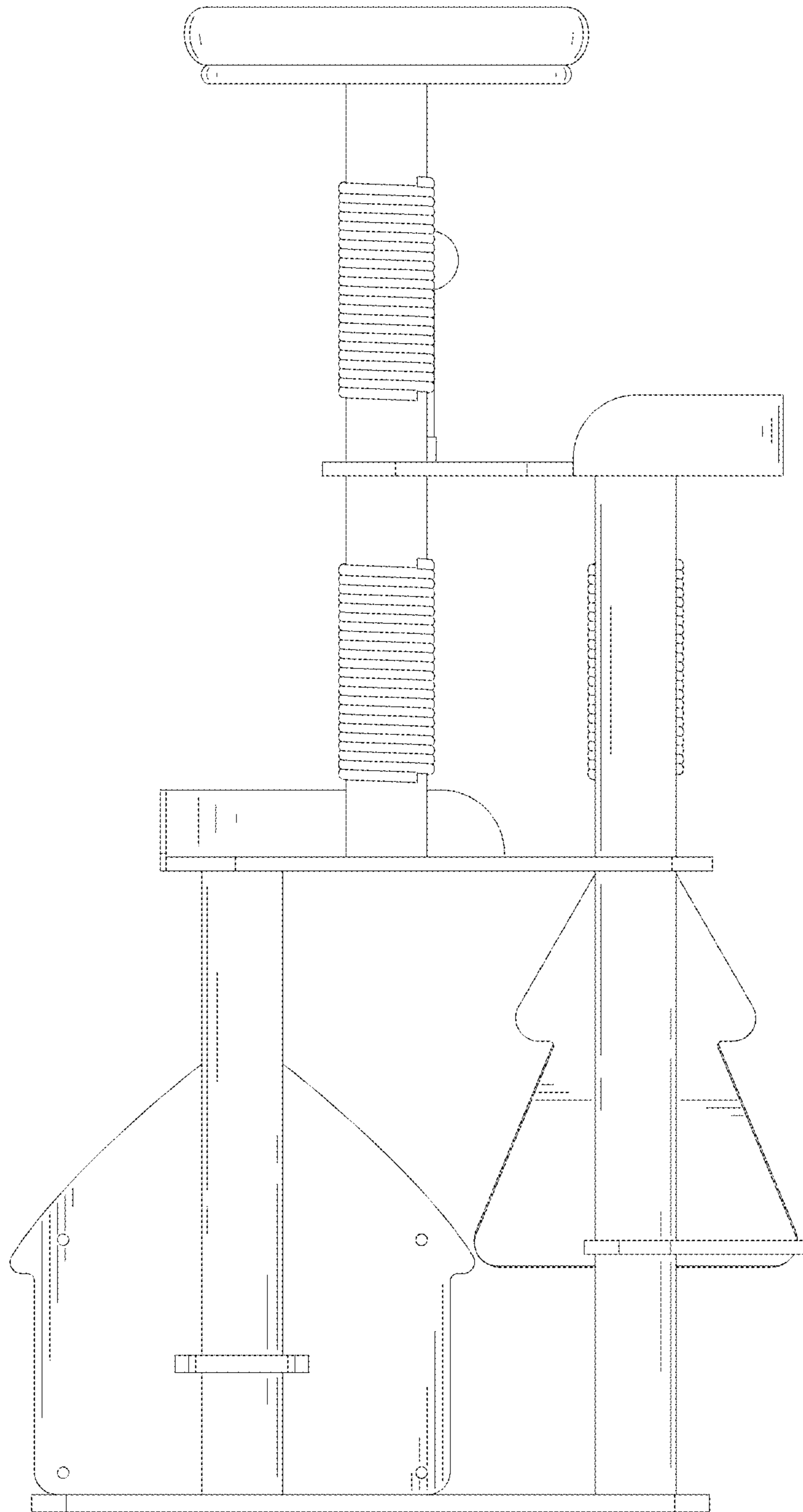


FIG.4

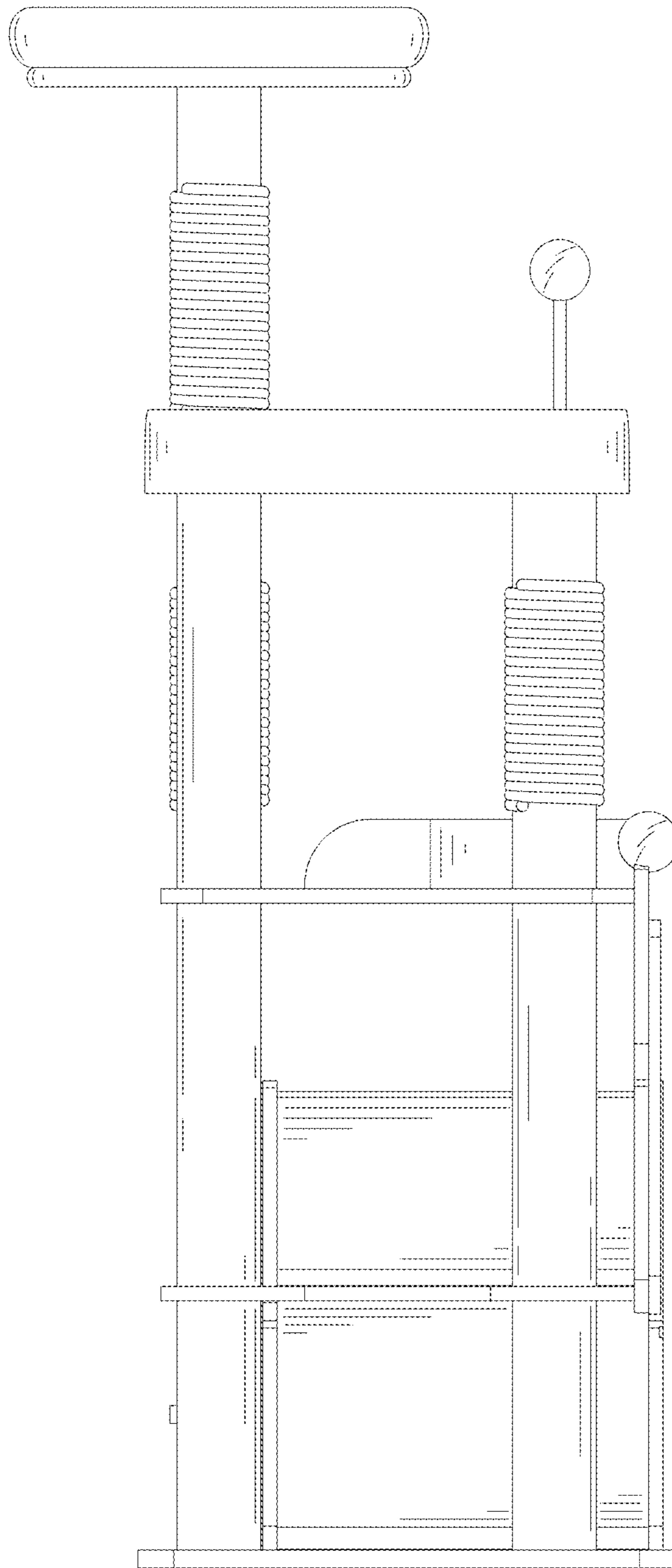


FIG.5

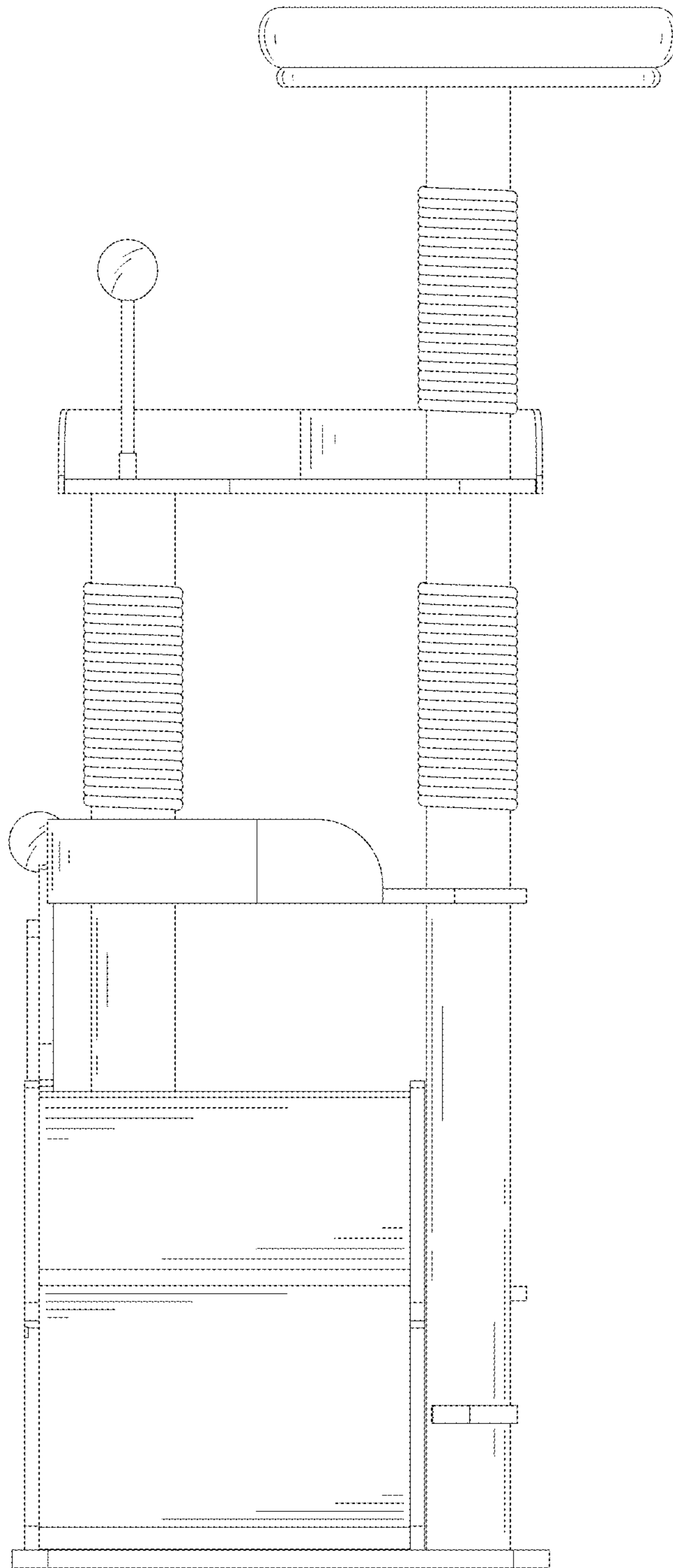


FIG. 6

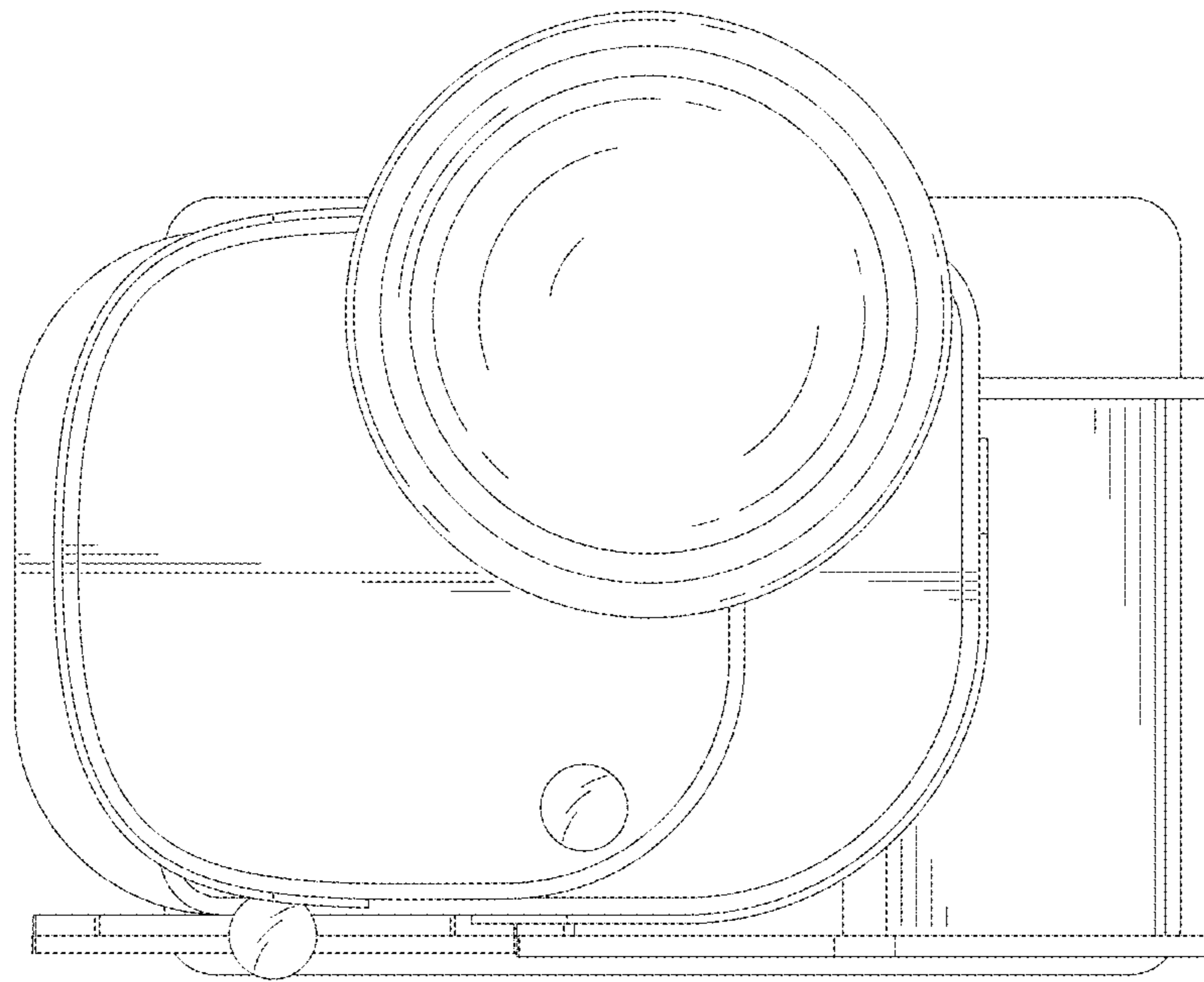


FIG. 7

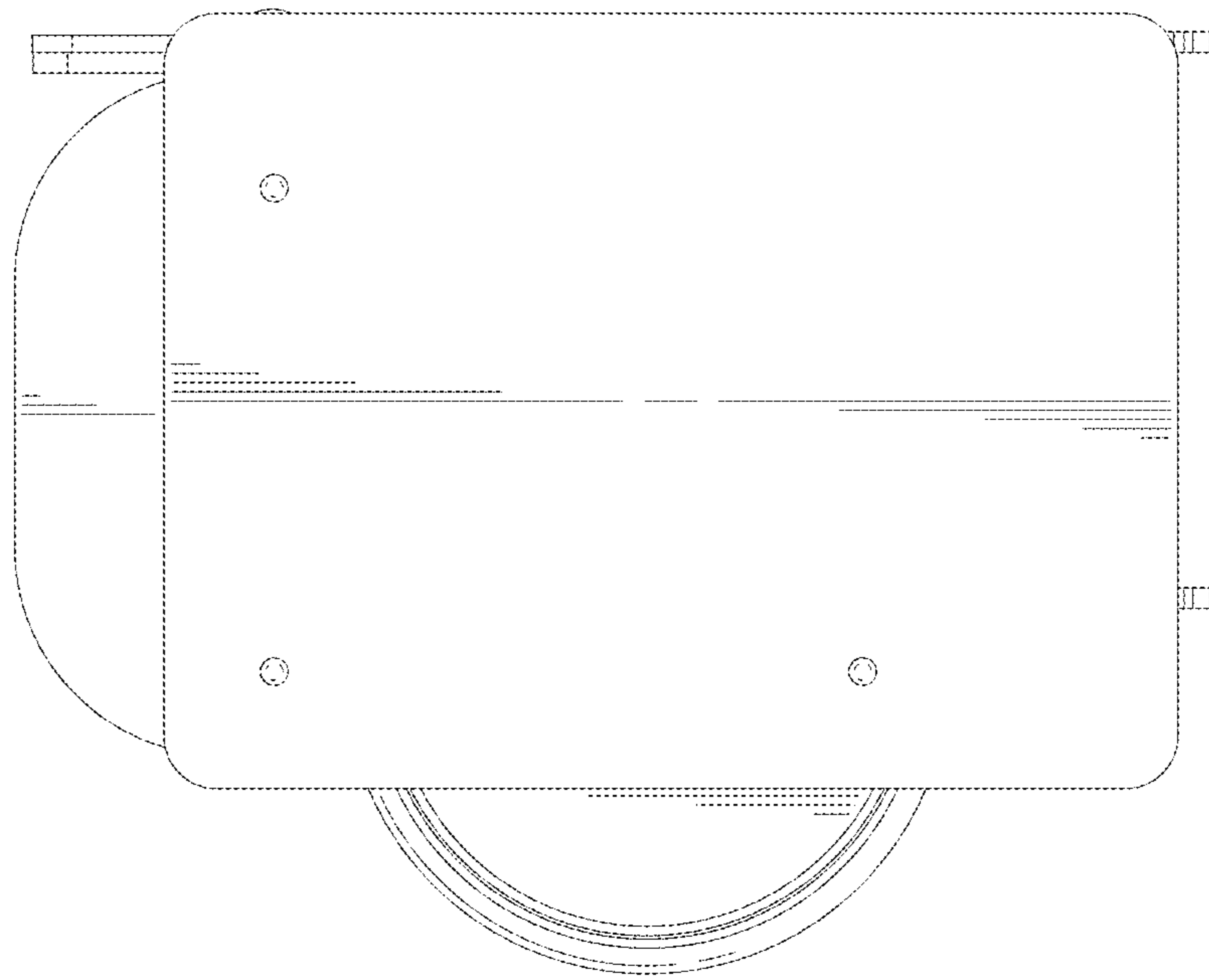


FIG. 8