



US00D982262S

(12) **United States Design Patent**
Wang

(10) **Patent No.:** **US D982,262 S**
(45) **Date of Patent:** **** Mar. 28, 2023**

(54) **CAT TREE TOWER**

(71) Applicant: **Hangzhou Zhuoli Industrial Co., Ltd.**,
Hangzhou (CN)

(72) Inventor: **Xiaowei Wang**, Hangzhou (CN)

(73) Assignee: **Hangzhou Zhuoli Industrial Co., Ltd.**,
Hangzhou (CN)

(**) Term: **15 Years**

(21) Appl. No.: **29/849,719**

(22) Filed: **Aug. 12, 2022**

(51) **LOC (14) Cl.** **30-99**

(52) **U.S. Cl.**
USPC **D30/160**

(58) **Field of Classification Search**
USPC D30/108, 110, 118, 160; D3/304;
D21/827, 811, 814, 818, 834, 837, 826,
D21/670, 506-511
CPC A01K 1/0245; A01K 5/0114; A01K 15/02;
A01K 15/04; A01K 15/024; A01K
15/025; A01K 15/027
See application file for complete search history.

(56) **References Cited**

U.S. PATENT DOCUMENTS

D257,293 S *	10/1980	Michalski	D30/158
D261,186 S *	10/1981	Michalski	D30/158
D846,206 S *	4/2019	He	D30/160
D846,818 S *	4/2019	He	D30/160
D883,585 S *	5/2020	Song	D30/160

D883,586 S *	5/2020	Song	D30/160
D884,991 S *	5/2020	Song	D30/160
D885,691 S *	5/2020	Song	D30/160
D886,398 S *	6/2020	Song	D30/160
D891,711 S *	7/2020	He	D30/160
D891,712 S *	7/2020	He	D30/160
D906,605 S *	12/2020	Roost	D30/160
D920,599 S *	5/2021	Guo	D30/160
D920,600 S *	5/2021	Guo	D30/160
D928,428 S *	8/2021	Guo	D30/160
D941,535 S *	1/2022	Guo	D30/160
D942,093 S *	1/2022	Huang	D30/160
2019/0230896 A1 *	8/2019	Goldman	A01K 1/035

* cited by examiner

Primary Examiner — Aula Soroush

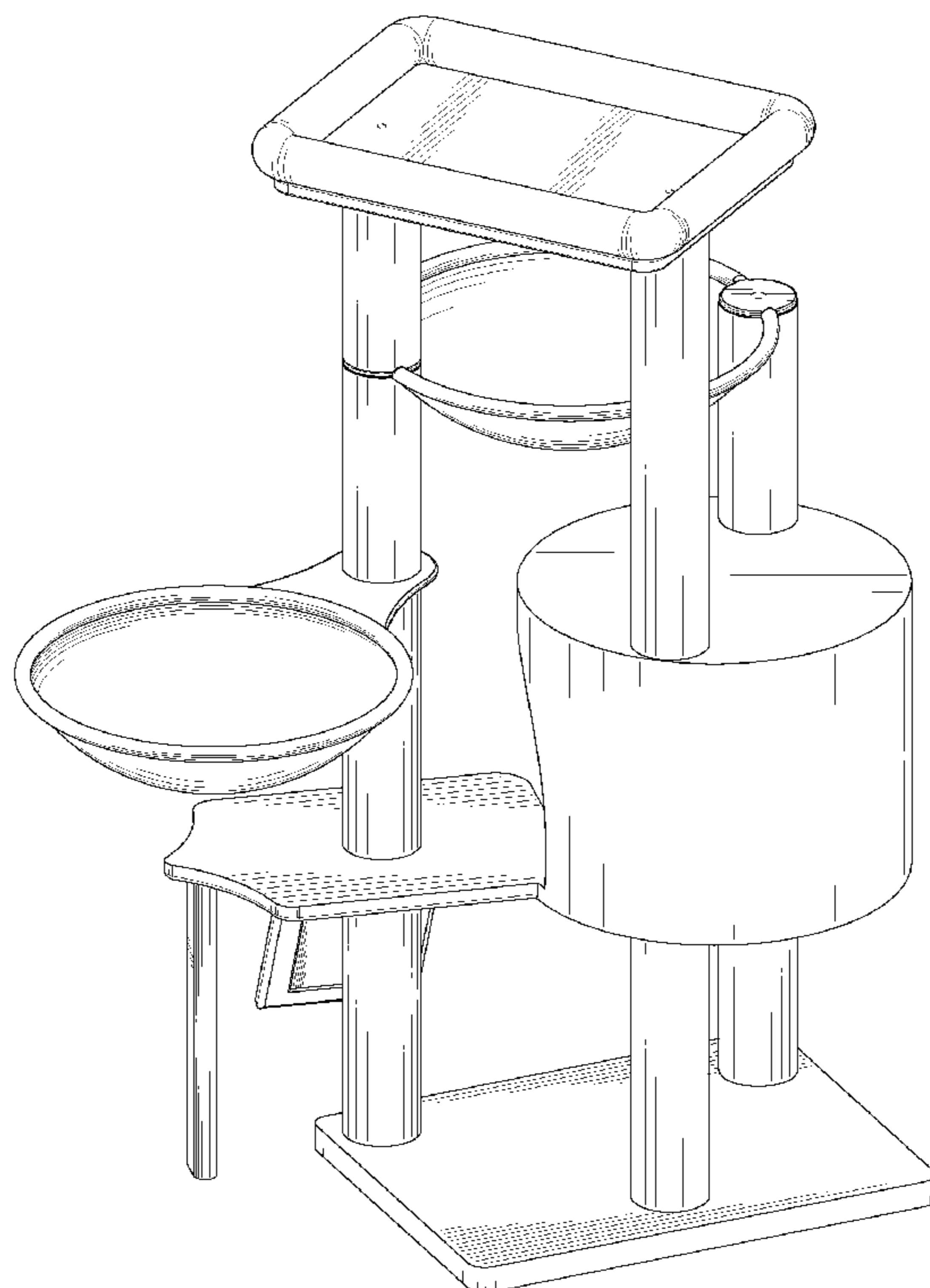
(57) **CLAIM**

The ornamental design for a cat tree tower, as shown and described.

DESCRIPTION

FIG. 1 is a front, left and top perspective view of a cat tree tower showing my new design;
FIG. 2 is a rear, right and bottom perspective view thereof;
FIG. 3 is a front view thereof;
FIG. 4 is a rear view thereof;
FIG. 5 is a left side view thereof;
FIG. 6 is a right side view thereof;
FIG. 7 is a top plan view thereof;
FIG. 8 is a bottom plan view thereof; and,
FIG. 9 is an enlarged partial view of FIG. 6.
The broken lines in the figures illustrate portions of the cat tree tower that form no part of the claimed design.

1 Claim, 9 Drawing Sheets



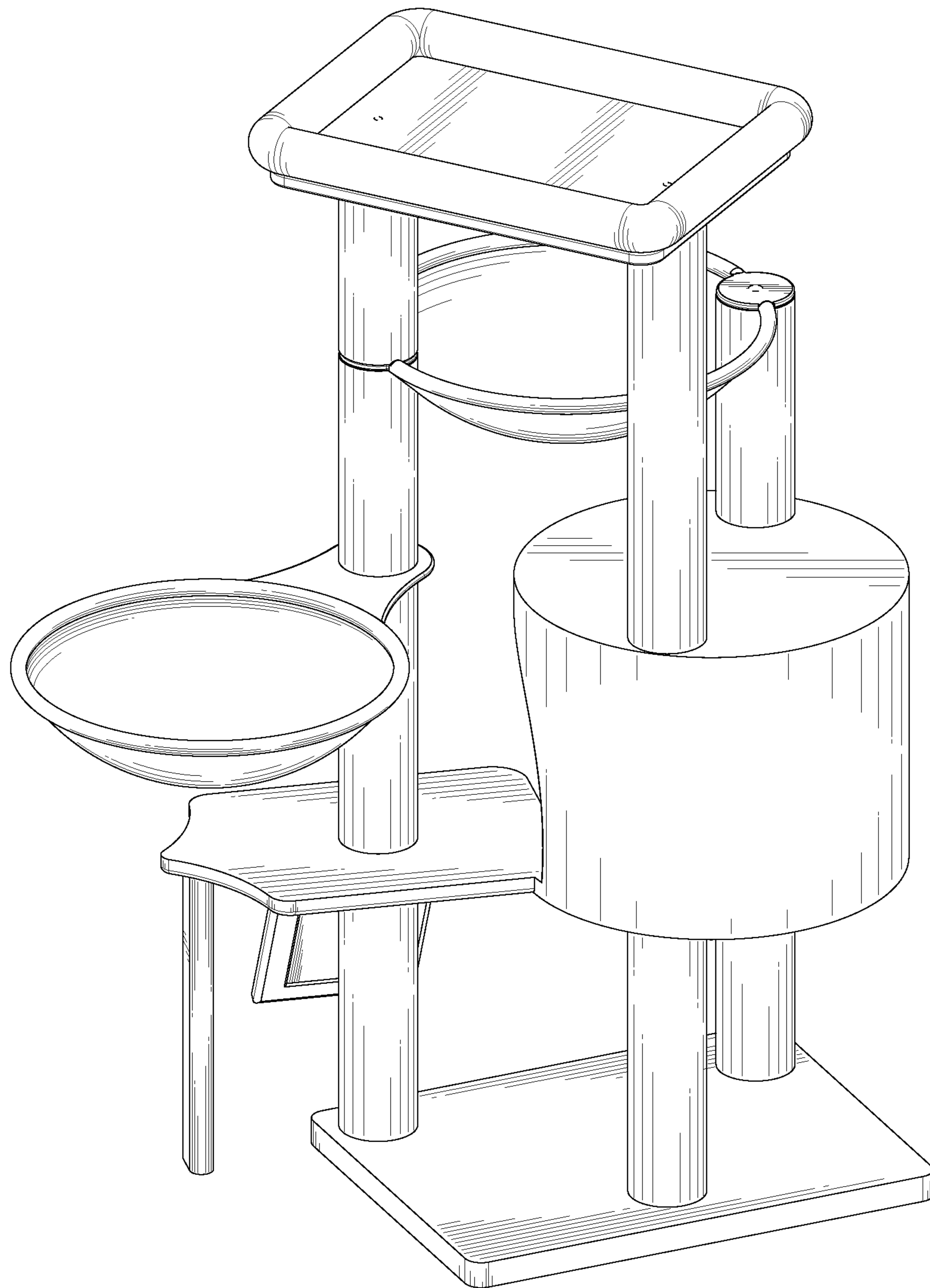


FIG. 1

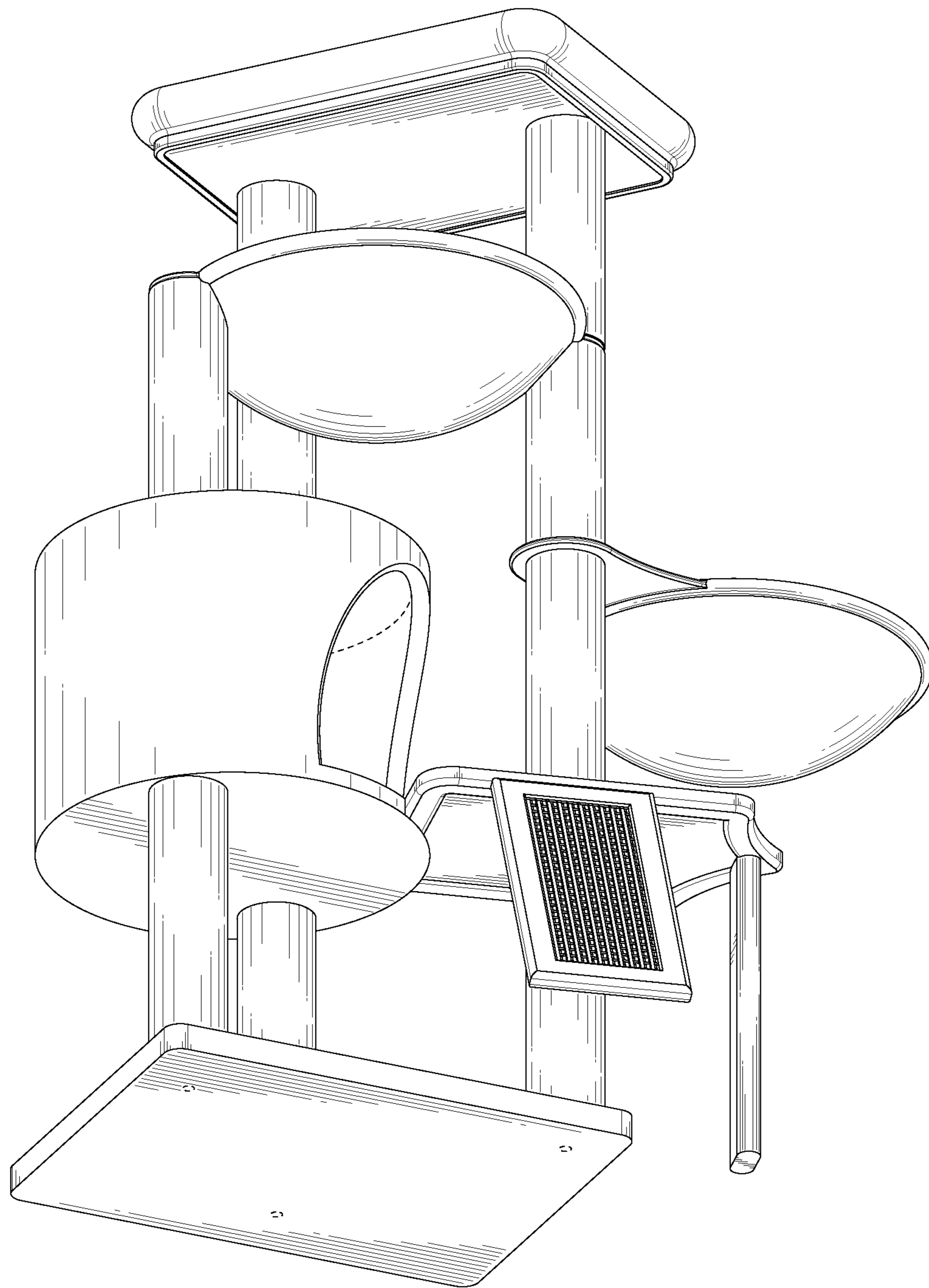


FIG. 2

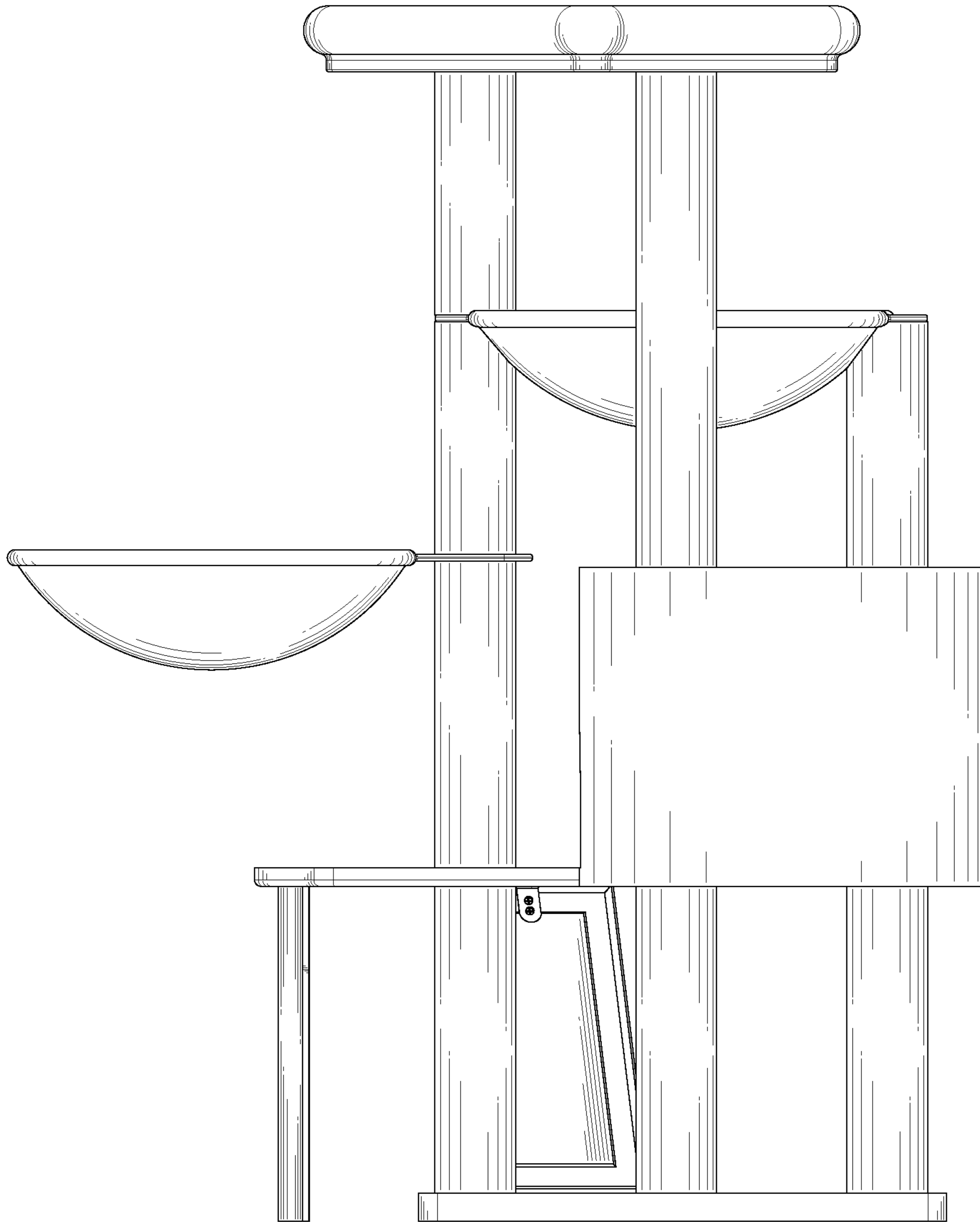


FIG. 3

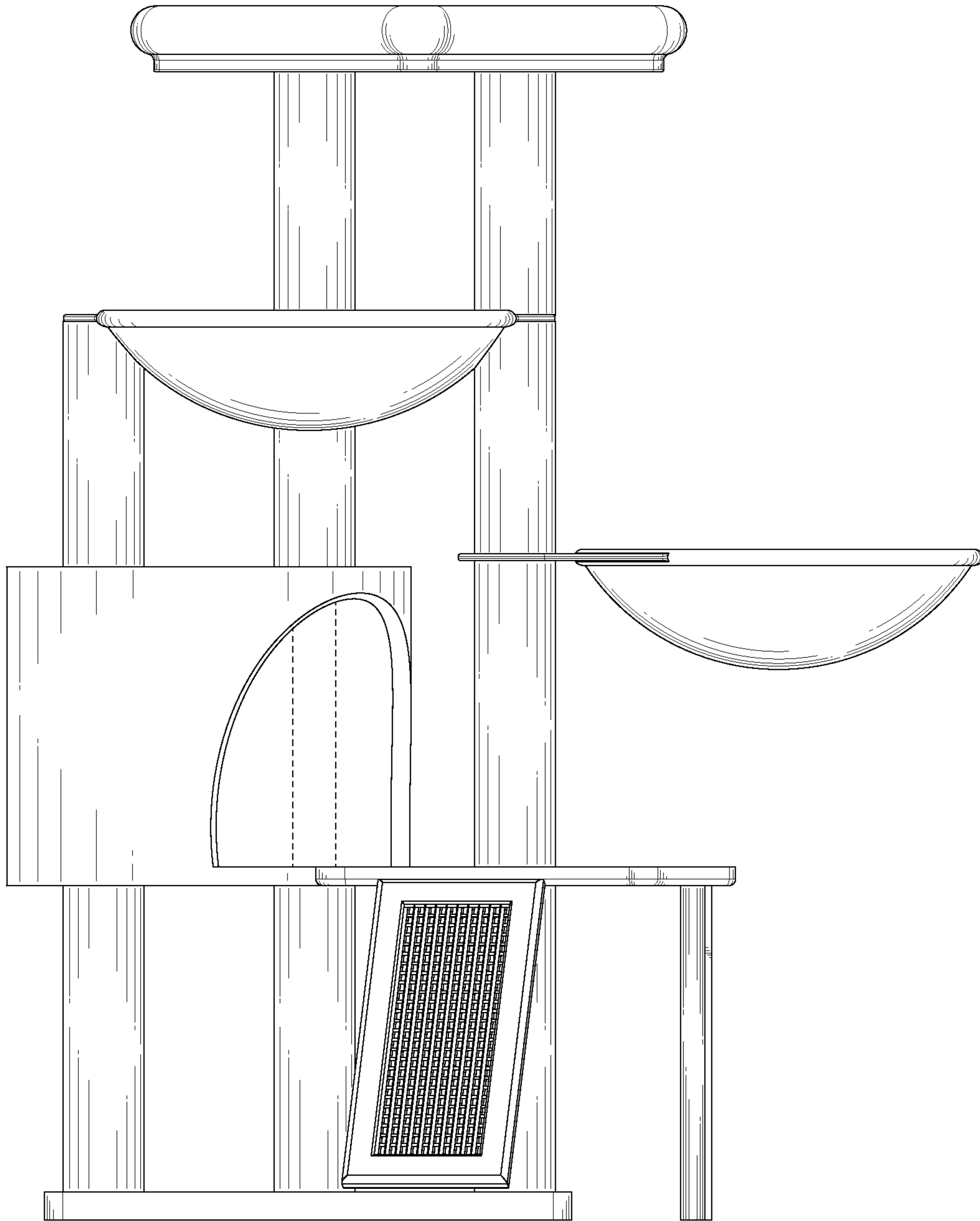


FIG. 4

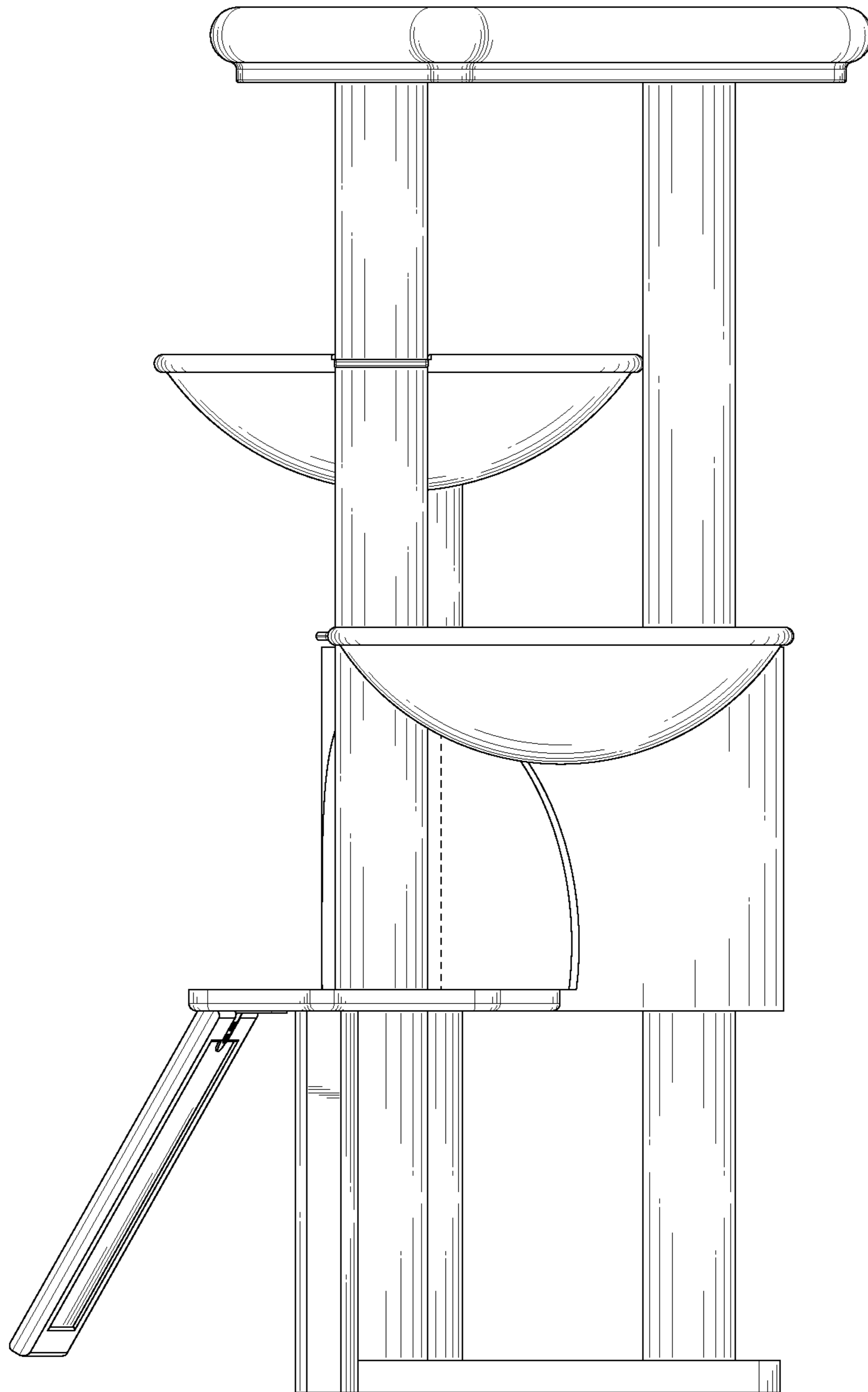


FIG. 5

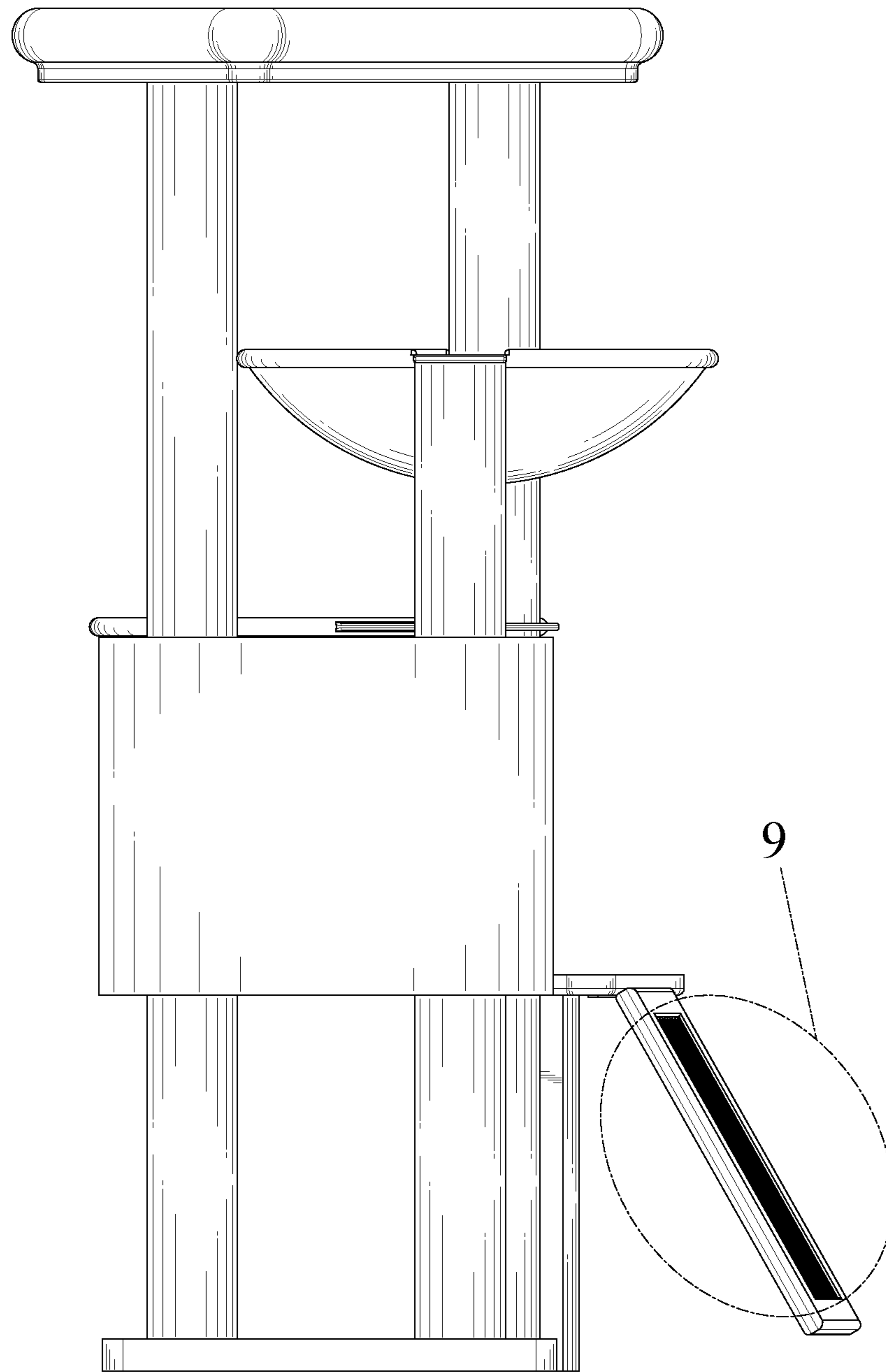


FIG. 6

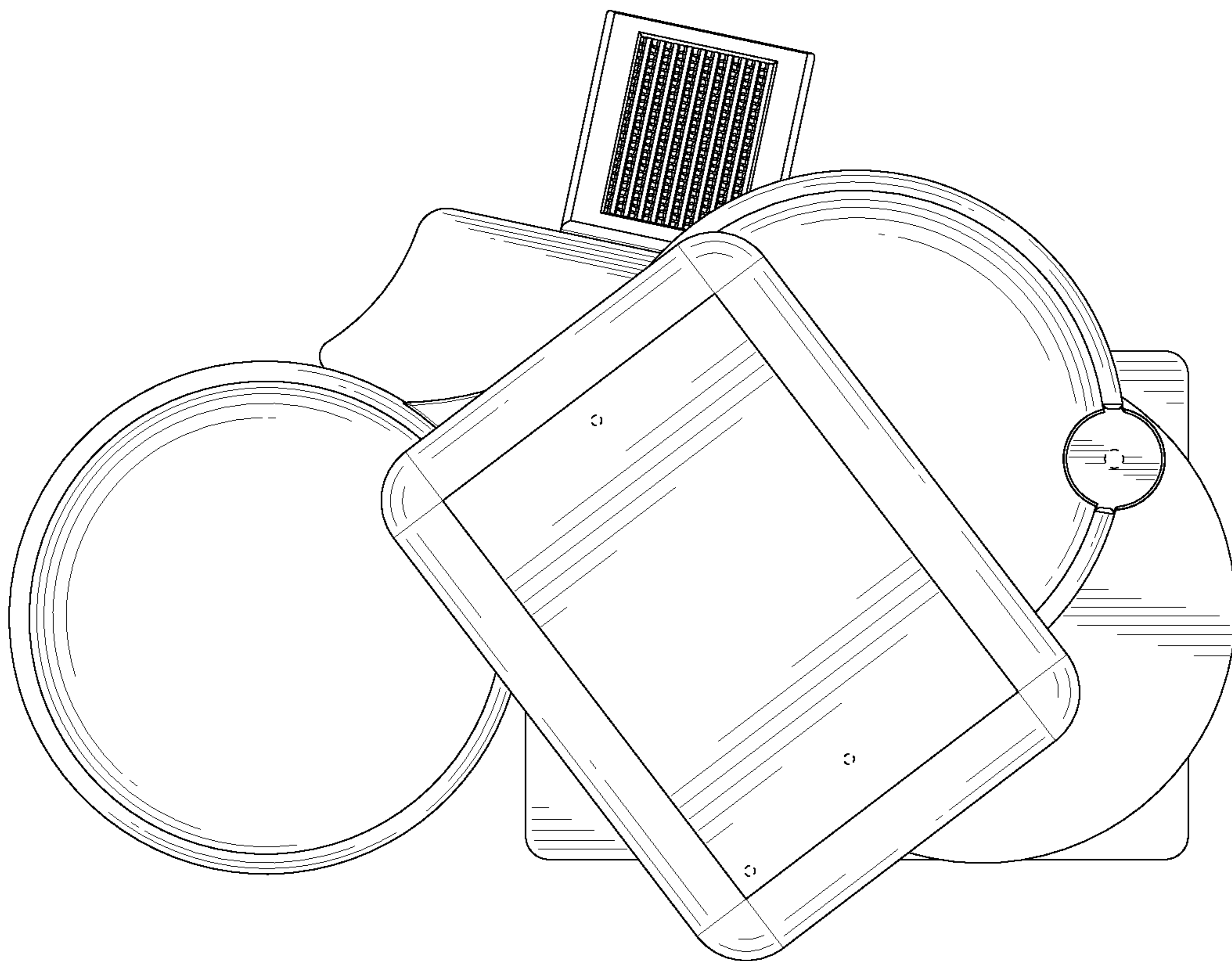


FIG. 7

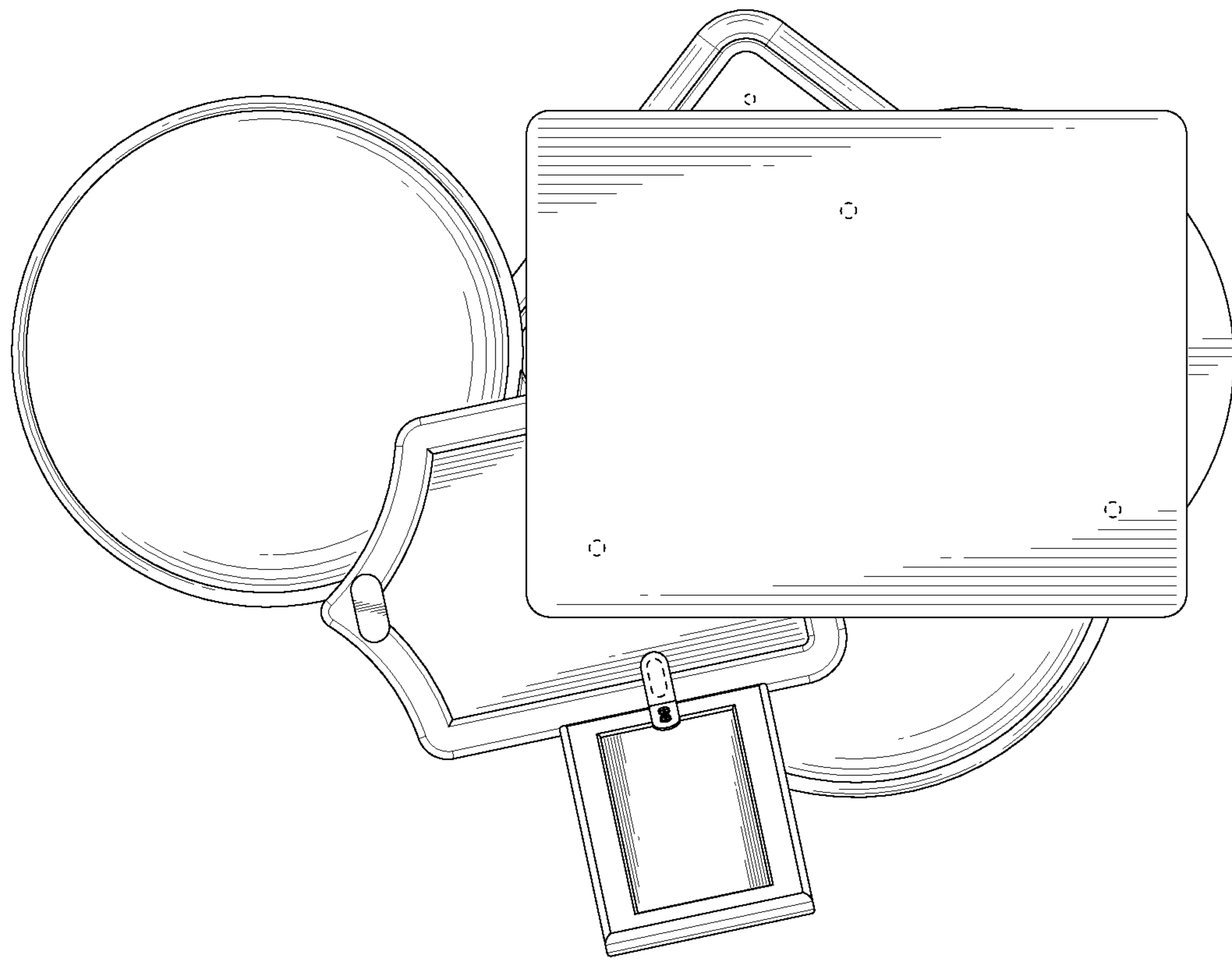


FIG. 8

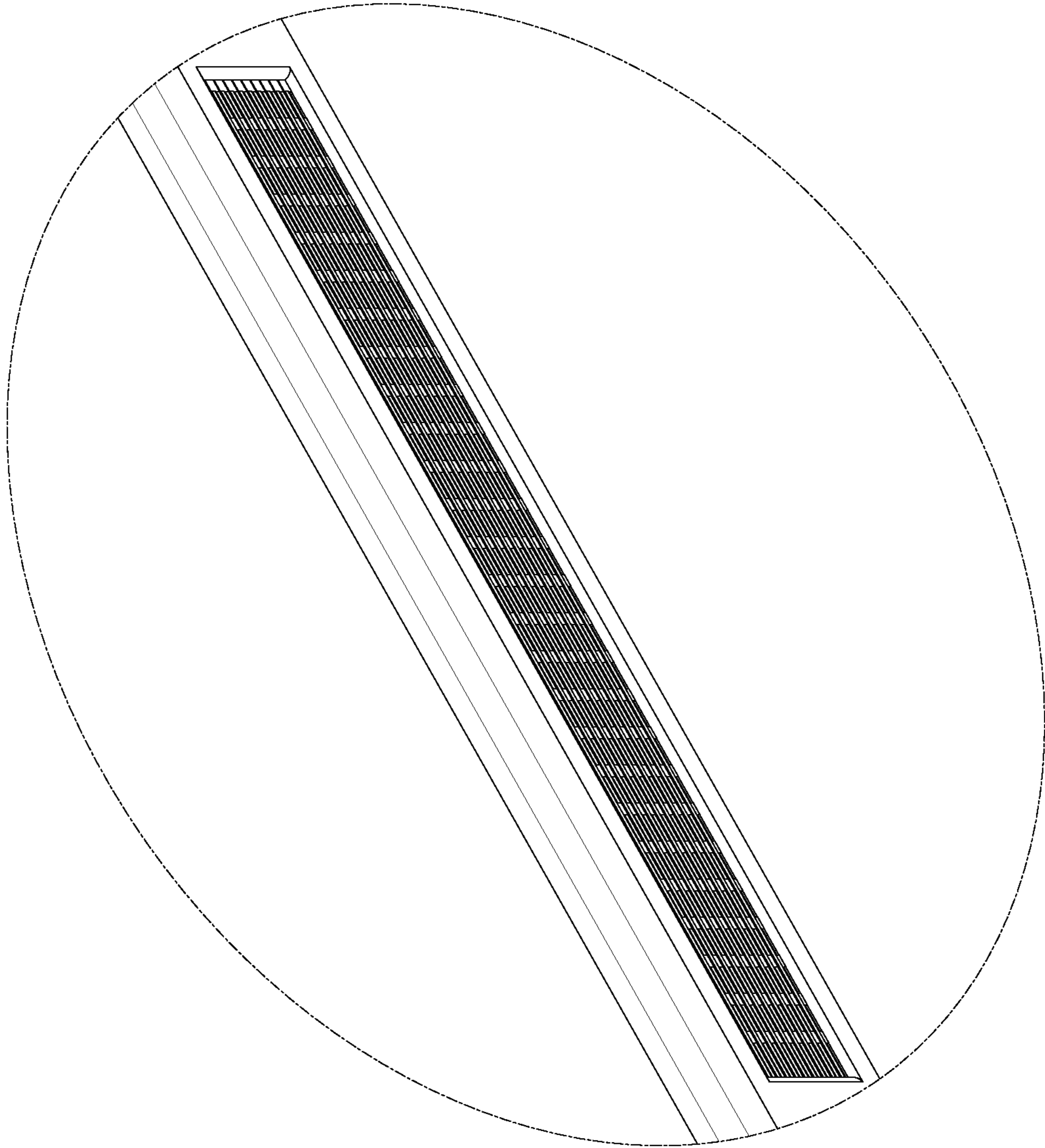


FIG. 9