



US00D982261S

(12) **United States Design Patent**  
**Guo**

(10) **Patent No.:** **US D982,261 S**  
(45) **Date of Patent:** **\*\* Mar. 28, 2023**

(54) **CAT TREE TOWER**

(71) Applicant: **GLOBEGOU WZ CO., LTD,**  
Wenzhou (CN)

(72) Inventor: **Zeshan Guo,** Gaoyou (CN)

(\*\*) Term: **15 Years**

(21) Appl. No.: **29/823,043**

(22) Filed: **Jan. 13, 2022**

(30) **Foreign Application Priority Data**

Jan. 7, 2022 (CN) ..... 202230009398.0

(51) **LOC (14) Cl.** ..... **30-99**

(52) **U.S. Cl.**  
USPC ..... **D30/160**

(58) **Field of Classification Search**  
USPC ..... D30/108-120, 160; D3/304  
CPC .... A01K 1/0245; A01K 5/0114; A01K 15/02;  
A01K 15/024; A01K 15/025; A01K  
15/027

See application file for complete search history.

(56) **References Cited**

**U.S. PATENT DOCUMENTS**

D846,206 S \* 4/2019 He ..... D30/160  
D846,818 S \* 4/2019 He ..... D30/160  
D883,585 S \* 5/2020 Song ..... D30/160  
D883,586 S \* 5/2020 Song ..... D30/160

D884,991 S \* 5/2020 Song ..... D30/160  
D886,398 S \* 6/2020 Song ..... D30/160  
D891,711 S \* 7/2020 He ..... D30/160  
D891,712 S \* 7/2020 He ..... D30/160  
D906,605 S \* 12/2020 Roost ..... D30/160  
D920,599 S \* 5/2021 Guo ..... D30/160  
D920,600 S \* 5/2021 Guo ..... D30/160  
D928,427 S \* 8/2021 Guo .....  
D928,428 S \* 8/2021 Guo ..... D30/160  
D941,535 S \* 1/2022 Guo ..... D30/160  
2019/0230896 A1 \* 8/2019 Goldman ..... A01K 1/035

\* cited by examiner

*Primary Examiner* — Aula Soroush

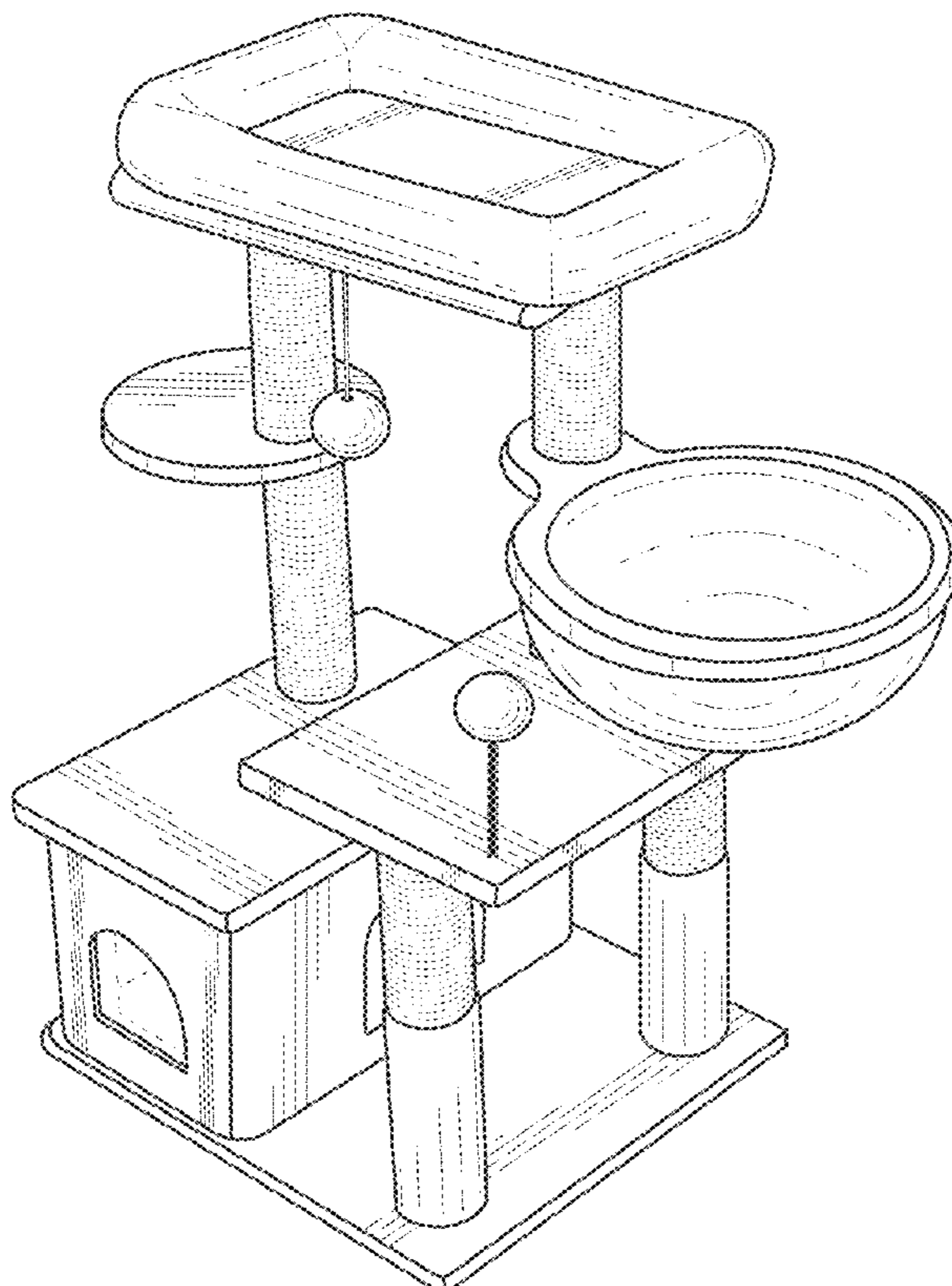
(57) **CLAIM**

The ornamental design for cat tree tower, substantially as shown and described.

**DESCRIPTION**

FIG. 1 is a front perspective view of a cat tree tower showing my new design;  
FIG. 2 is rear perspective view thereof;  
FIG. 3 is a left-side perspective view thereof;  
FIG. 4 is a right-side perspective view thereof;  
FIG. 5 is a top perspective view thereof;  
FIG. 6 is a top view thereof; and,  
FIG. 7 is a bottom view thereof.  
The broken lines in the drawings illustrate the portions of cat tree tower which form no part of the claimed design.

**1 Claim, 7 Drawing Sheets**



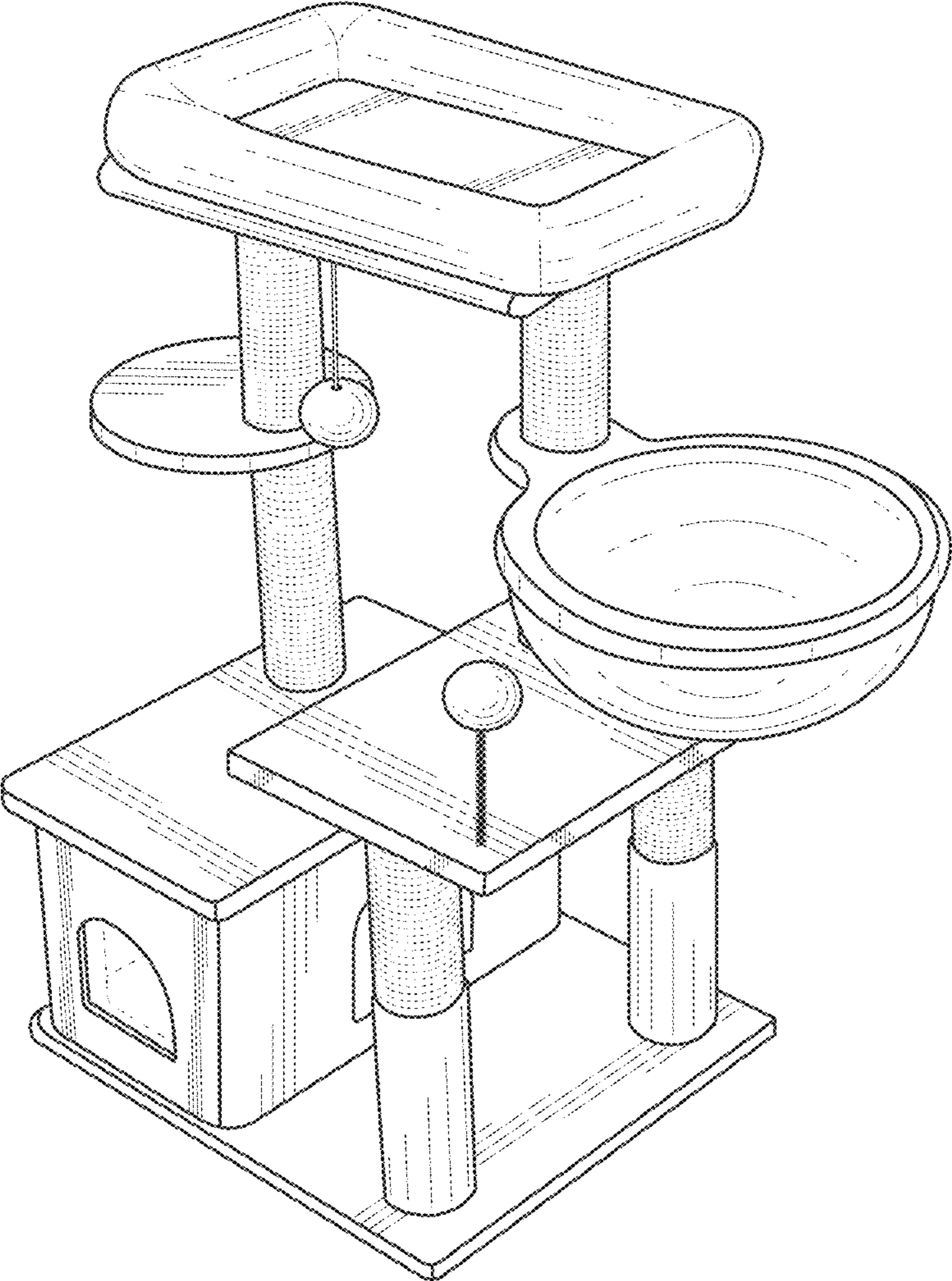


FIG. 1

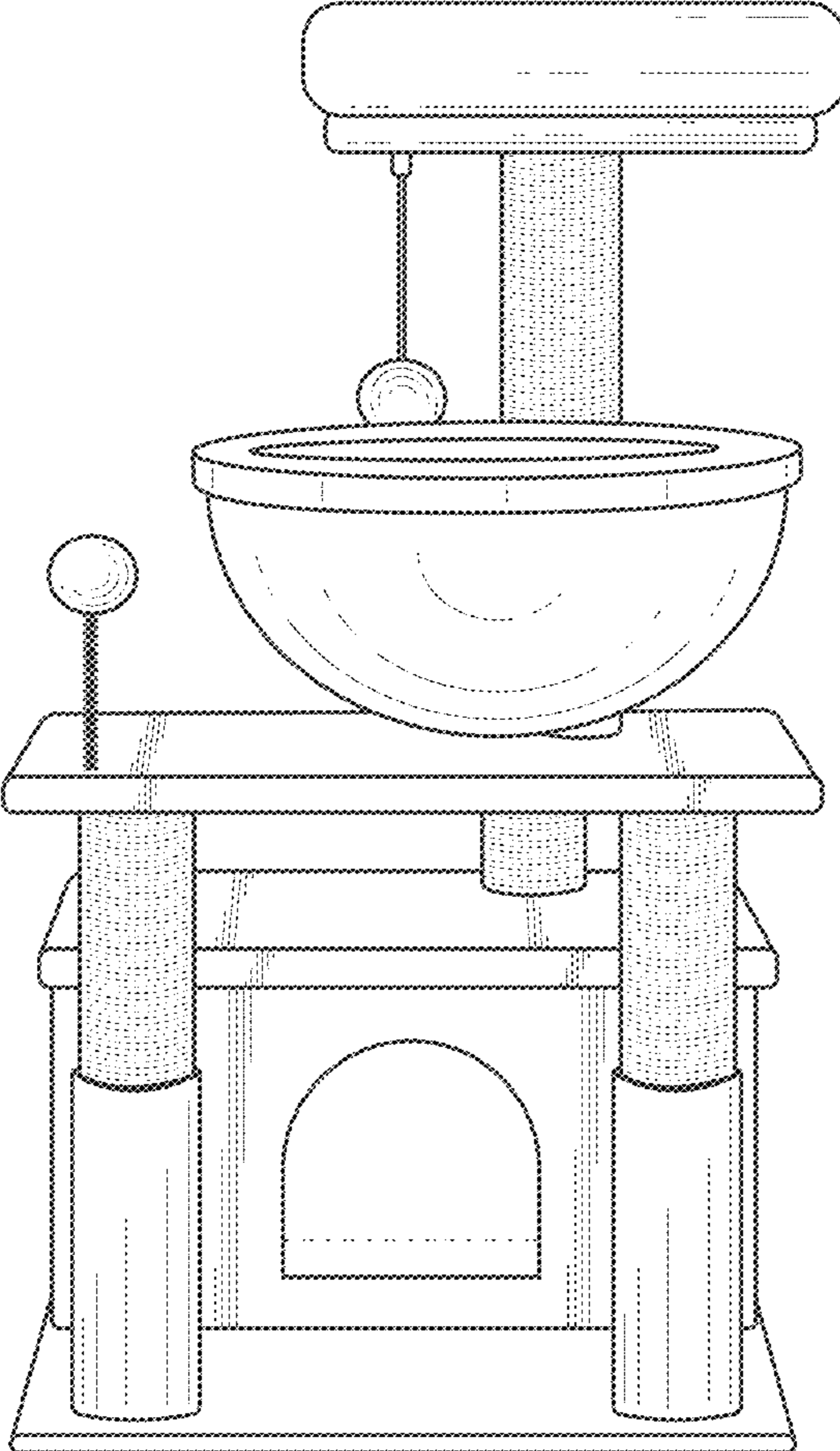


FIG. 2

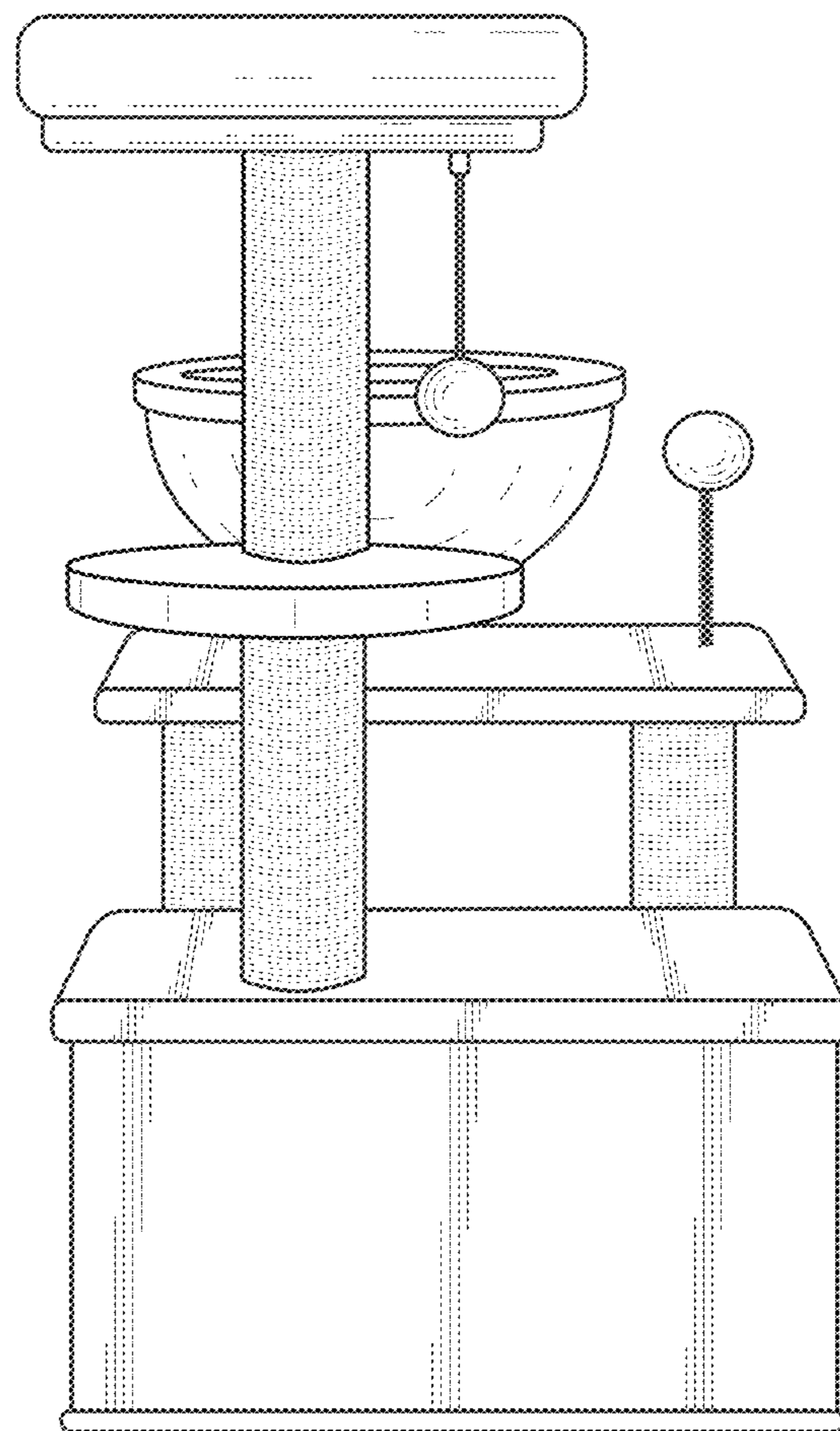


FIG. 3

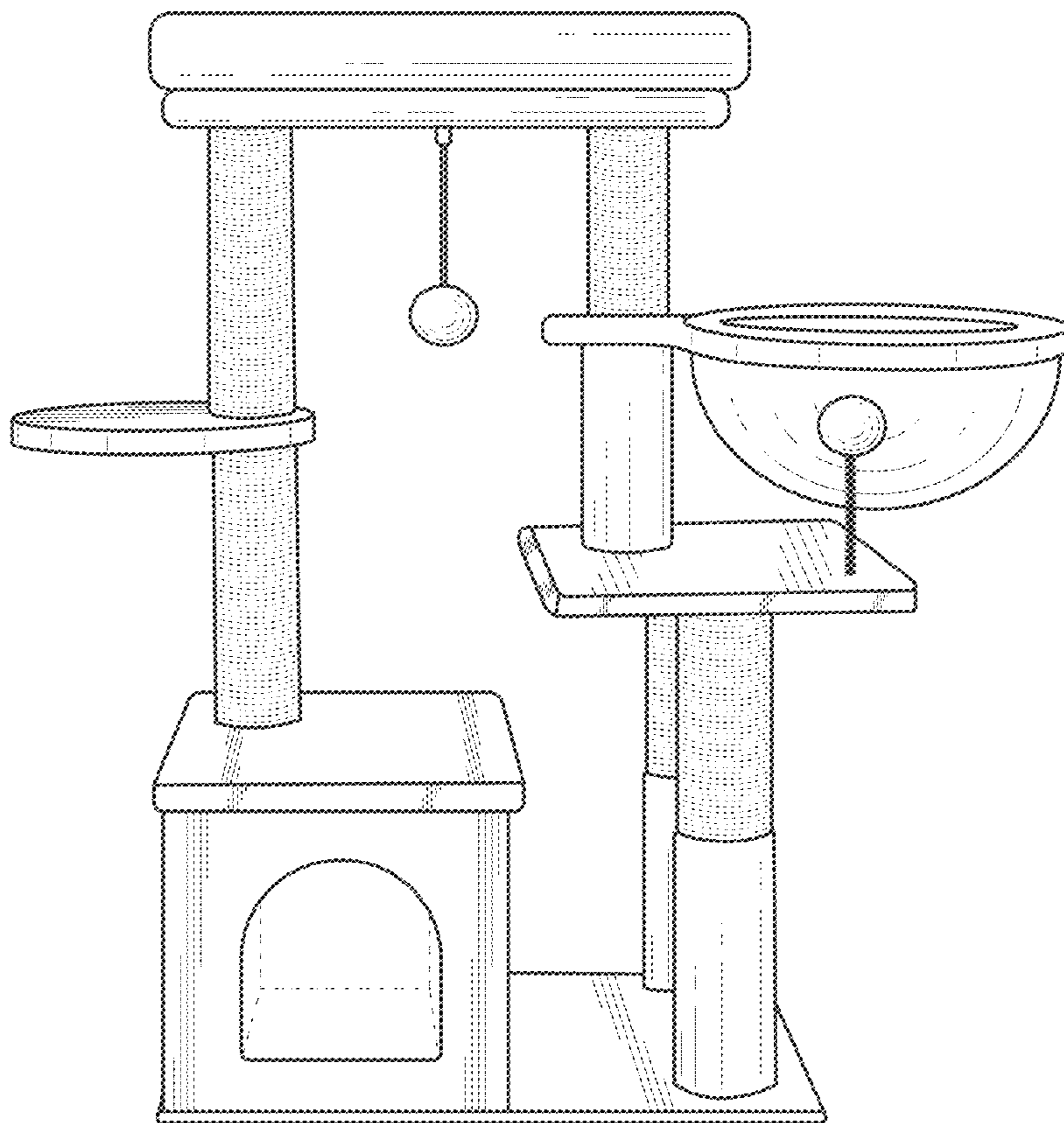


FIG. 4

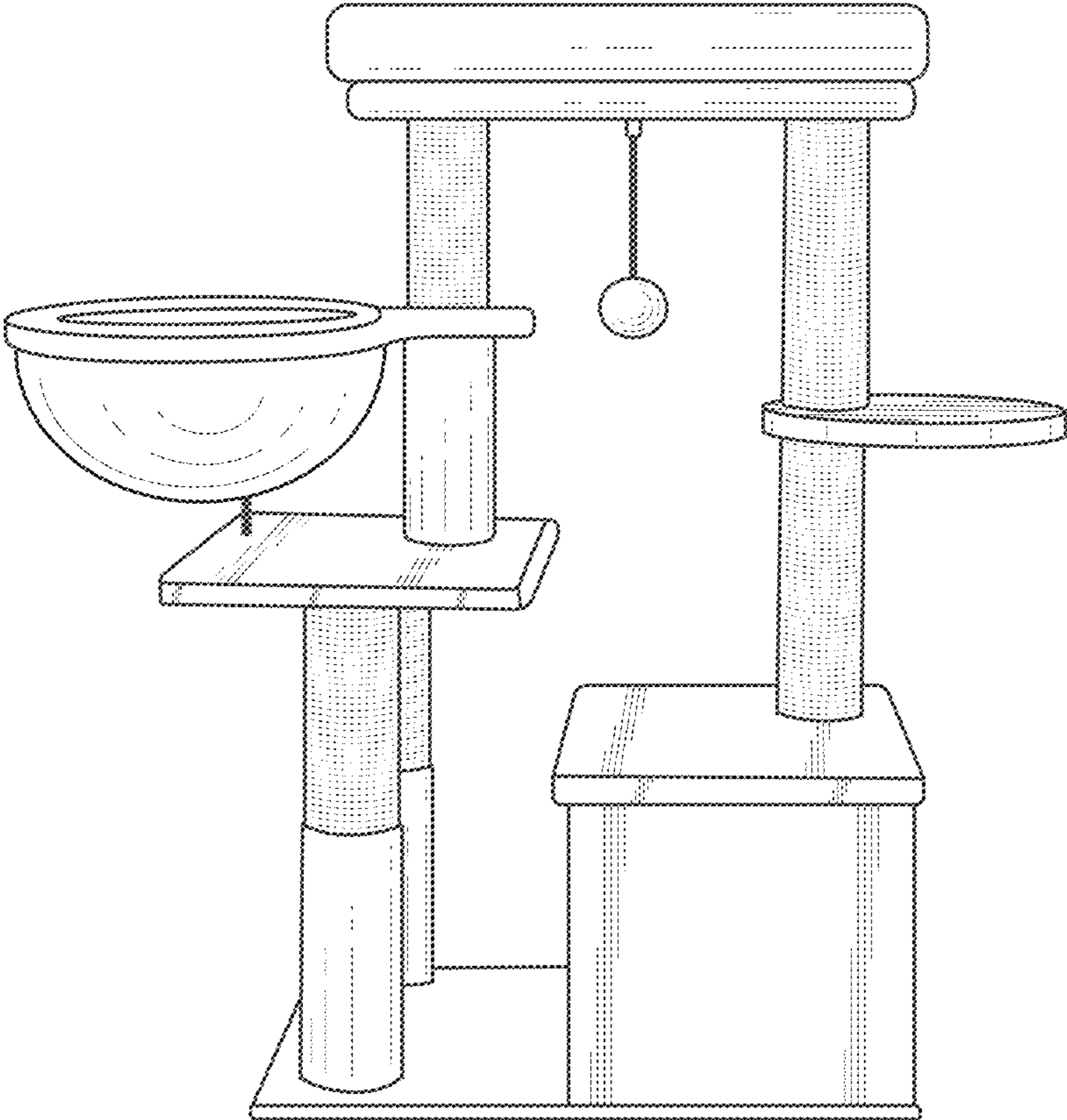


FIG. 5

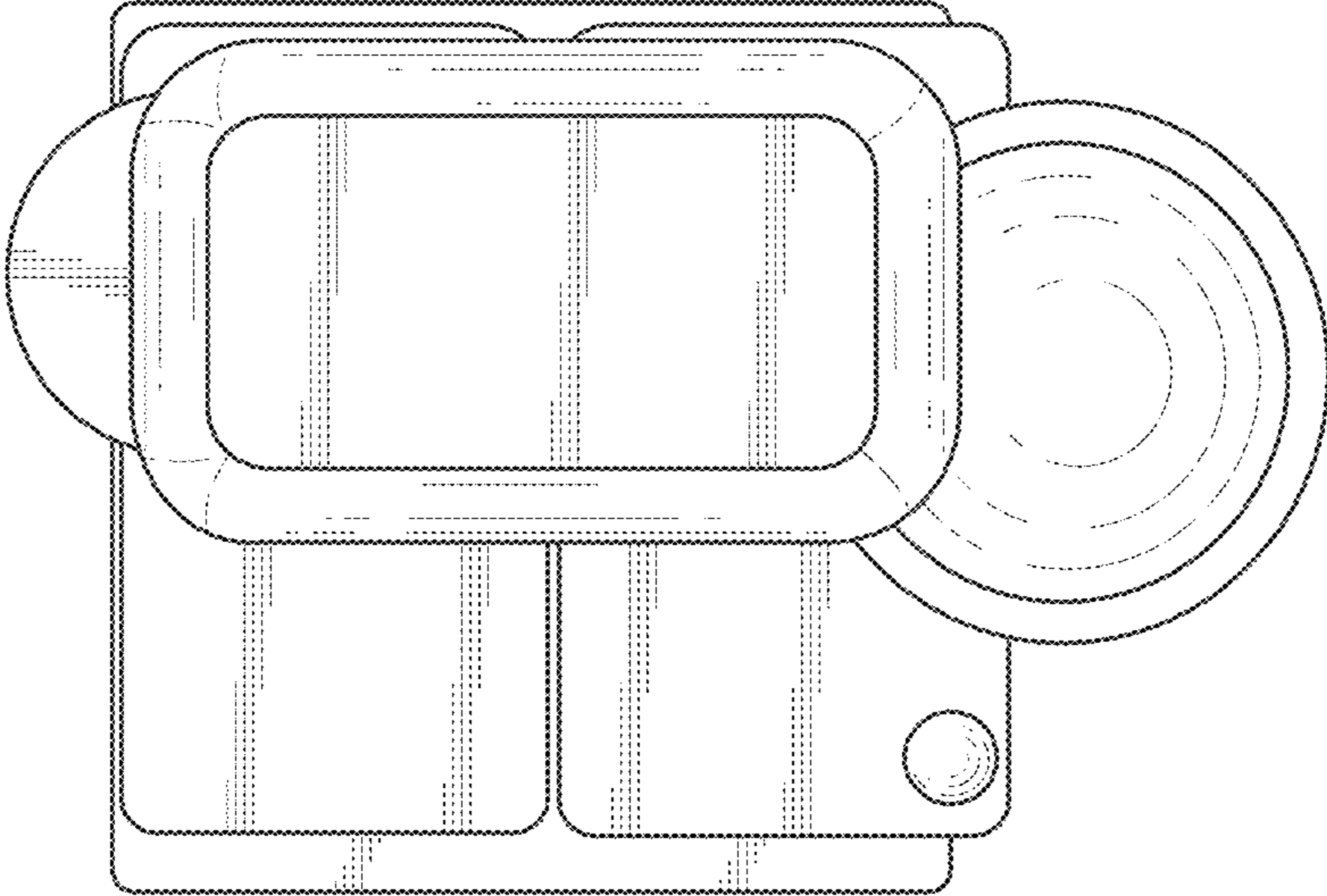


FIG. 6

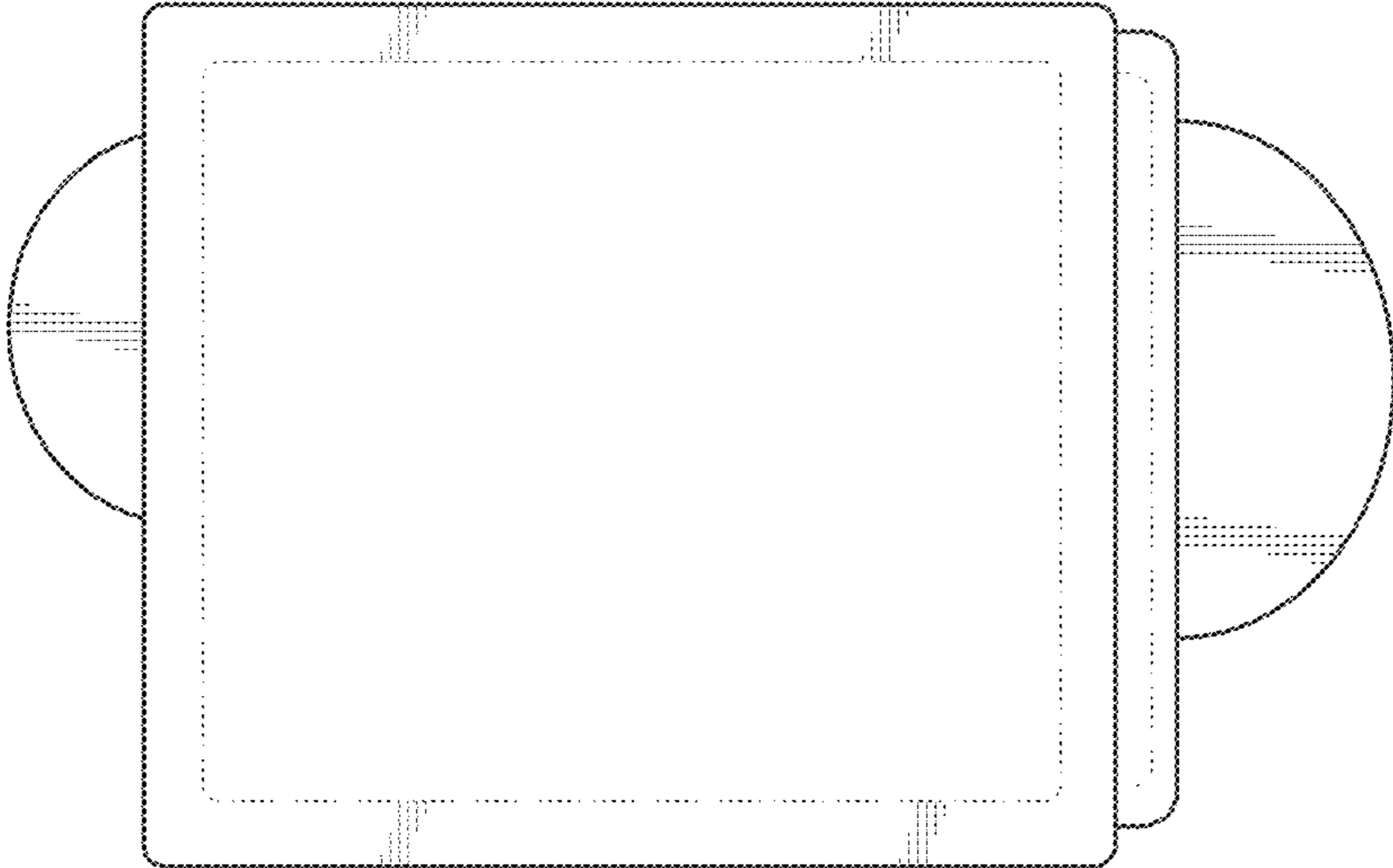


FIG. 7