



US00D982254S

(12) **United States Design Patent**  
**Zuppke et al.**

(10) **Patent No.:** **US D982,254 S**  
(45) **Date of Patent:** **\*\* Mar. 28, 2023**

- (54) **ANIMAL CLIMBING TOWER**
- (71) Applicants: **Automated Pet Care Products, LLC**, Auburn Hills, MI (US); **Sauder Woodworking Co.**, Archbold, OH (US)
- (72) Inventors: **Jacob Zuppke**, Bloomfield Hills, MI (US); **Matthew Wyman**, Auburn Hills, MI (US); **Mark Strayer**, Lamar, MO (US)

- D330,129 S \* 10/1992 Kelly ..... D6/674
- D351,258 S \* 10/1994 Berger ..... D30/108
- 6,425,646 B1 \* 7/2002 Andrews ..... A47F 5/0093  
108/92
- 6,895,898 B1 \* 5/2005 Kitch ..... A01K 1/033  
D30/114
- D524,994 S \* 7/2006 Hamm ..... D30/108
- D563,604 S \* 3/2008 Pacana ..... D30/108
- D611,204 S \* 3/2010 Slater ..... D30/160

(Continued)

- (73) Assignees: **AUTOMATED PET CARE PRODUCTS, LLC**, Auburn Hills, MI (US); **SAUDER WOODWORKING CO.**, Archbold, OH (US)

**OTHER PUBLICATIONS**

Cat Pyramid, posted at litter-robot.com, earliest date available Nov. 5, 2020, [online], acquired on Oct. 8, 2022, Available on internet. url:https://www.litter-robot.com/cat-pyramid.html (Year: 2020).\*

(Continued)

(\*\*) Term: **15 Years**

*Primary Examiner* — Aula Soroush

(21) Appl. No.: **29/751,853**

(74) *Attorney, Agent, or Firm* — The Dobrusin Law Firm, P.C.; Daniela M. Thompson-Walters

(22) Filed: **Sep. 23, 2020**

(51) **LOC (14) Cl.** ..... **30-99**

(52) **U.S. Cl.**  
USPC ..... **D30/160; D30/118**

(58) **Field of Classification Search**  
USPC ..... D30/117, 158, 160, 118, 108, 110;  
D6/672, 674, 675.3, 676, 693  
CPC .... A01K 1/0245; A01K 5/0114; A01K 15/02;  
A01K 15/04; A01K 15/024; A01K  
15/025; A01K 15/027

See application file for complete search history.

(57) **CLAIM**

We claim the ornamental design for an animal climbing tower, as shown and described.

**DESCRIPTION**

FIG. 1 is a front perspective view of an animal climbing tower;  
FIG. 2 is a rear perspective view thereof;  
FIG. 3 is a front view thereof;  
FIG. 4 is a rear view of thereof;  
FIG. 5 is a left side view thereof;  
FIG. 6 is a right side view thereof;  
FIG. 7 is a top view thereof; and,  
FIG. 8 is a bottom view thereof.

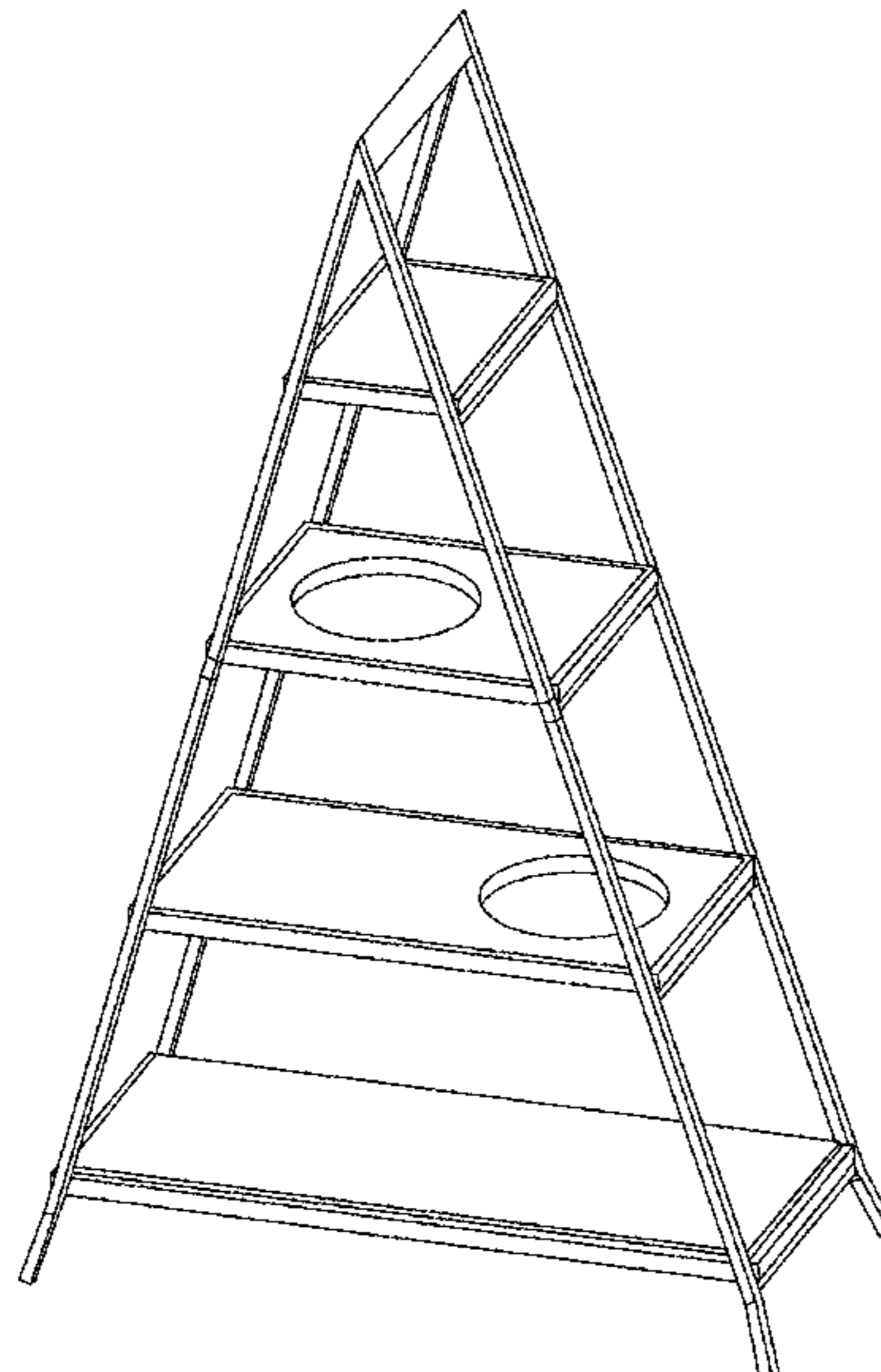
The broken lines in the drawings illustrate portions of the animal climbing tower that form no part of the claimed design.

**1 Claim, 7 Drawing Sheets**

(56) **References Cited**

**U.S. PATENT DOCUMENTS**

- 3,170,418 A \* 2/1965 Gruenstein ..... A47F 5/14  
211/186
- D236,055 S \* 7/1975 Hogg ..... D6/676.1
- D248,708 S \* 8/1978 Graff ..... D6/678.2
- D259,007 S \* 4/1981 Schuckebrock ..... D6/675.3
- D273,067 S \* 3/1984 Evans ..... D6/675.3
- D307,839 S \* 5/1990 Johnson, Jr. .... D6/674



(56)

**References Cited**

## U.S. PATENT DOCUMENTS

7,789,251 B1 \* 9/2010 Clark ..... A47B 57/12  
211/186  
8,430,062 B2 \* 4/2013 Lu ..... A01K 1/035  
119/482  
9,326,483 B2 \* 5/2016 Hall ..... A01K 1/033  
9,332,838 B1 \* 5/2016 Kilday ..... A47B 47/042  
D797,476 S \* 9/2017 Caillouet ..... D6/672  
D808,203 S \* 1/2018 Davis ..... D6/675.3  
D811,134 S \* 2/2018 Miller ..... D6/675.3  
D881,482 S \* 4/2020 Jayne ..... D30/160

## OTHER PUBLICATIONS

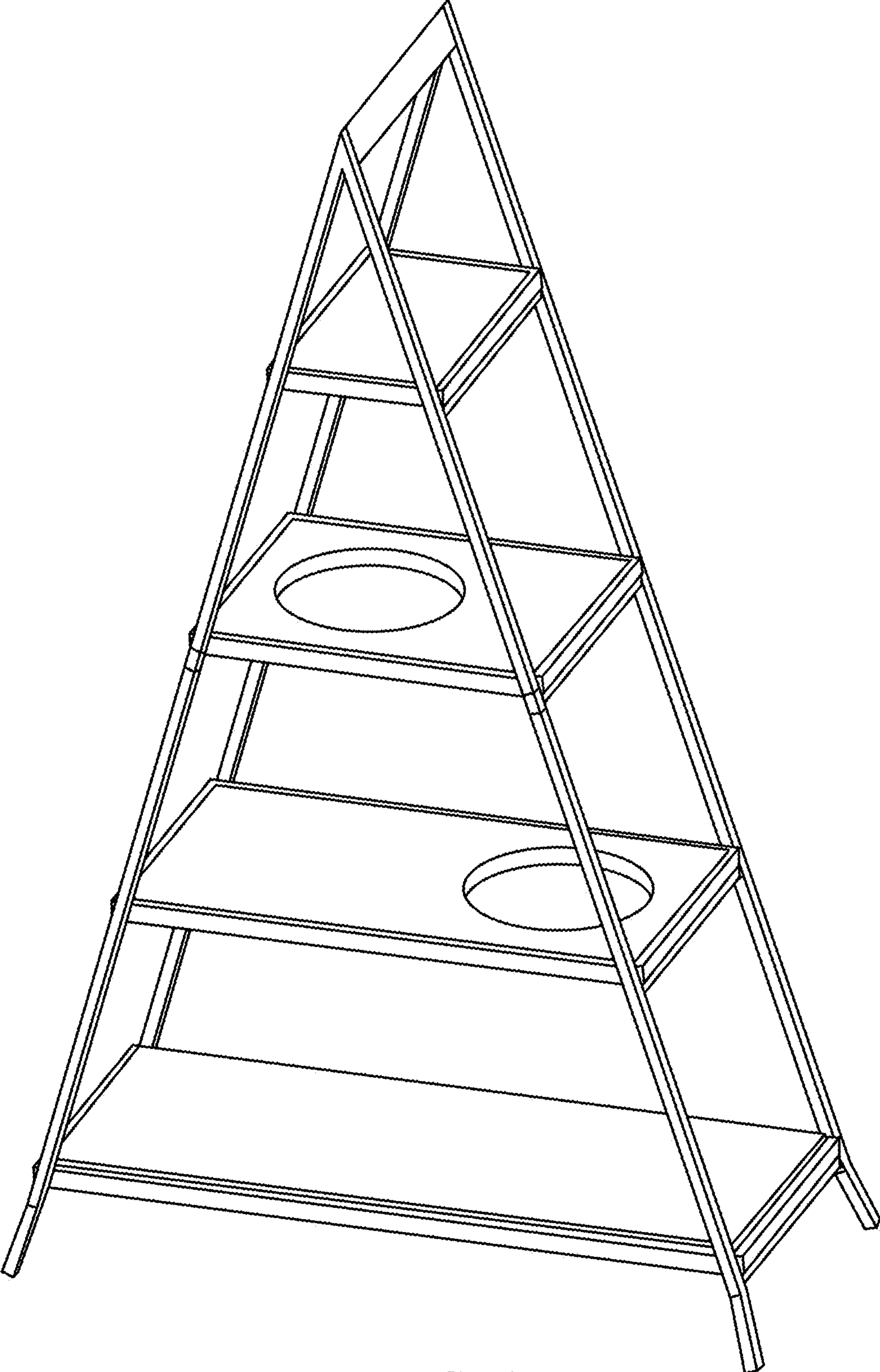
AutoPets Releases a Line of Modern Cat Furniture posted at [hourdetroit.com](http://hourdetroit.com), earliest date available Oct. 14, 2020, [online], acquired on Oct. 8, 2022, Available on internet. url:<https://www.hourdetroit.com/home-living/autopets-releases-a-line-of-modern-cat-furniture/> (Year: 2020).\*

Algonquin Modern Folding Cat Tree by Archie & Oscar™ available at <https://www.wayfair.com/pet/pdp/archie-oscar-algonquin-60-modern-folding-cat-tree-aosc1036.html> and accessed on Feb. 9, 2021.

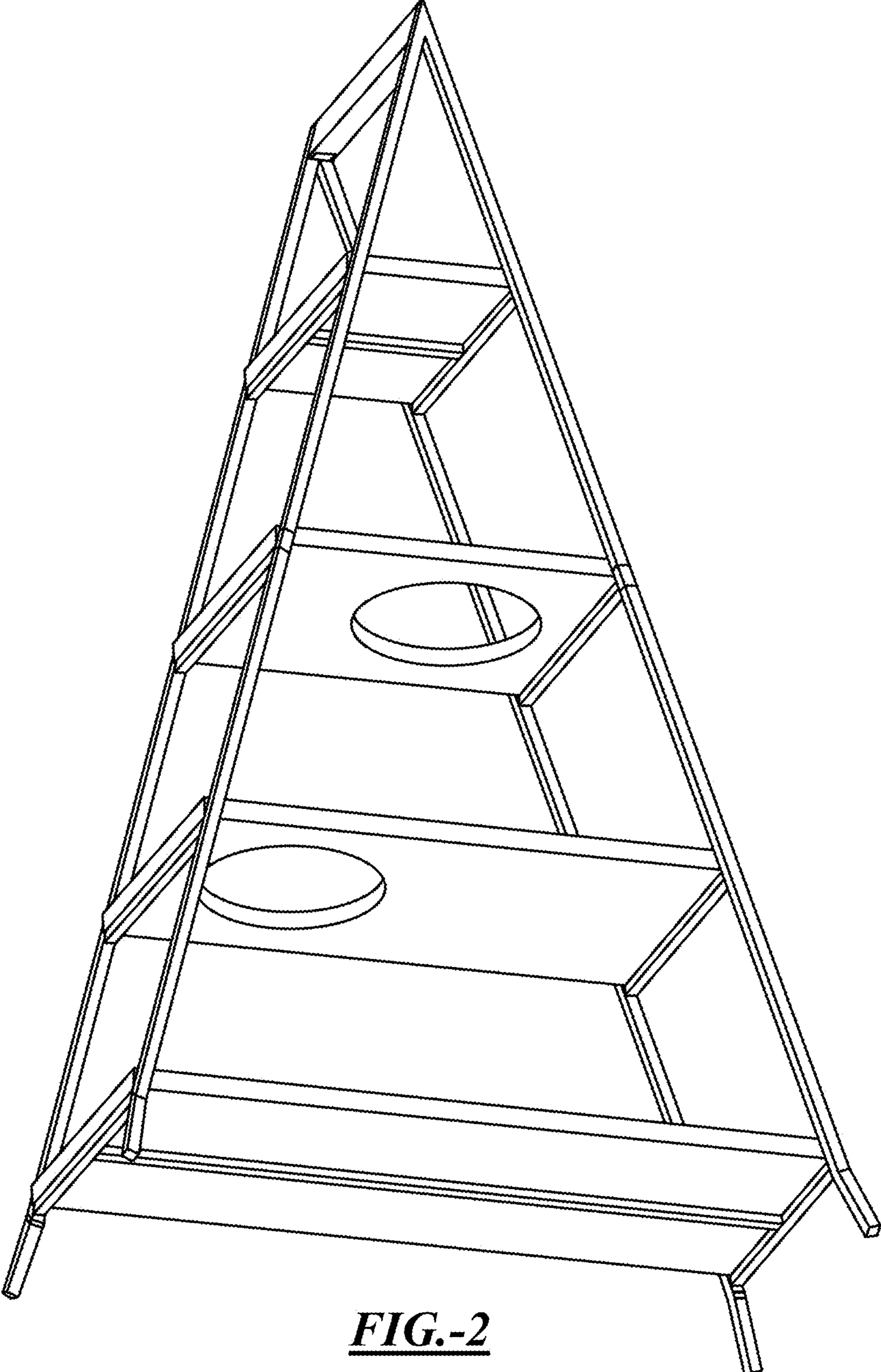
Beeztees Mirza Wooden Cat Scratching Post available at [https://www.amazon.de/Beeztees-Kratzbaum-Holz-135-Mirza/dp/B07L5KXMB1?language=en\\_GB](https://www.amazon.de/Beeztees-Kratzbaum-Holz-135-Mirza/dp/B07L5KXMB1?language=en_GB) and accessed on Feb. 9, 2021.

Modern Bookshelf Cat Tree by Boomer & George available at <https://www.hauspanther.com/2017/02/06/sleek-modern-cat-tree-boomer-george/> and accessed on Feb. 9, 2021.

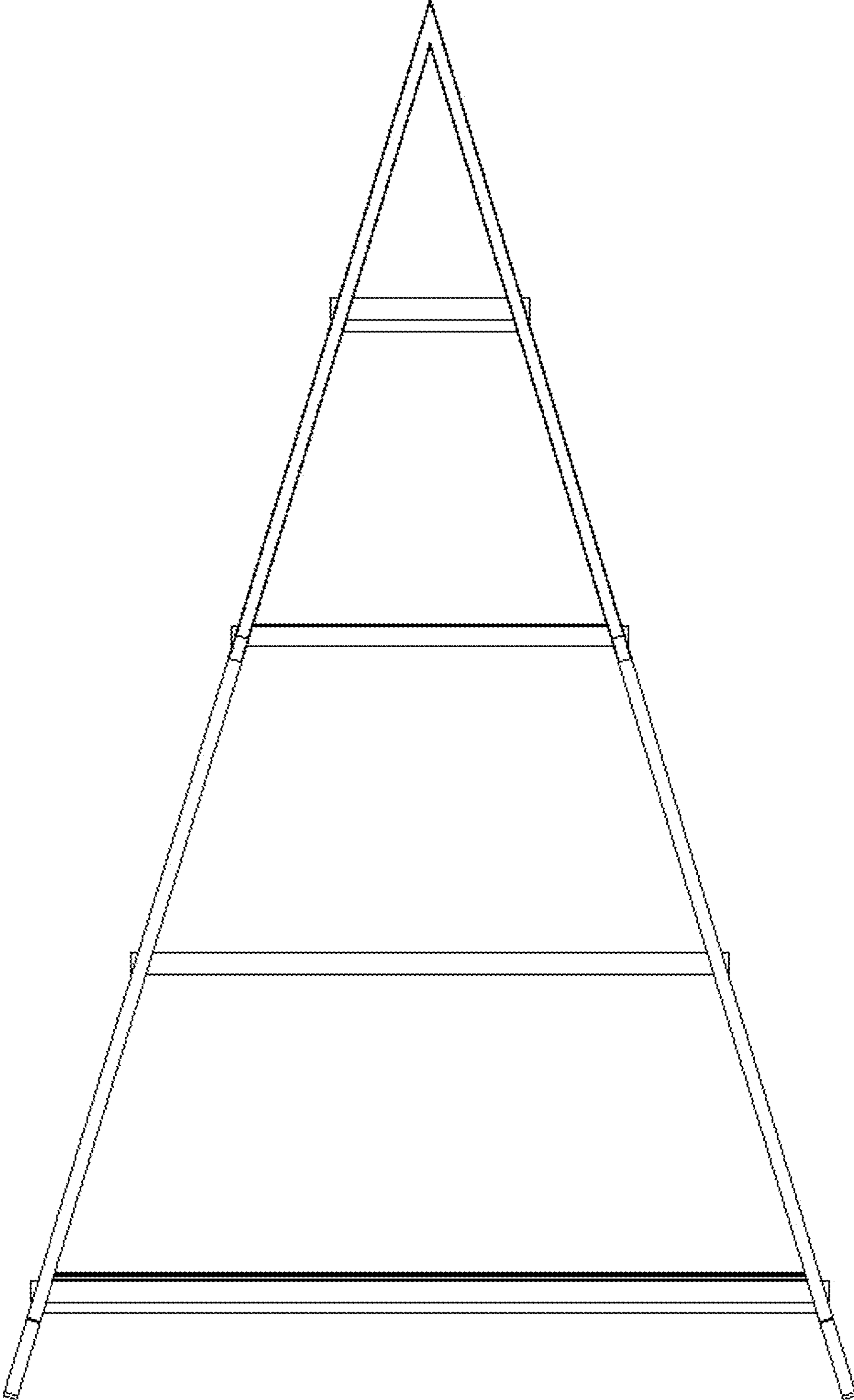
\* cited by examiner



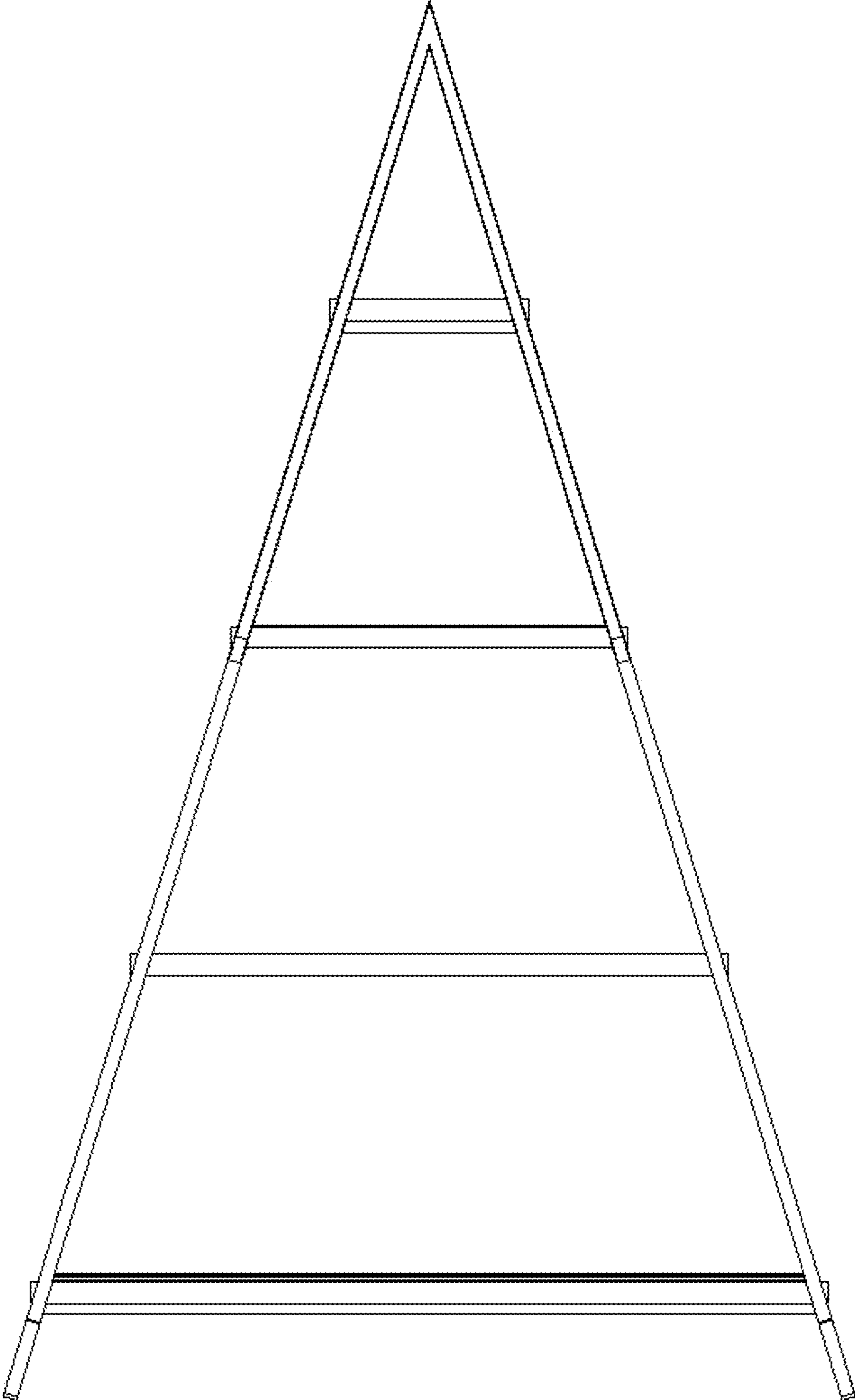
**FIG.-1**



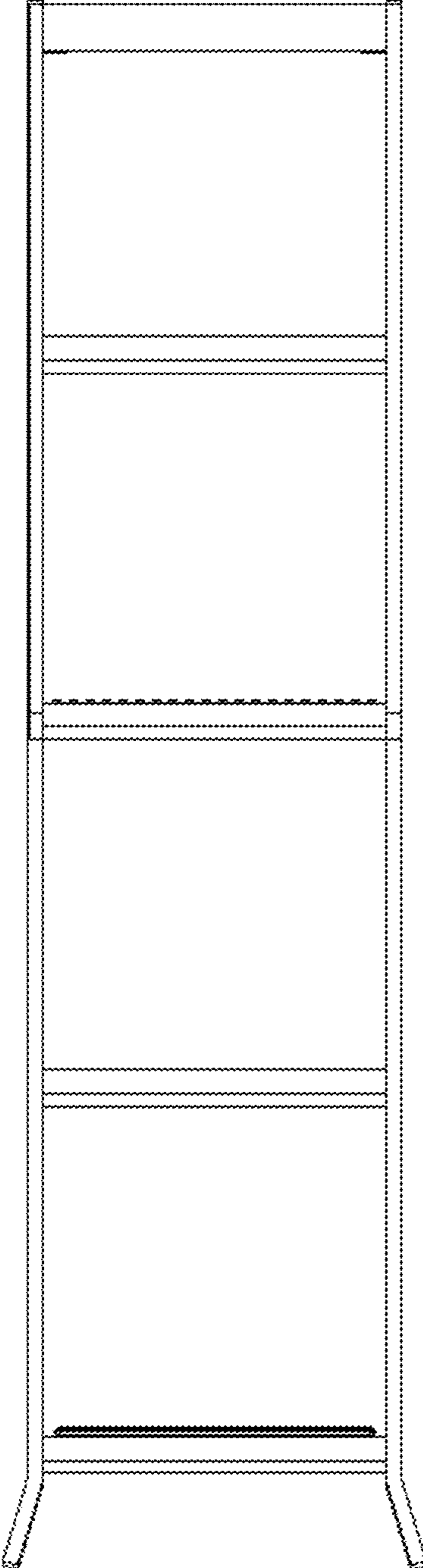
**FIG.-2**



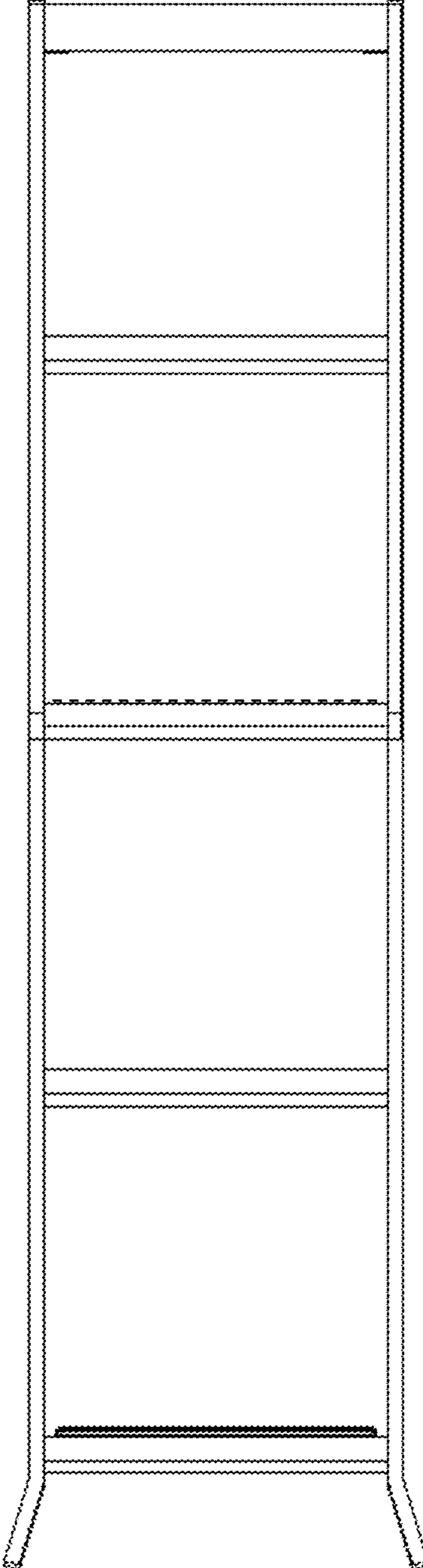
**FIG.-3**



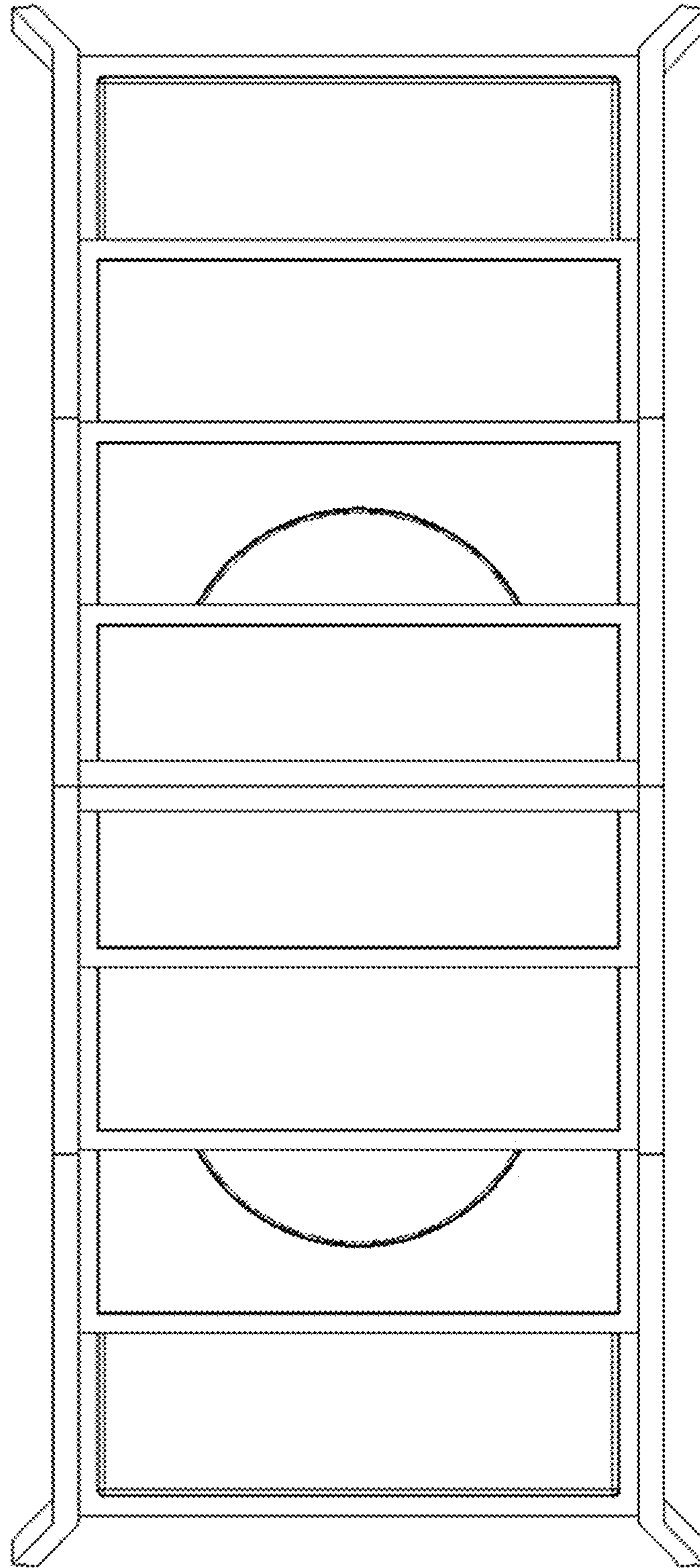
**FIG.-4**



**FIG.-5**

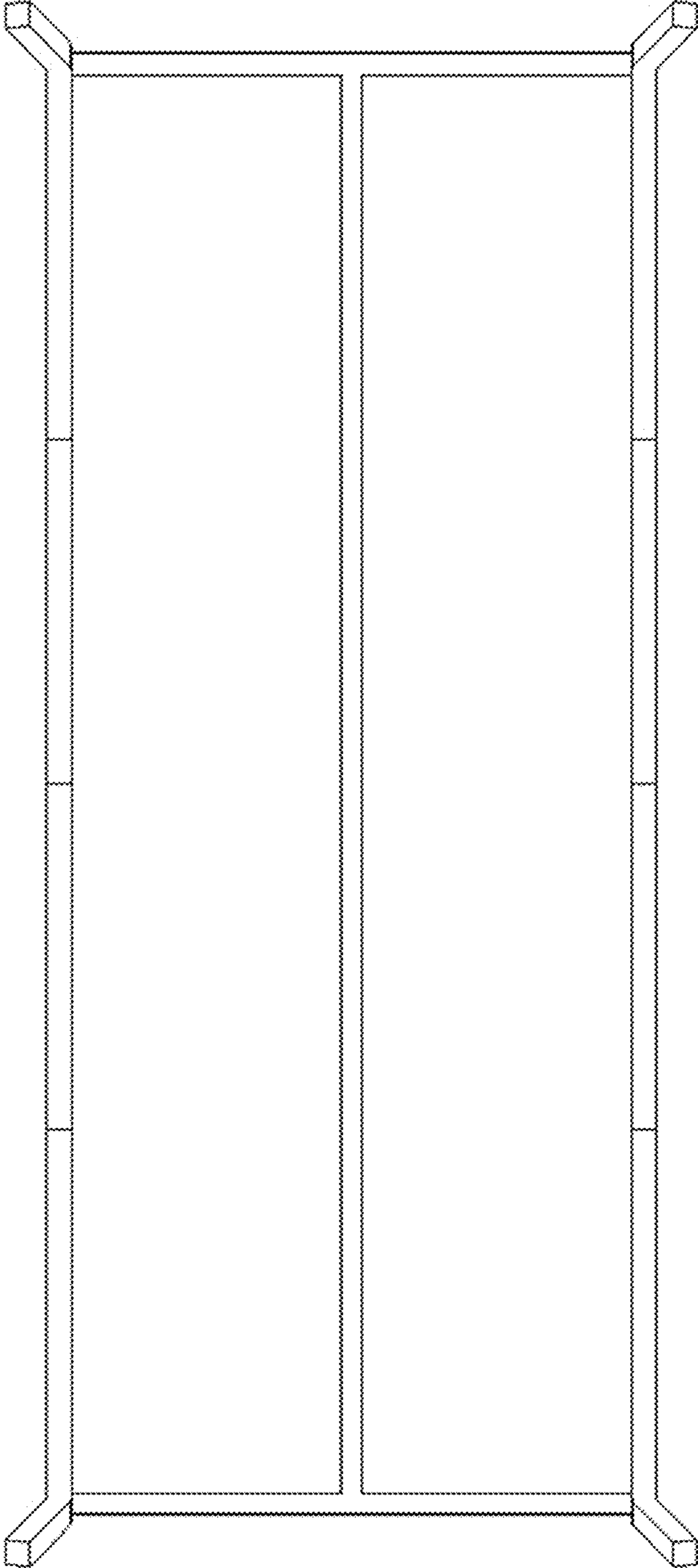


**FIG.-6**



**FIG.-7**





**FIG.-8**