



US00D982249S

(12) **United States Design Patent**
Packer et al.

(10) **Patent No.:** **US D982,249 S**
(45) **Date of Patent:** **** Mar. 28, 2023**

(54) **PET BED**

D860,662 S * 9/2019 Iwasaki D6/349
D883,686 S * 5/2020 Urquiola D6/336
D929,667 S * 8/2021 Silber D30/118

(71) Applicant: **WALKER EDISON FURNITURE COMPANY LLC**, Salt Lake City, UT (US)

(72) Inventors: **Richard Packer**, Kaysville, UT (US);
Alexa Naylor, South Jordan, UT (US)

(73) Assignee: **Walker Edison Furniture Company LLC**, West Jordan, UT (US)

(**) Term: **15 Years**

(21) Appl. No.: **29/743,591**

(22) Filed: **Jul. 22, 2020**

(51) **LOC (14) Cl.** **30-06**

(52) **U.S. Cl.**
USPC **D30/118**

(58) **Field of Classification Search**
USPC D30/108–120, 158–161; D21/520;
D6/601, 349, 595–597, 604, 382
CPC A01K 1/00; A01K 1/0272; A01K 1/0353;
A01K 1/035
See application file for complete search history.

(56) **References Cited**

U.S. PATENT DOCUMENTS

D481,210 S * 10/2003 Chipman D6/349
D640,482 S * 6/2011 Bassam D6/382
D663,077 S * 7/2012 Pohl D30/118
D666,782 S * 9/2012 Wygle D30/118
D847,525 S * 5/2019 Smith D6/361
D859,863 S * 9/2019 Iwasaki D6/349

OTHER PUBLICATIONS

Walker Edison Modern Solid Wood, posted at amazon.com, earliest date reviewed on Jun. 4, 2021, [online], acquired on Nov. 6, 2021, Available on internet. url:https://www.amazon.com/Walker-Edison-Furniture-Company-Backyard/dp/B08DKH1LK9?th=1 (Year: 2021).*

* cited by examiner

Primary Examiner — Aula Soroush

(74) *Attorney, Agent, or Firm* — Workman Nydegger

(57) **CLAIM**

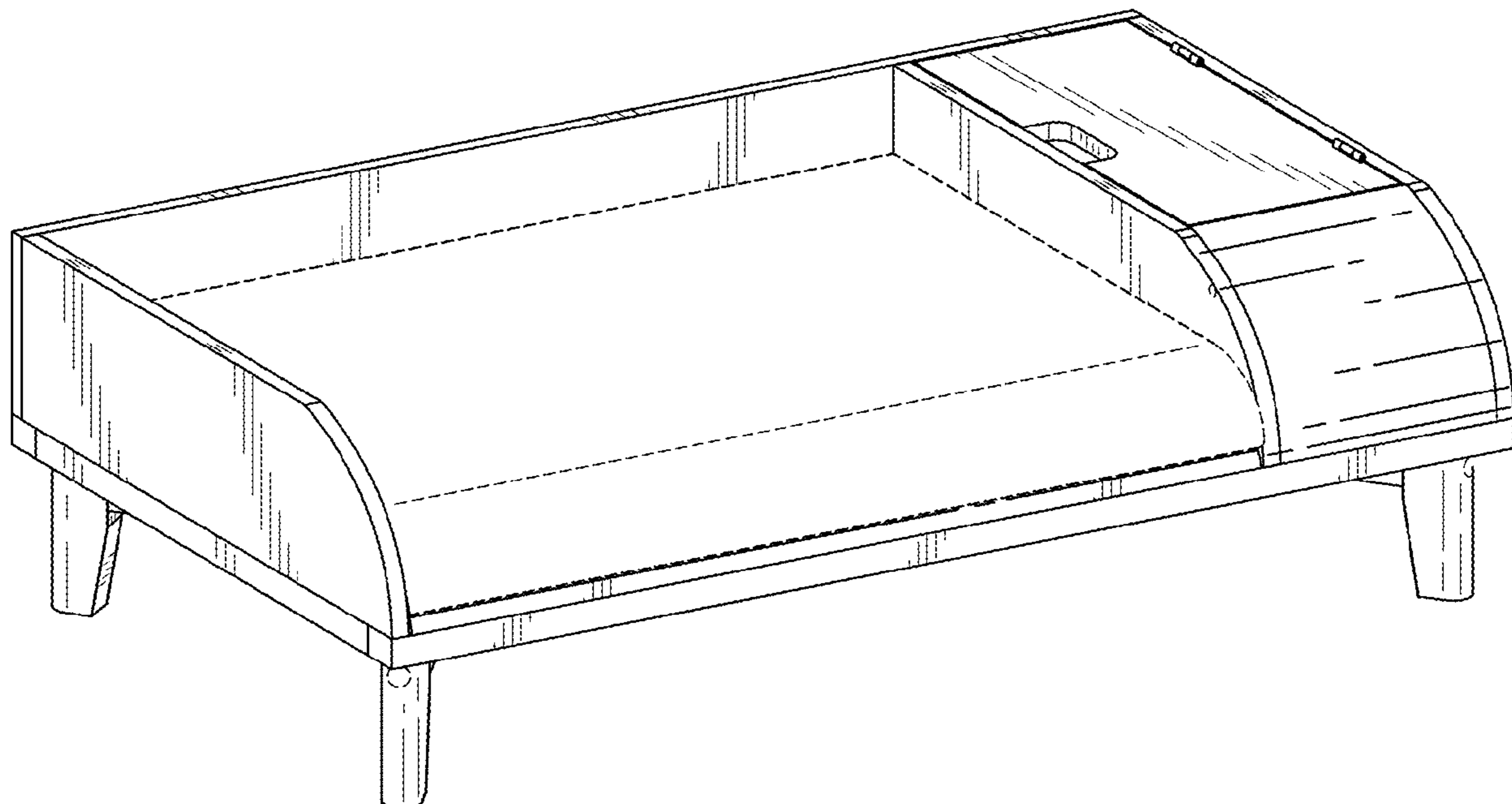
The ornamental design for a pet bed, as shown and described.

DESCRIPTION

FIG. 1 is a front perspective view of a pet bed showing the new design, in use condition;
FIG. 2 is a front perspective view thereof;
FIG. 3 is a front elevation view thereof;
FIG. 4 is a back elevation view thereof;
FIG. 5 is a top plan view thereof;
FIG. 6 is a bottom plan view thereof;
FIG. 7 is a right elevation view thereof; and,
FIG. 8 is a left elevation view thereof.

The broken lines in the drawings are for the purpose of illustrating portions of the article that form no part of the claimed design.

1 Claim, 4 Drawing Sheets



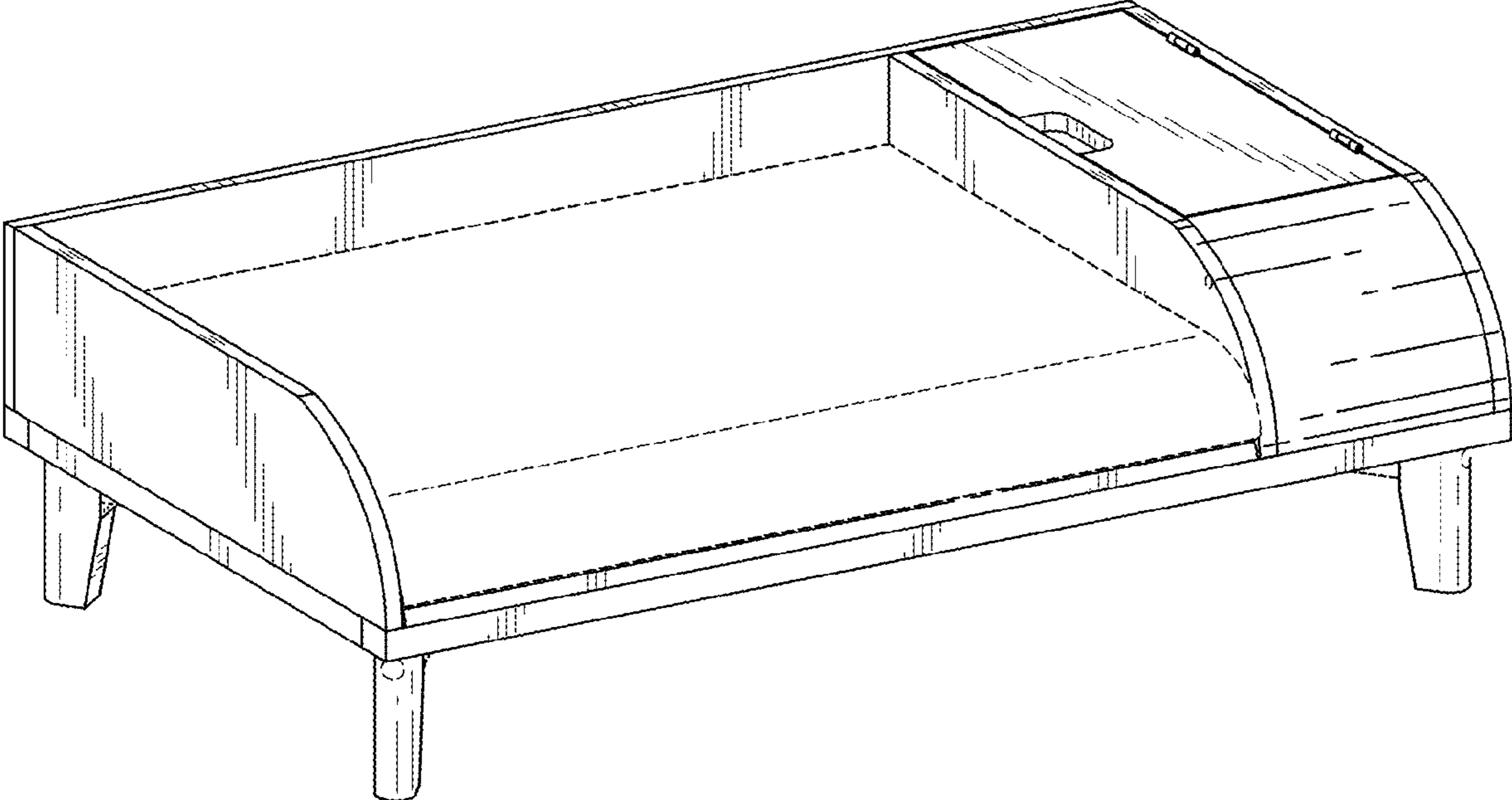


FIG. 1

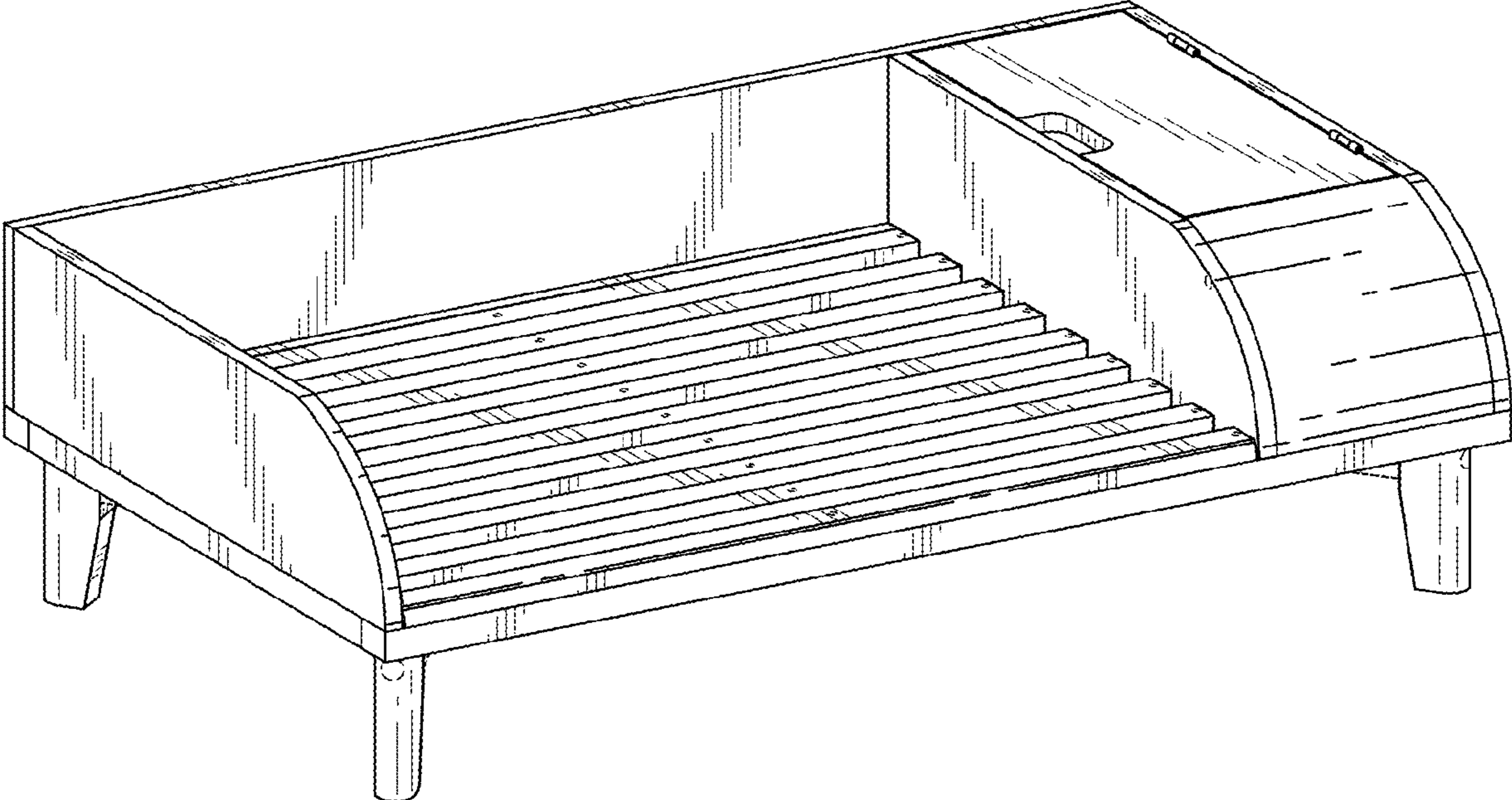


FIG. 2

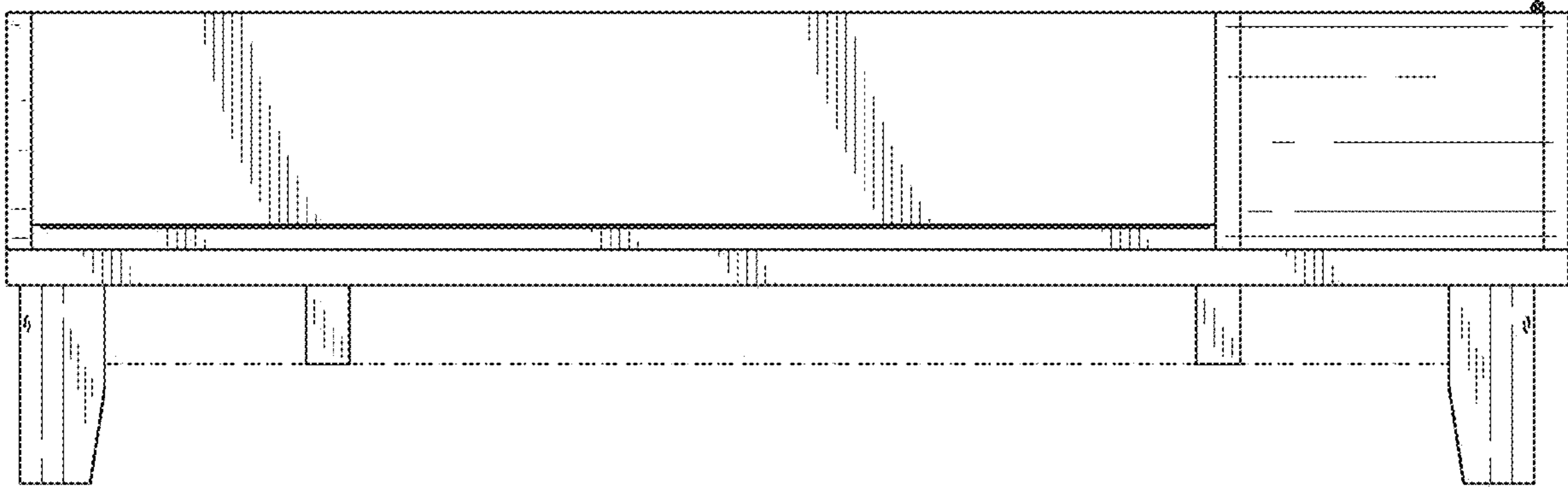


FIG. 3

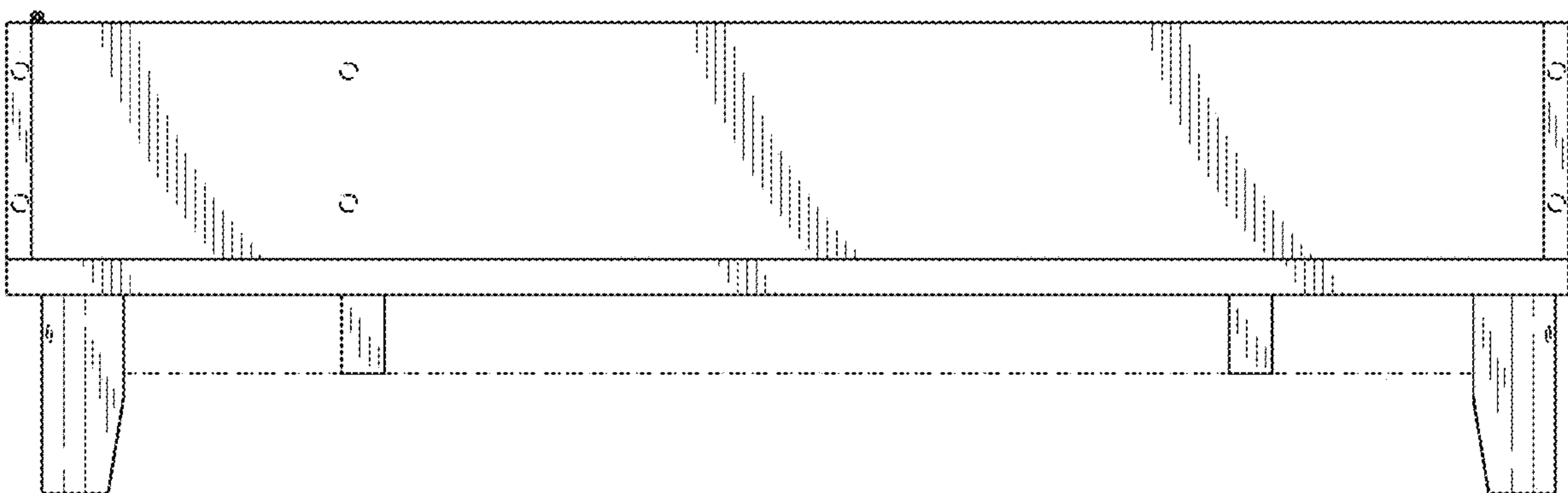


FIG. 4

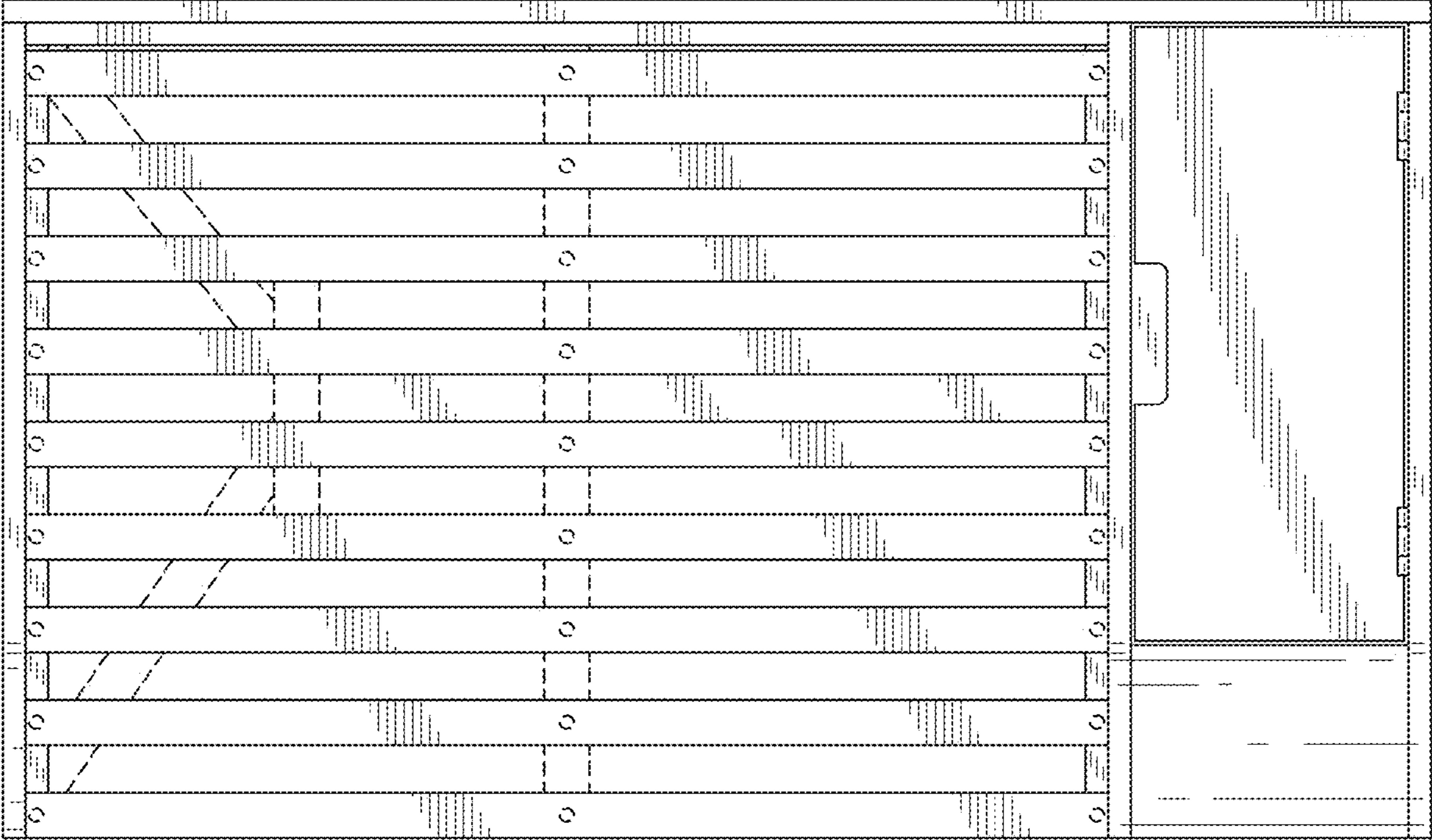


FIG. 5

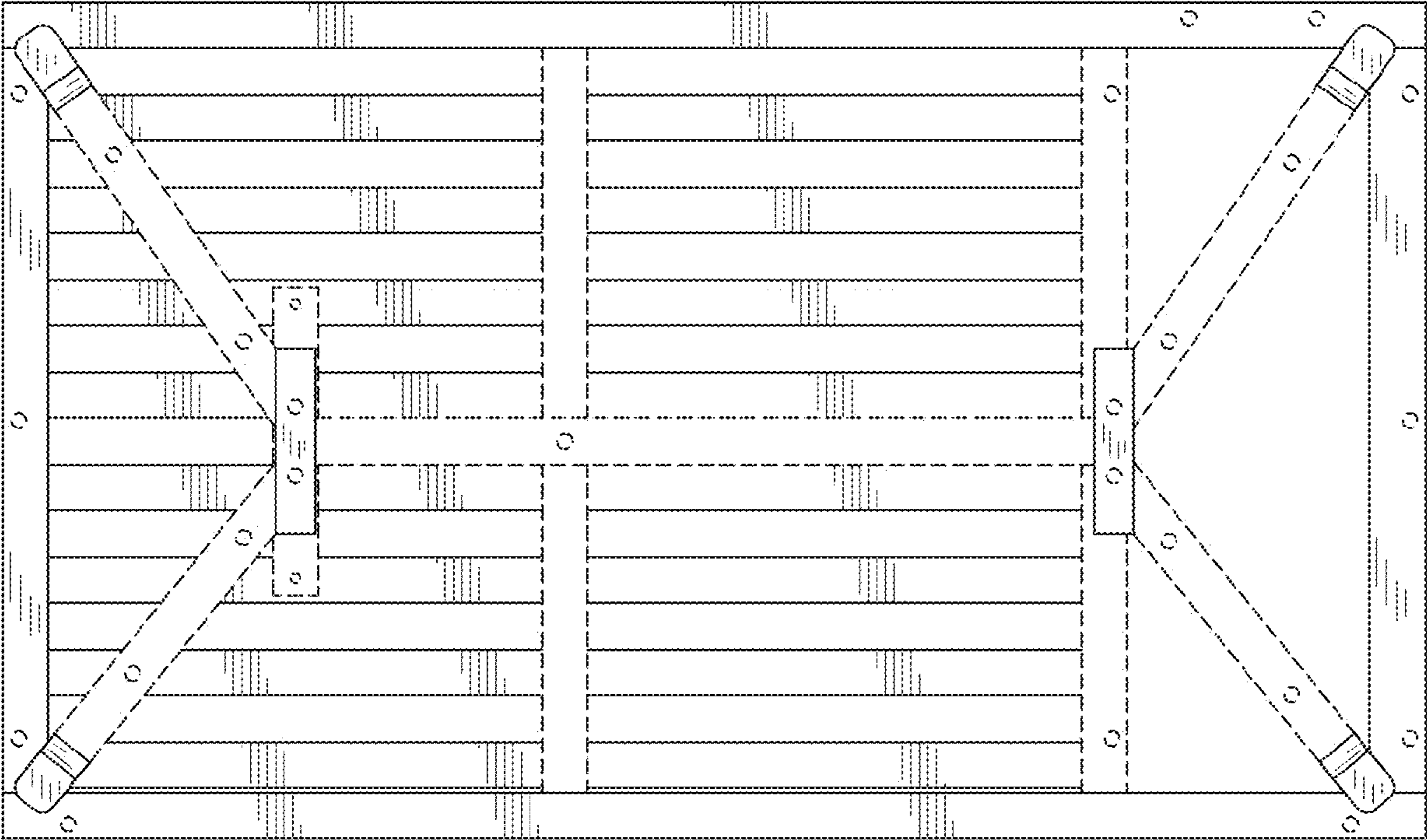


FIG. 6

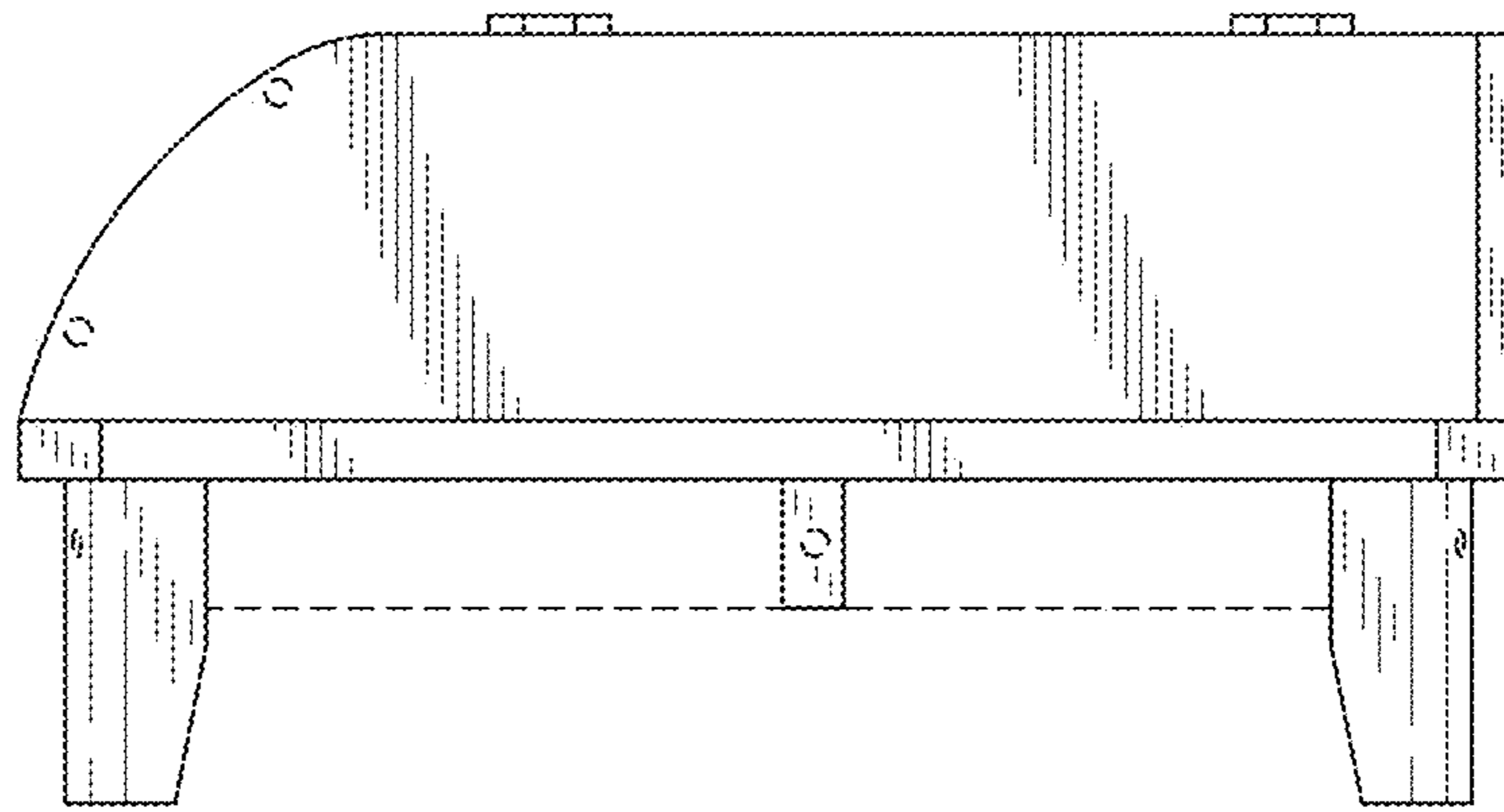


FIG. 7

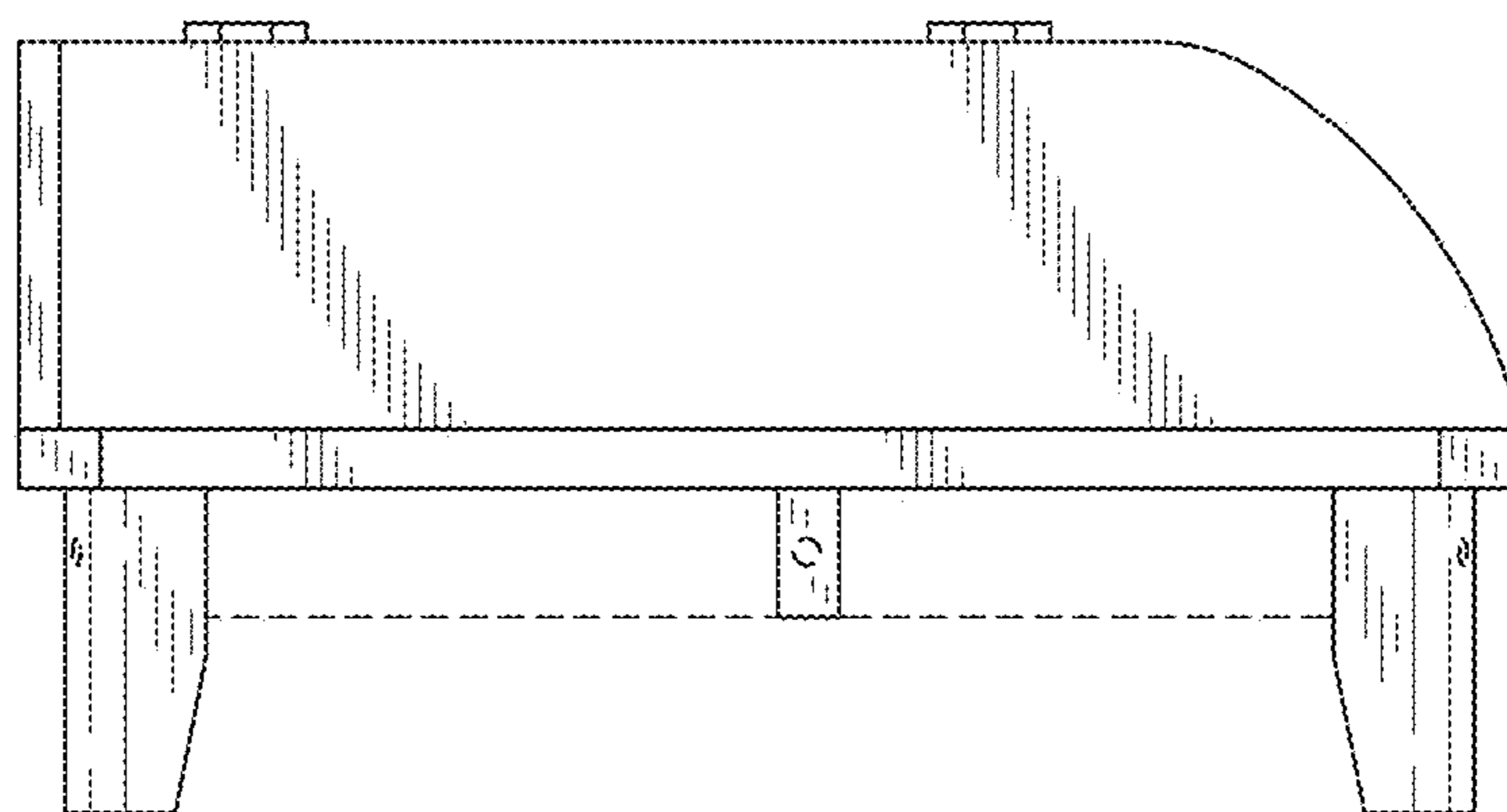


FIG. 8