



US00D982248S

(12) **United States Design Patent** (10) **Patent No.:** **US D982,248 S**  
**Wu** (45) **Date of Patent:** **\*\* Mar. 28, 2023**

(54) **PET CARRIER**  
(71) Applicant: **Jingwei Wu**, Gaobeidian (CN)  
(72) Inventor: **Jingwei Wu**, Gaobeidian (CN)  
(\*\*) Term: **15 Years**  
(21) Appl. No.: **29/778,551**  
(22) Filed: **Apr. 14, 2021**  
(51) **LOC (14) Cl.** ..... **30-02**  
(52) **U.S. Cl.**  
USPC ..... **D30/109**  
(58) **Field of Classification Search**  
USPC ..... D30/108, 109, 112, 113, 114, 115, 116,  
D30/117, 119, 160, 199; D3/217, 232,  
D3/273, 276, 279, 282, 288, 294, 299,  
D3/301, 305  
CPC .. A01K 15/0125; A01K 15/02; A01K 15/025;  
A01K 15/035; A01K 15/031; A01K  
1/0035; A01K 1/0125; A01K 1/0245;  
A01K 1/0254; A01K 1/029; A01K 1/03;  
A01K 1/031; A01K 1/032; A01K 1/033;  
A01K 1/034; A01K 31/002; A01K  
31/005; A01K 31/07; A01K 31/08; A01D  
45/005; B65D 85/50; B65D 5/4295;  
B65D 11/18; B65D 2205/00; B65D  
2205/02  
See application file for complete search history.

D915,769 S \* 4/2021 Wang ..... D3/315  
D920,588 S \* 5/2021 Chen ..... D30/108  
D929,666 S \* 8/2021 He ..... A01K 1/0272  
D30/108  
D954,356 S \* 6/2022 Lin ..... D30/109  
D968,716 S \* 11/2022 Wang ..... D30/109  
2011/0203528 A1\* 8/2011 Northrop ..... A01K 1/033  
119/497  
2021/0259199 A1\* 8/2021 Lin ..... A01K 1/0272

**FOREIGN PATENT DOCUMENTS**

CN 306407257 \* 3/2021  
EM 008180442-0001 \* 9/2020

\* cited by examiner

*Primary Examiner* — Sheryl Lane  
*Assistant Examiner* — Emily A Caven

(57) **CLAIM**

The ornamental design for a pet carrier, as shown and described.

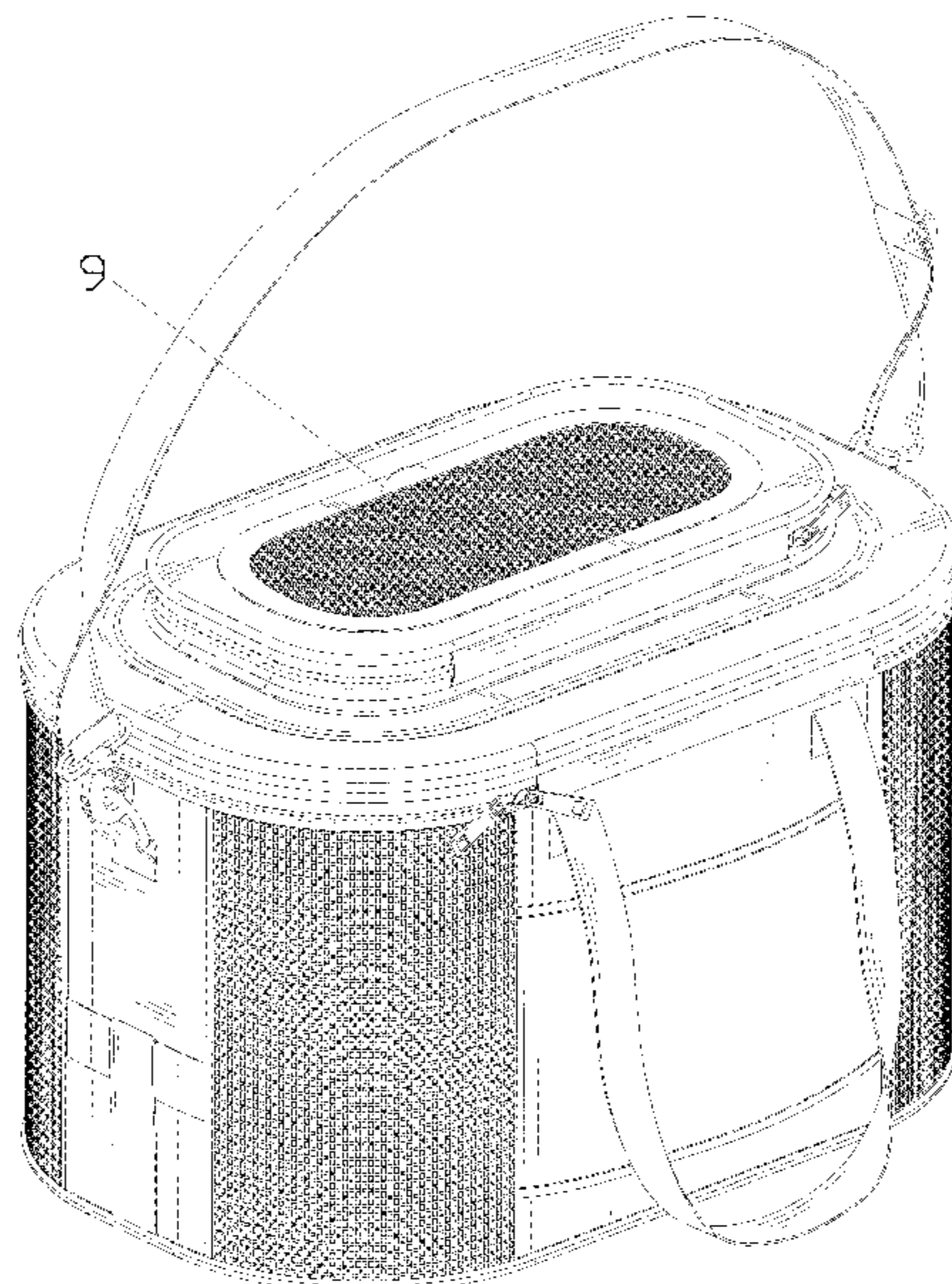
**DESCRIPTION**

FIG. 1 is a perspective view of a pet carrier showing my new design;  
FIG. 2 is another perspective view thereof;  
FIG. 3 is a front elevational view thereof;  
FIG. 4 is a rear elevational view thereof;  
FIG. 5 is a left side elevational view thereof;  
FIG. 6 is a right side elevational view thereof;  
FIG. 7 is a top plan view thereof;  
FIG. 8 is a bottom plan view thereof.  
FIG. 9 is an enlarged view of portion 9 shown in FIG. 1; and,  
FIG. 10 is an enlarged view of portion 10 shown in FIG. 2.  
The dashed broken lines illustrate portions of the article that form no part of the claimed design, and the two-dash broken lines define the bounds of an enlarged view in FIGS. 1, 2, 9, and 10 and form no part of the claimed design.

**1 Claim, 10 Drawing Sheets**

(56) **References Cited**  
**U.S. PATENT DOCUMENTS**

D449,441 S \* 10/2001 Jackson ..... A01K 1/033  
D3/276  
D548,408 S \* 8/2007 Martz ..... D3/273  
D575,461 S \* 8/2008 Cannon ..... D3/273  
D637,809 S \* 5/2011 Meldeau ..... D3/232  
D662,263 S \* 6/2012 Chau ..... D30/109  
D914,995 S \* 3/2021 El-Fakir ..... D30/109





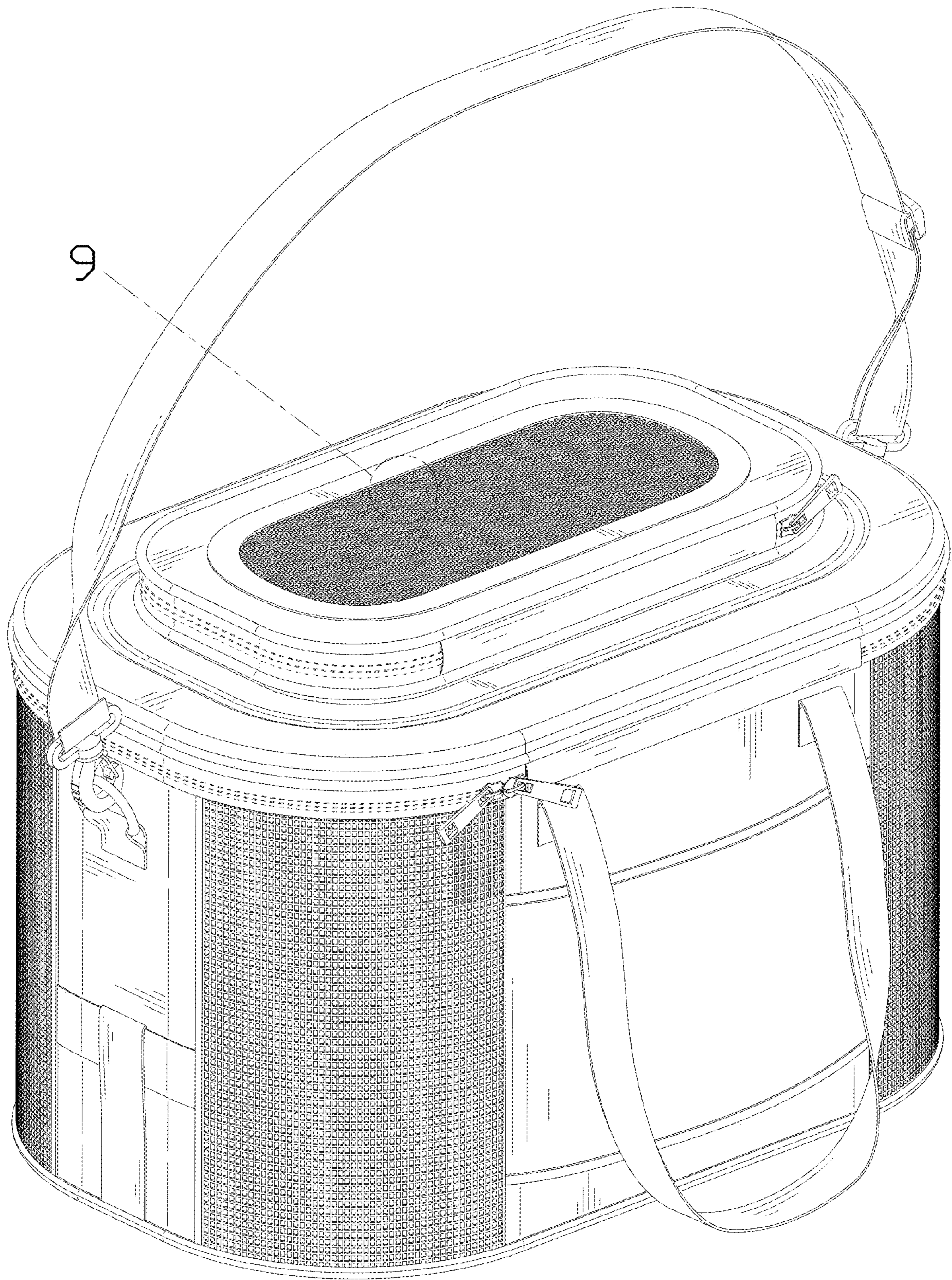


FIG. 1



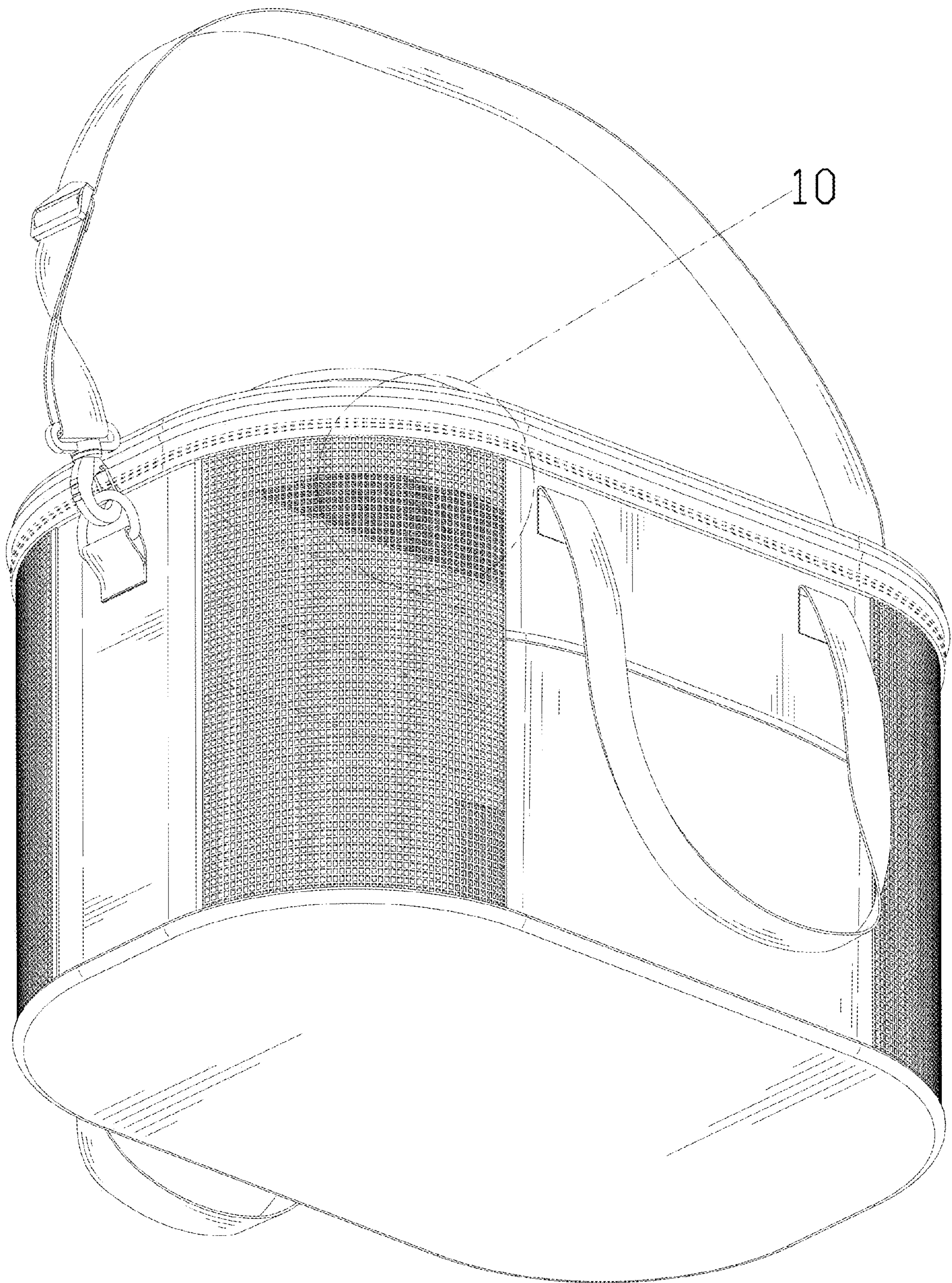


FIG. 2



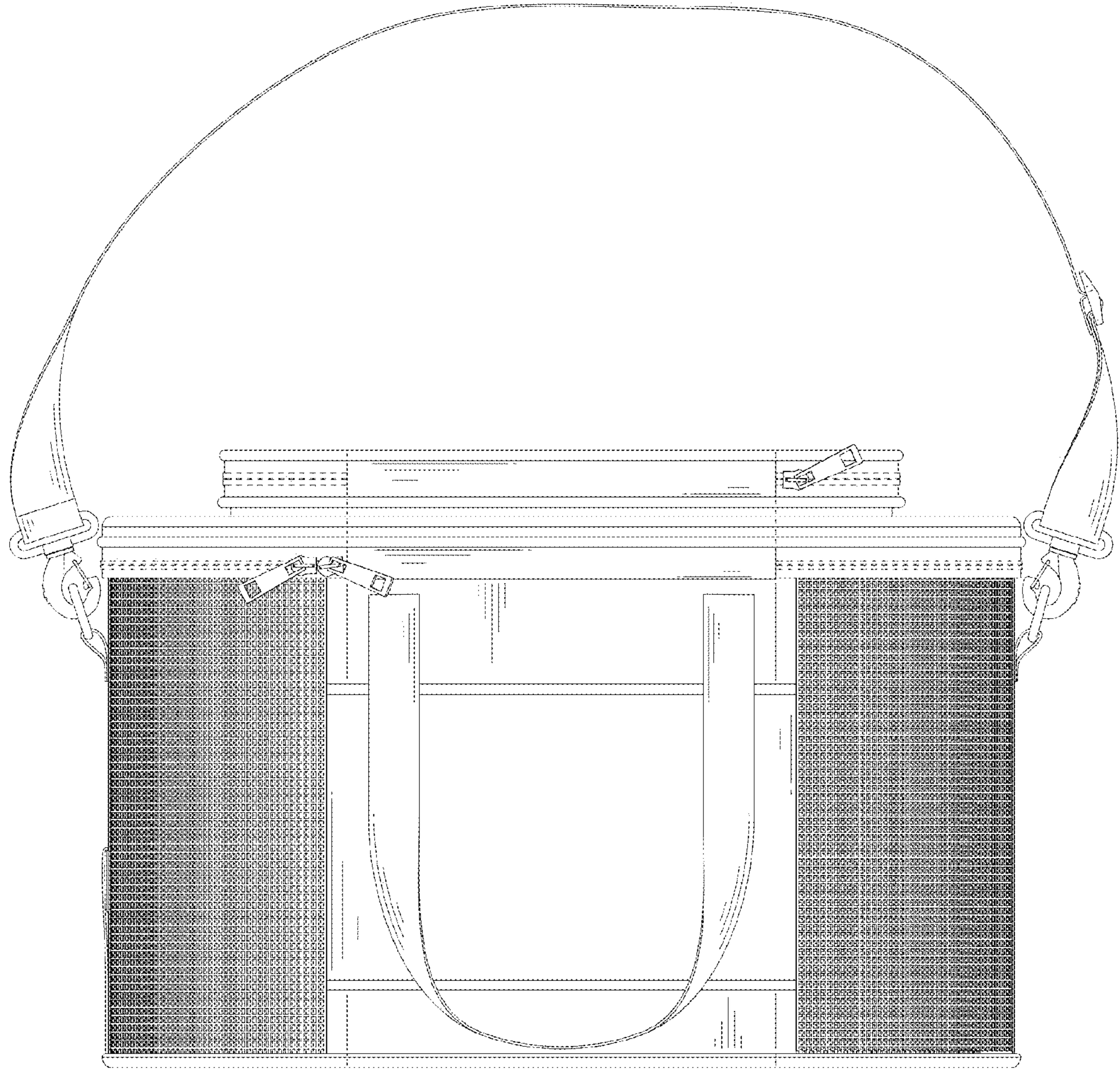


FIG. 3

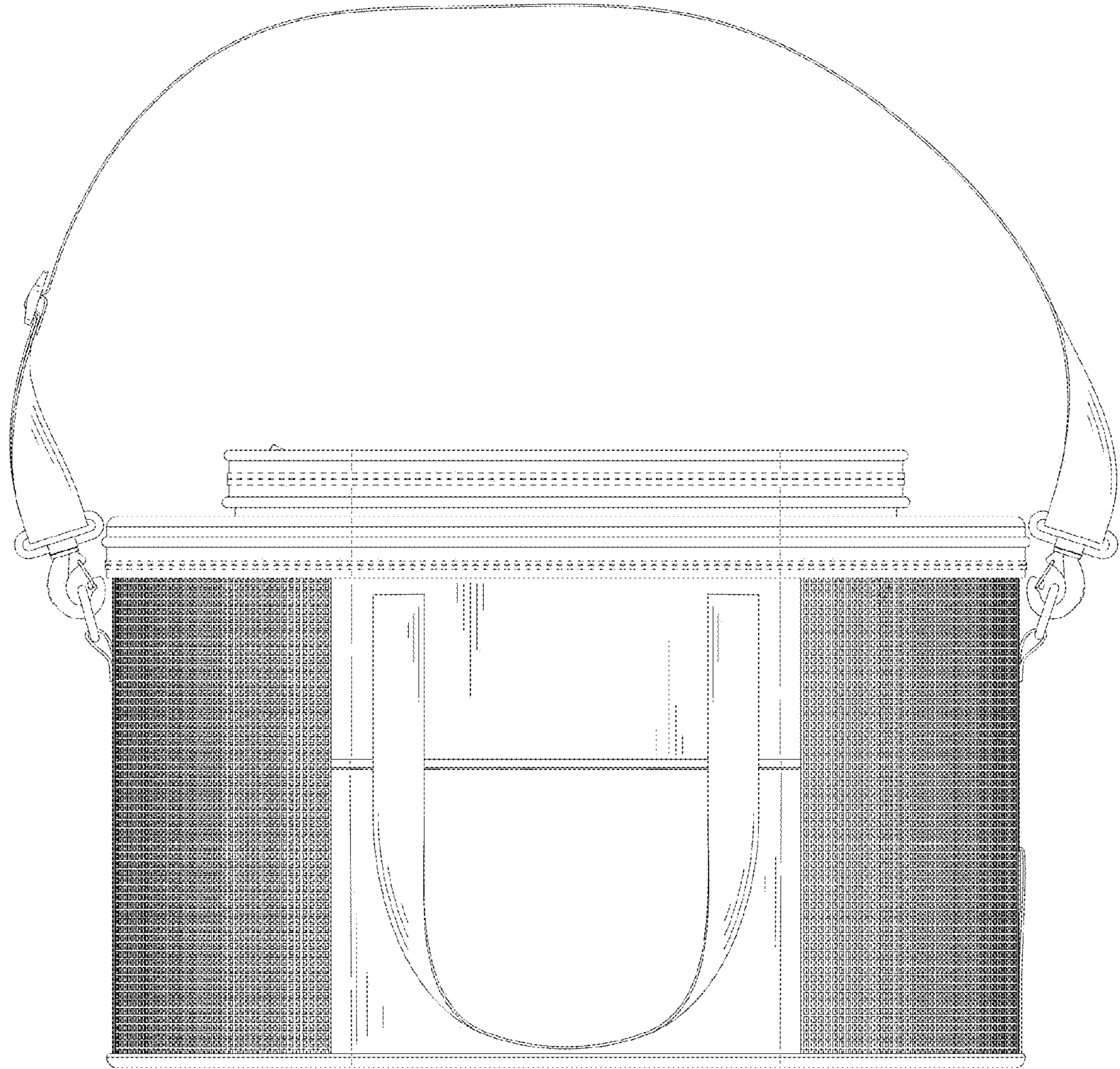


FIG. 4



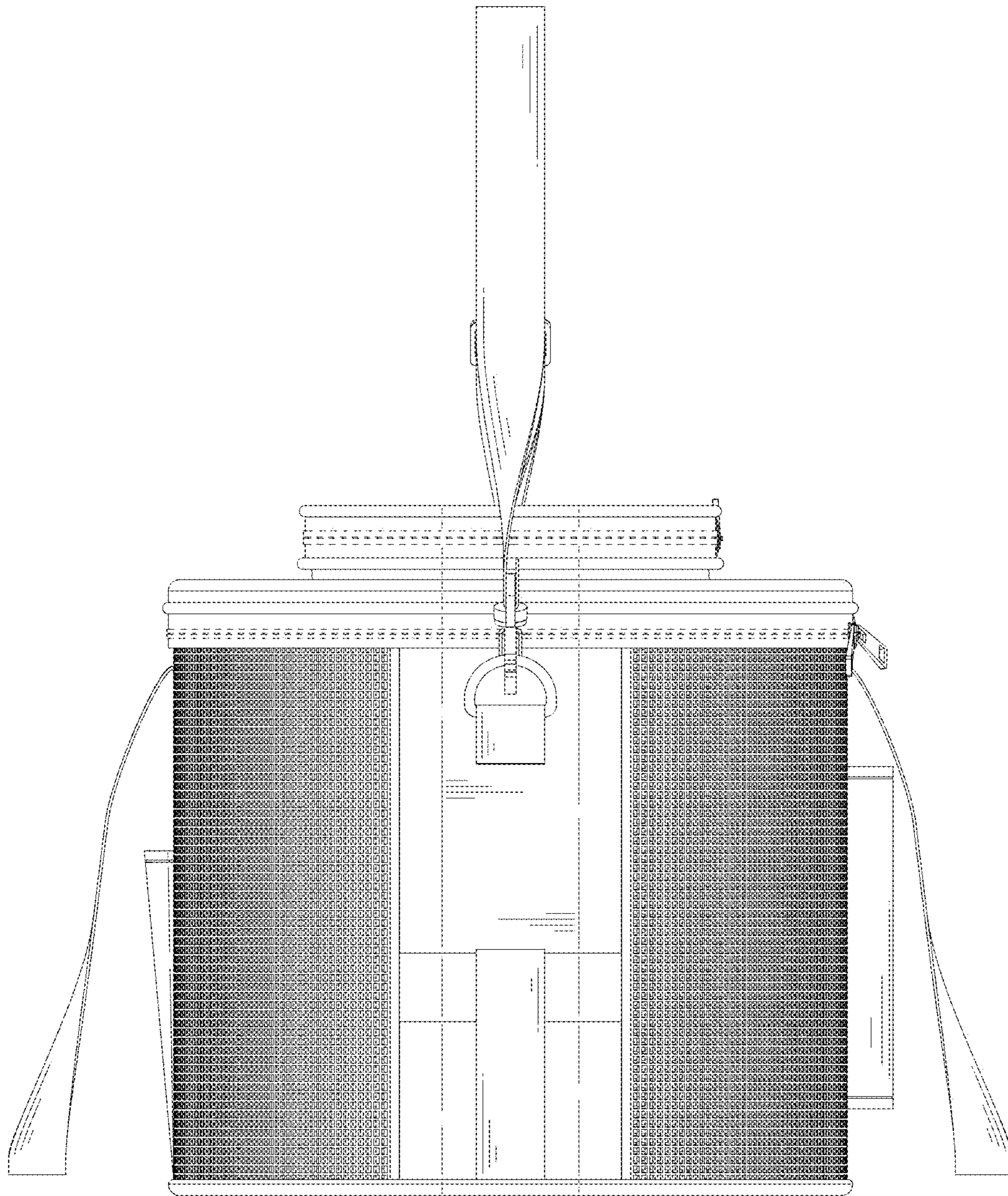


FIG. 5

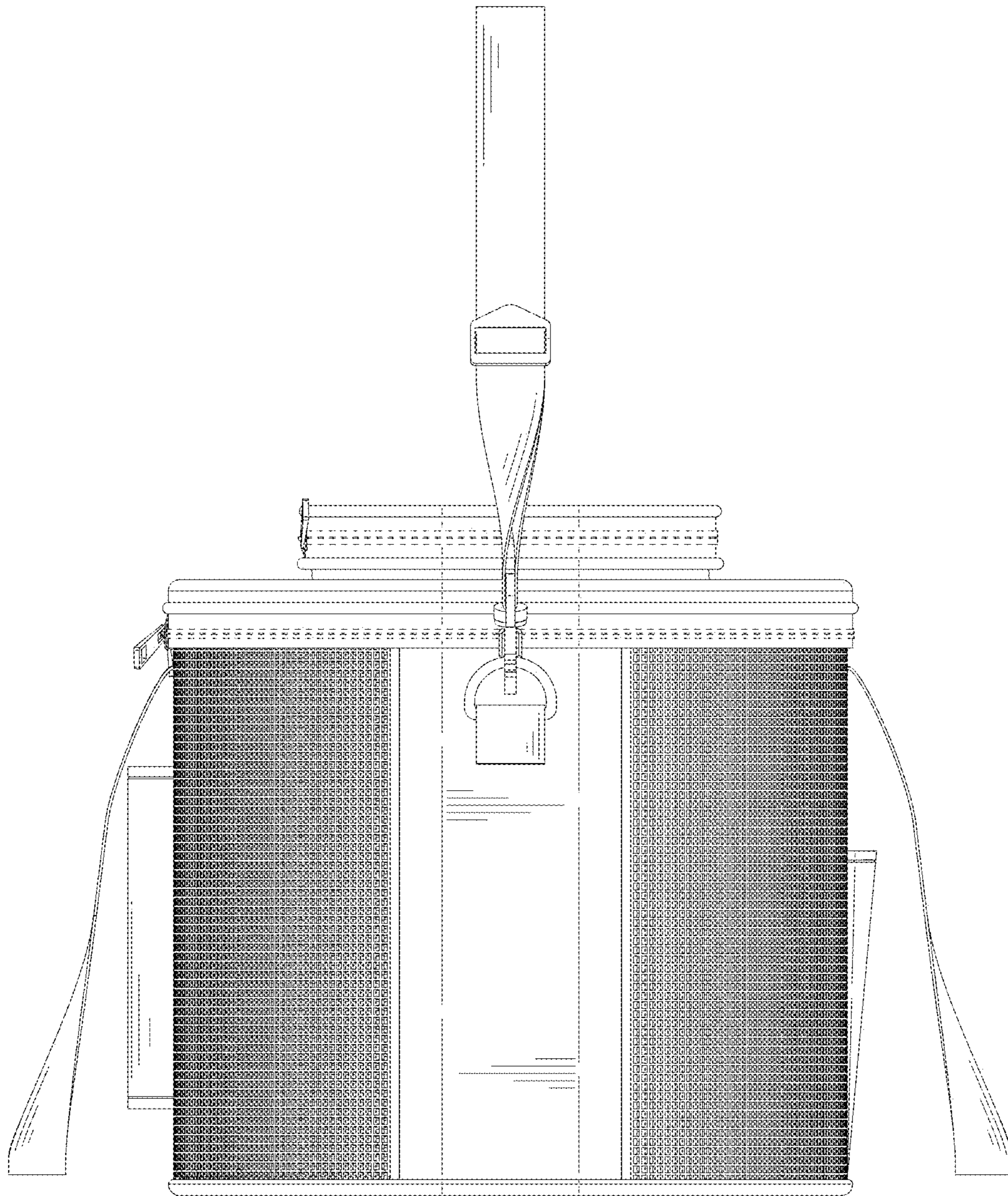


FIG. 6



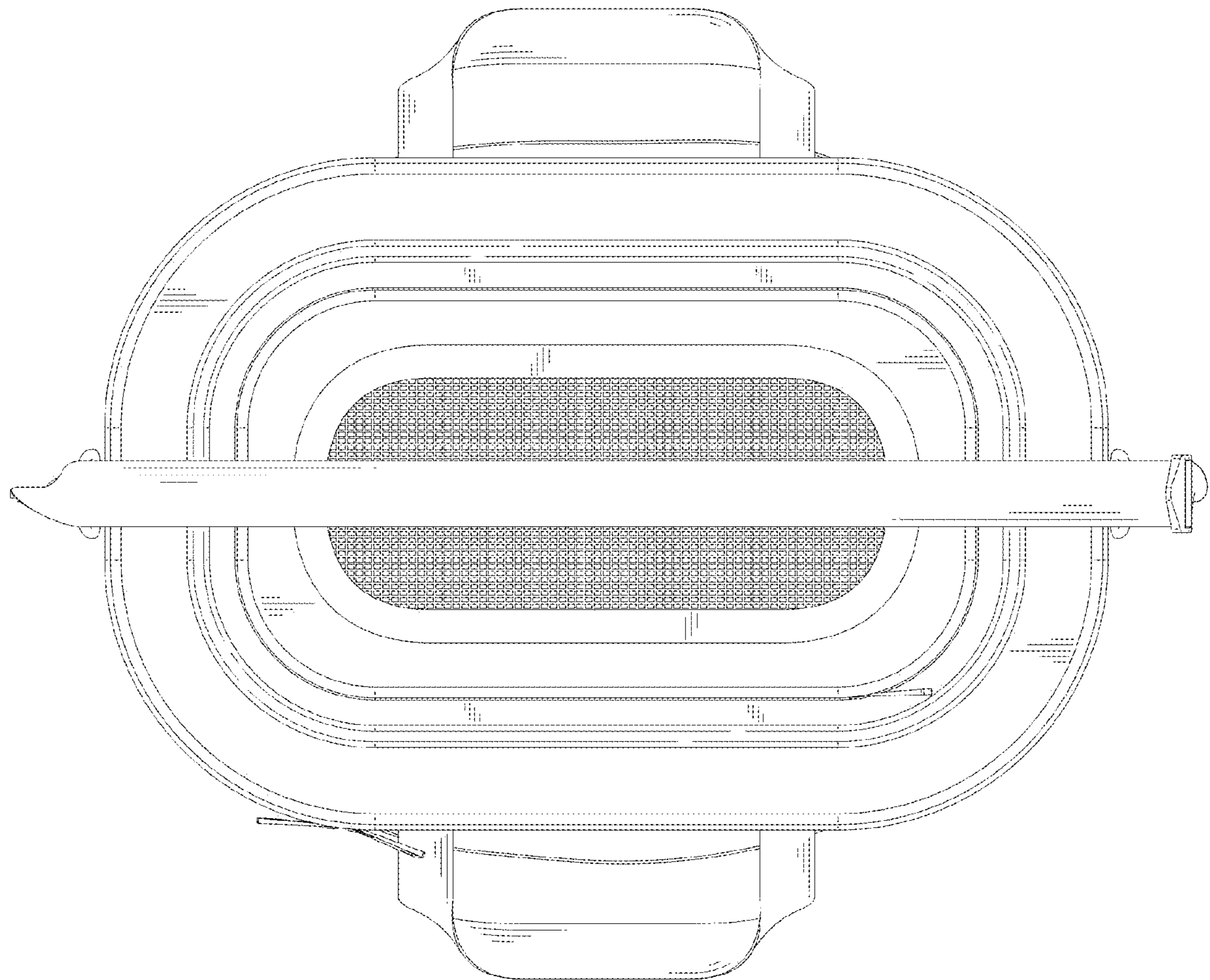


FIG. 7



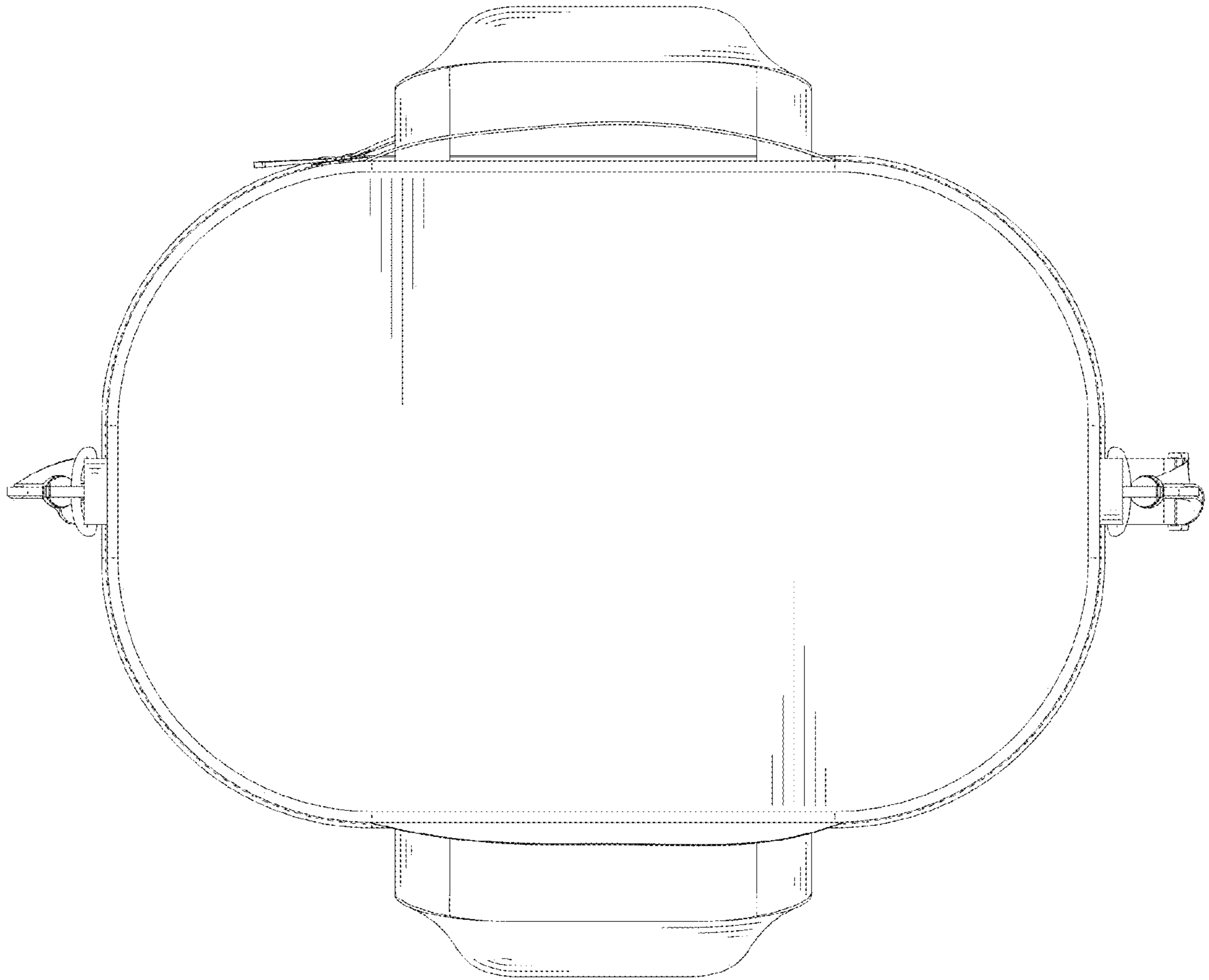


FIG. 8



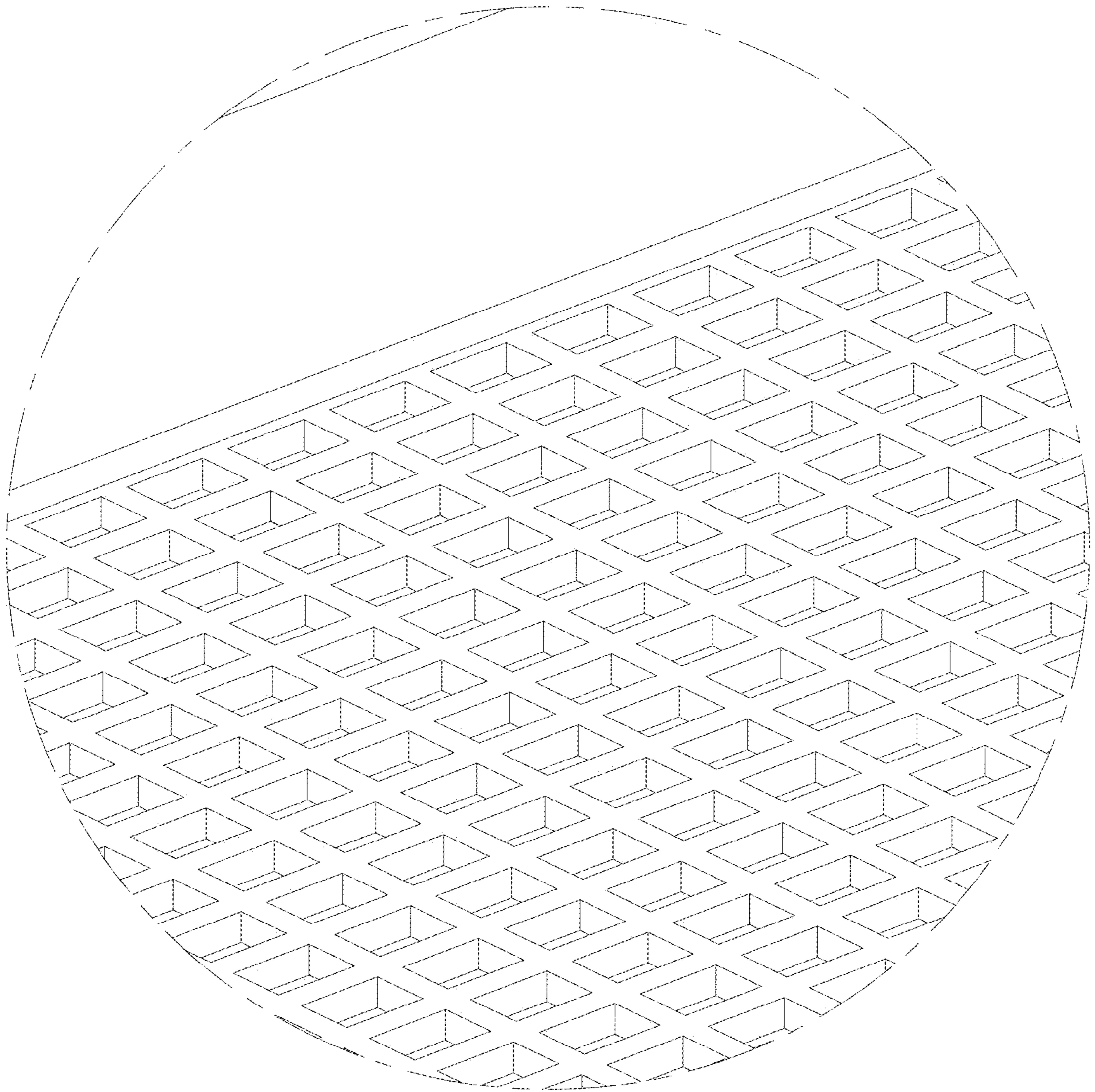


FIG. 9



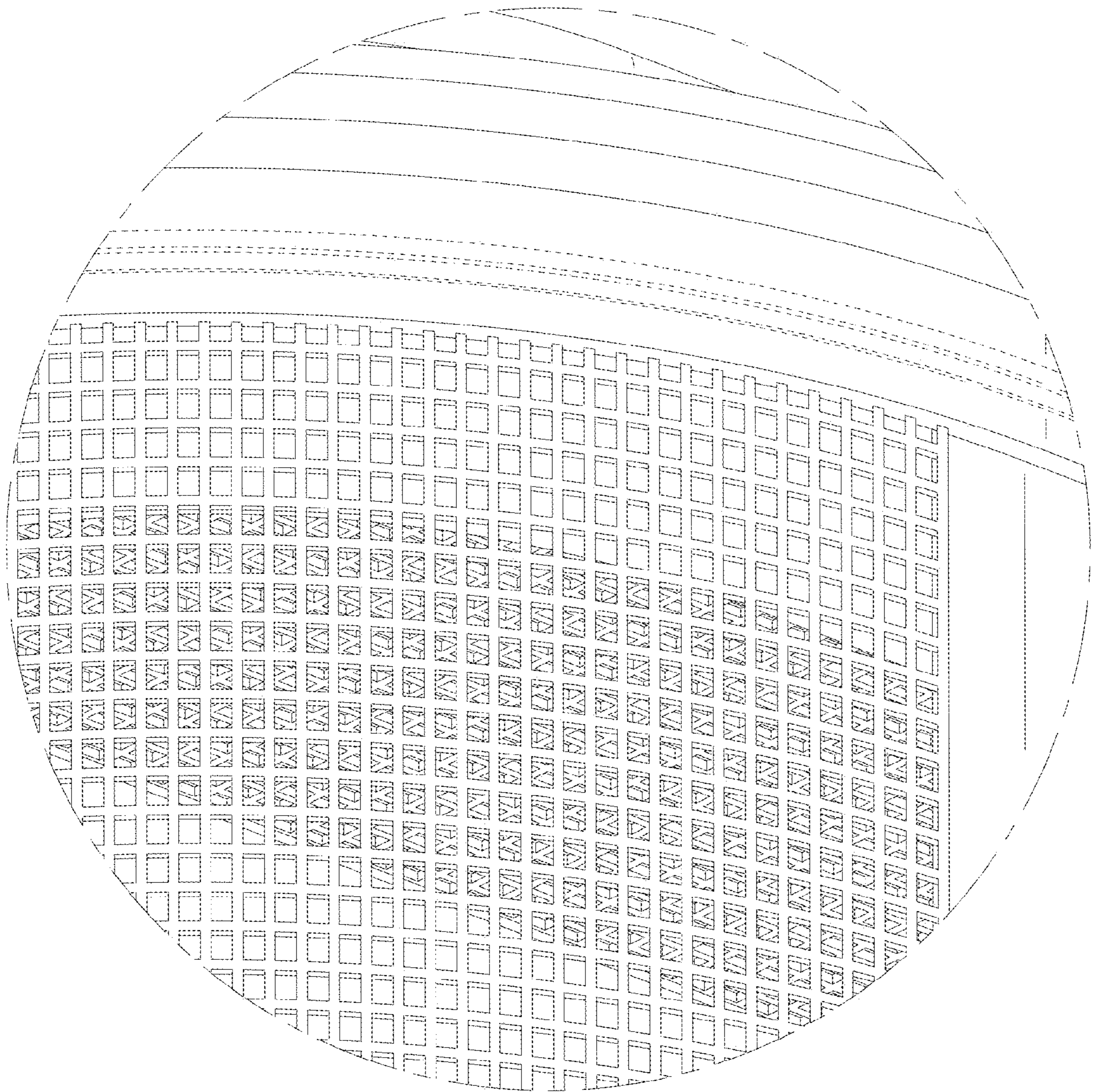


FIG. 10