



US00D982247S

(12) **United States Design Patent** (10) **Patent No.:** **US D982,247 S**
Chen (45) **Date of Patent:** **** Mar. 28, 2023**

(54) **PET CARRIER**

FOREIGN PATENT DOCUMENTS

(71) Applicant: **Li-Chen Chen**, Tainan (TW)

CN 305288327 S 8/2019

(72) Inventor: **Li-Chen Chen**, Tainan (TW)

JP D1490492 S 2/2014

JP D1569232 S 2/2017

KR 300565480 7/2010

(**) Term: **15 Years**

(Continued)

(21) Appl. No.: **29/728,632**

Primary Examiner — Aula Soroush

(74) *Attorney, Agent, or Firm* — CKC & Partners Co., LLC

(22) Filed: **Mar. 19, 2020**

(57) **CLAIM**

(51) **LOC (14) Cl.** **30-02**

The ornamental design for a pet carrier, as shown and described.

(52) **U.S. Cl.**

DESCRIPTION

USPC **D30/109**

(58) **Field of Classification Search**

USPC D30/108–120; D3/201, 203.1, 203.6, D3/203.7, 213, 216, 217, 232, 235, 242, D3/243, 245–246, 273, 276, 269, 271.2, D3/274, 283, 289–290, 301, 303, 900, D3/902, 904

CPC ... A01K 1/00; A01K 1/01; A01K 1/02; A01K 1/03; A01K 31/00; A01K 31/06; A01K 31/07; A01K 31/08; A01K 31/14; A01K 31/18; A01K 5/00; A01K 29/00; A47K 11/02; A45C 3/00; A45C 3/06; A45C 2003/008; A45C 2003/007; A45F 3/00; A45F 3/04; A45F 3/02

See application file for complete search history.

FIG. 1 is a perspective view of a first configuration of a pet carrier showing my new design;

FIG. 2 is another perspective view of my new design as configured in FIG. 1;

FIG. 3 is a front view of my new design as configured in FIG. 1;

FIG. 4 is a back view of my new design as configured in FIG. 1;

FIG. 5 is a left side view of my new design as configured in FIG. 1;

FIG. 6 is a right side view of my new design as configured in FIG. 1;

FIG. 7 is a top view thereof of my new design as configured in FIG. 1;

FIG. 8 is a bottom view of my new design as configured in FIG. 1;

FIG. 9 is another perspective view of my new design shown in use configuration; and,

FIG. 10 is an exploded view of my new design as configured in FIG. 1.

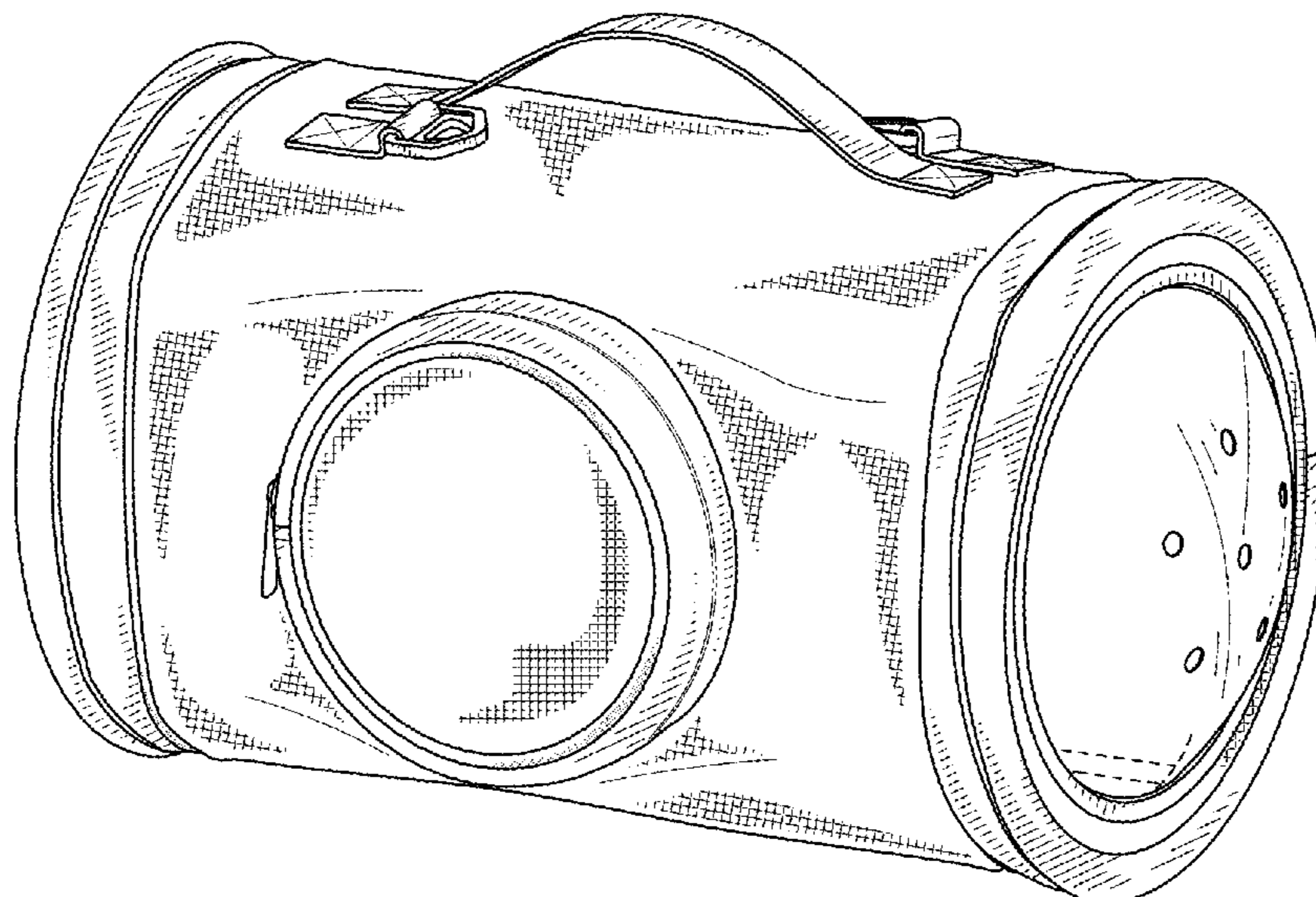
The broken lines in the drawings illustrate portions of the pet carrier that form no part of the claimed design. All other broken lines are illustrative of environmental structure and form no part of the claimed design.

(56) **References Cited**

U.S. PATENT DOCUMENTS

6,286,461 B1 * 9/2001 Martz A01K 1/0254
119/497
D524,995 S * 7/2006 Dudas D30/109
D619,310 S * 7/2010 Faulkner D30/161
D685,952 S * 7/2013 Dixon D30/109
D725,848 S 3/2015 So
D874,737 S * 2/2020 Lin D30/108
D907,916 S * 1/2021 Sawaya D3/240
D920,588 S * 5/2021 Chen D30/108

1 Claim, 7 Drawing Sheets



(56)

References Cited

FOREIGN PATENT DOCUMENTS

TW	D123065	6/2008
TW	D149738 S1	10/2012
TW	D188963 S	3/2018

* cited by examiner

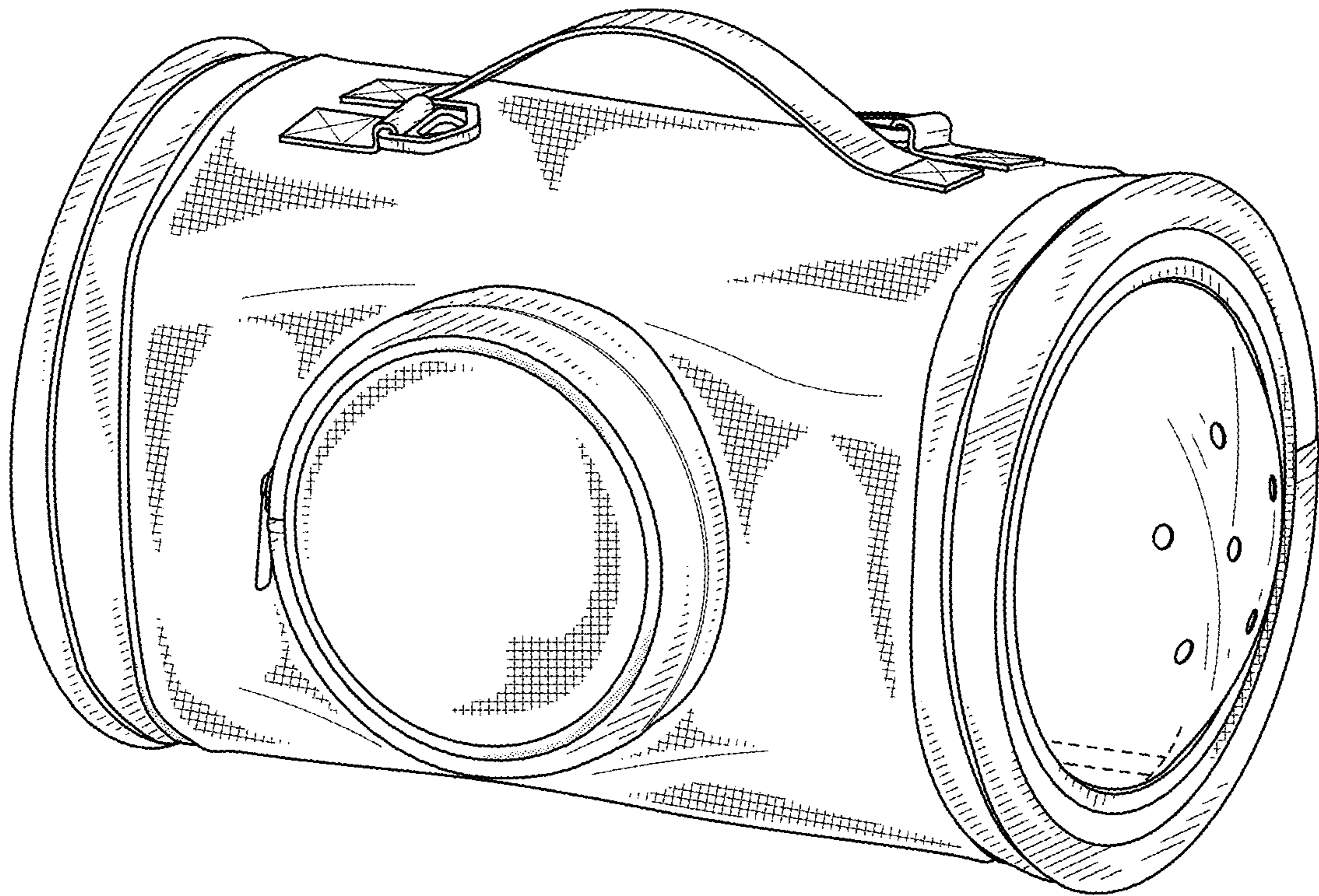


Fig. 1

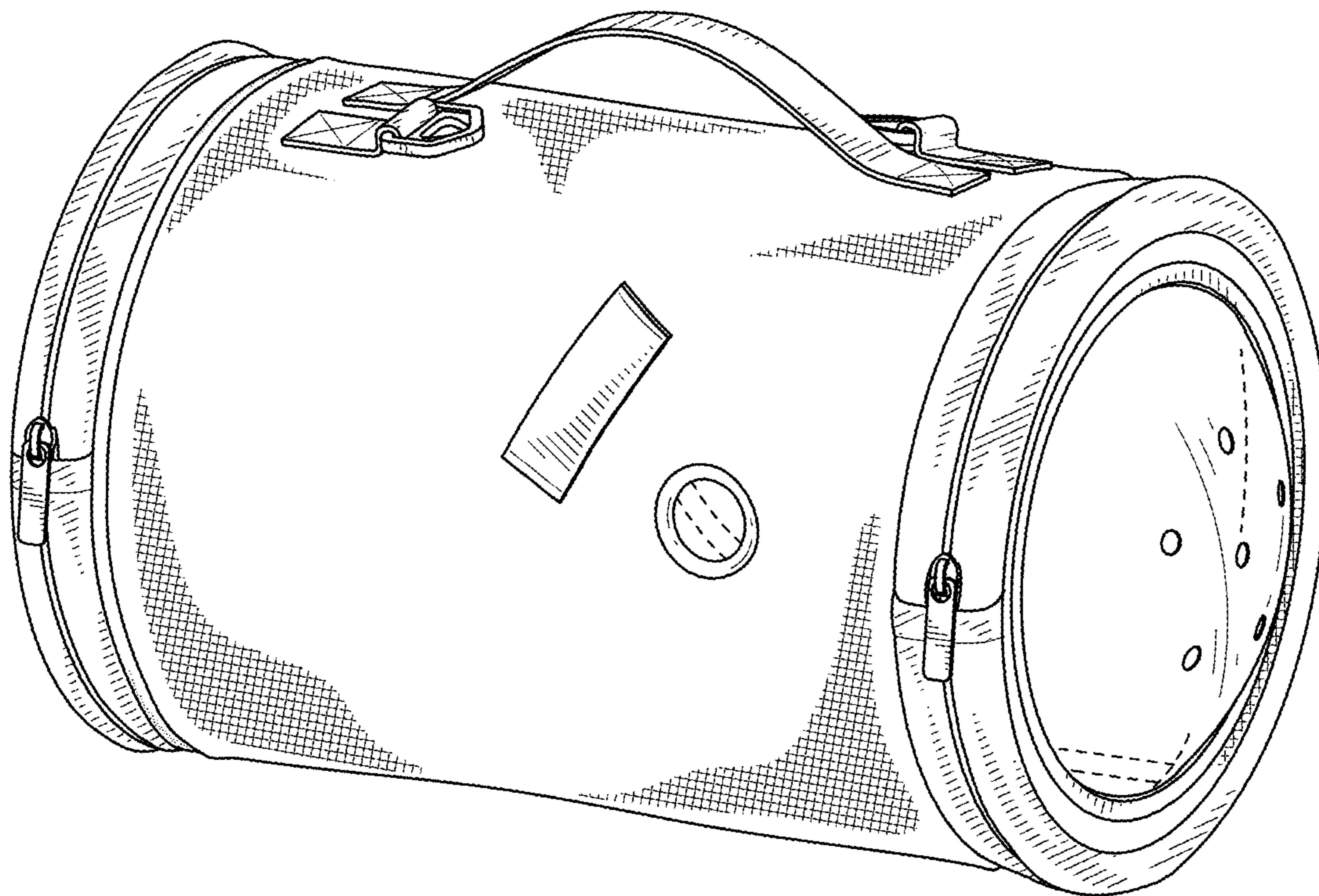


Fig. 2

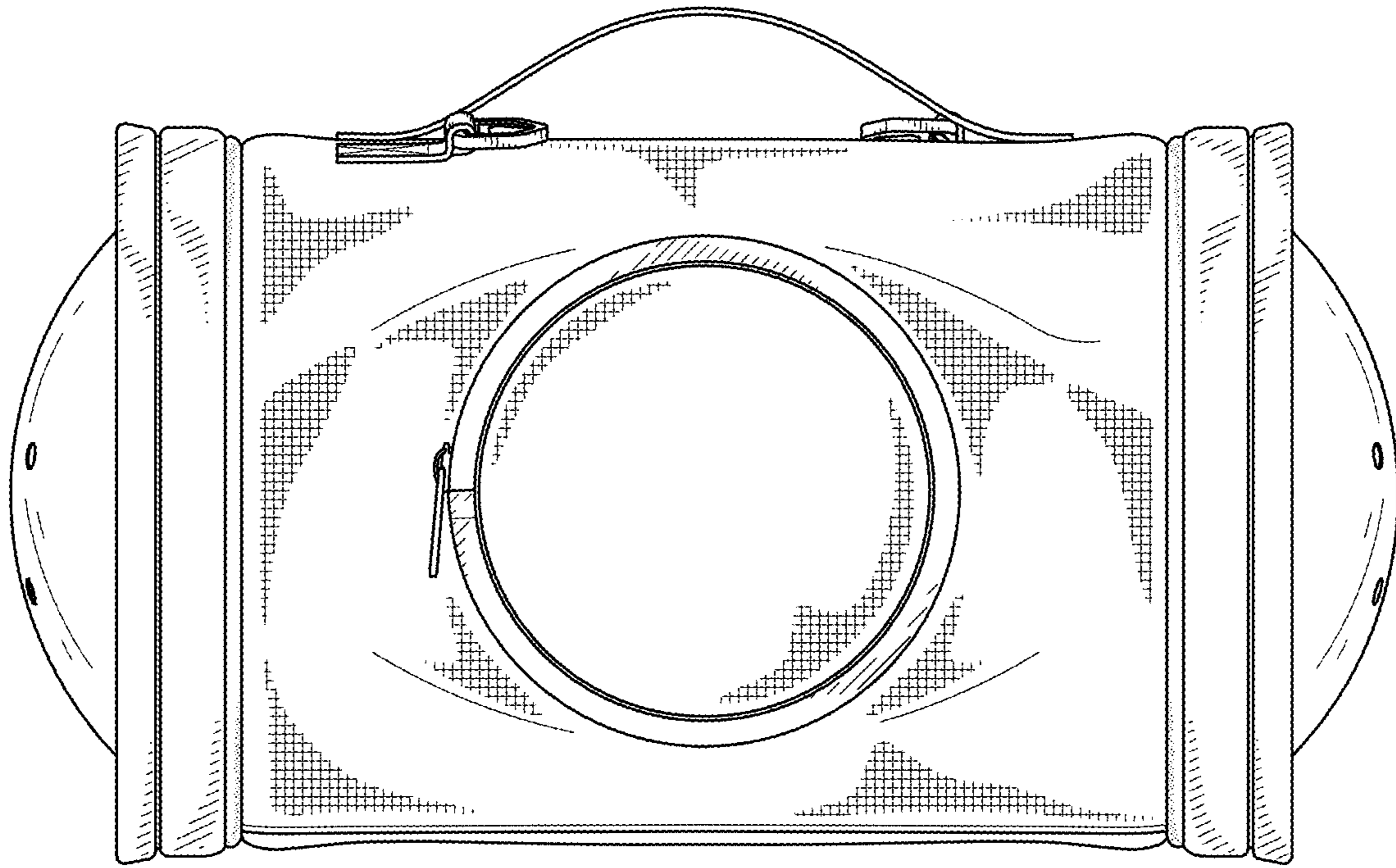


Fig. 3

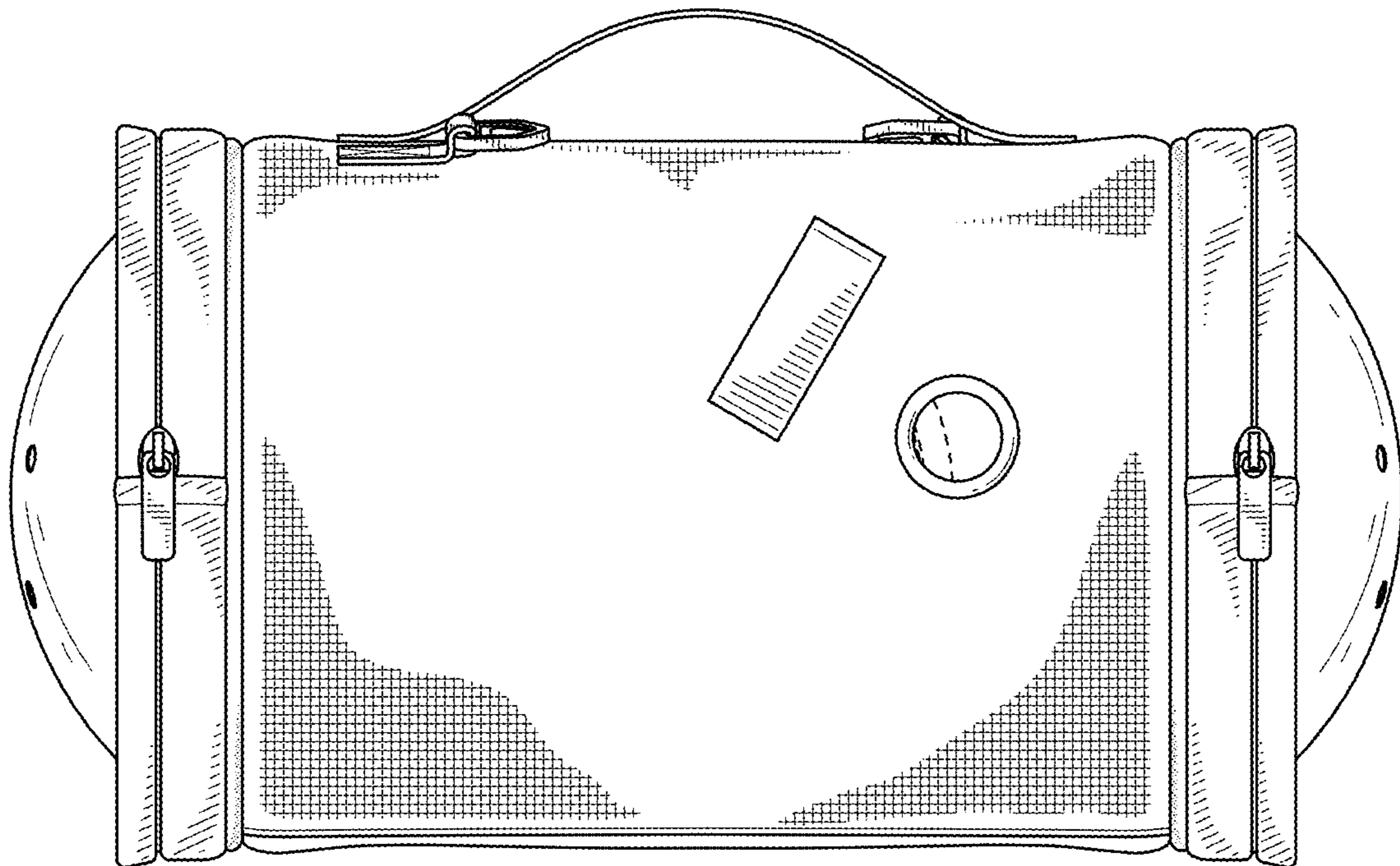


Fig. 4

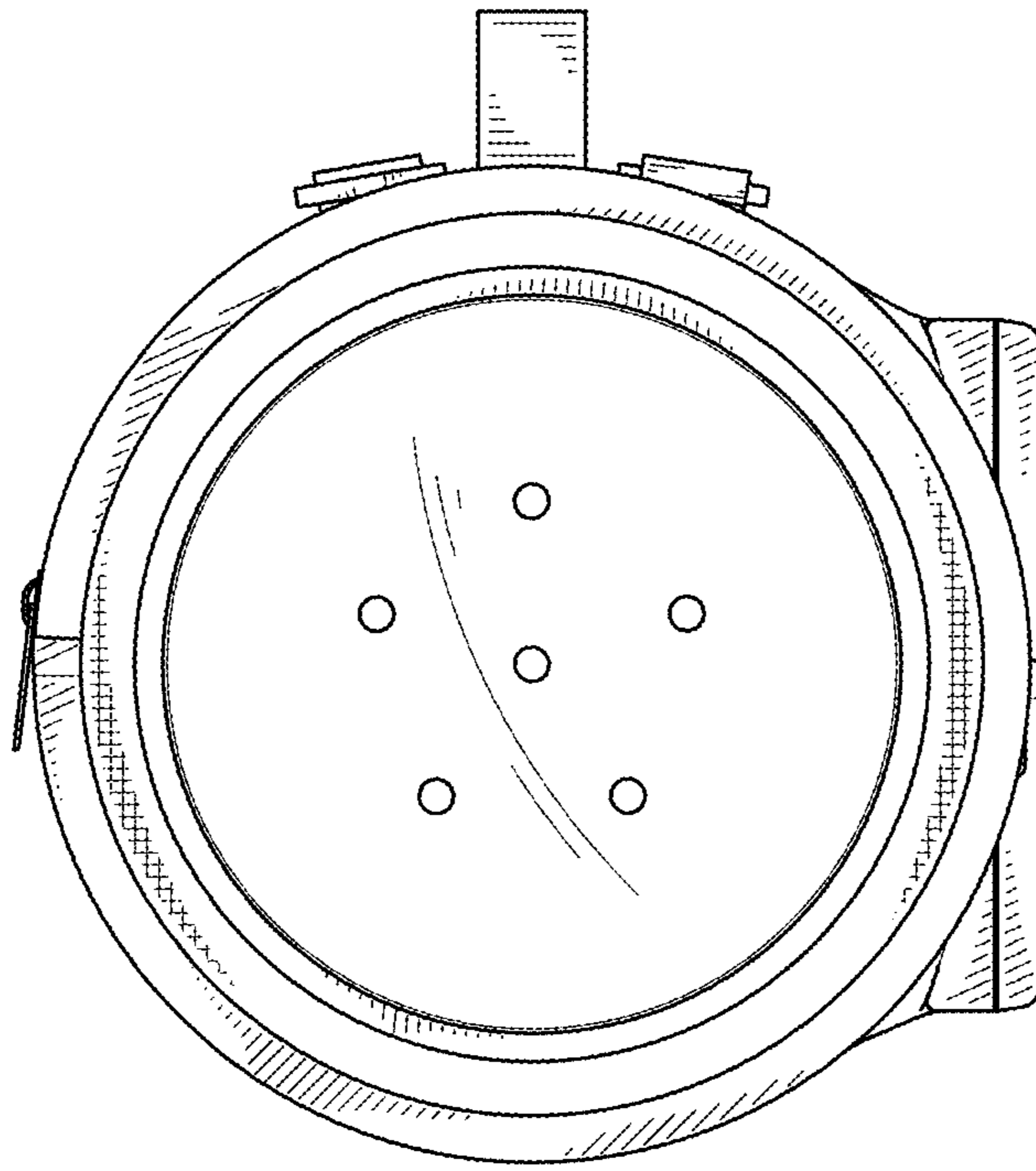


Fig. 5

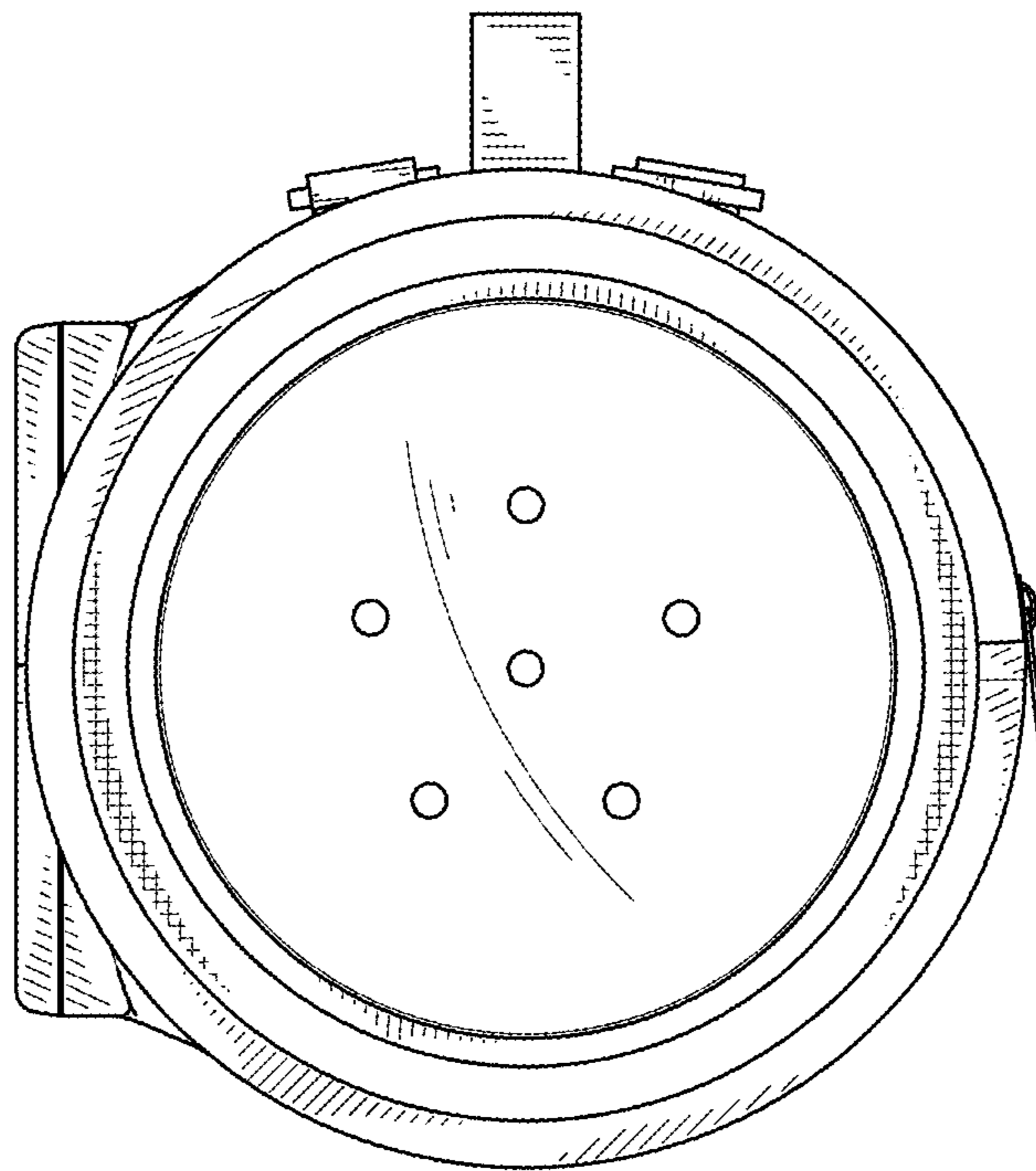


Fig. 6

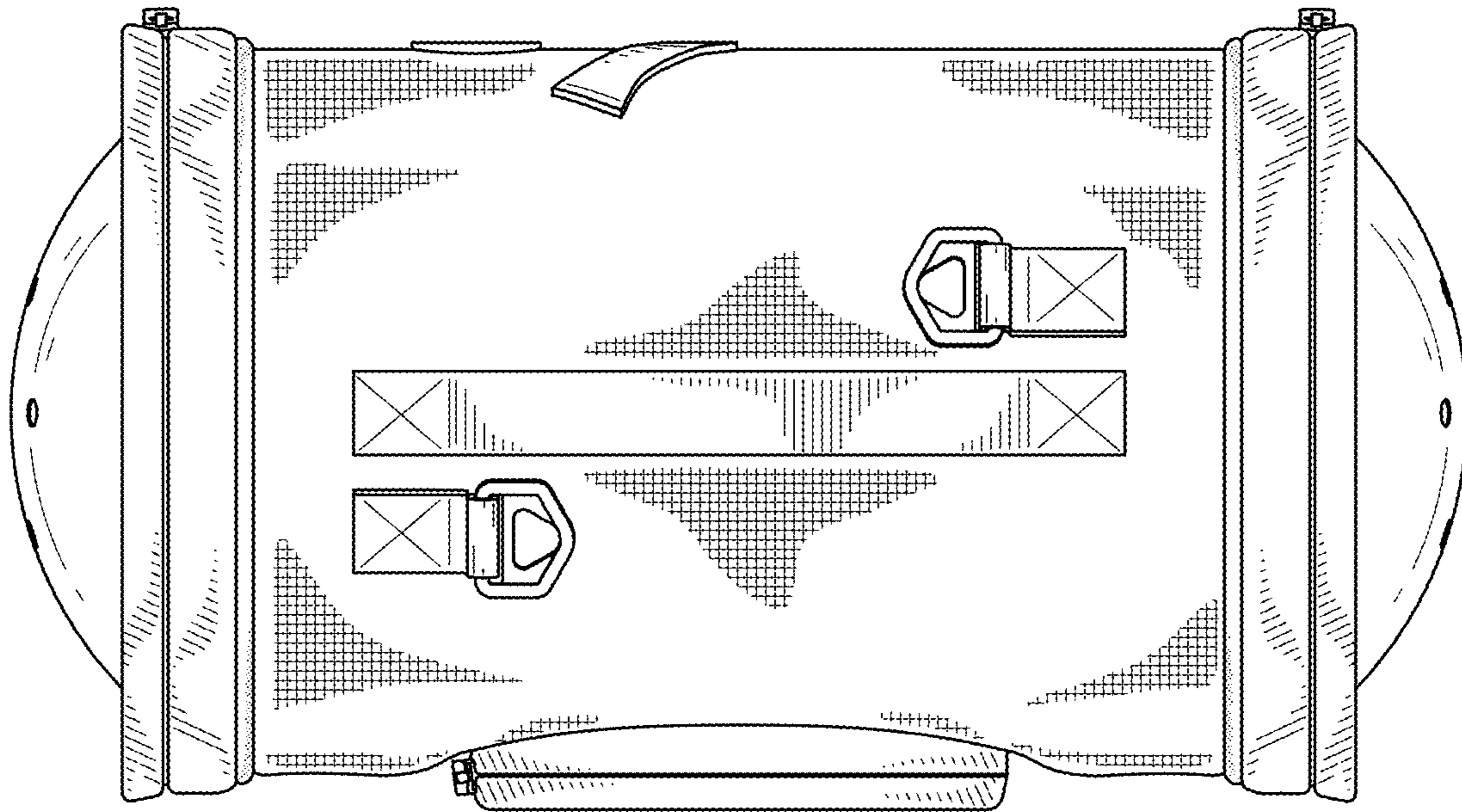


Fig. 7

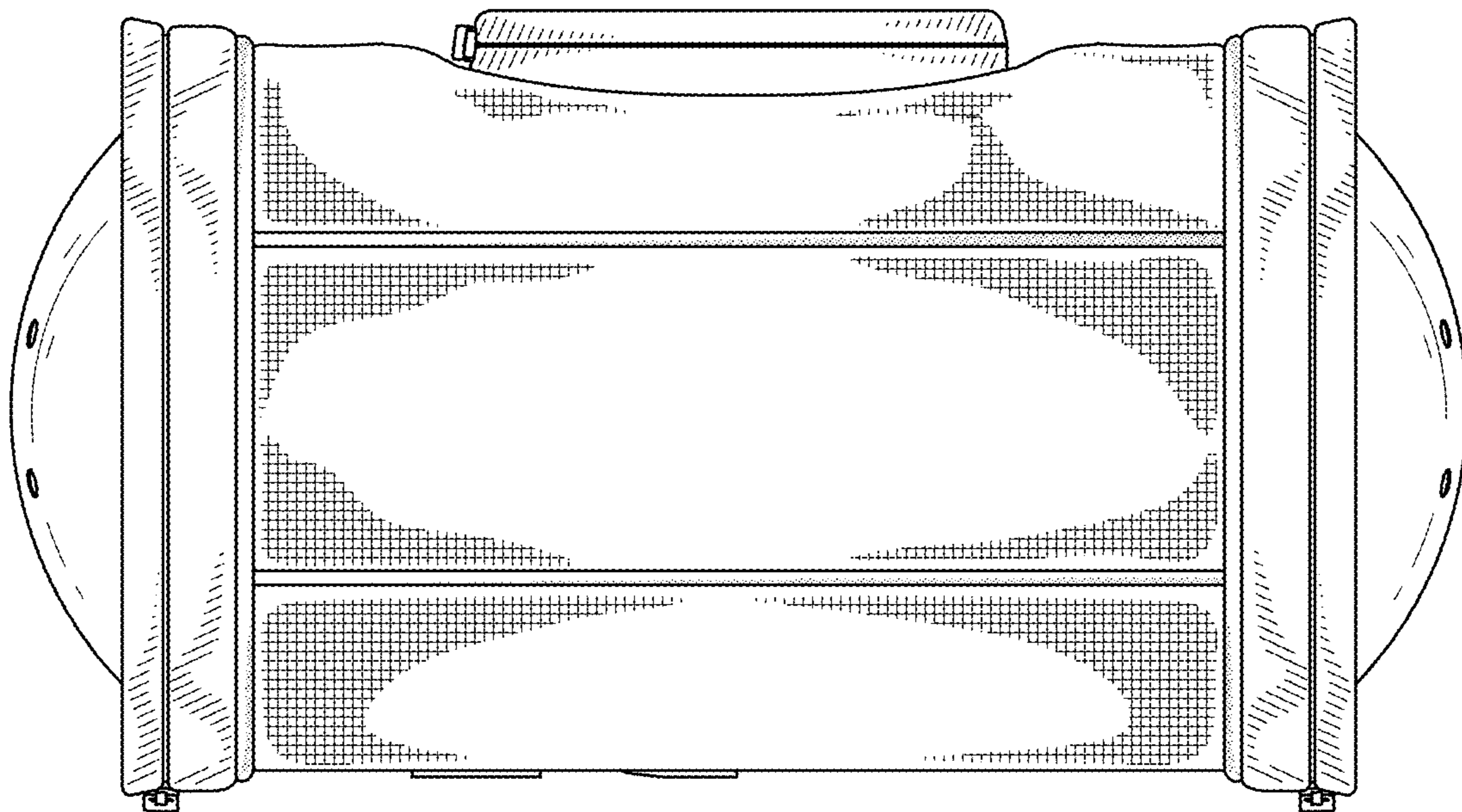


Fig. 8

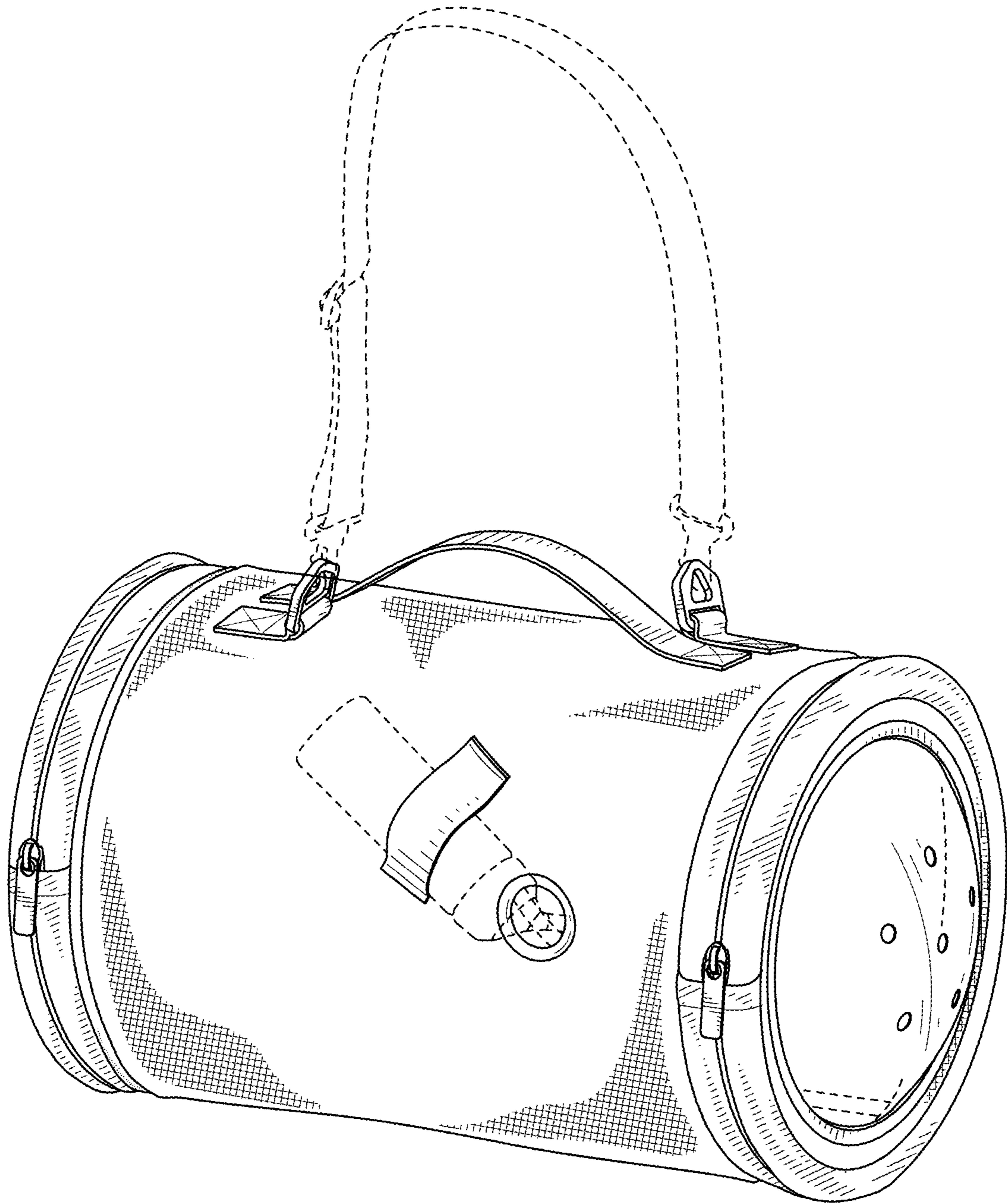


Fig. 9

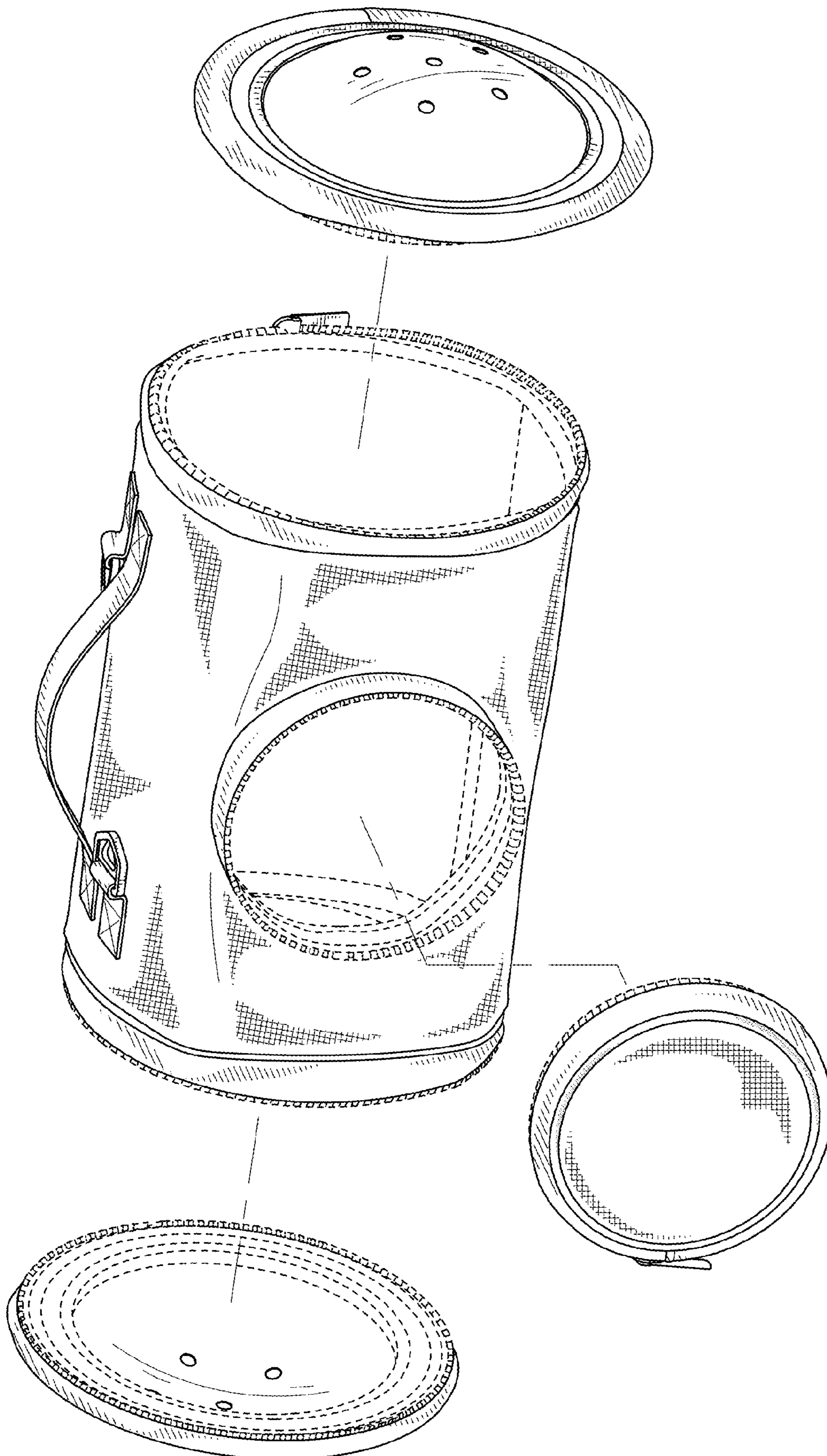


Fig. 10