



US00D982246S

(12) **United States Design Patent**
Lin

(10) **Patent No.:** **US D982,246 S**
(45) **Date of Patent:** **** Mar. 28, 2023**

(54) **PET HOUSE**
(71) Applicant: **FuZhou DuoFen Pet Products Co., Ltd, Fujian (CN)**

D557,865 S * 12/2007 Link D21/505
D572,414 S * 7/2008 Lee D30/108
D612,548 S 3/2010 Campbell
(Continued)

(72) Inventor: **Song Lin, Fuzhou (CN)**
(73) Assignee: **FuZhou DuoFen Pet Products Co., Ltd., Fuzhou (CN)**

OTHER PUBLICATIONS

GowoodhutCat House, posted at amazon.com, earliest date available May 30, 2022, [online], acquired on Aug. 13, 2022, Available on internet. url:https://www.amazon.com/Gowoodhut-Cat-House-Weatherproof-Two-Three/dp/B0B2NYRVC9/ref=cm_cr_arp_d_product_top?ie=UTF8 (Year: 2022).*

(**) Term: **15 Years**

(Continued)

(21) Appl. No.: **29/805,068**

Primary Examiner — Aula Soroush

(22) Filed: **Aug. 24, 2021**

(74) *Attorney, Agent, or Firm* — Vladimir Postnikov

(51) **LOC (14) Cl.** **30-02**

(52) **U.S. Cl.**
USPC **D30/108**

(57) **CLAIM**

The ornamental design for pet house, as shown and described.

(58) **Field of Classification Search**
USPC D30/108, 118, 119
CPC ... A01K 1/00; A01K 1/02; A01K 1/03; A01K 1/033; A01K 1/034; A01K 1/035
See application file for complete search history.

DESCRIPTION

(56) **References Cited**

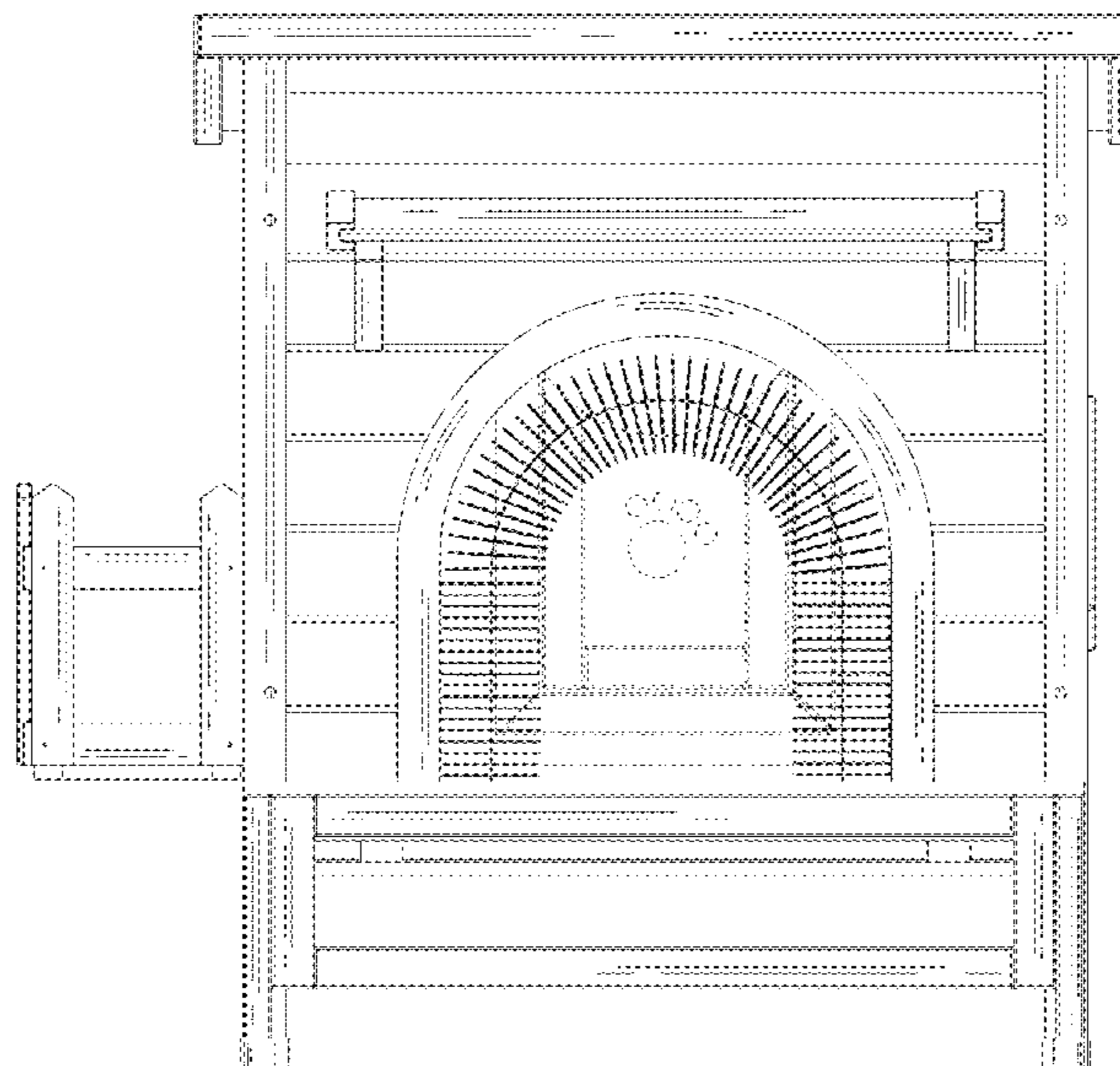
U.S. PATENT DOCUMENTS

D302,710 S	8/1989	Roy	
D309,047 S	7/1990	Small	
5,000,121 A	3/1991	Daily	
5,220,883 A *	6/1993	Long	A01K 1/033 119/499
D340,551 S *	10/1993	Mitchell, Sr.	D30/109
D344,770 S	3/1994	Swiderski	
D353,028 S *	11/1994	Boscato	D30/108
5,937,792 A *	8/1999	Madrid	A01K 1/00 119/482
D425,674 S	5/2000	Dykens	
D435,320 S	12/2000	Fick	
D467,040 S *	12/2002	Bunting	D30/108
D473,353 S	8/2003	Neves	
D483,528 S	12/2003	Costa	
D502,616 S *	3/2005	Tamburri	D6/674

FIG. 1 is a front view of pet house according to the invention;
FIG. 2 is a back view of the pet house according to the invention;
FIG. 3 is a right side view of the pet house according to the invention;
FIG. 4 is a left side view of the pet house according to the invention;
FIG. 5 is a top view of the pet house according to the invention;
FIG. 6 is a bottom view of the pet house according to the invention;
FIG. 7 is a perspective view of the pet house according to the invention; and,
FIG. 8 is a perspective view of the pet house according to the invention.

The broken lines depict portions of the article that form no part of the claimed design.

1 Claim, 8 Drawing Sheets



(56)

References Cited

U.S. PATENT DOCUMENTS

D619,768	S *	7/2010	Raheb	D30/112
8,141,518	B2 *	3/2012	Pierpont	A01K 1/033 119/473
D664,718	S	7/2012	Lee	
D685,538	S	7/2013	Watts	
D699,372	S	2/2014	Donnelly	
D703,390	S *	4/2014	Scott	D30/108
D719,704	S *	12/2014	Lee	D30/108
D742,077	S	10/2015	Justiniano	
D793,628	S *	8/2017	Fisher	D30/108
D804,737	S *	12/2017	Fisher	D30/108
D867,674	S *	11/2019	Adam	D30/108
D899,005	S *	10/2020	Hill	D30/108
D958,465	S *	7/2022	Liu	D30/108
2005/0072364	A1	4/2005	Kerrigan	
2005/0051108	A1	10/2005	Syrgos	

OTHER PUBLICATIONS

Ketive Cat House, posted at amazon.com, earliest date available Apr. 29, 2022, [online], acquired on Aug. 13, 2022, Available on

internet, url:https://www.amazon.com/Ketive-Waterproof-Outdoor-Enclosure-Balcony/dp/B09Z63L24F/ref=psdc_2619534011_t3_B09YV7V1X5 (Year: 2022).*

PetsCosset Large Cat House, posted at amazon.com, earliest date available Apr. 29, 2022, [online], acquired on Aug. 13, 2022, Available on internet. url:https://www.amazon.com/PetsCosset-Outdoor-Indoor-Shelter-Weatherproof/dp/B09YV7V1X5/ref=cm_cr_arp_d_product_top?ie=UTF8 (Year: 2022).*

PawHut Large Outdoor Raised Painted Deluxe Wood Rabbit Hutch Bunny Outdoor Animal Cage Enclosure with Run—From Amazon.com, downloaded on Aug. 18, 2021.

PawHut Outside Wooden Cat House, Covered Shelter with Balcony, Stairs, and Elevation for Cat and Other Small Pets—From Amazon.com, downloaded on Aug. 18, 2021.

Mly Pet Companion Stilt House Rabbit Hutch, Brown—From Amazon.com, downloaded on Aug. 18, 2021.

Aivituvin 2-Story Cat Cat House Outdoor, Wooden Pet Home with Balcony—From Amazon.com, downloaded on Aug. 18, 2021.

Rockever Outdoor Cat Shelter with Escape Door Rainproof Outside Kitty House—From Amazon.com, downloaded on Aug. 18, 2021.

Petsfit Cat House for Outdoor Cats Weatherproof with Escape Door—From Amazon.com, downloaded on Aug. 18, 2021.

* cited by examiner

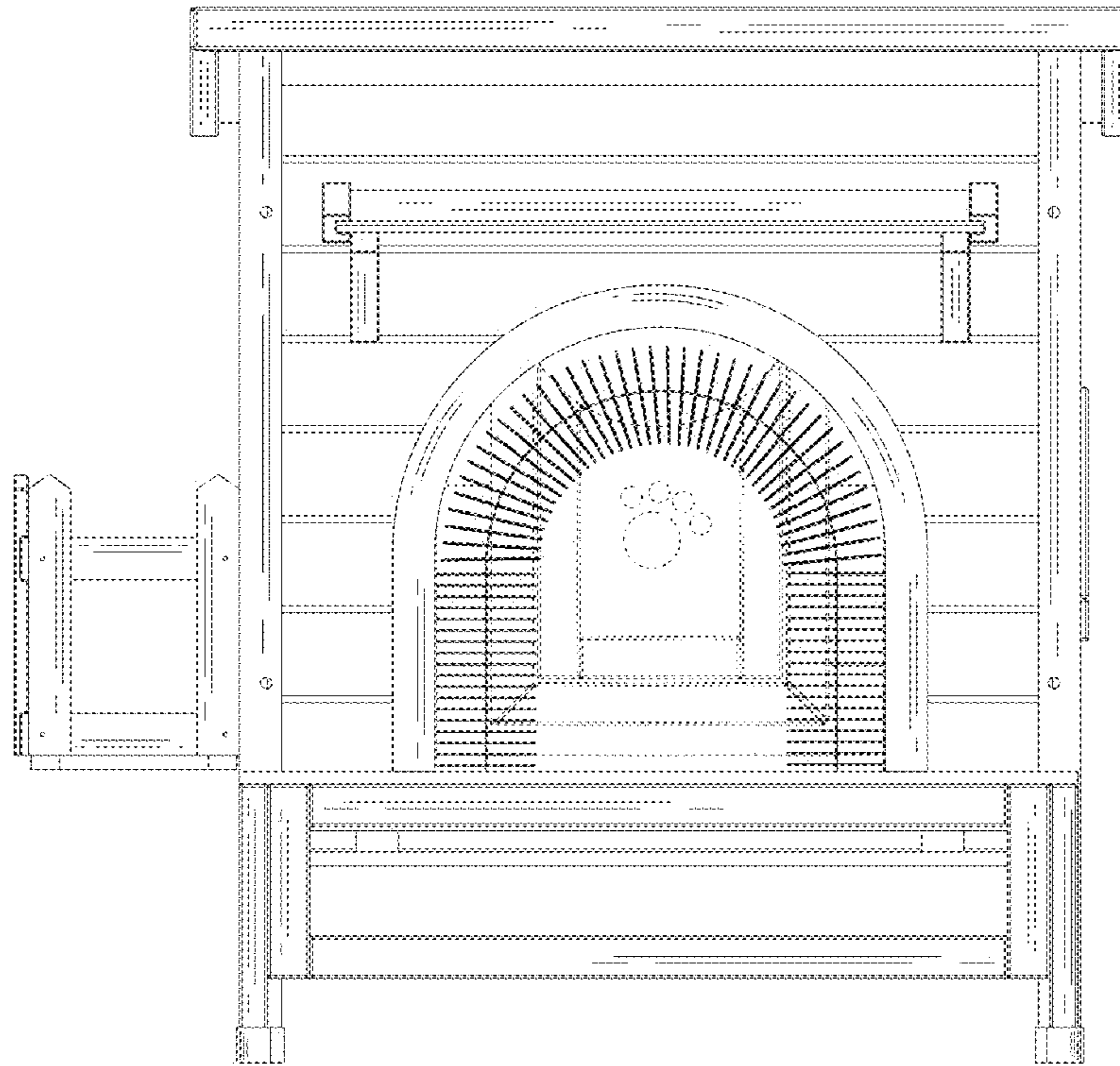


FIG. 1

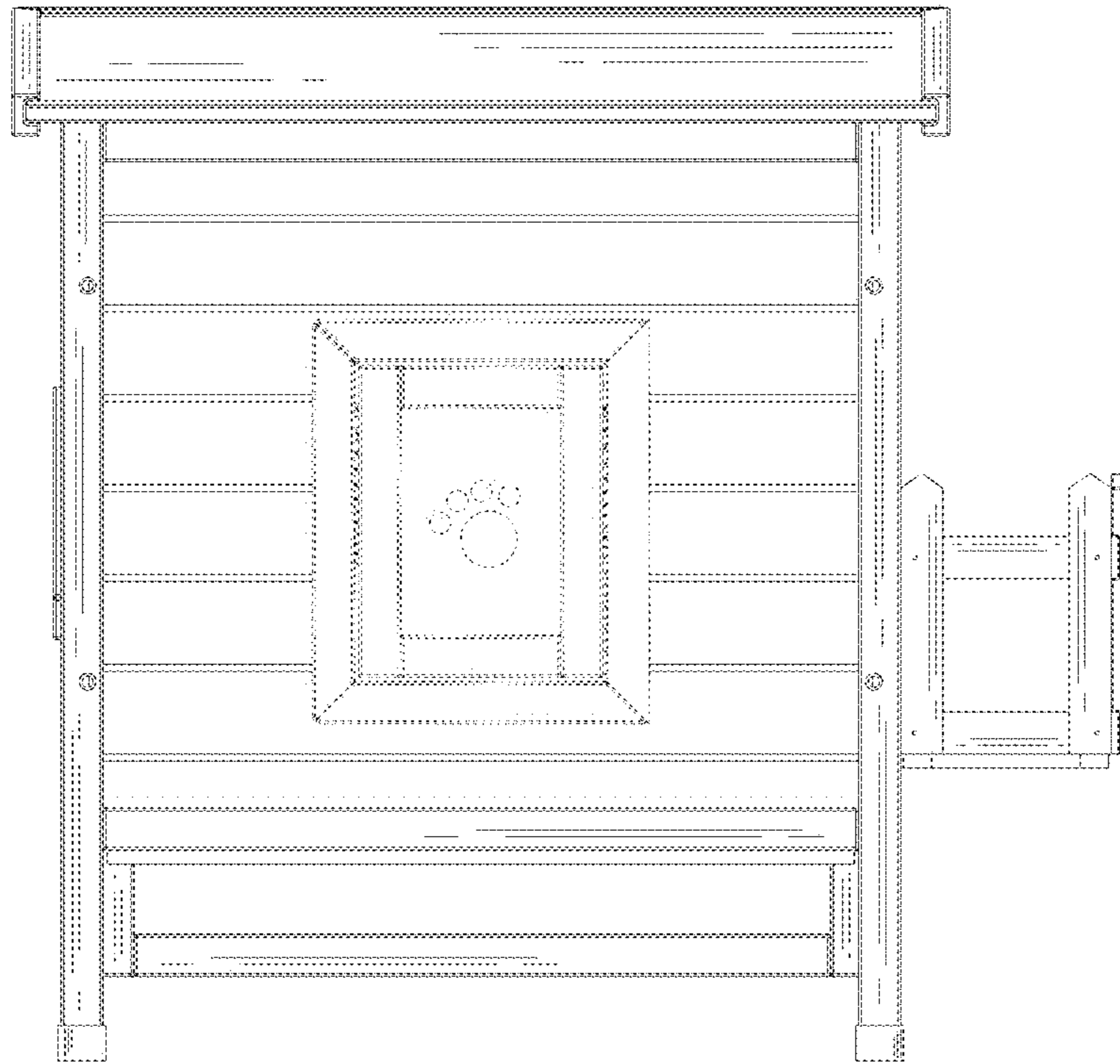


FIG. 2

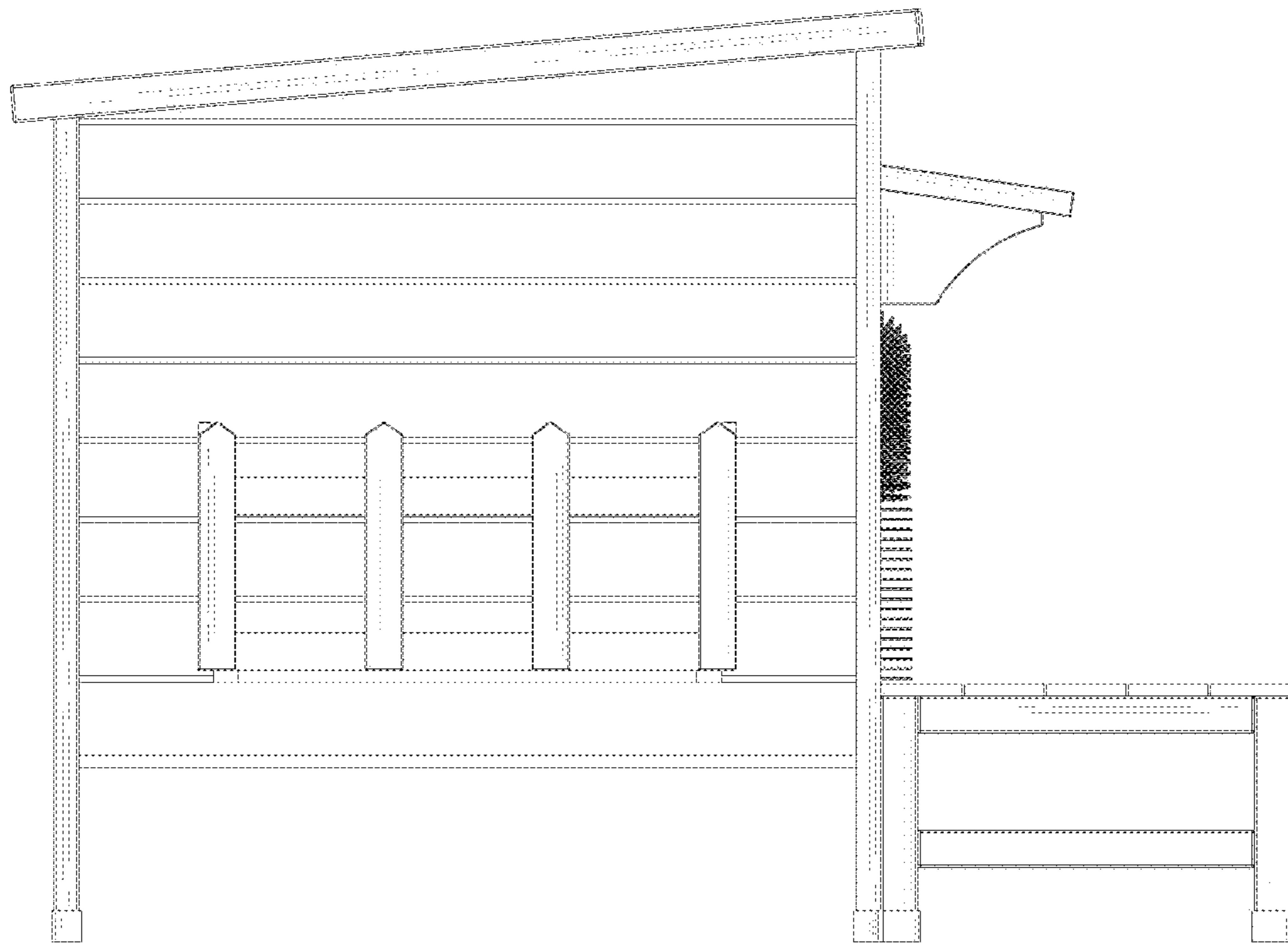


FIG. 3

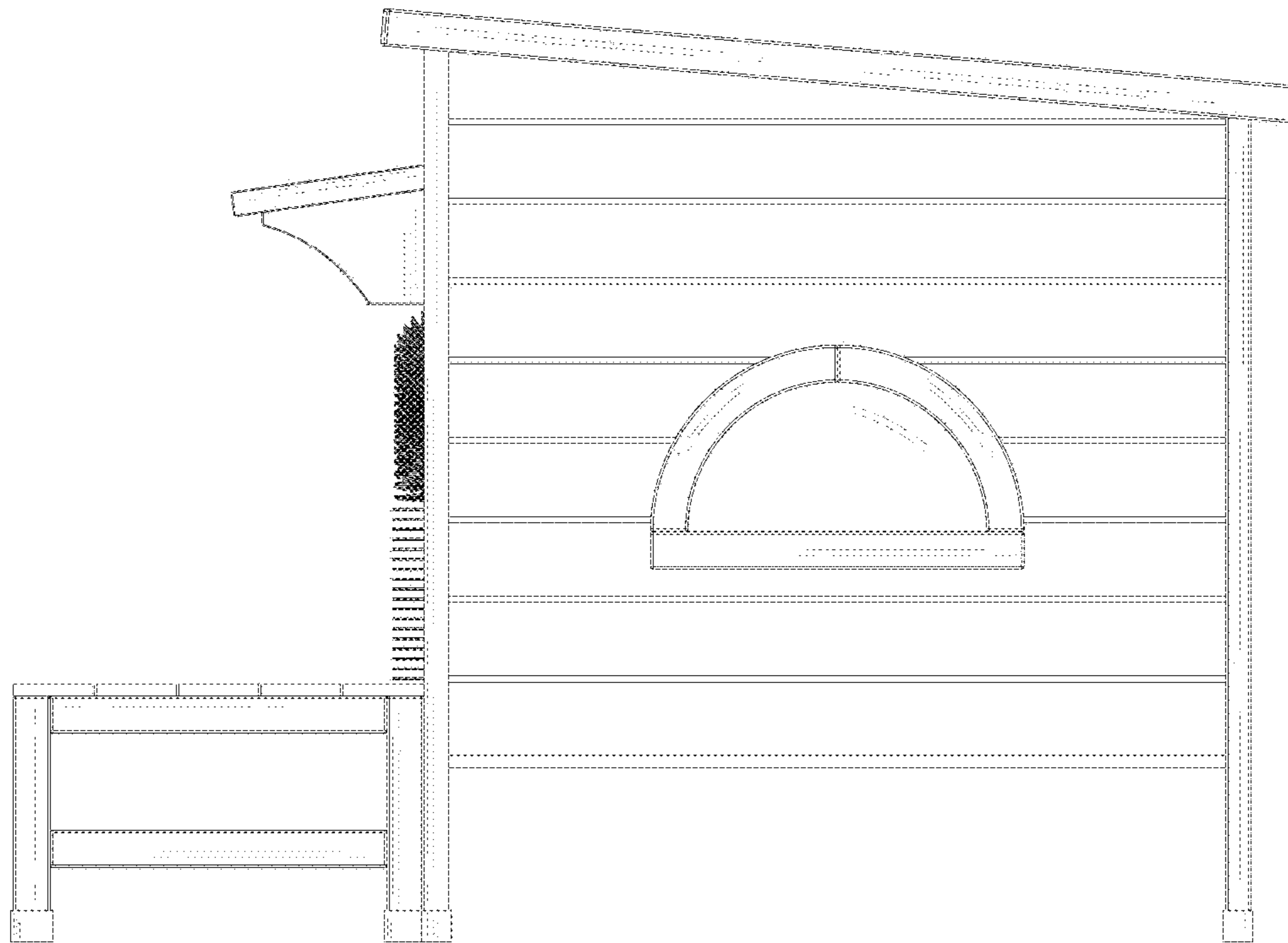


FIG. 4

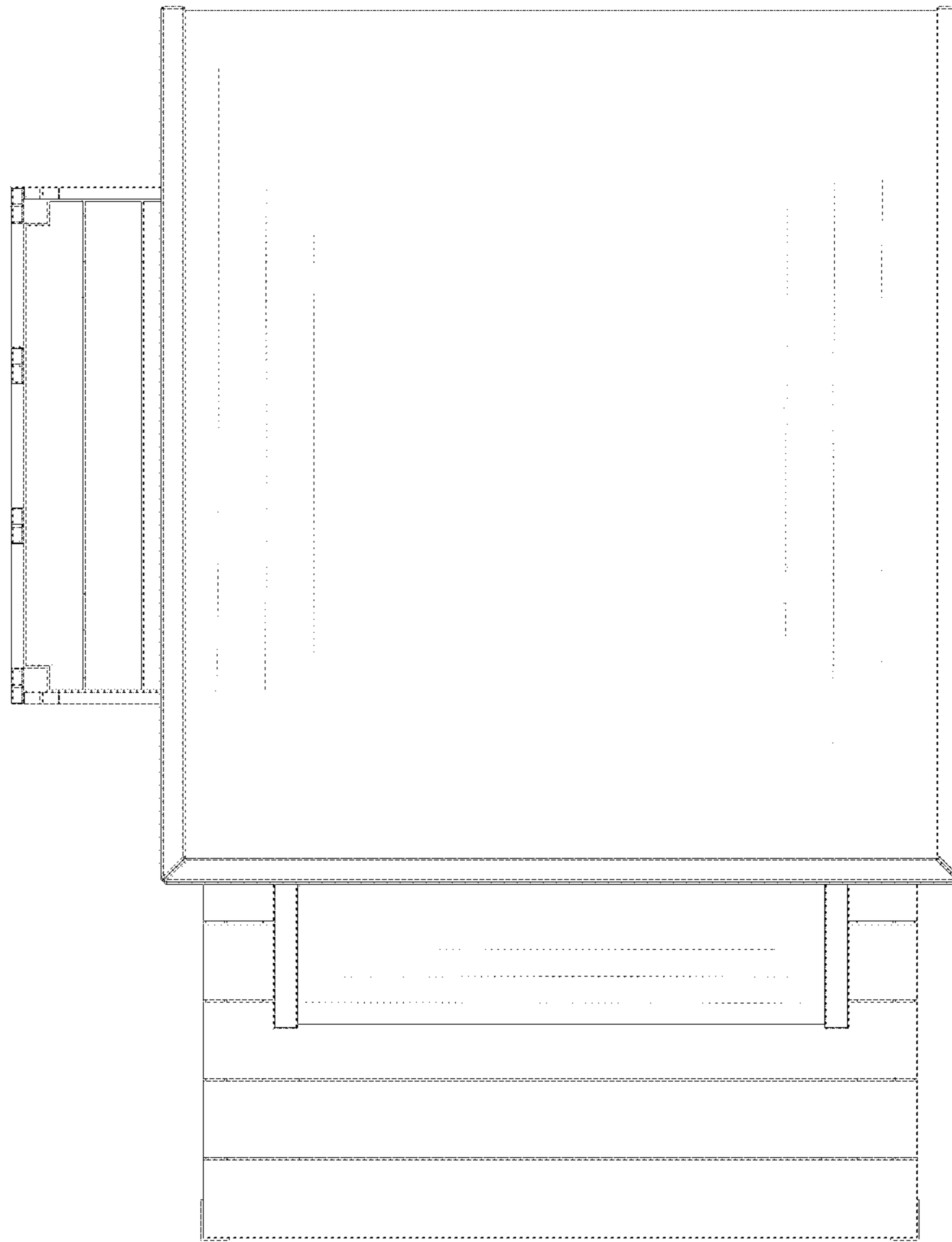


FIG. 5

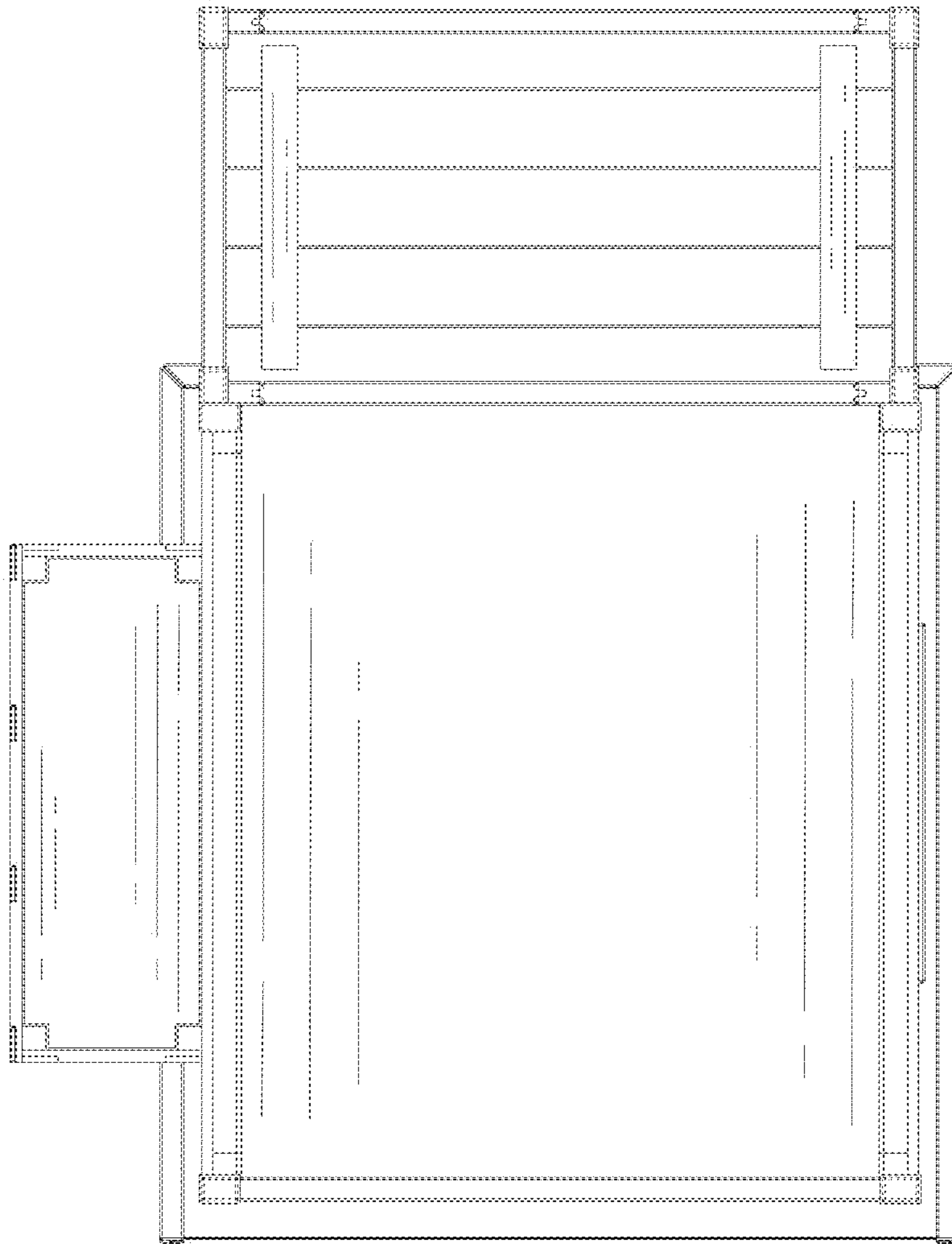


FIG. 6

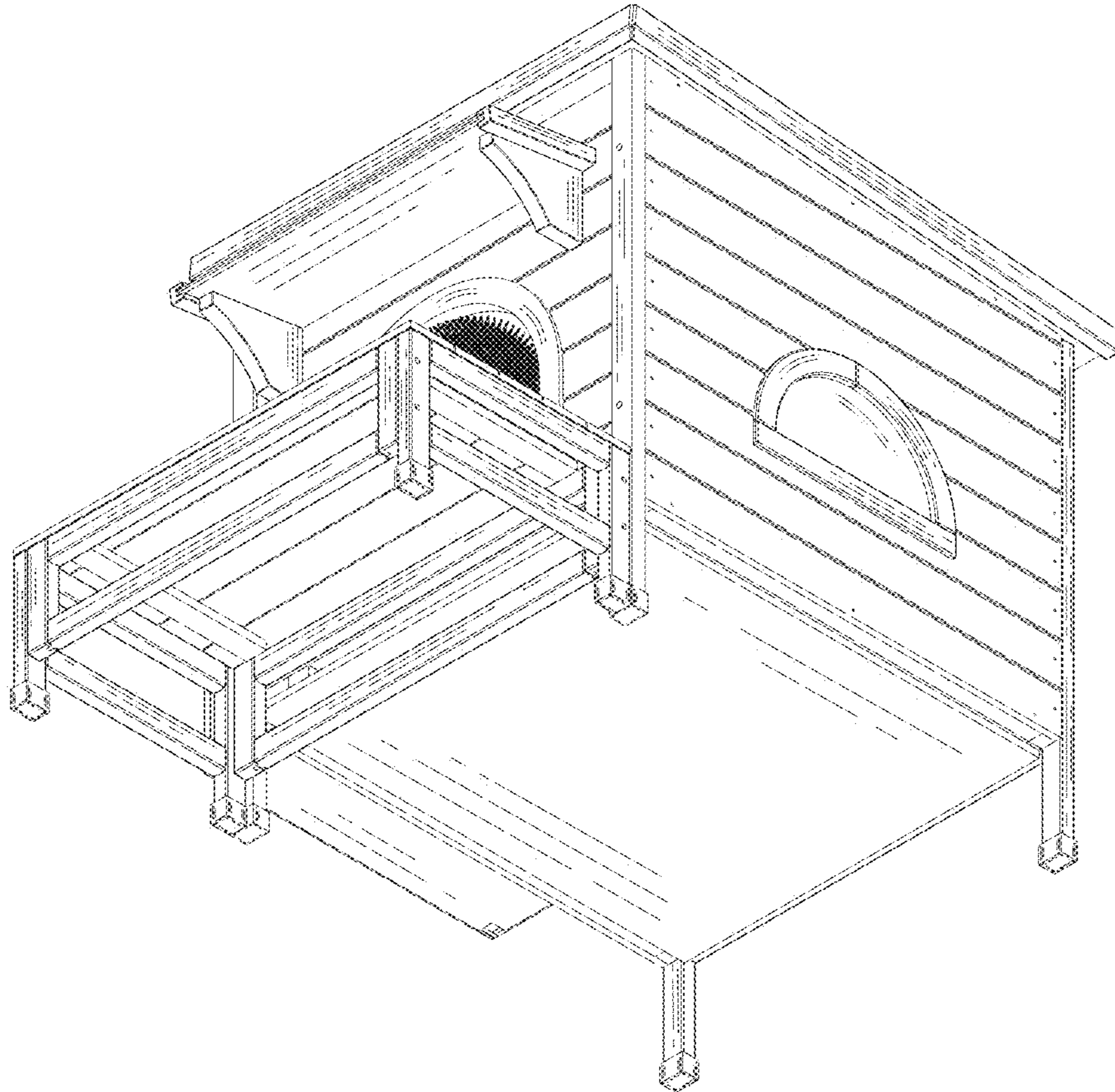


FIG. 7

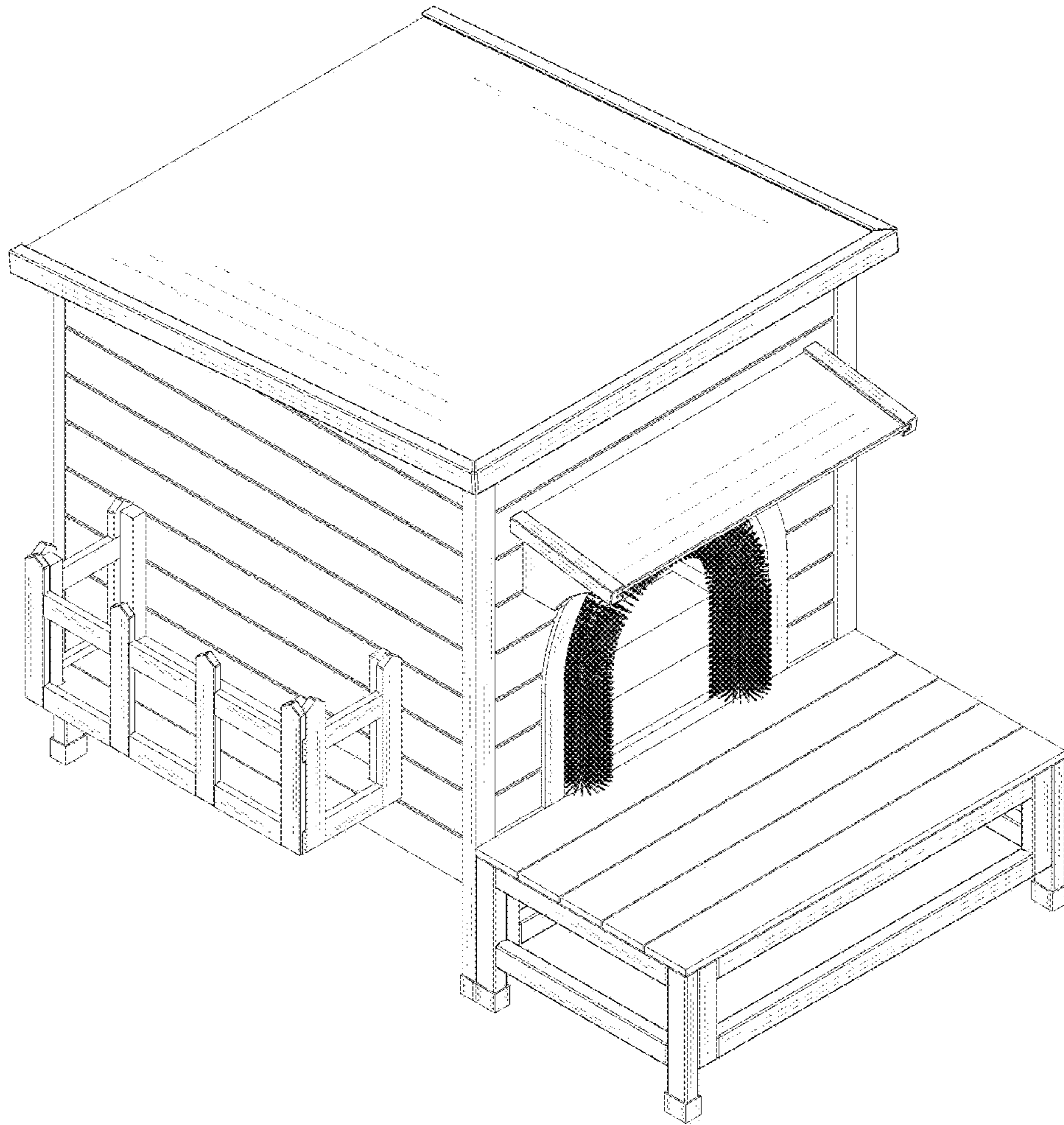


FIG. 8