



US00D982239S

(12) **United States Design Patent**
Xiao

(10) **Patent No.:** **US D982,239 S**
(45) **Date of Patent:** **** Mar. 28, 2023**

(54) **NAIL LAMP**

(71) Applicant: **Shenzhen Yishidai Economic and Trade Co., Ltd.**, Guangdong (CN)

(72) Inventor: **Zhongfu Xiao**, Fujian (CN)

(73) Assignee: **Shenzhen Yishidai Economic and Trade Co., Ltd.**, Guangdong (CN)

(**) Term: **15 Years**

(21) Appl. No.: **29/807,626**

(22) Filed: **Sep. 13, 2021**

(51) **LOC (14) Cl.** **28-03**

(52) **U.S. Cl.**
USPC **D28/58**

(58) **Field of Classification Search**
USPC D28/54.1, 58
CPC A45D 29/00
See application file for complete search history.

(56) **References Cited**

U.S. PATENT DOCUMENTS

9,894,975	B2 *	2/2018	Huang	F21V 17/105
D858,884	S *	9/2019	Wu	D28/58
D858,885	S *	9/2019	Wu	D28/58
D899,691	S *	10/2020	Fan	D28/58
D900,396	S *	10/2020	Zhang	D28/58
D909,682	S *	2/2021	Wu	D28/58
D919,184	S *	5/2021	Feng	D28/58
D937,487	S *	11/2021	Zhang	D28/58
D947,458	S *	3/2022	Zhang	D28/58
D951,544	S *	5/2022	Dong	D28/54.1
D951,545	S *	5/2022	Dong	D28/54.1
D958,459	S *	7/2022	Dong	D28/54.1
D960,453	S *	8/2022	Sun	D28/58
D961,854	S *	8/2022	Mao	D28/58
D970,120	S *	11/2022	Mao	D28/58
2021/0085054	A1 *	3/2021	Vu	F21V 7/05

FOREIGN PATENT DOCUMENTS

EM 008589444-0001 * 8/2021

OTHER PUBLICATIONS

UV LED Nail Lamp [online], [publication date is Dec. 6, 2021]. [Retrieved from the internet on Nov. 29, 2022]. URL: <https://www.amazon.com/NAILGIRLS-Setting-Professional-Automatic-Display/dp/B09BHT9WCY/ref=cm_cr_arp_d_product_top?ie=UTF8>. (Year: 2021).*

* cited by examiner

Primary Examiner — Karen E Eldridge Powers

Assistant Examiner — Margaret Leah Bryan

(74) *Attorney, Agent, or Firm* — True Shepherd, LLC; Andrew Cheng

(57) **CLAIM**

The ornamental design for a nail lamp, as shown and described.

DESCRIPTION

FIG. 1 is a front, right, and top perspective view of a nail lamp, showing my design.

FIG. 2 is a rear, left, and bottom perspective view thereof.

FIG. 3 is a front elevation view thereof.

FIG. 4 is a rear elevation view thereof.

FIG. 5 is a left side elevation view thereof.

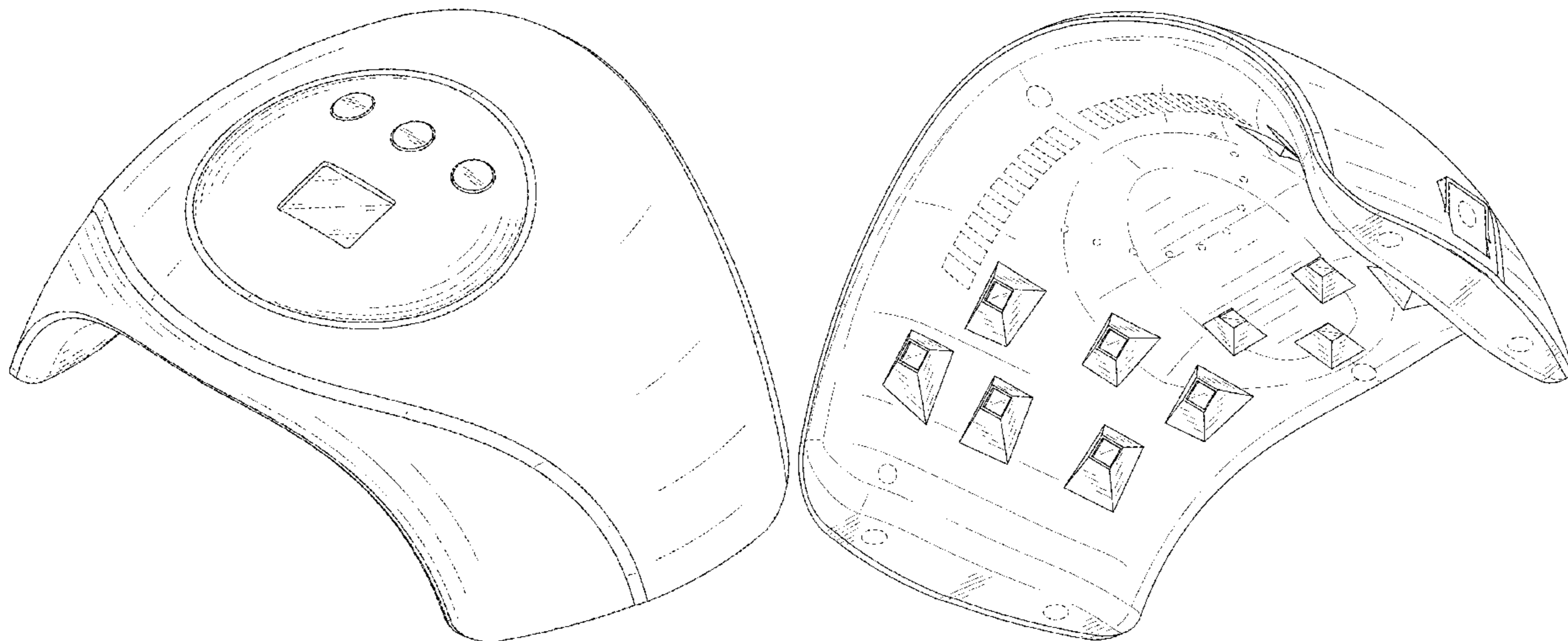
FIG. 6 is a right side elevation view thereof.

FIG. 7 is a top plan view thereof; and,

FIG. 8 is a bottom plan view thereof.

The broken lines shown in the drawings illustrate environmental structure that forms no part of the claimed design.

1 Claim, 8 Drawing Sheets



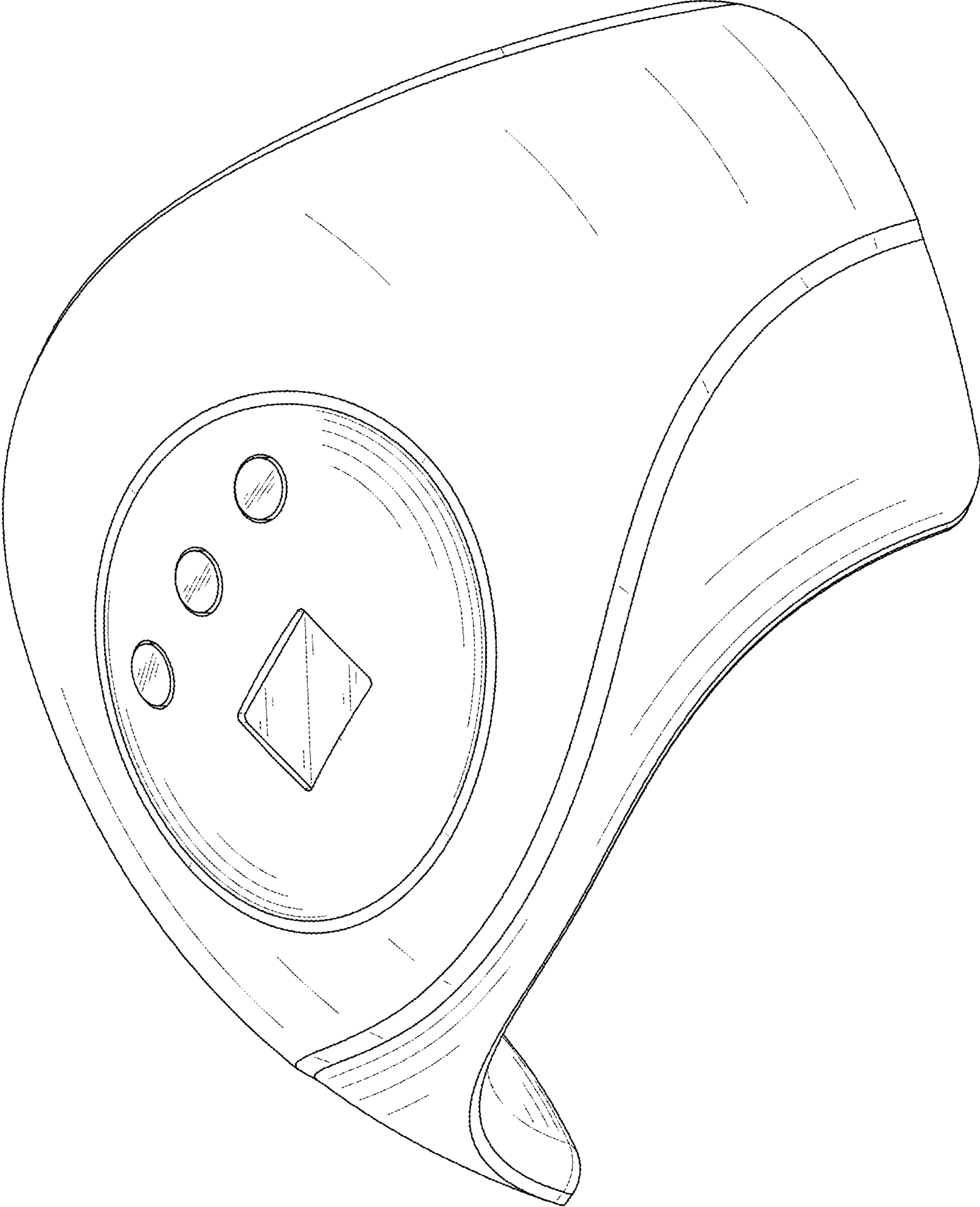


FIG. 1

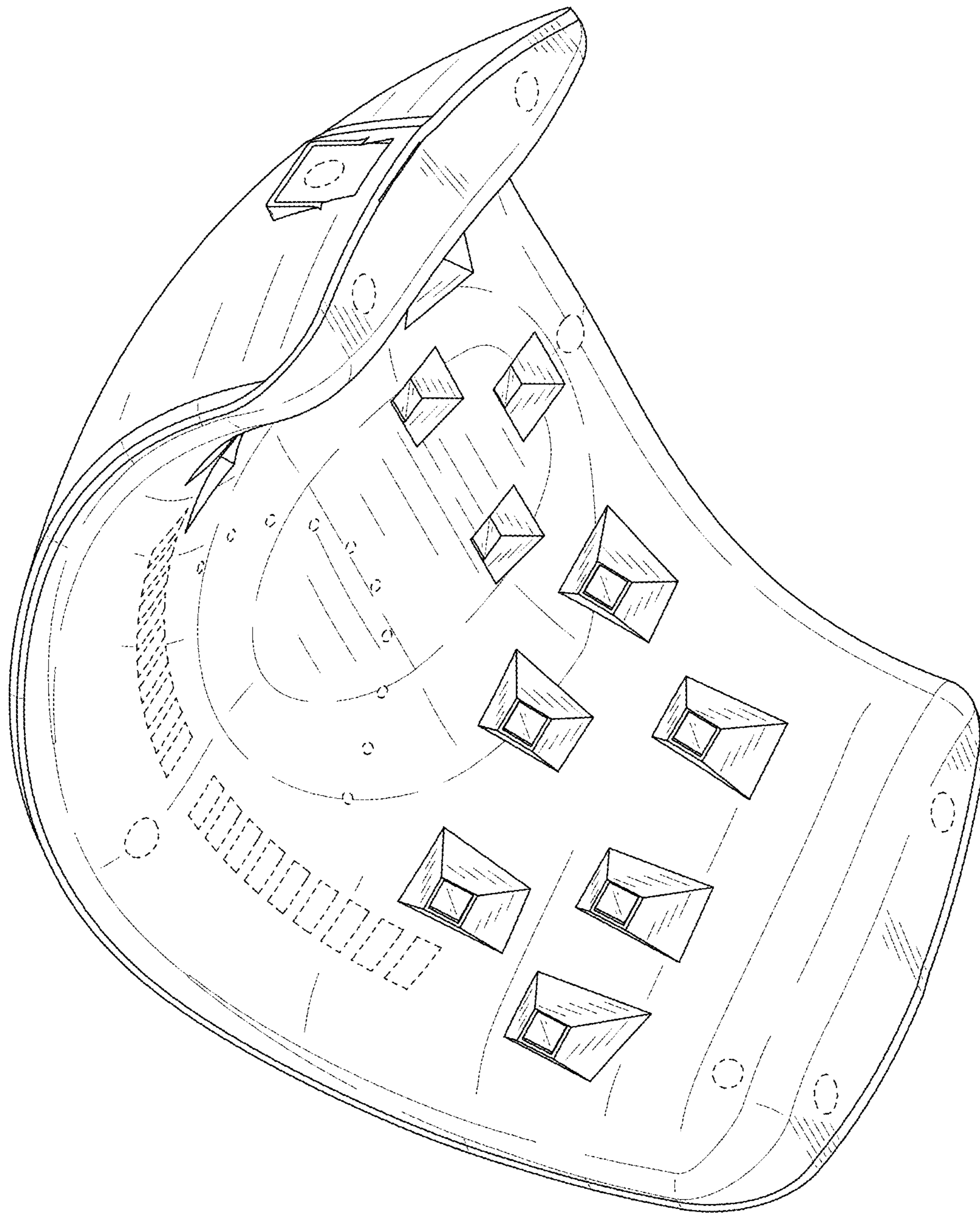


FIG. 2

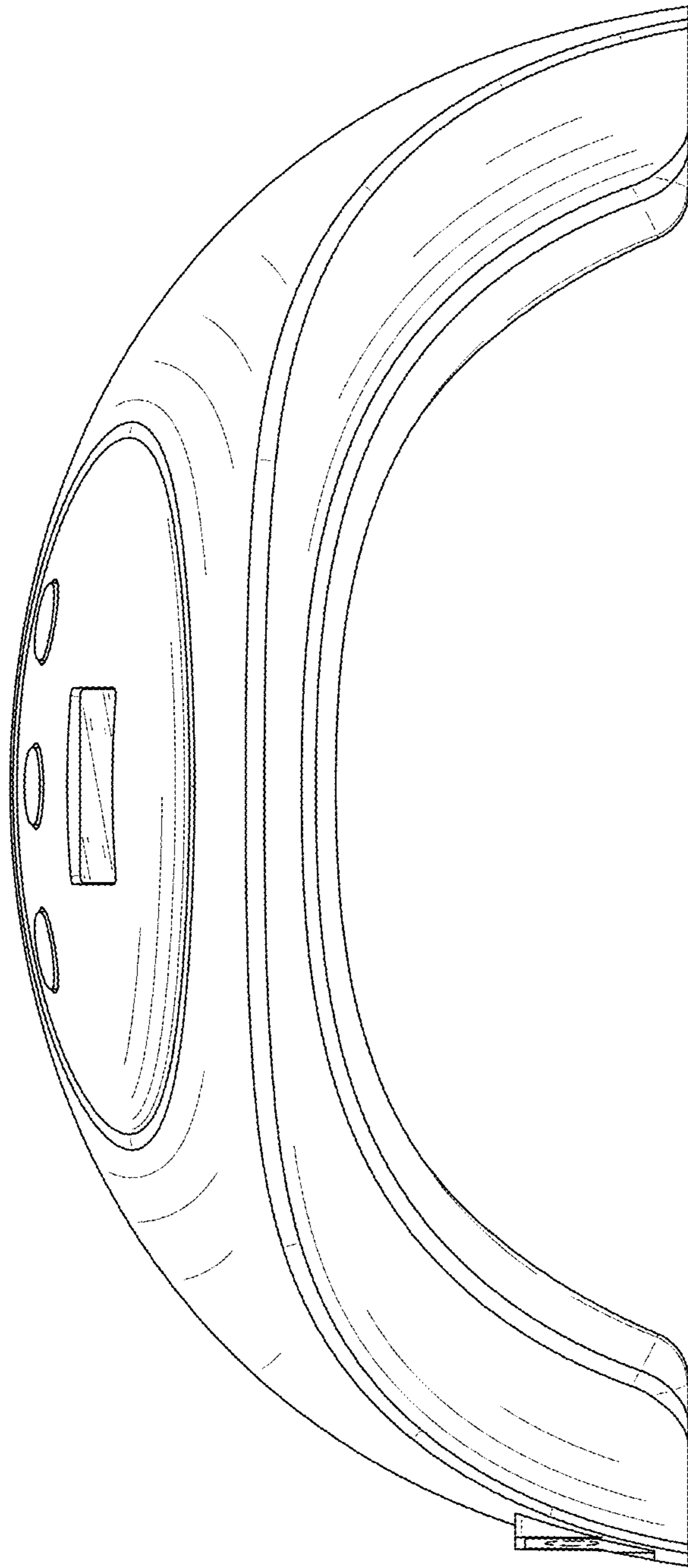


FIG. 3

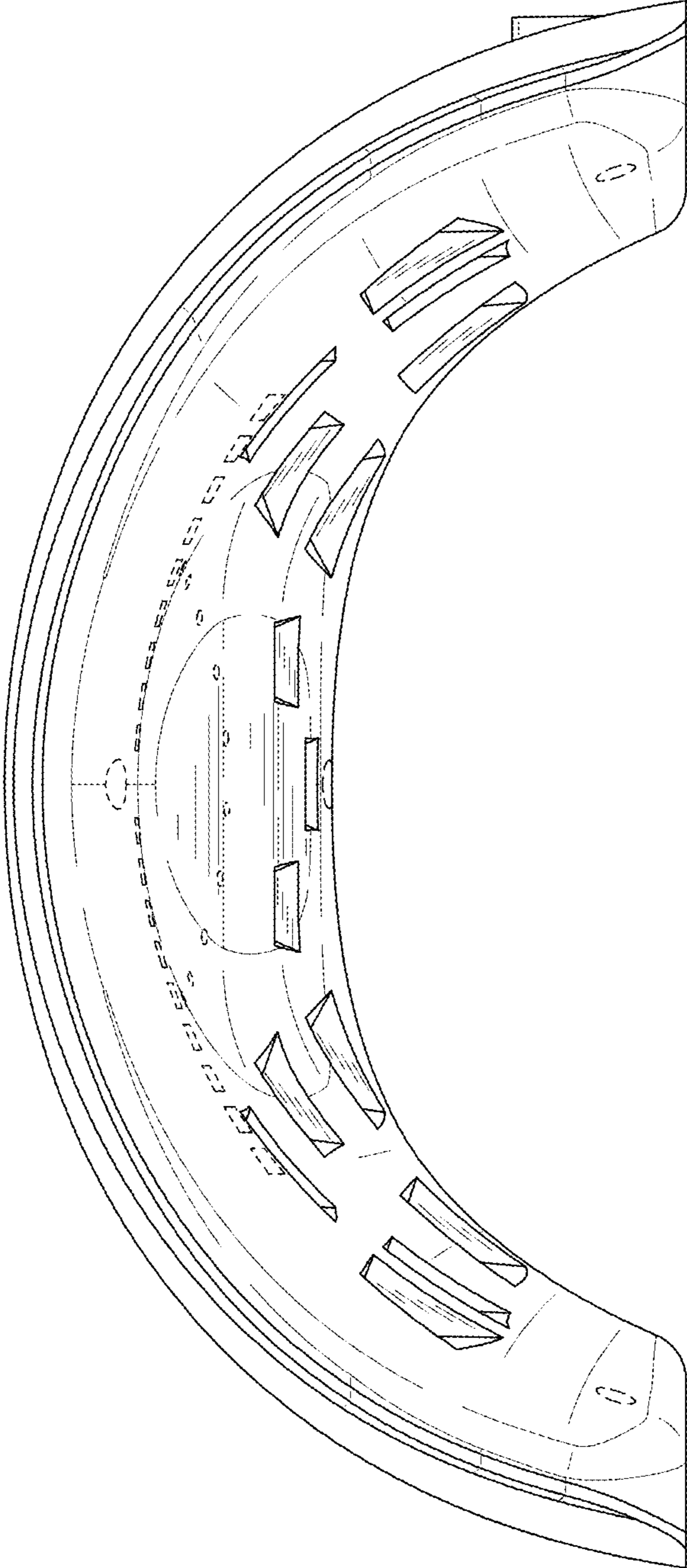


FIG. 4

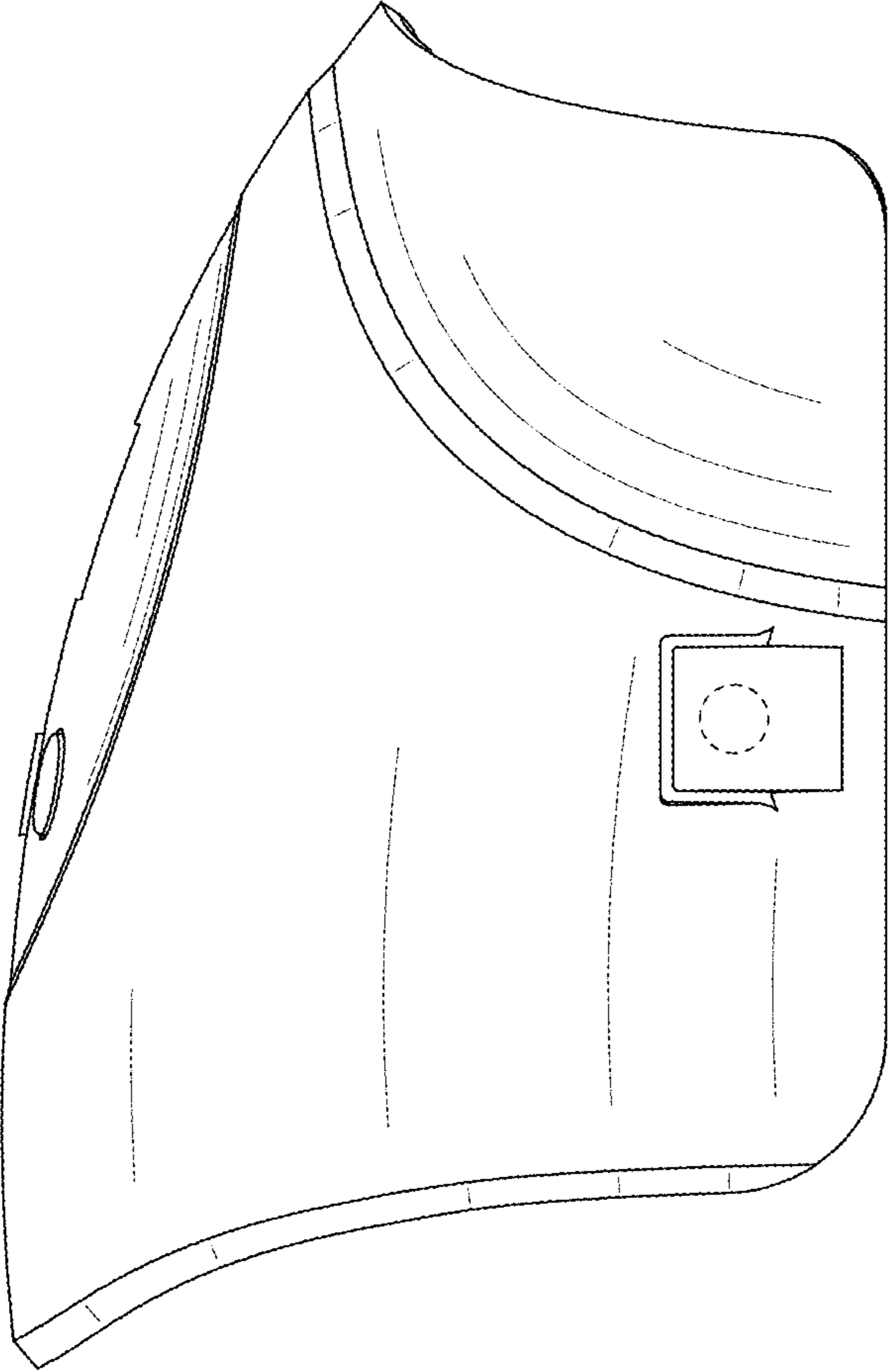


FIG. 5

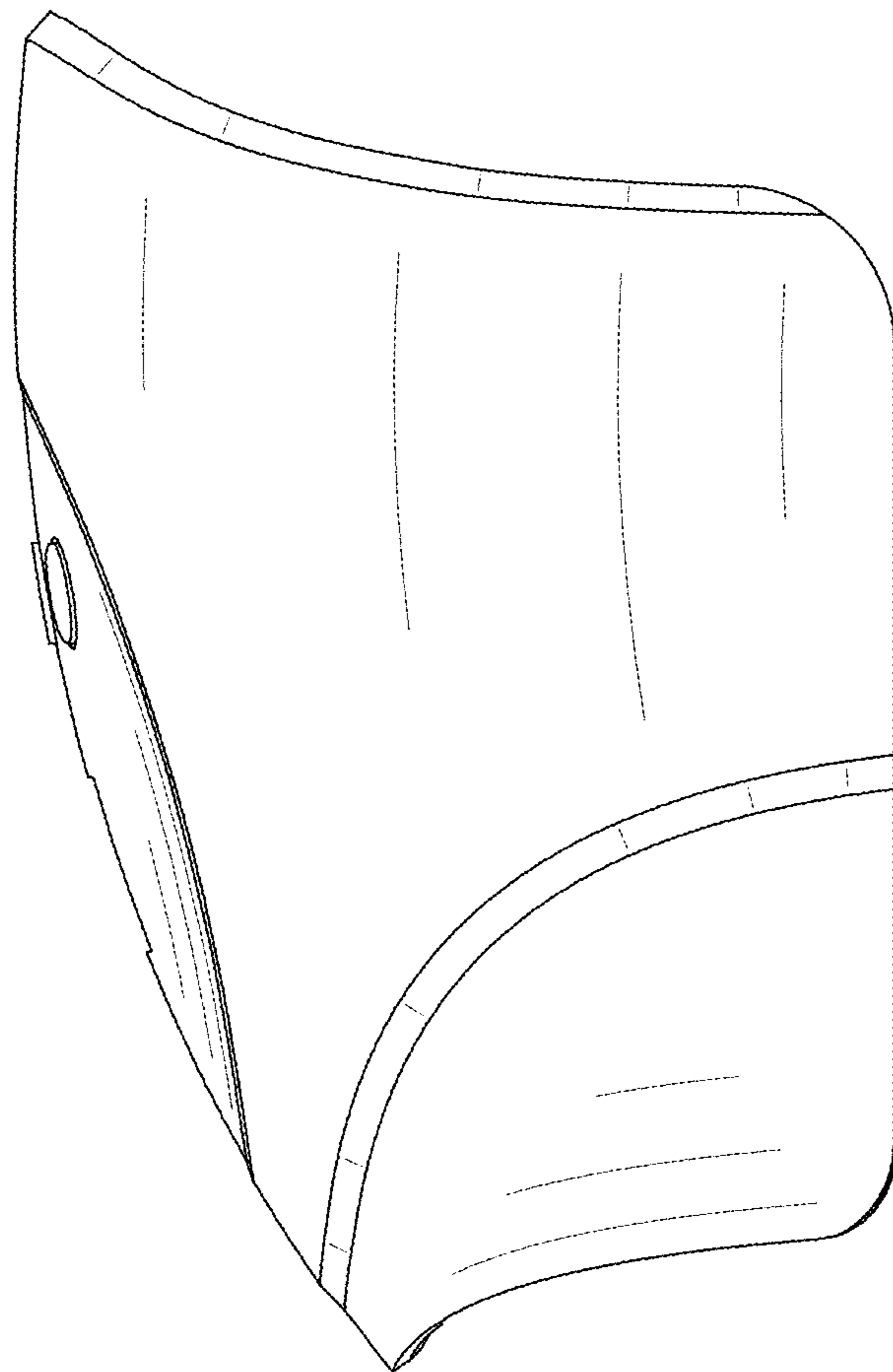


FIG. 6

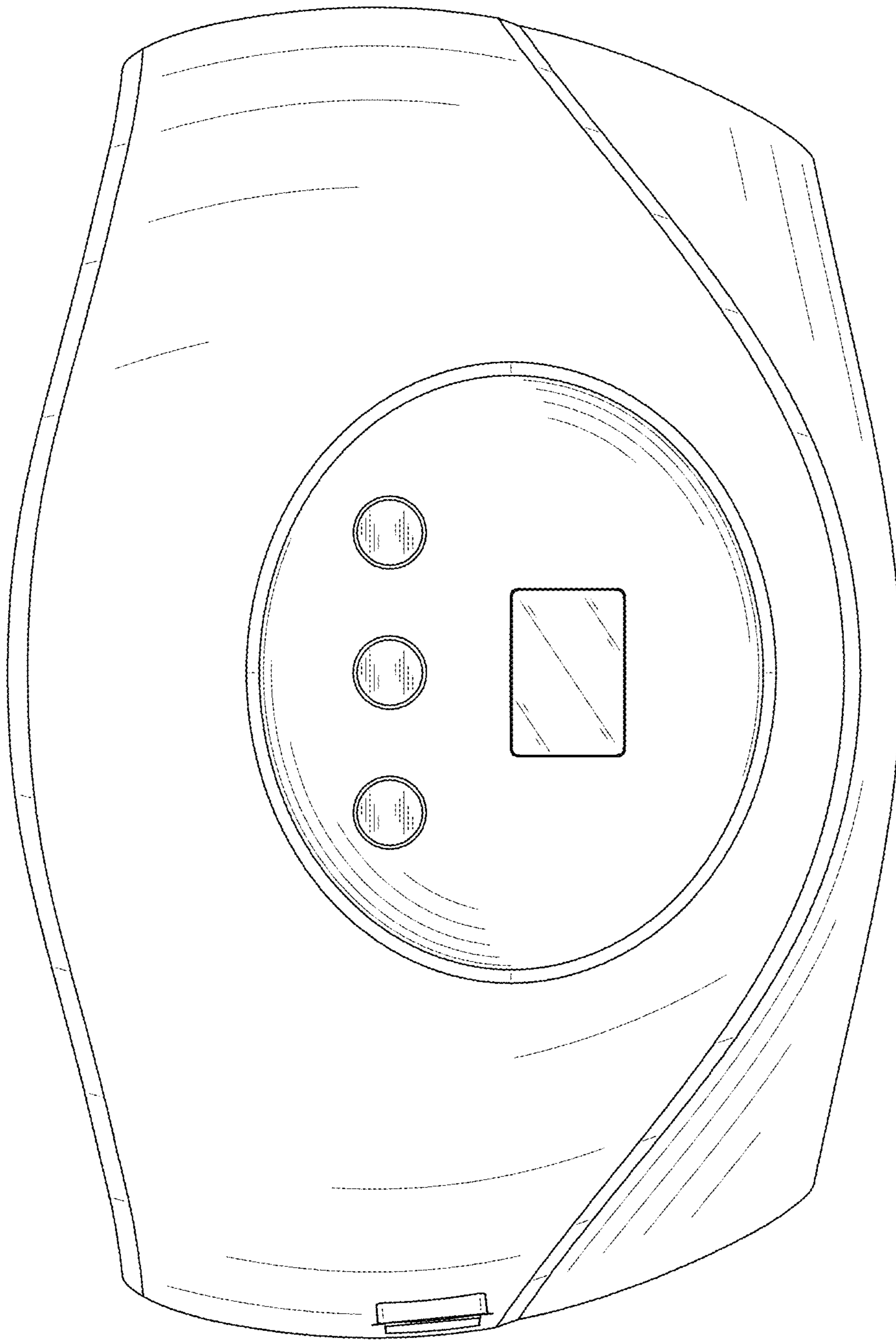


FIG. 7

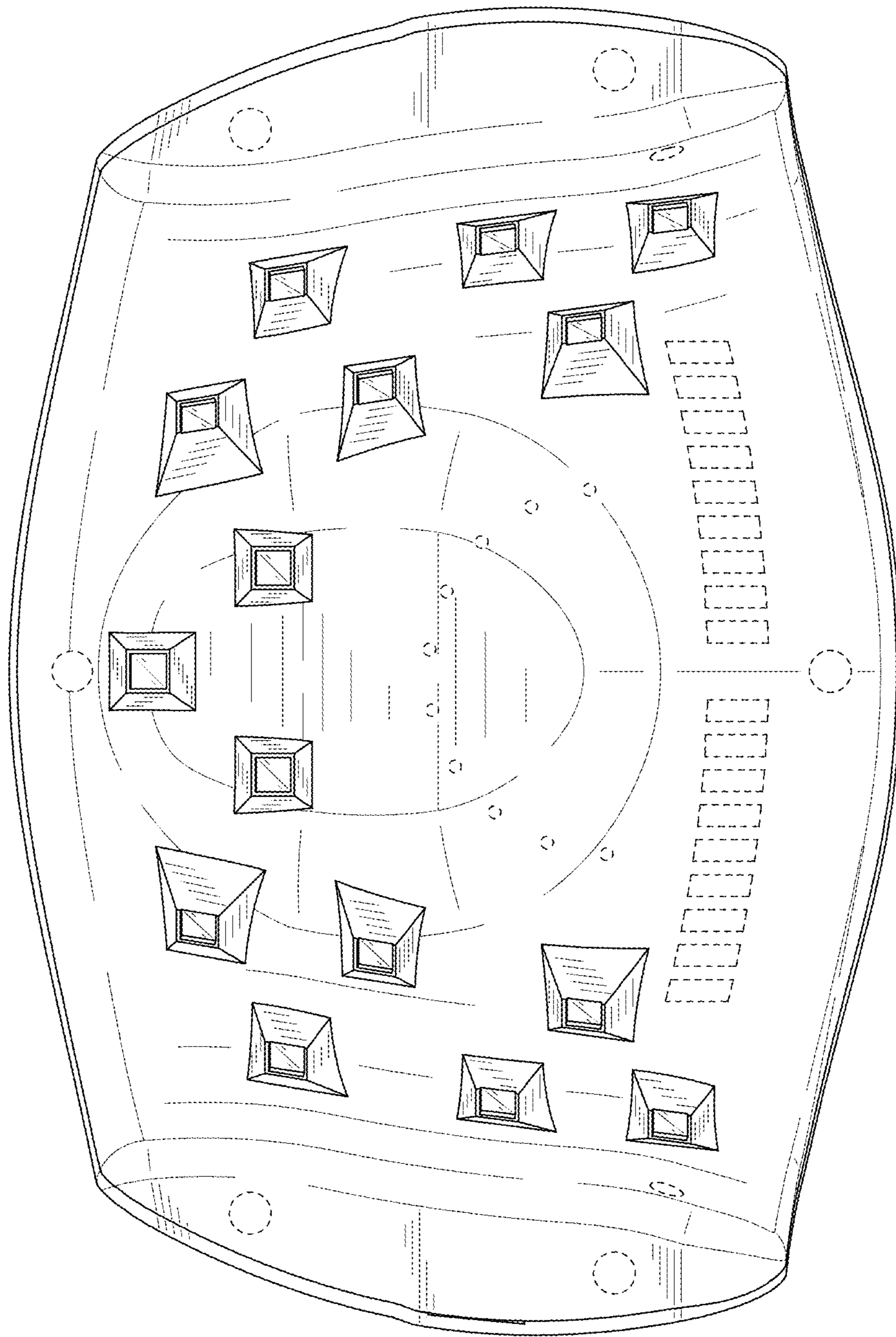


FIG. 8