



US00D982235S

(12) **United States Design Patent**
Chen

(10) **Patent No.:** **US D982,235 S**
(45) **Date of Patent:** **** Mar. 28, 2023**

- (54) **HAIR CLIP**
- (71) Applicant: **Yating Chen**, Yuzhou (CN)
- (72) Inventor: **Yating Chen**, Yuzhou (CN)
- (**) Term: **15 Years**
- (21) Appl. No.: **29/863,922**
- (22) Filed: **Dec. 23, 2022**
- (51) **LOC (14) Cl.** **28-03**
- (52) **U.S. Cl.**
USPC **D28/40**
- (58) **Field of Classification Search**
USPC D28/39, 40, 42, 43
CPC . A45D 8/00; A45D 8/002; A45D 8/14; A45D
8/16; A45D 8/18; A45D 8/20; A45D
8/22; A45D 8/24; A45D 8/30
See application file for complete search history.
- (56) **References Cited**
U.S. PATENT DOCUMENTS
5,975,092 A * 11/1999 Tsai A45D 8/20
132/273
D483,151 S * 12/2003 Walker D28/40

- D561,394 S * 2/2008 Pichon D28/40
- D580,103 S * 11/2008 Pichon D28/39
- D583,991 S 12/2008 Pichon
- D583,993 S * 12/2008 Pichon D28/39
- D923,245 S 6/2021 Liu
- D939,766 S * 12/2021 Garcia D28/40
- 2009/0255552 A1 * 10/2009 Hsu A45D 8/20
132/277

* cited by examiner

Primary Examiner — Zenia I Bennett
(74) *Attorney, Agent, or Firm* — Georgi Korobanov

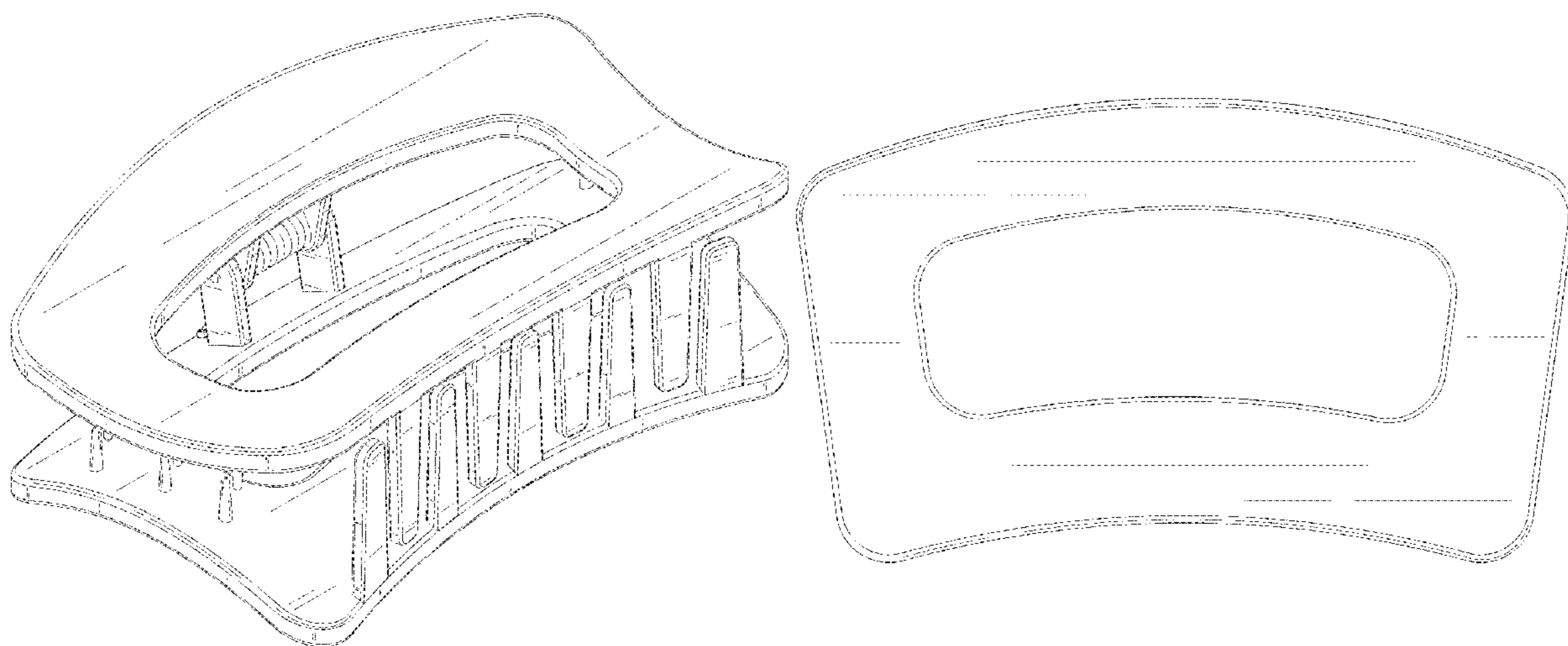
(57) **CLAIM**

The ornamental design for a hair clip, as shown and described.

DESCRIPTION

FIG. 1 is a front, left and top perspective view of a hair clip, showing my new design;
FIG. 2 is a rear, right and bottom perspective view thereof;
FIG. 3 is a front view thereof;
FIG. 4 is a rear view thereof;
FIG. 5 is a left side view thereof;
FIG. 6 is a right side view thereof;
FIG. 7 is a top plan view thereof; and,
FIG. 8 is a bottom plan view thereof.

1 Claim, 8 Drawing Sheets



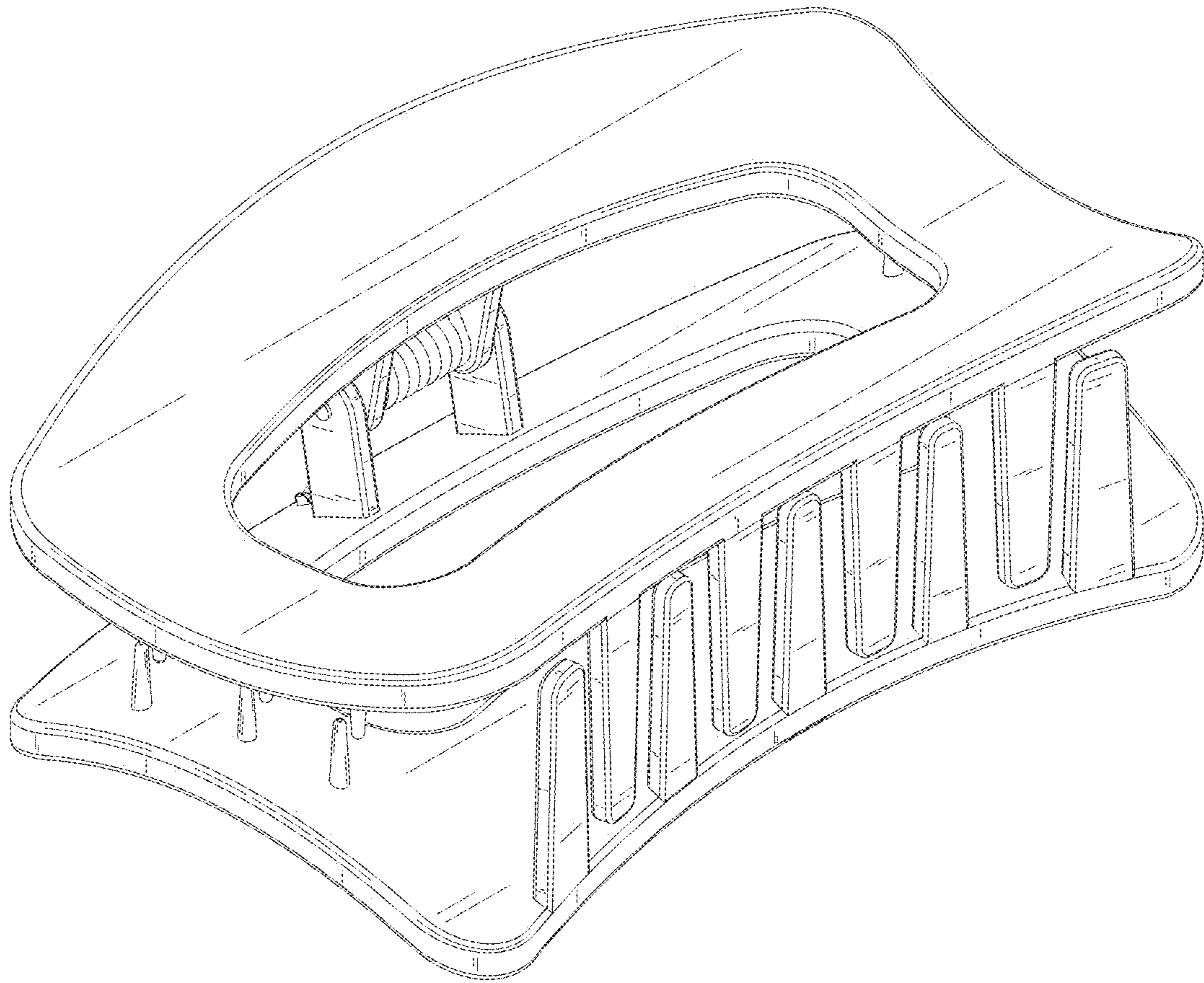


FIG. 1

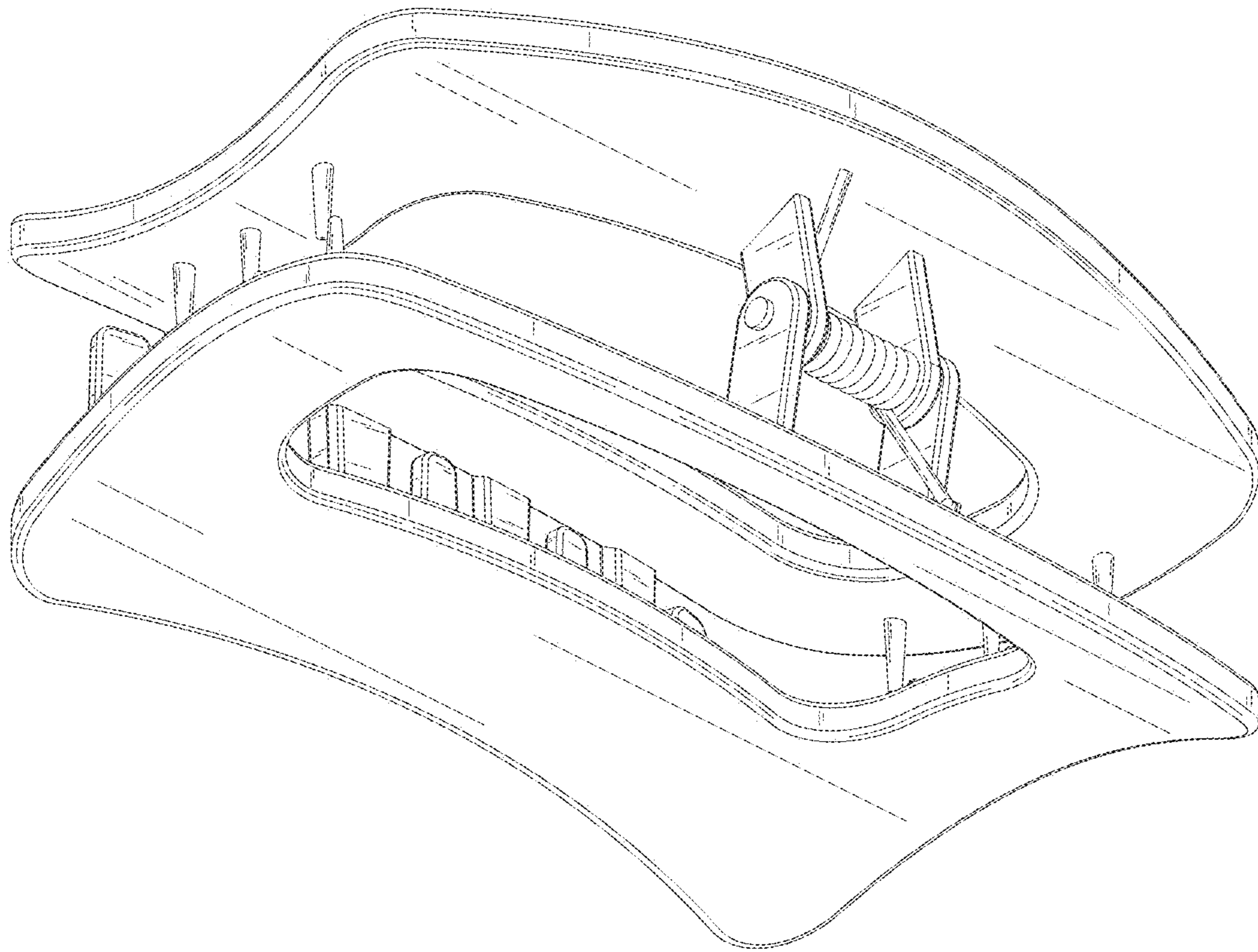


FIG. 2

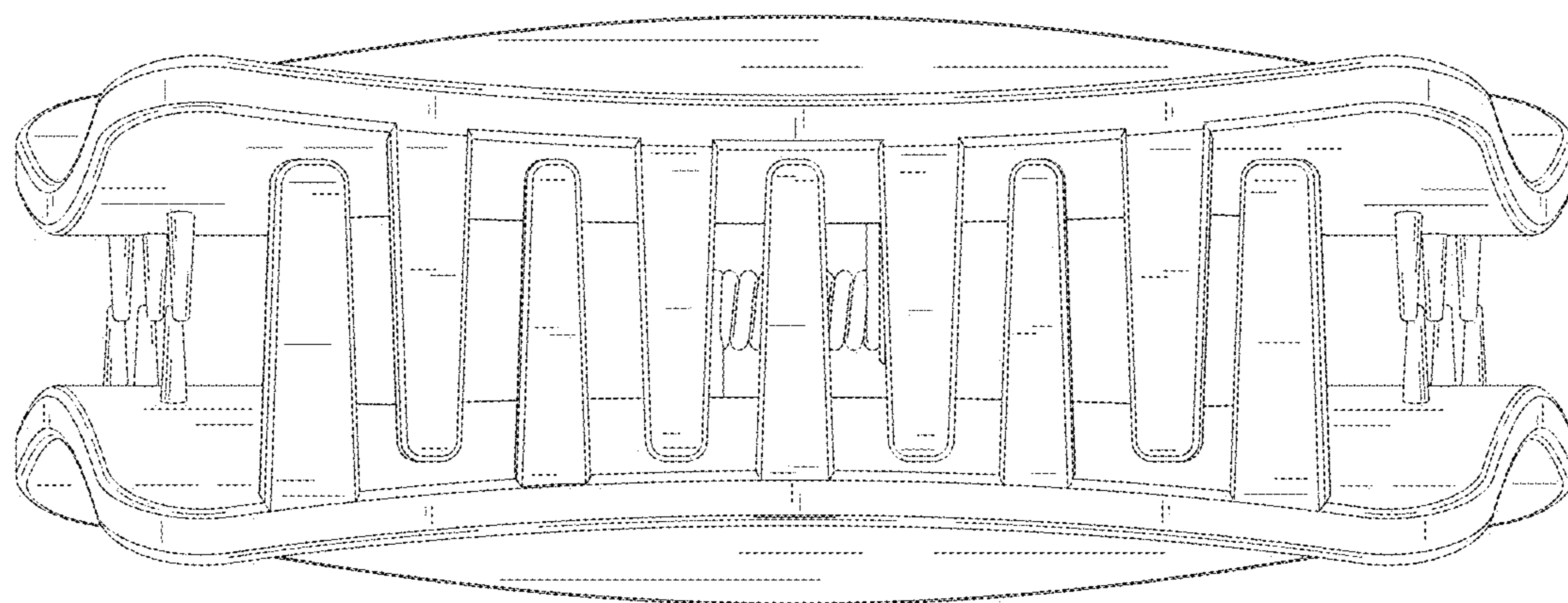


FIG. 3

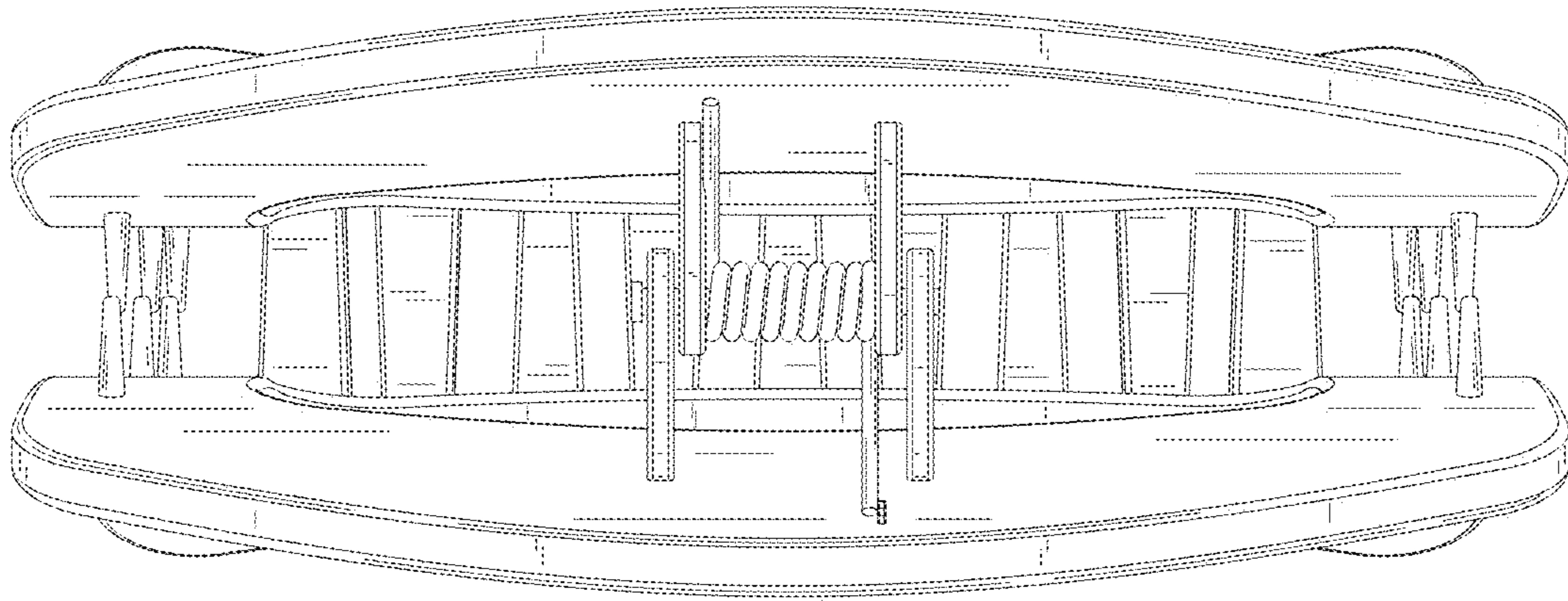


FIG. 4

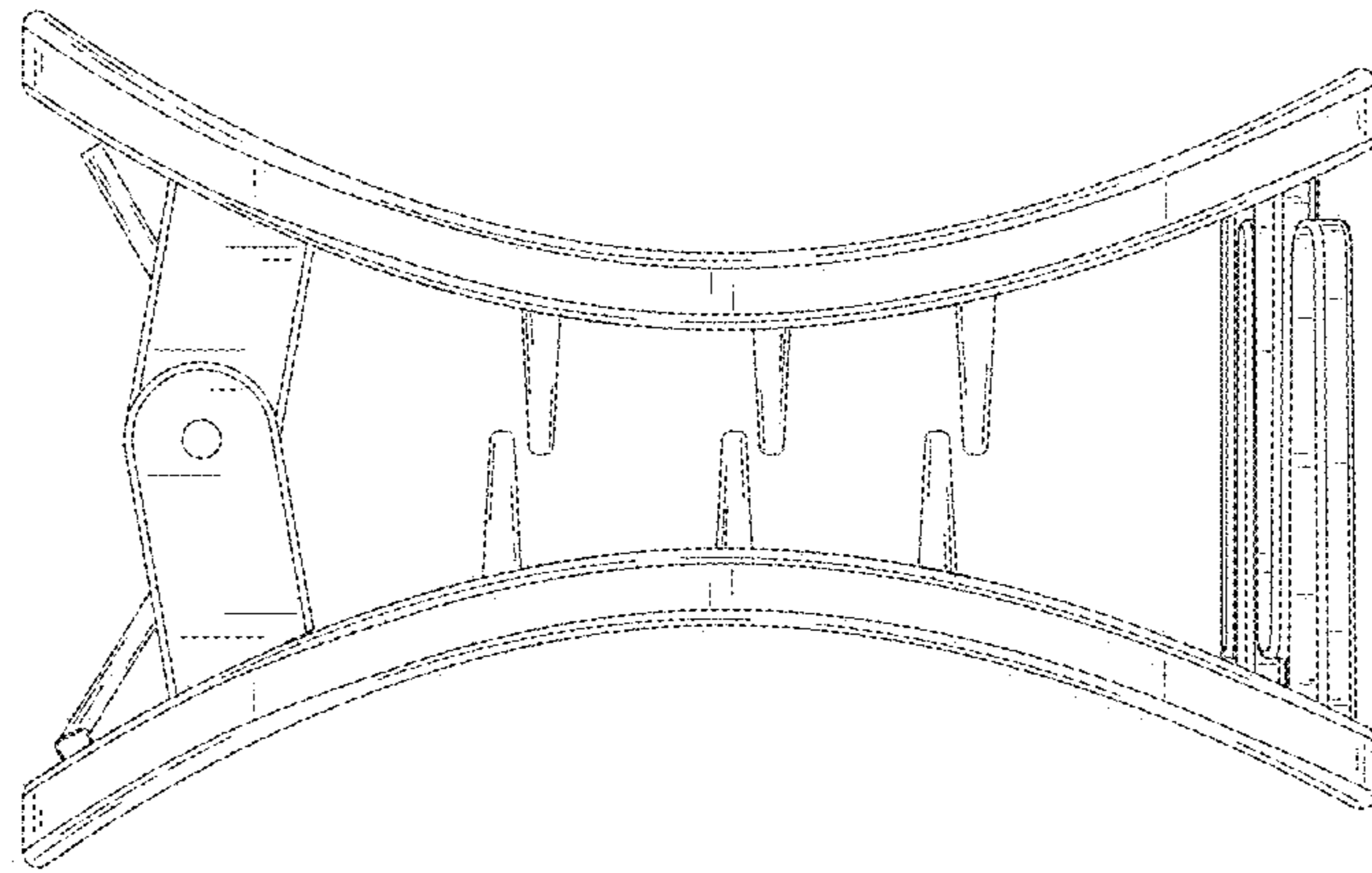


FIG. 5

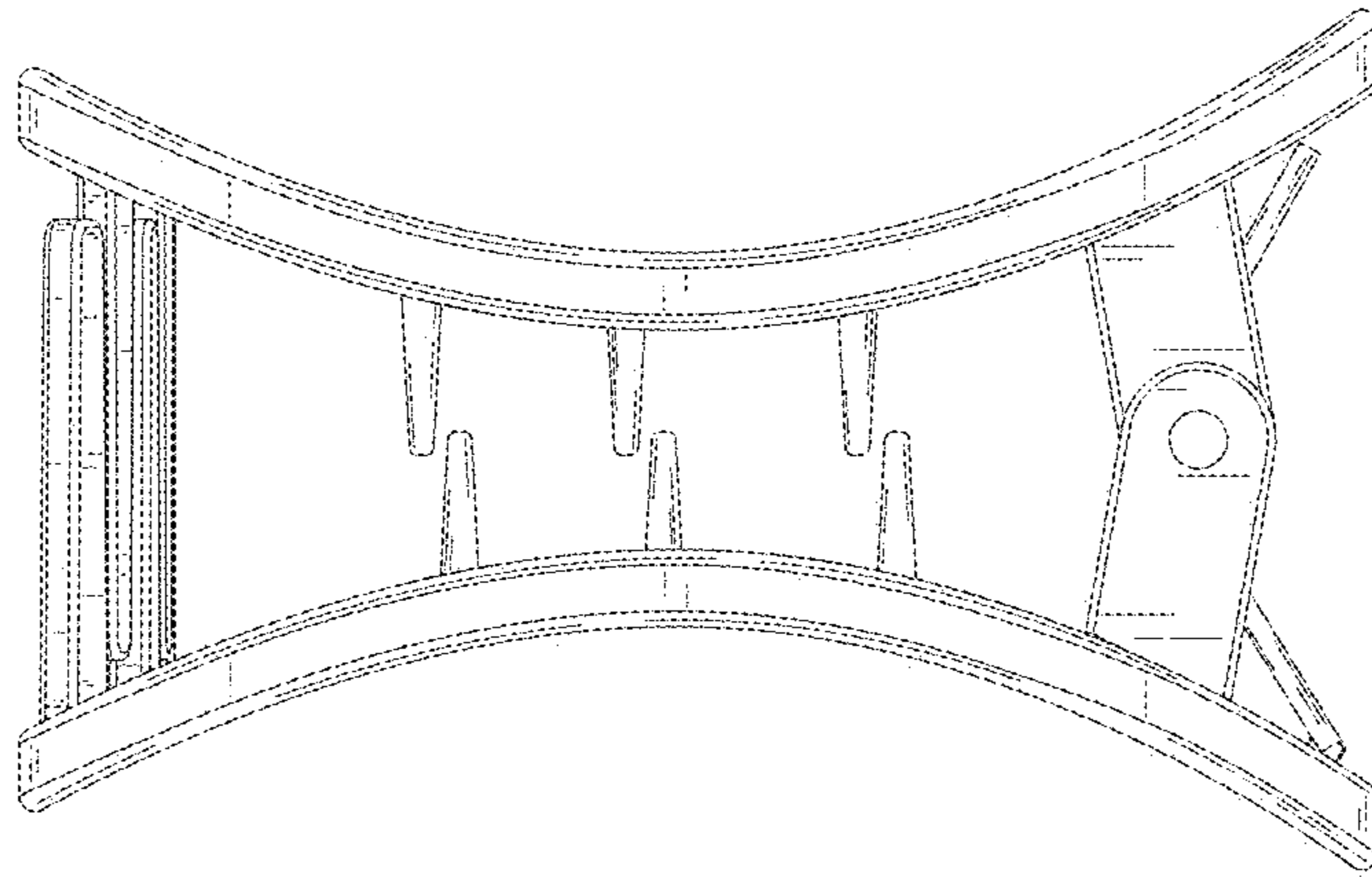


FIG. 6

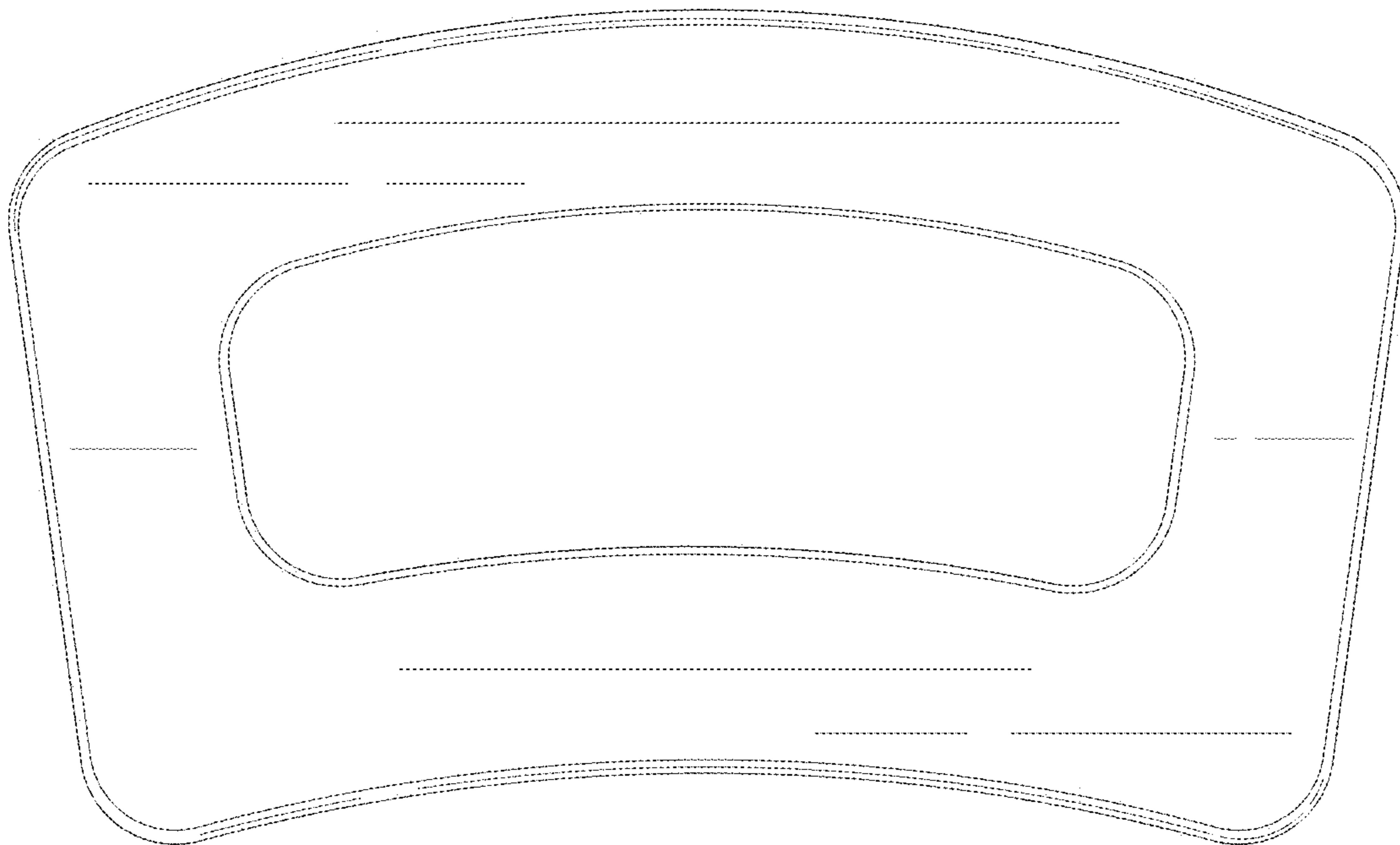


FIG. 7

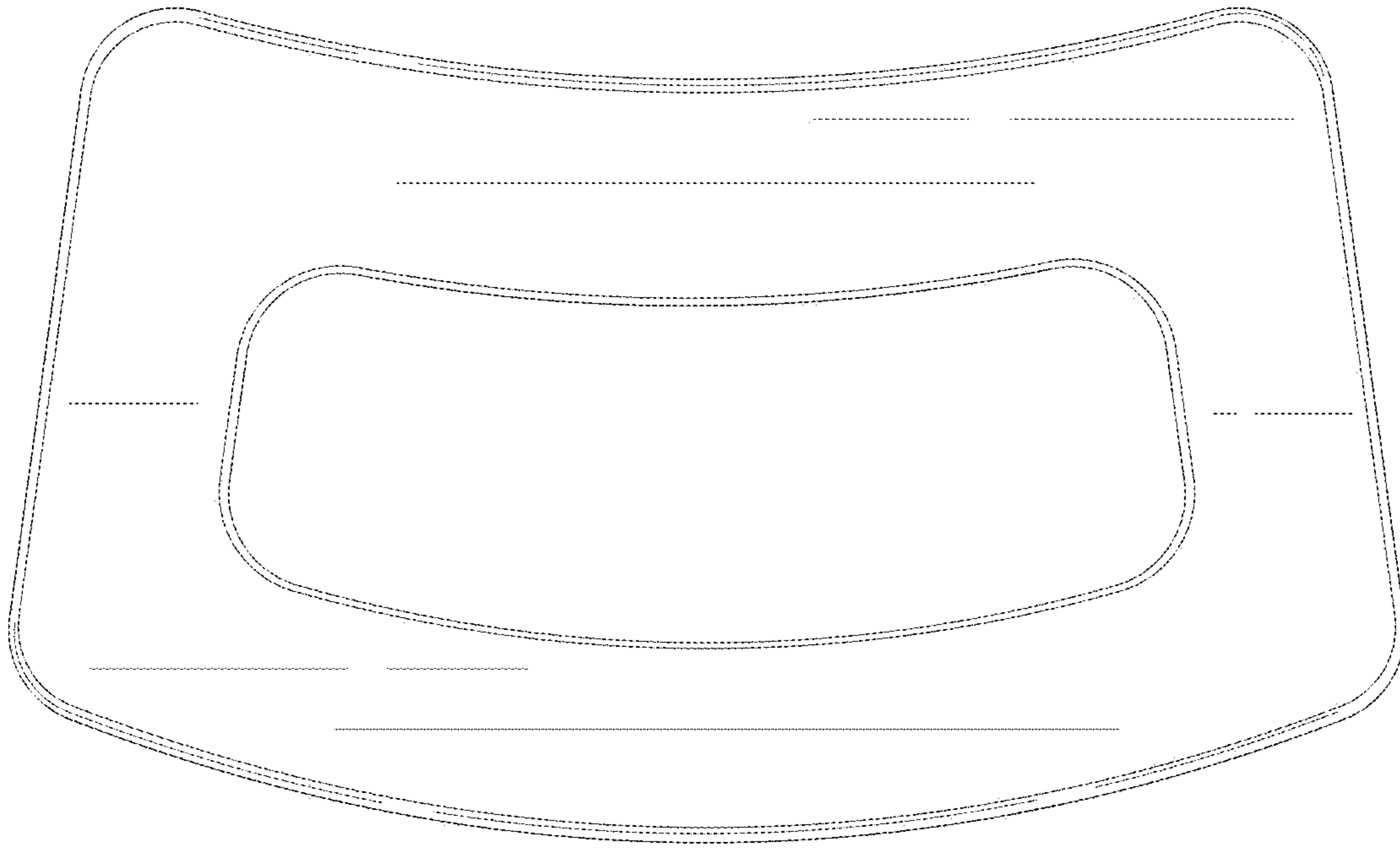


FIG. 8