

US00D982233S

(12) **United States Design Patent**
Marson

(10) **Patent No.:** **US D982,233 S**
(45) **Date of Patent:** **** Mar. 28, 2023**

(54) **GUIDE FOR HAIR CLIPPERS**

(56) **References Cited**

(71) Applicant: **Pickuls Gizmo Ltd.**, Loughborough
(GB)

U.S. PATENT DOCUMENTS

(72) Inventor: **Joseph James Marson**, Loughborough
(GB)

D253,850 S *	1/1980	Haselrig	D28/25
D259,666 S *	6/1981	Williams	D28/22
D289,567 S *	4/1987	O'Connor	D28/25
D409,332 S *	5/1999	Dennino	D28/30
D452,982 S *	1/2002	Offer	D28/29
D480,835 S *	10/2003	Hegner	D28/29
D957,737 S *	7/2022	Park	D28/34
D970,117 S *	11/2022	Lambrecht	D28/54

(**) Term: **15 Years**

* cited by examiner

(21) Appl. No.: **35/513,233**

(22) Filed: **Oct. 29, 2021**

Primary Examiner — Zenia I Bennett

(80) **Hague Agreement Data**

Int. Filing Date: **Oct. 29, 2021**

Int. Reg. No.: **DM/217857**

Int. Reg. Date: **Oct. 29, 2021**

Int. Reg. Pub. Date: **Dec. 24, 2021**

(57) **CLAIM**

The ornamental design for a guide for hair clippers, as shown and described.

(51) **LOC (14) Cl.** **28-03**

(52) **U.S. Cl.**
USPC **D28/29**

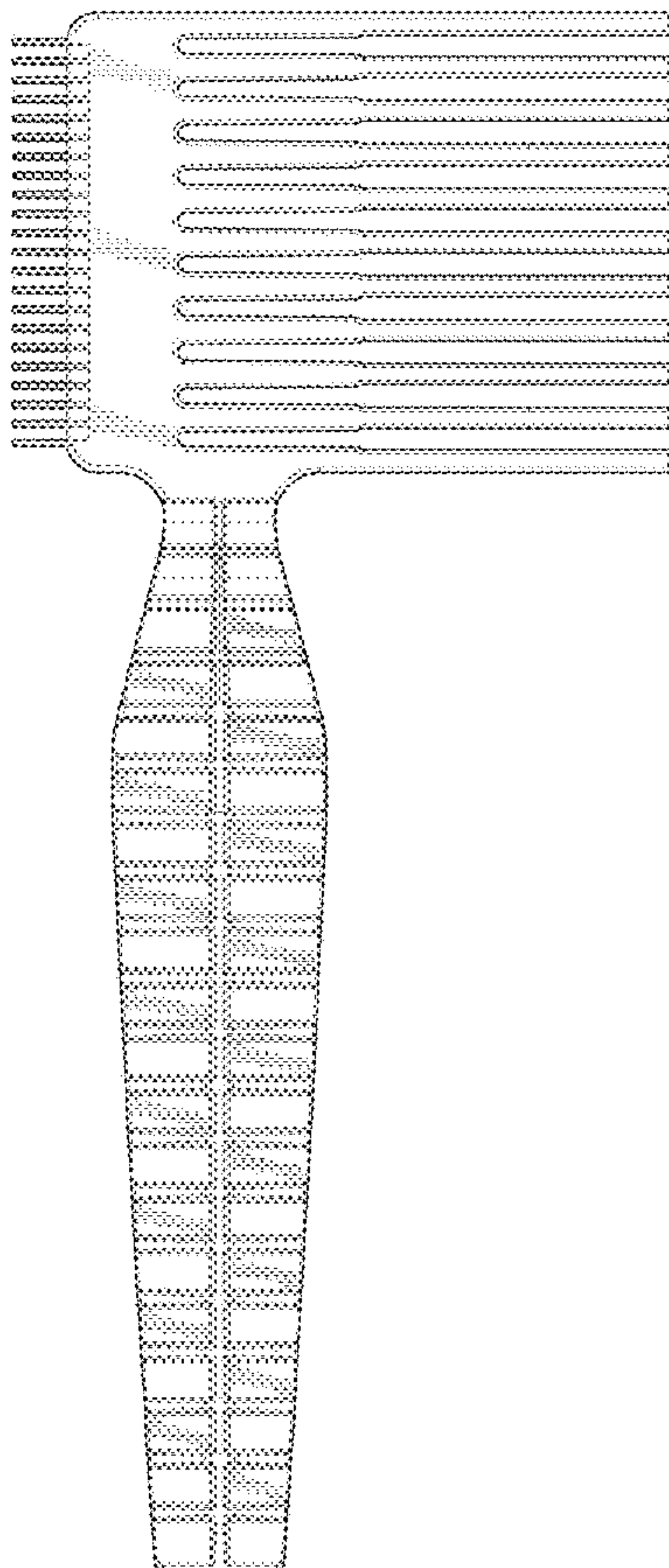
DESCRIPTION

(58) **Field of Classification Search**
USPC D28/7, 20–34; D30/158, 159
CPC A45D 24/00; A45D 24/005; A45D 24/02;
A45D 24/04; A45D 24/06; A45D 24/14;
A45D 24/22

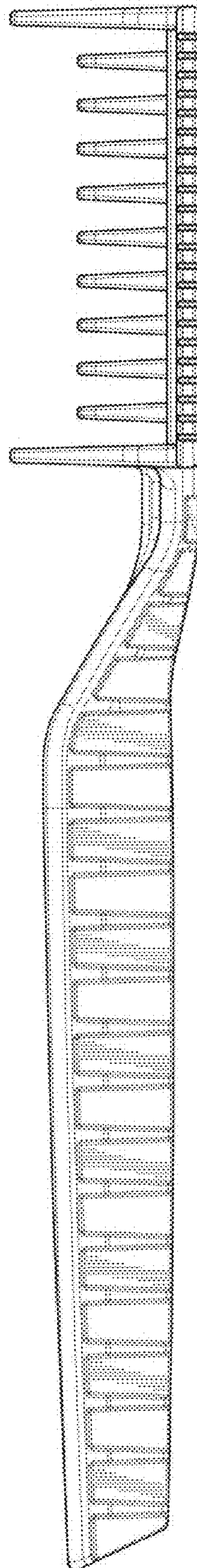
1. Guide for hair clippers
- 1.1 is a right side view;
- 1.2 is a left side view;
- 1.3 is a perspective view;
- 1.4 is a front view;
- 1.5 is a rear view;
- 1.6 is an alternate perspective view;
- 1.7 is a bottom view.

See application file for complete search history.

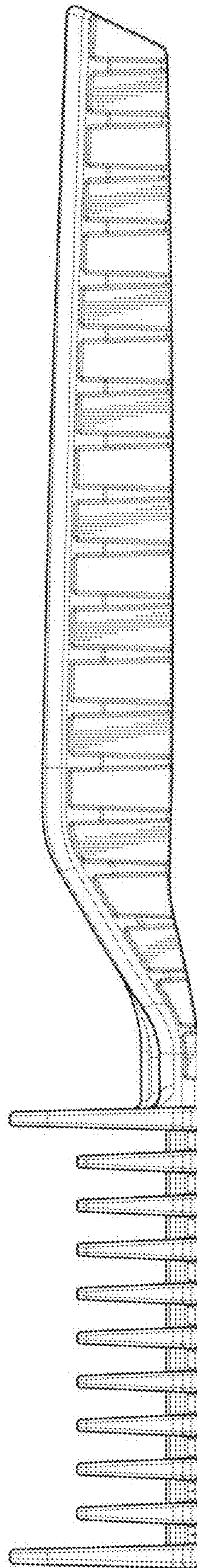
1 Claim, 7 Drawing Sheets



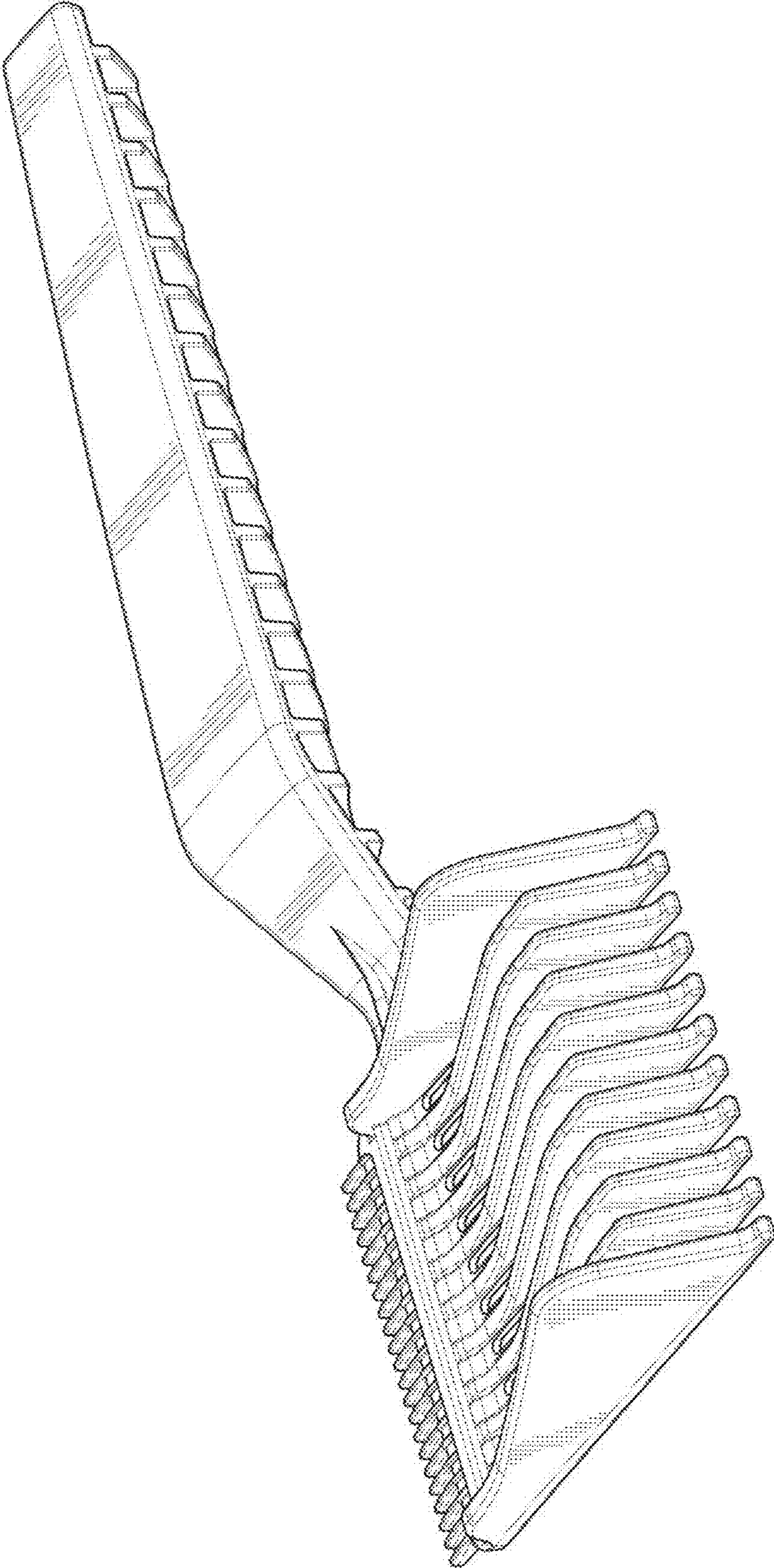
1.1



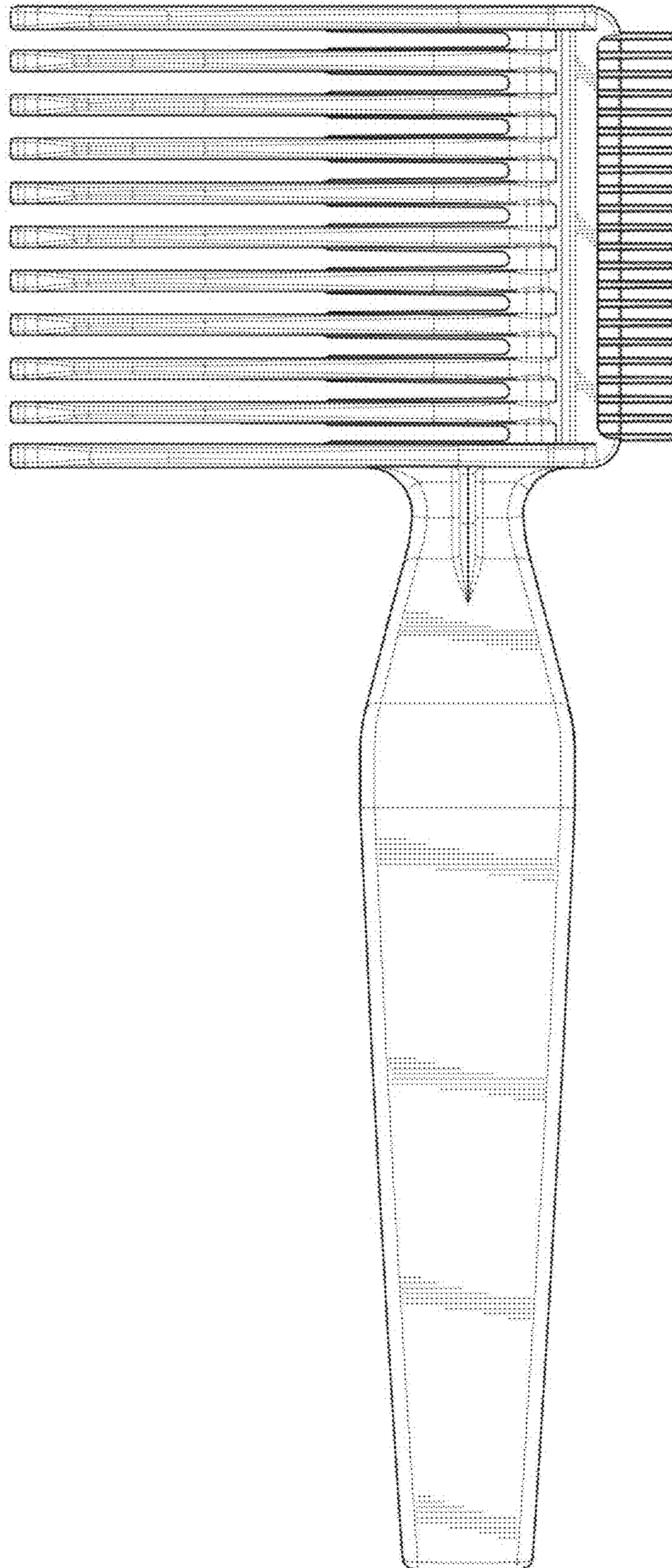
1.2



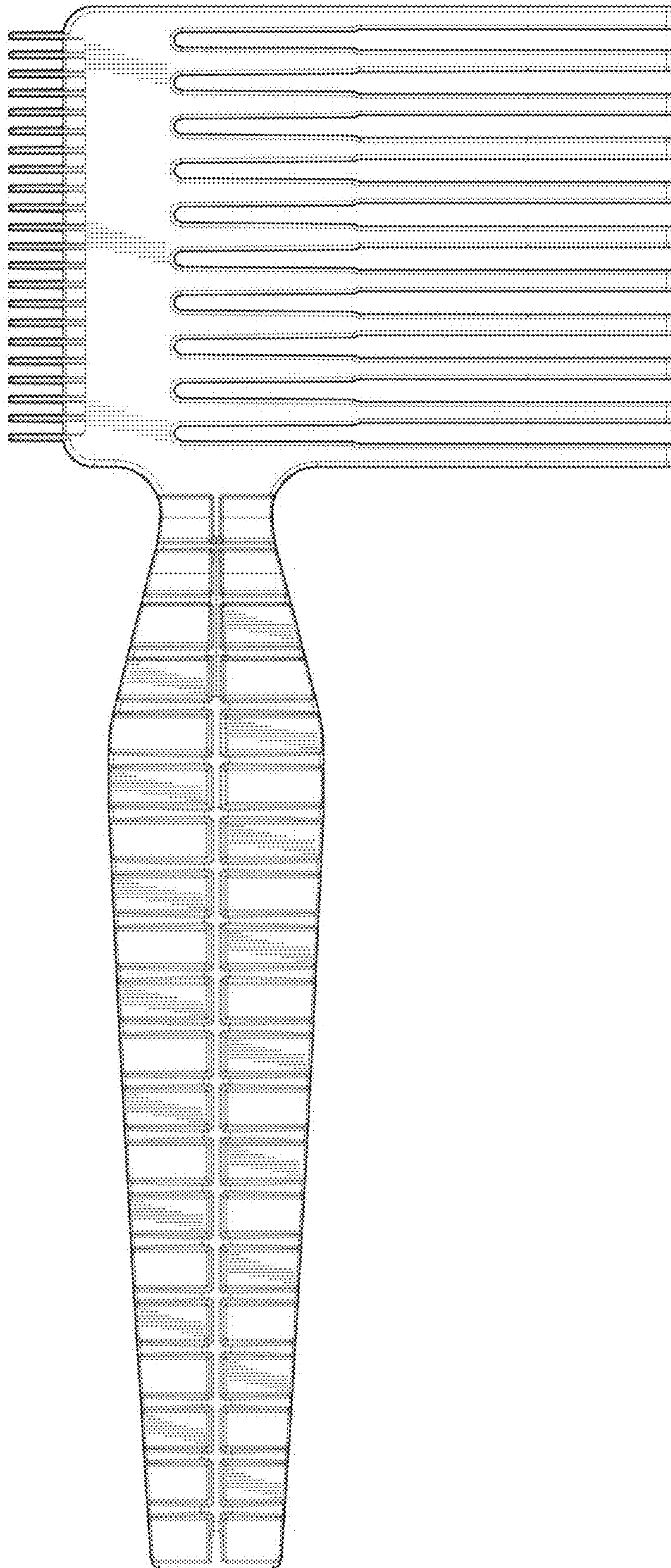
1.3



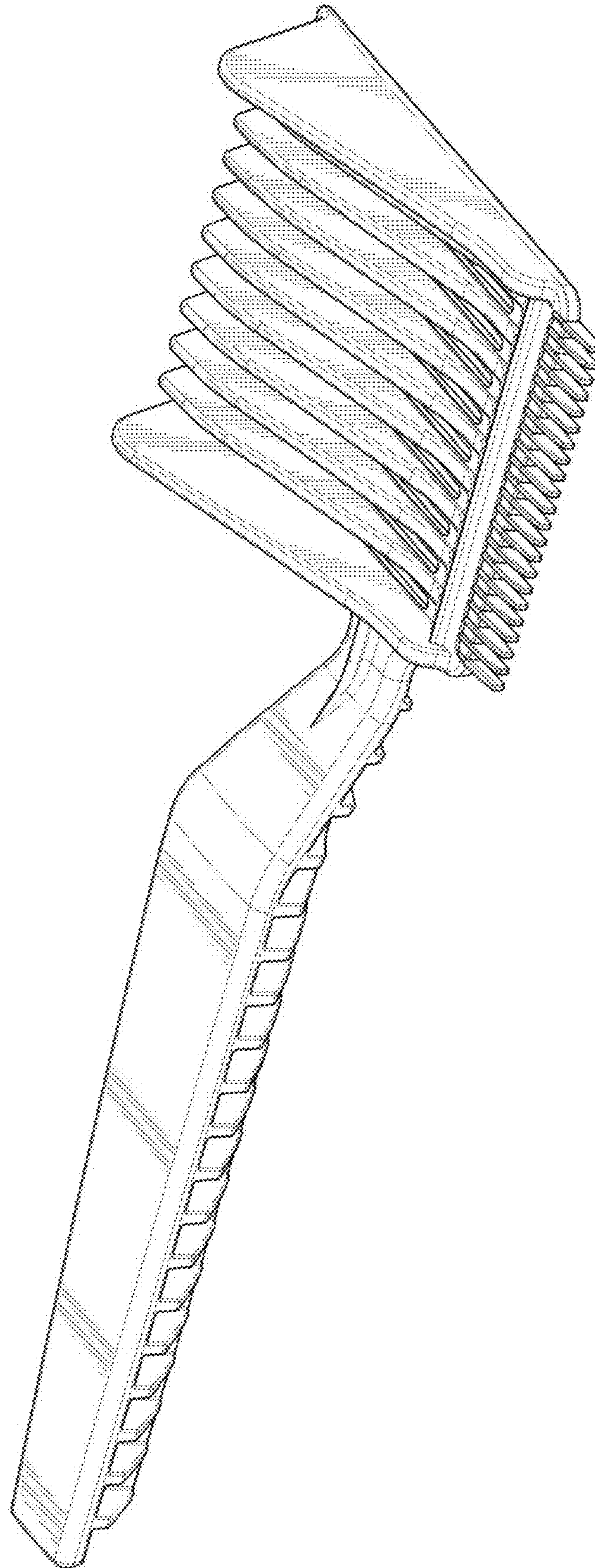
1.4



1.5



1.6



1.7

