



US00D982232S

(12) **United States Design Patent**  
**Li**

(10) **Patent No.:** **US D982,232 S**

(45) **Date of Patent:** **\*\* Mar. 28, 2023**

(54) **HAIR DRYER**

(71) Applicant: **Guangzhou Sway Technology Company Limited, Guangdong (CN)**

(72) Inventor: **Xiangzhou Li, Guangdong (CN)**

(73) Assignee: **Guangzhou Sway Technology Company Limited, Guangdong (CN)**

(\*\*) Term: **15 Years**

(21) Appl. No.: **29/795,383**

(22) Filed: **Jun. 17, 2021**

(30) **Foreign Application Priority Data**

May 13, 2021 (CN) ..... 202130285553.7

(51) **LOC (14) Cl.** ..... **28-03**

(52) **U.S. Cl.**  
USPC ..... **D28/13**

(58) **Field of Classification Search**  
USPC ..... D28/12-19; D8/29.1  
CPC ..... A45D 20/00; A45D 20/04; A45D 20/08;  
A45D 20/10; A45D 20/12; A45D  
2020/128  
See application file for complete search history.

(56) **References Cited**

**U.S. PATENT DOCUMENTS**

D253,253 S \* 10/1979 Rakocy ..... D28/13  
D791,407 S \* 7/2017 Smith ..... D28/13

D903,194 S \* 11/2020 Huang ..... D28/13  
D911,603 S \* 2/2021 Wang ..... D28/13  
D925,825 S \* 7/2021 Lo ..... D28/13  
D926,370 S \* 7/2021 Sun ..... D28/13  
D934,496 S \* 10/2021 Huang ..... D28/13  
D943,201 S \* 2/2022 Liu ..... D28/13  
D952,248 S \* 5/2022 Lei ..... D28/13  
D952,940 S \* 5/2022 Mo ..... D28/13

\* cited by examiner

*Primary Examiner* — Zenia I Bennett

(74) *Attorney, Agent, or Firm* — ScienBiziP, P.C.

(57) **CLAIM**

The ornamental design for a hair dryer, as shown and described.

**DESCRIPTION**

FIG. 1 is a front, right, and top perspective view of a hair dryer, showing my design.

FIG. 2 is a rear, left, and bottom perspective view thereof.

FIG. 3 is a front elevation view thereof.

FIG. 4 is a rear elevation view thereof.

FIG. 5 is a right side elevation view thereof.

FIG. 6 is a left side elevation view thereof.

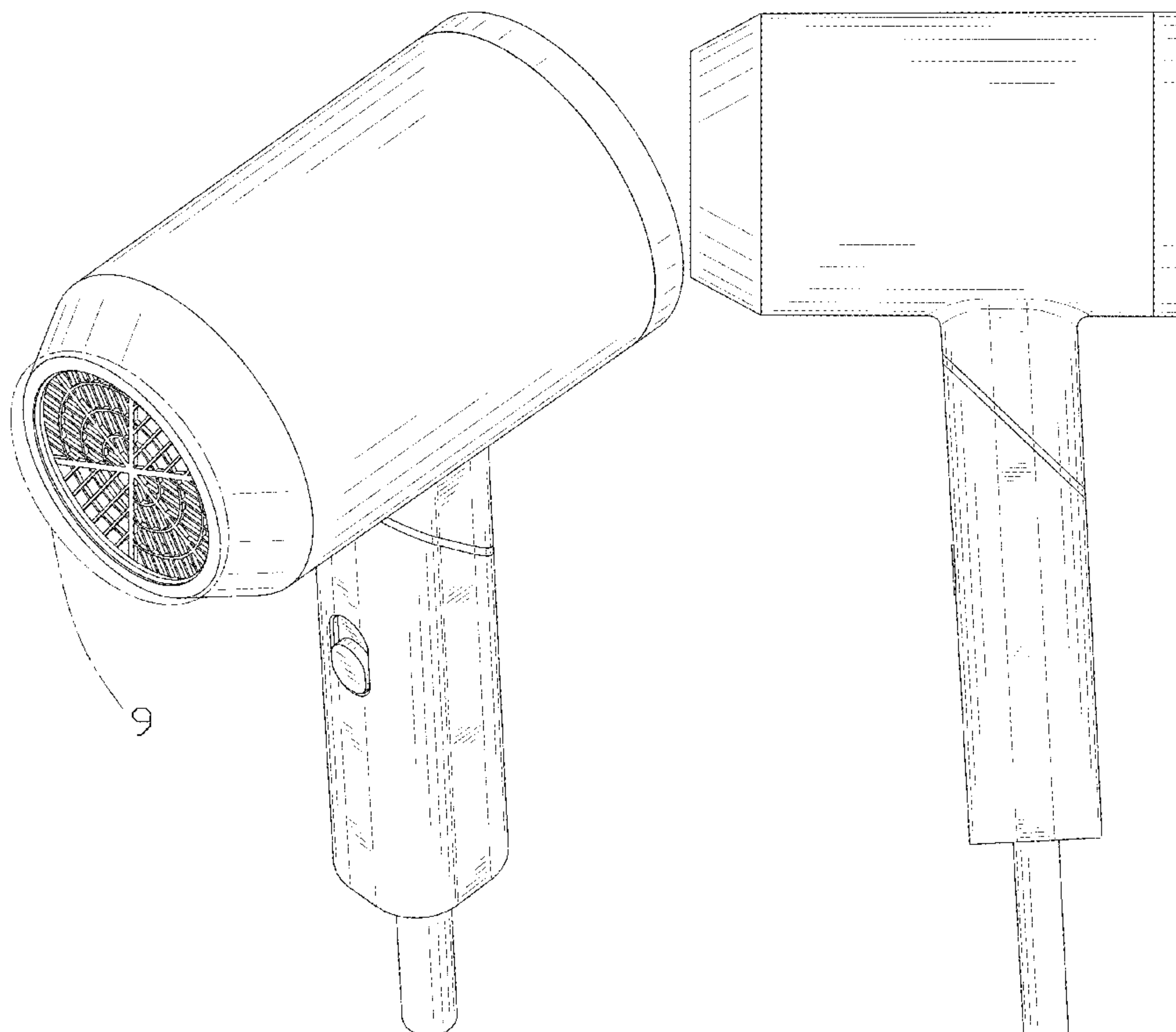
FIG. 7 is a top plan view thereof.

FIG. 8 is a bottom plan view thereof; and,

FIG. 9 is a partial enlarged view of an area labeled 9 in FIG. 1 comprising an air outlet.

The broken lines shown in the drawings are included for the purpose of illustrating portions of the hair dryer that form no part of the claimed design.

**1 Claim, 9 Drawing Sheets**



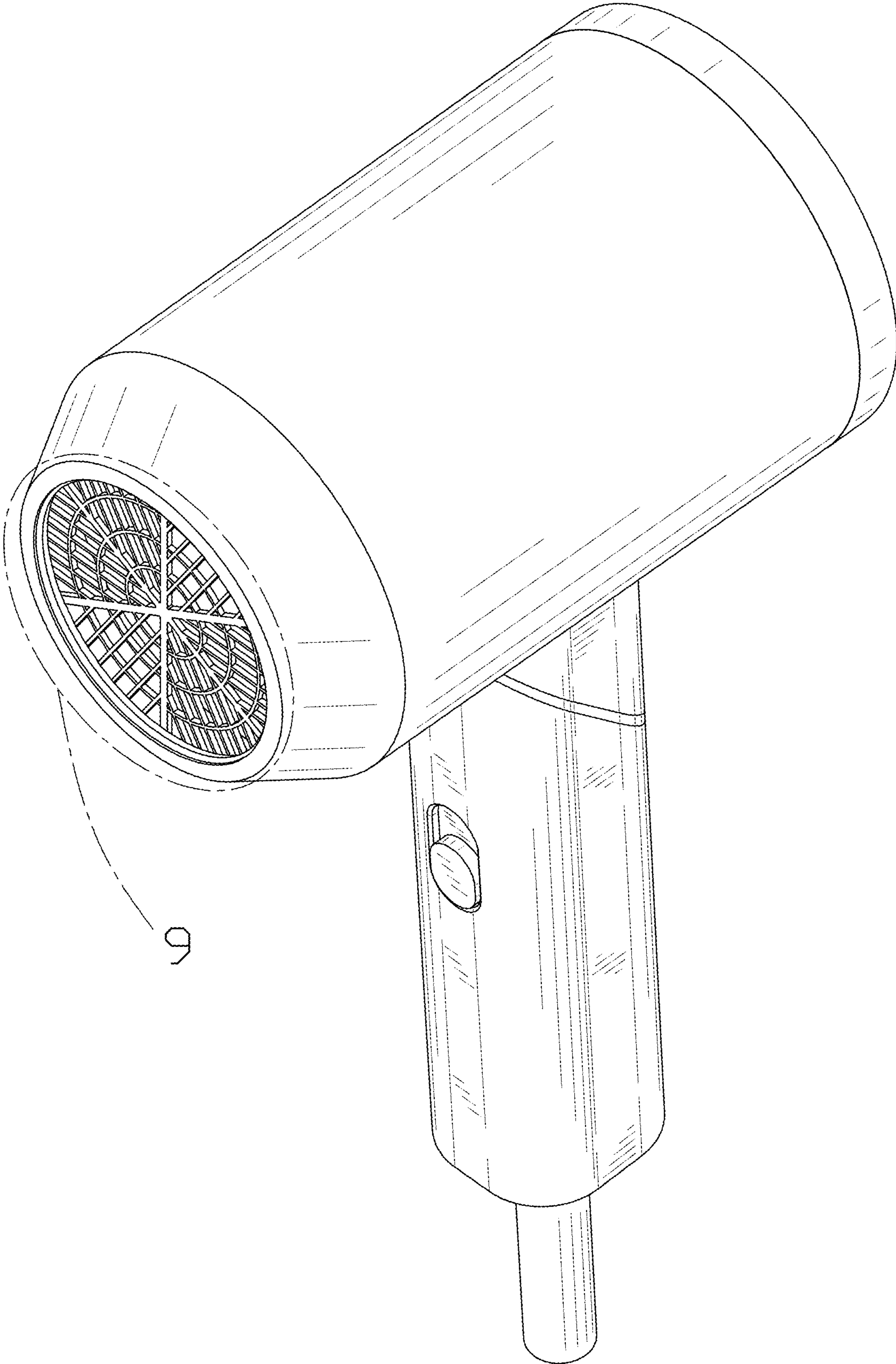


FIG. 1

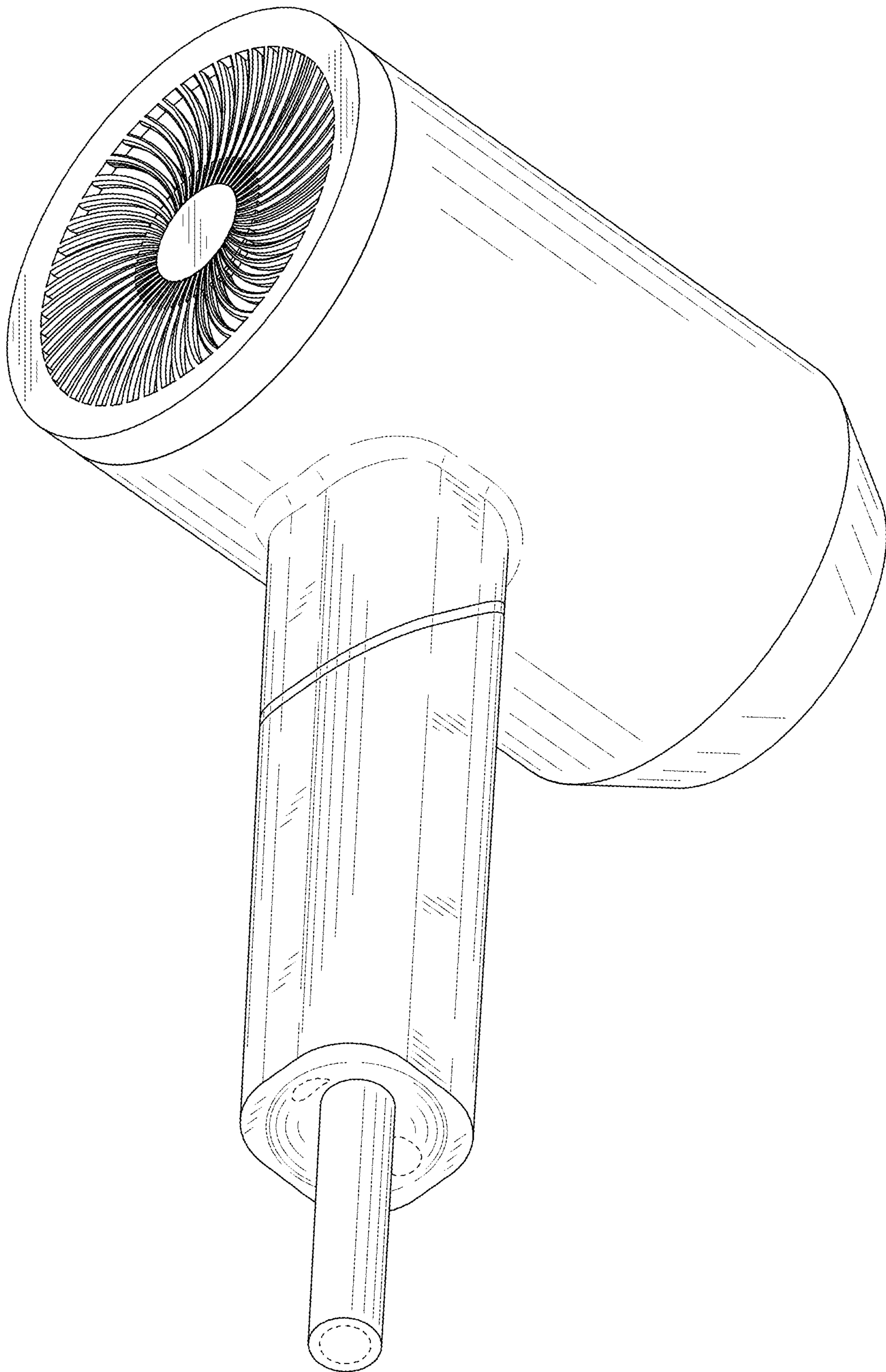


FIG. 2



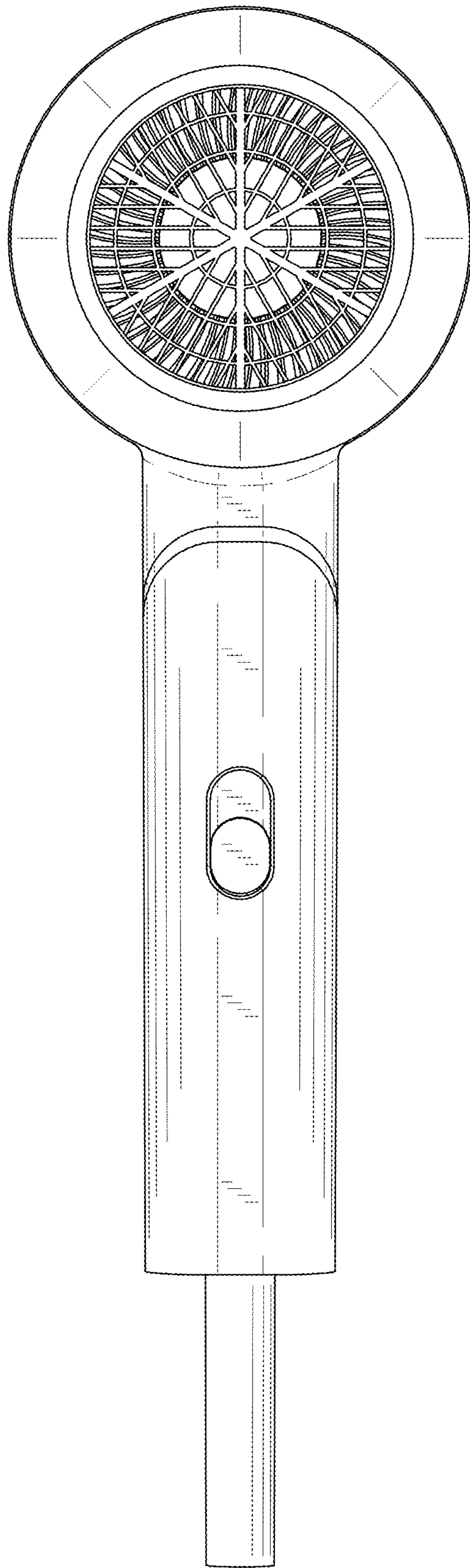


FIG. 3

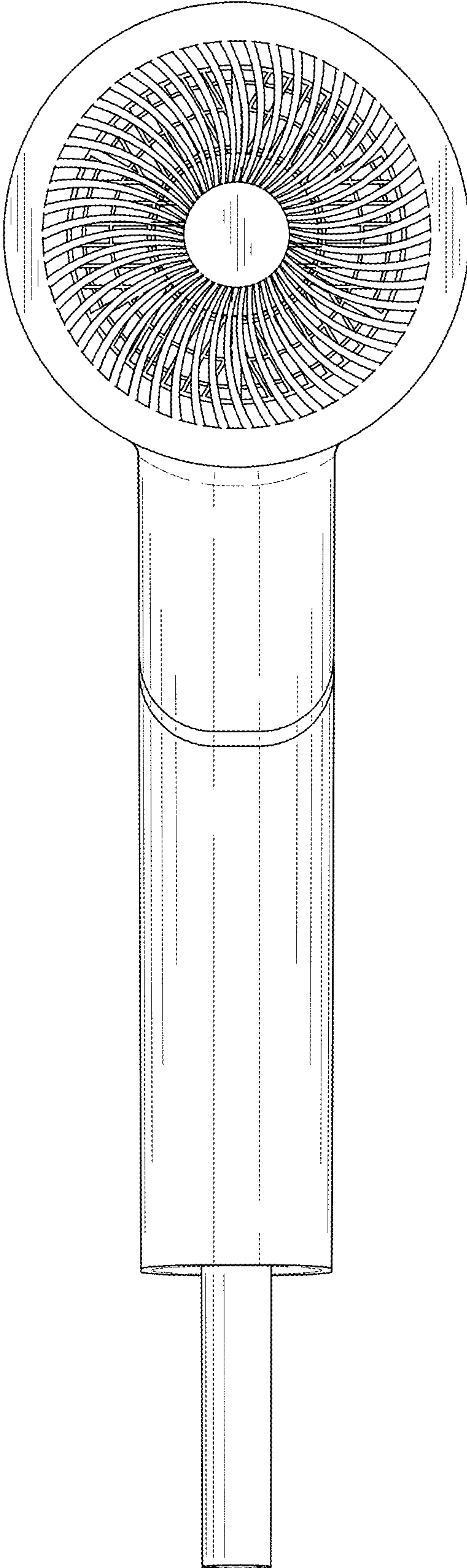


FIG. 4

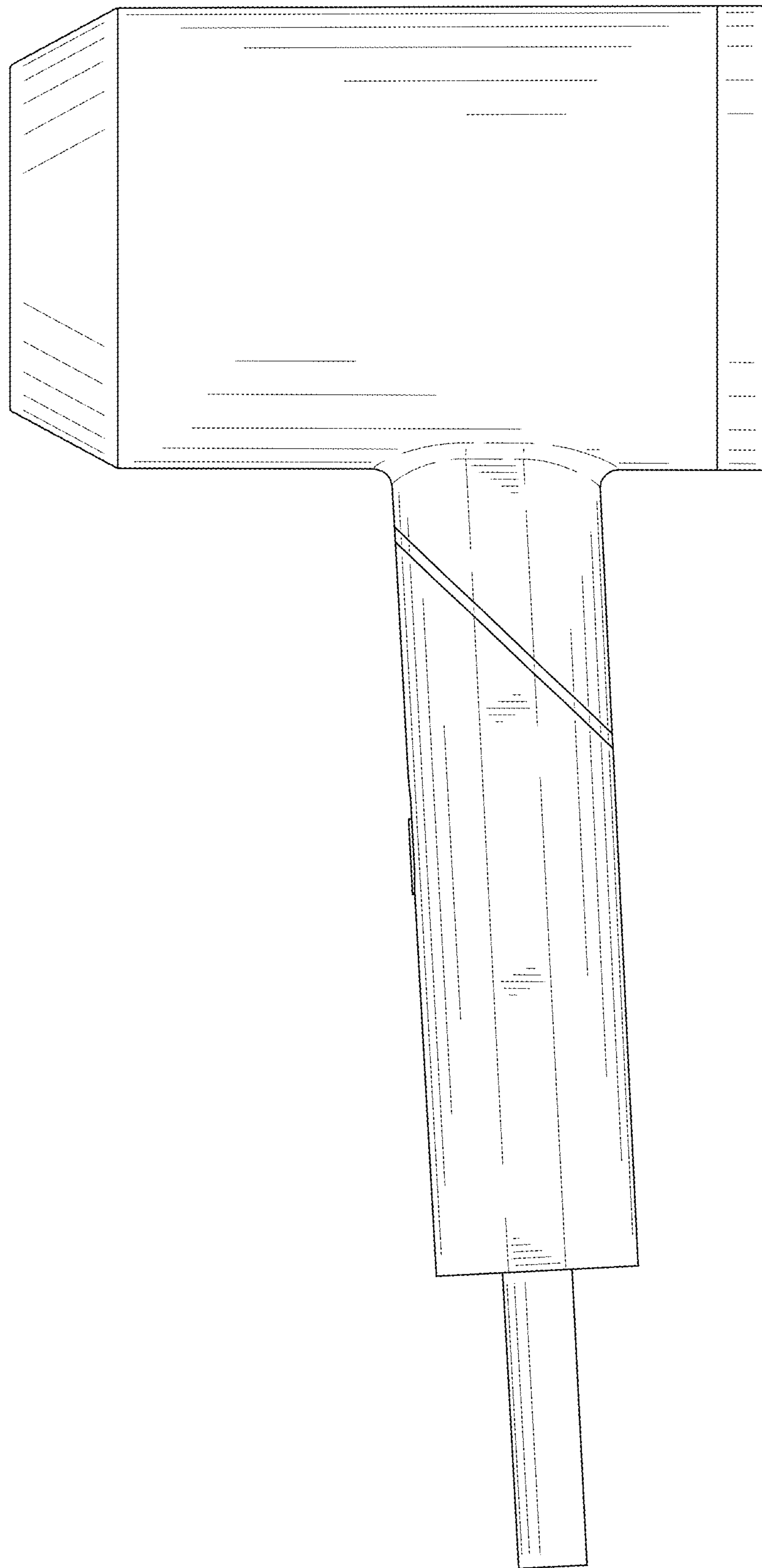


FIG. 5

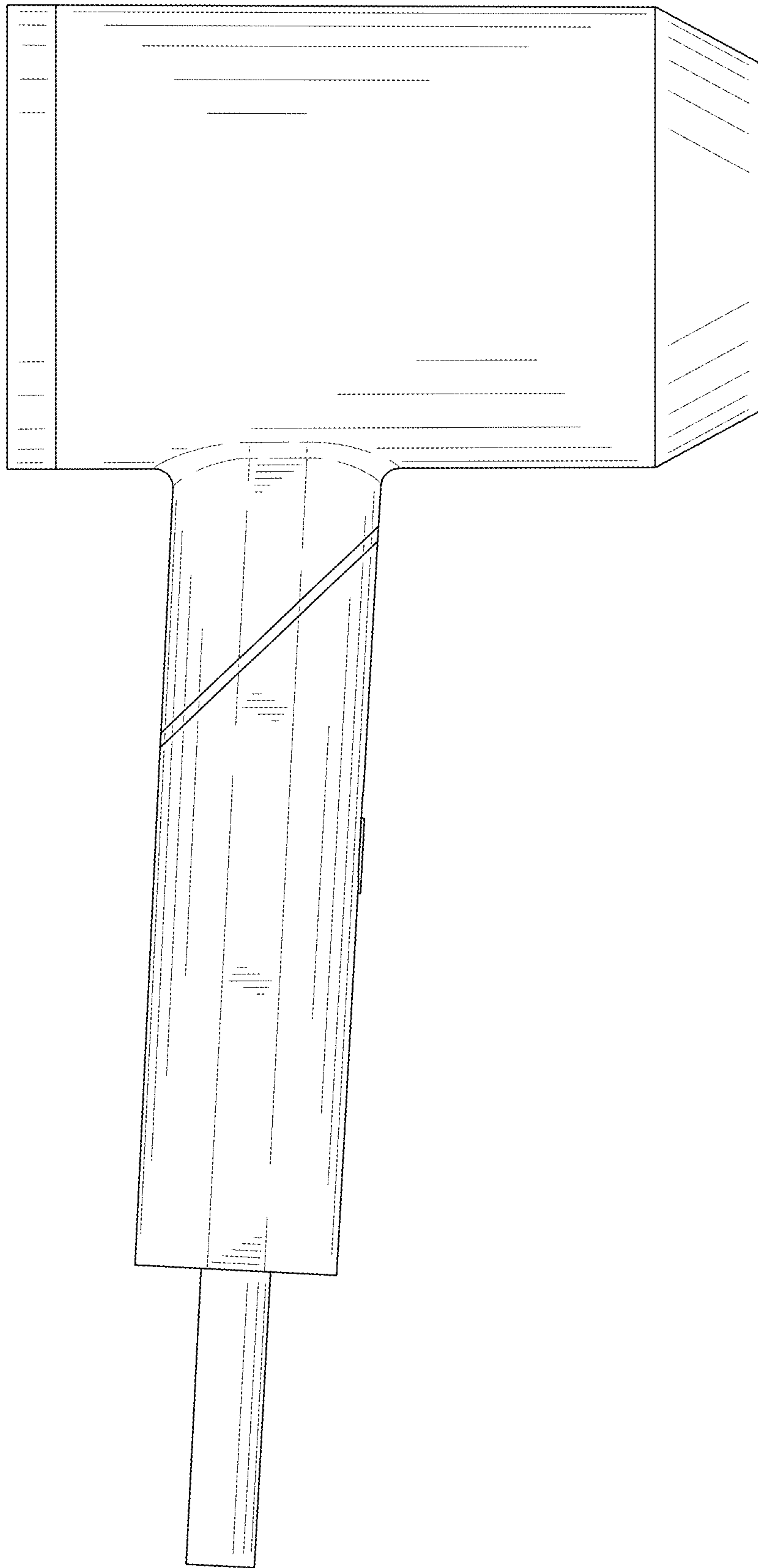


FIG. 6

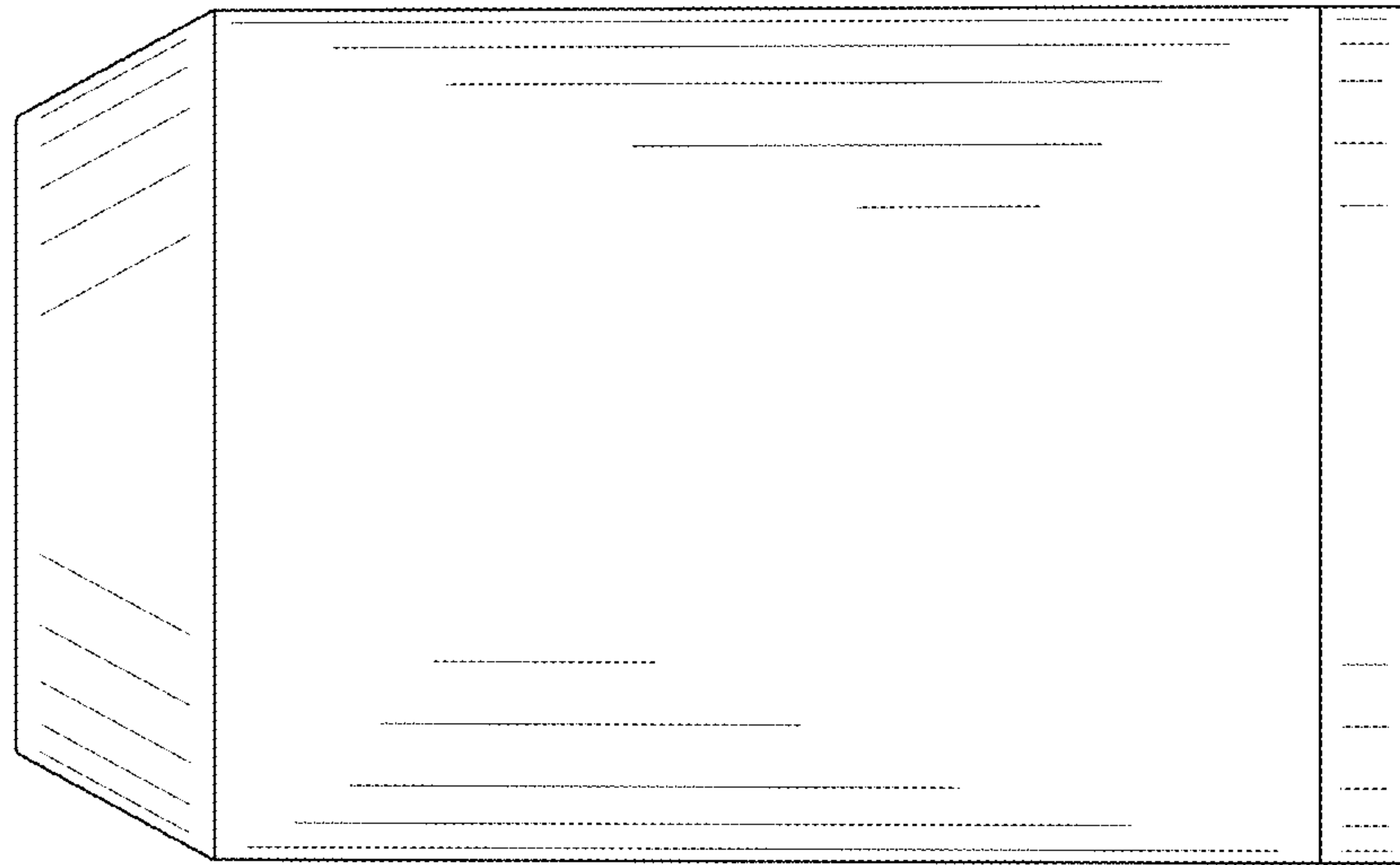


FIG. 7



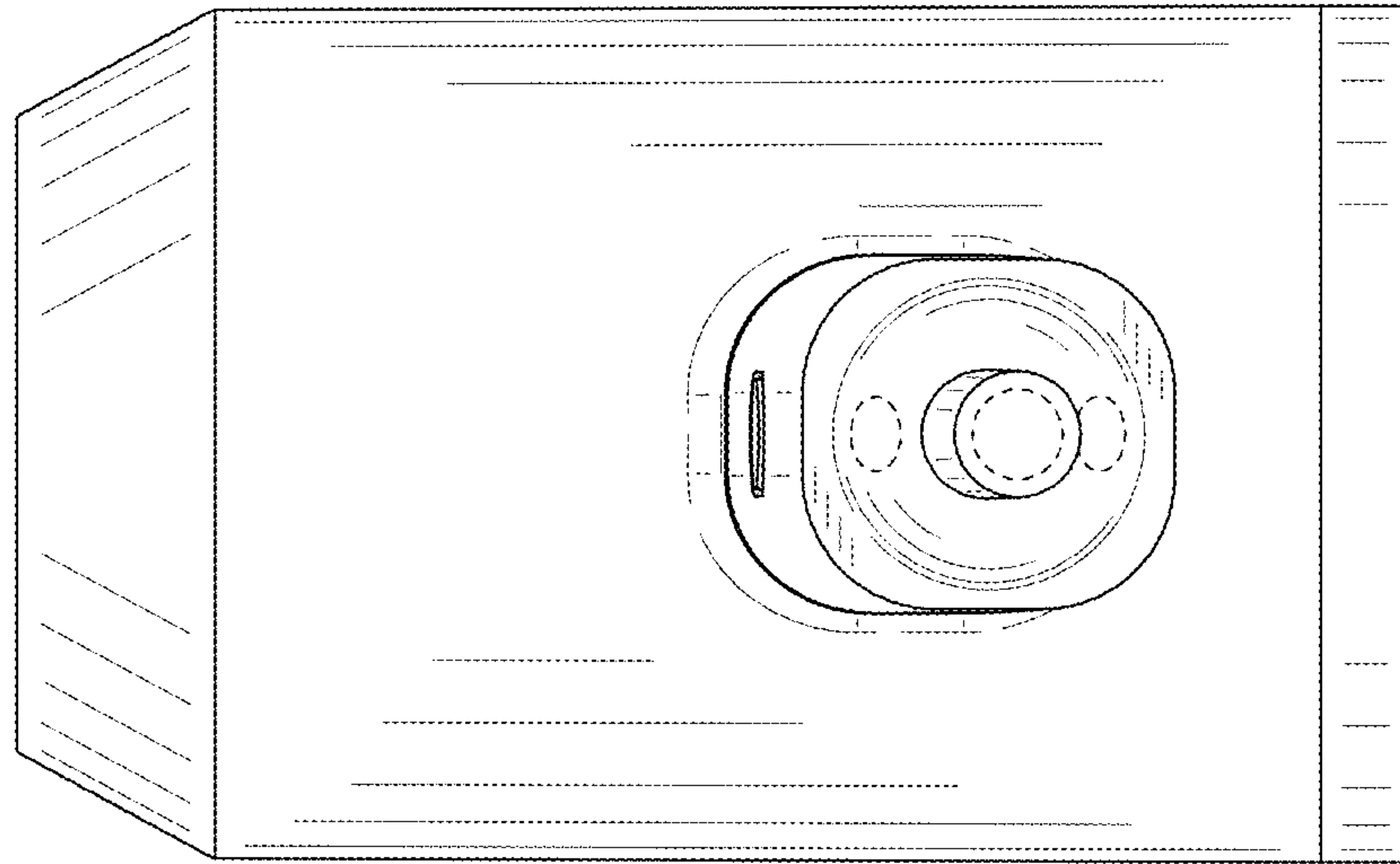


FIG. 8

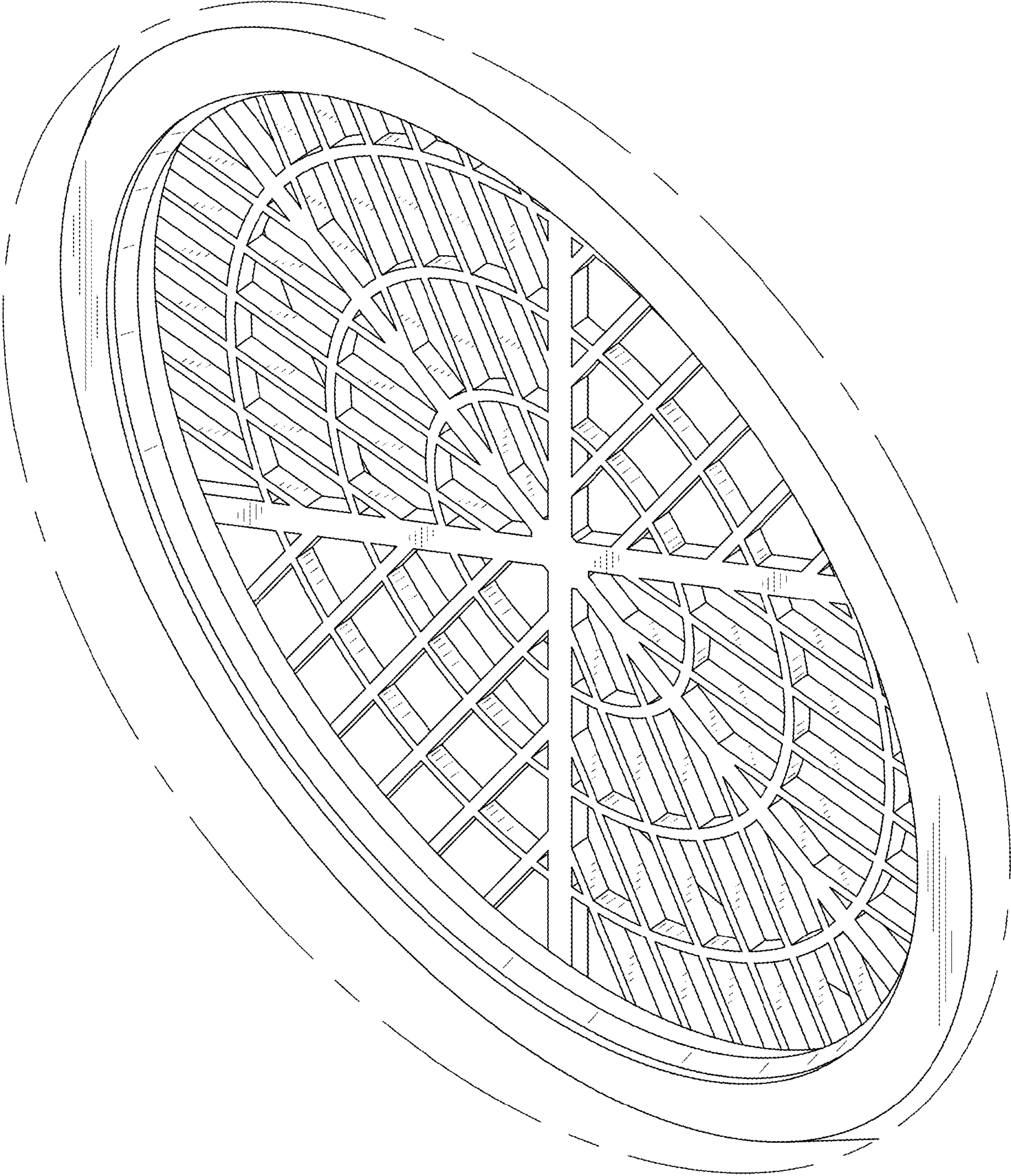


FIG. 9