



US00D982231S

(12) **United States Design Patent**  
**Hu**

(10) **Patent No.:** **US D982,231 S**

(45) **Date of Patent:** **\*\* Mar. 28, 2023**

(54) **EYEBROW STAMP**

(71) Applicant: **Chengdu Little Spark Cyber Tech Co., Ltd., Chengdu (CN)**

(72) Inventor: **Hong Hu, Ziyang (CN)**

(73) Assignee: **Chengdu Little Spark Cyber Tech Co., Ltd., Chengdu (CN)**

(\*\*) Term: **15 Years**

(21) Appl. No.: **29/882,112**

(22) Filed: **Jan. 11, 2023**

(51) **LOC (14) Cl.** ..... **28-03**

(52) **U.S. Cl.**  
USPC ..... **D28/7**

(58) **Field of Classification Search**  
USPC ..... D28/4, 7, 9, 20, 76, 85; D19/101, 162  
CPC . A45D 40/20; A45D 40/24; A45D 2200/1072  
See application file for complete search history.

(56) **References Cited**

**U.S. PATENT DOCUMENTS**

D324,806 S \* 3/1992 Van Arman ..... D9/697  
D377,978 S \* 2/1997 Haber ..... D24/119  
D437,556 S \* 2/2001 Holliday ..... D9/454  
D506,027 S \* 6/2005 Angeletta ..... D28/7

D543,658 S \* 5/2007 Angeletta ..... D28/7  
D705,986 S \* 5/2014 Pires ..... D28/7  
D741,068 S \* 10/2015 Frazier ..... D28/7  
10,750,840 B2 \* 8/2020 Lee ..... B65D 51/24  
D969,403 S 11/2022 Gao  
2001/0027796 A1 \* 10/2001 Bouix ..... A45D 40/0087  
132/318  
2021/0259393 A1 \* 8/2021 Thompson ..... A45D 34/04

\* cited by examiner

*Primary Examiner* — Zenia I Bennett

(57) **CLAIM**

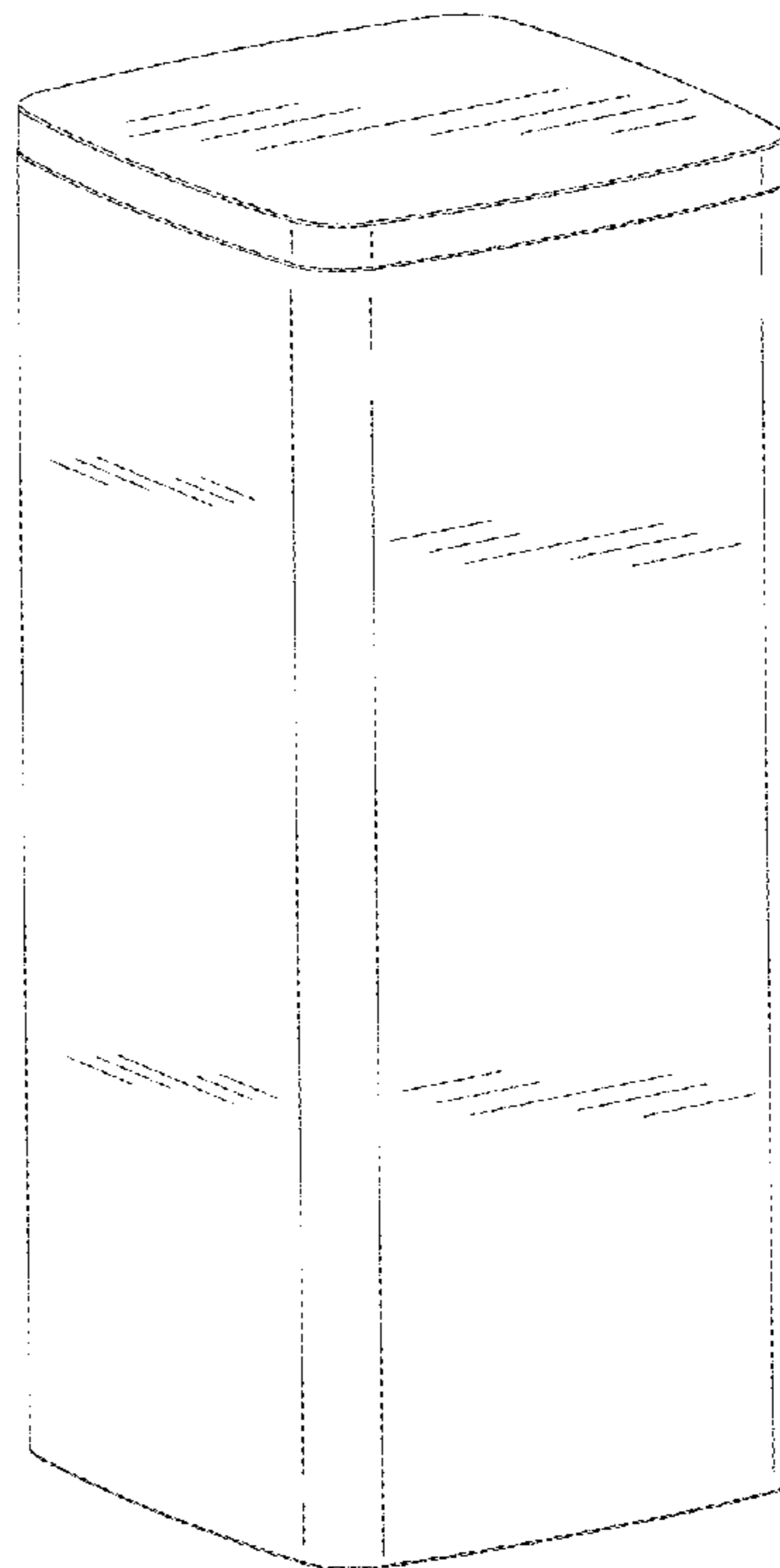
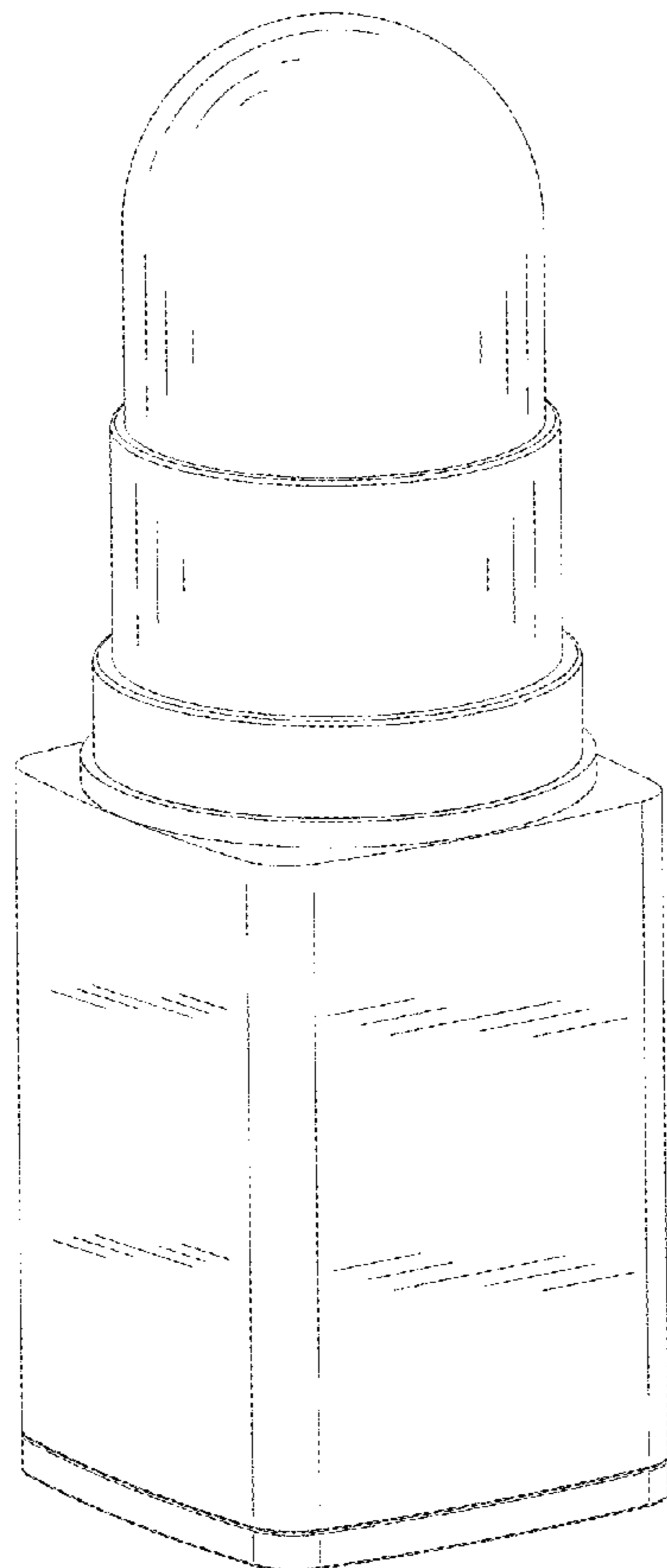
The ornamental design for an eyebrow stamp, as shown and described.

**DESCRIPTION**

FIG. 1 is a front perspective view of an eyebrow stamp, showing my new design;  
FIG. 2 is a rear perspective view thereof;  
FIG. 3 is a front view thereof;  
FIG. 4 is a rear view thereof;  
FIG. 5 is a left side view thereof;  
FIG. 6 is a right side view thereof;  
FIG. 7 is a top view thereof; and  
FIG. 8 is a bottom view thereof; and  
FIG. 9 is a combined state view thereof.

The broken lines in the drawings illustrate the portions of the eyebrow stamp, which form no part of the claimed design.

**1 Claim, 9 Drawing Sheets**



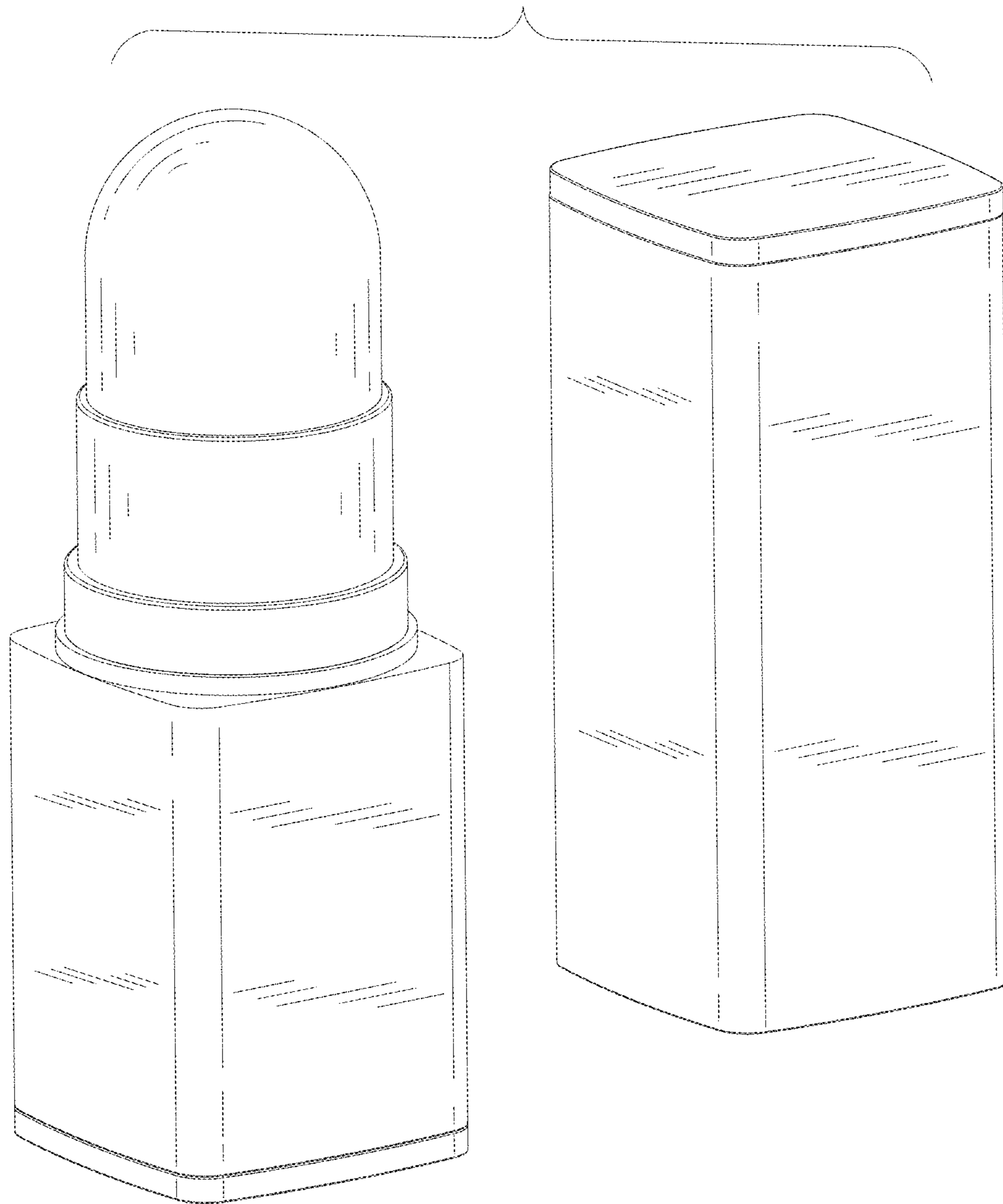


FIG. 1

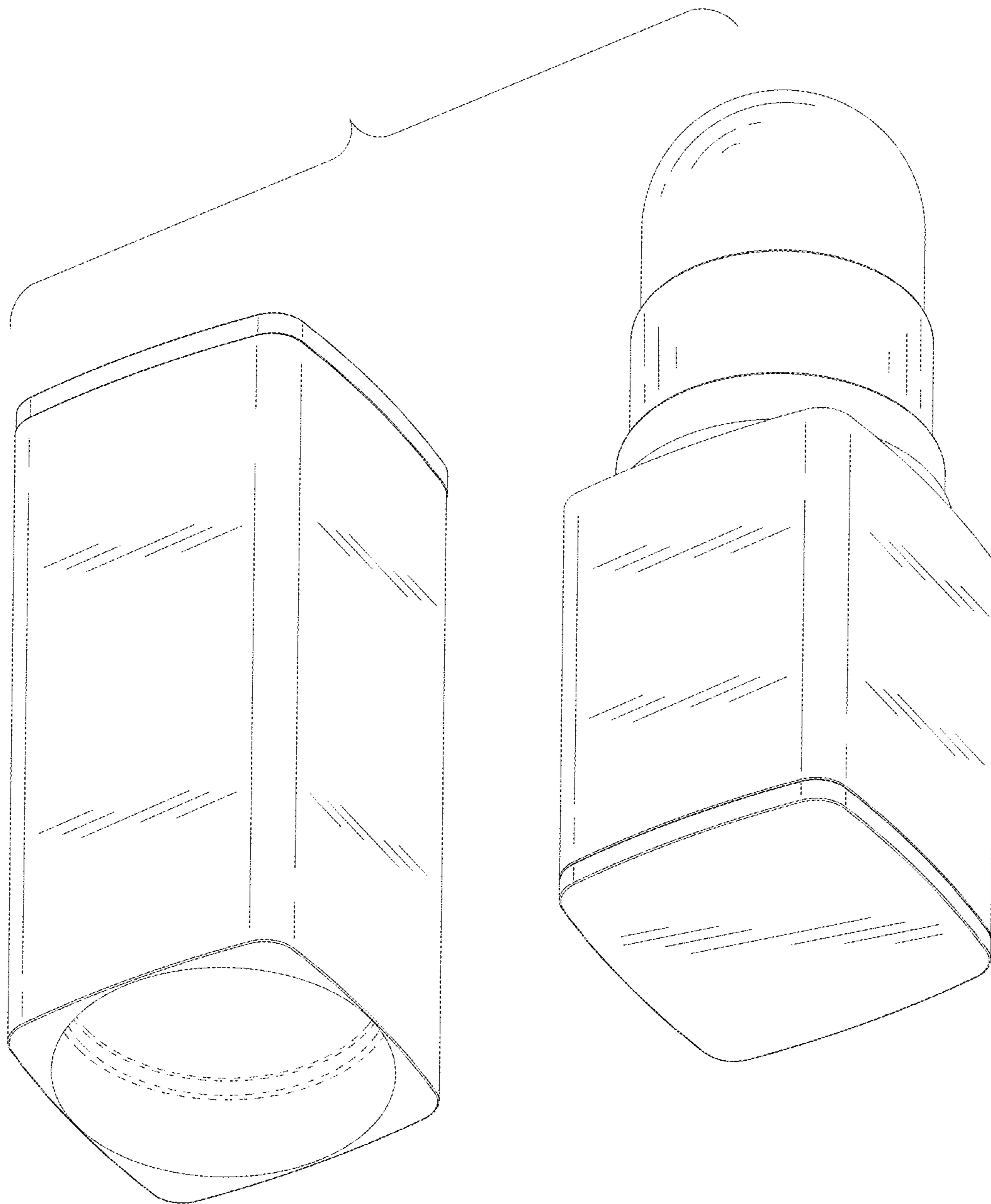


FIG. 2

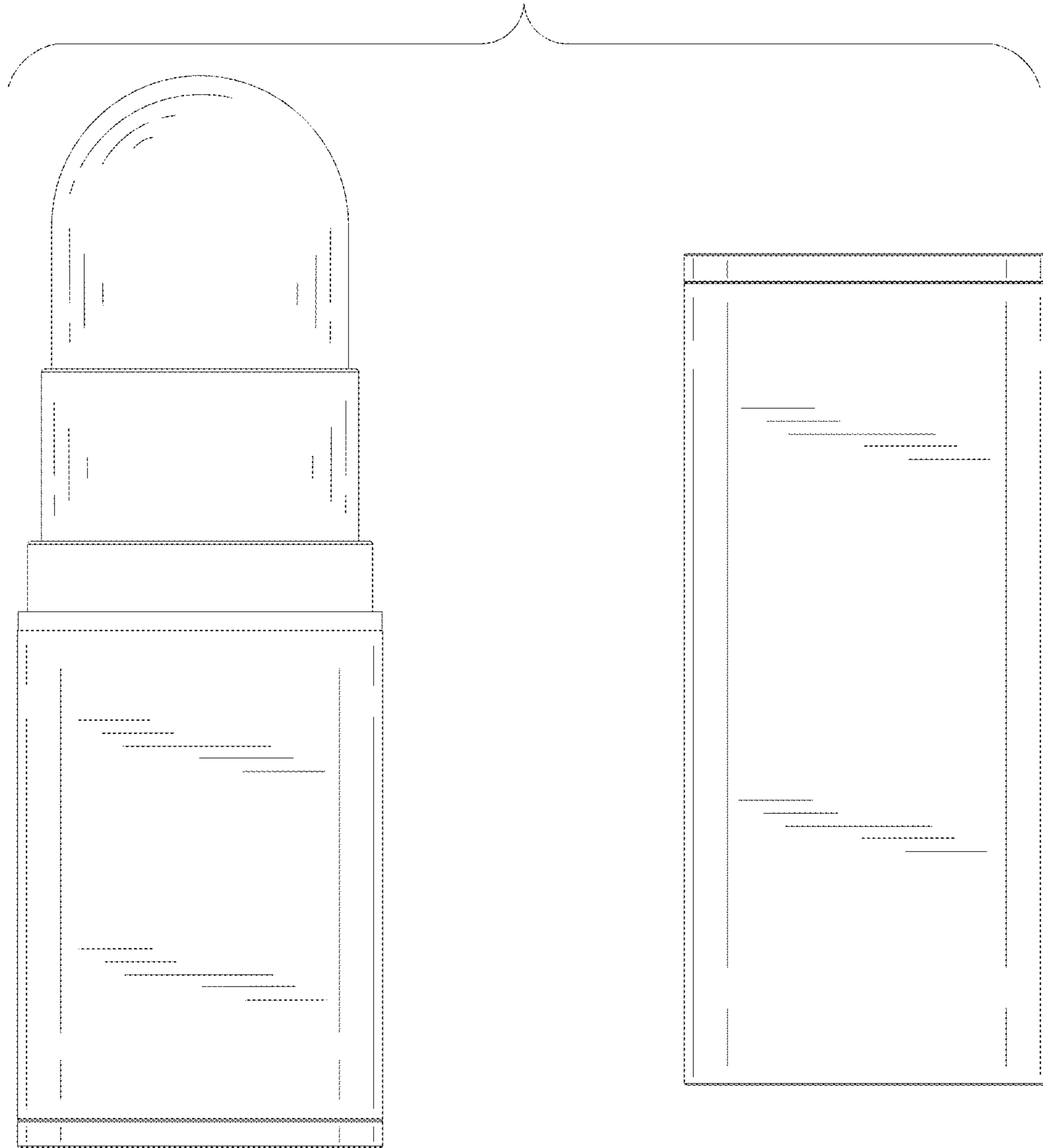


FIG. 3

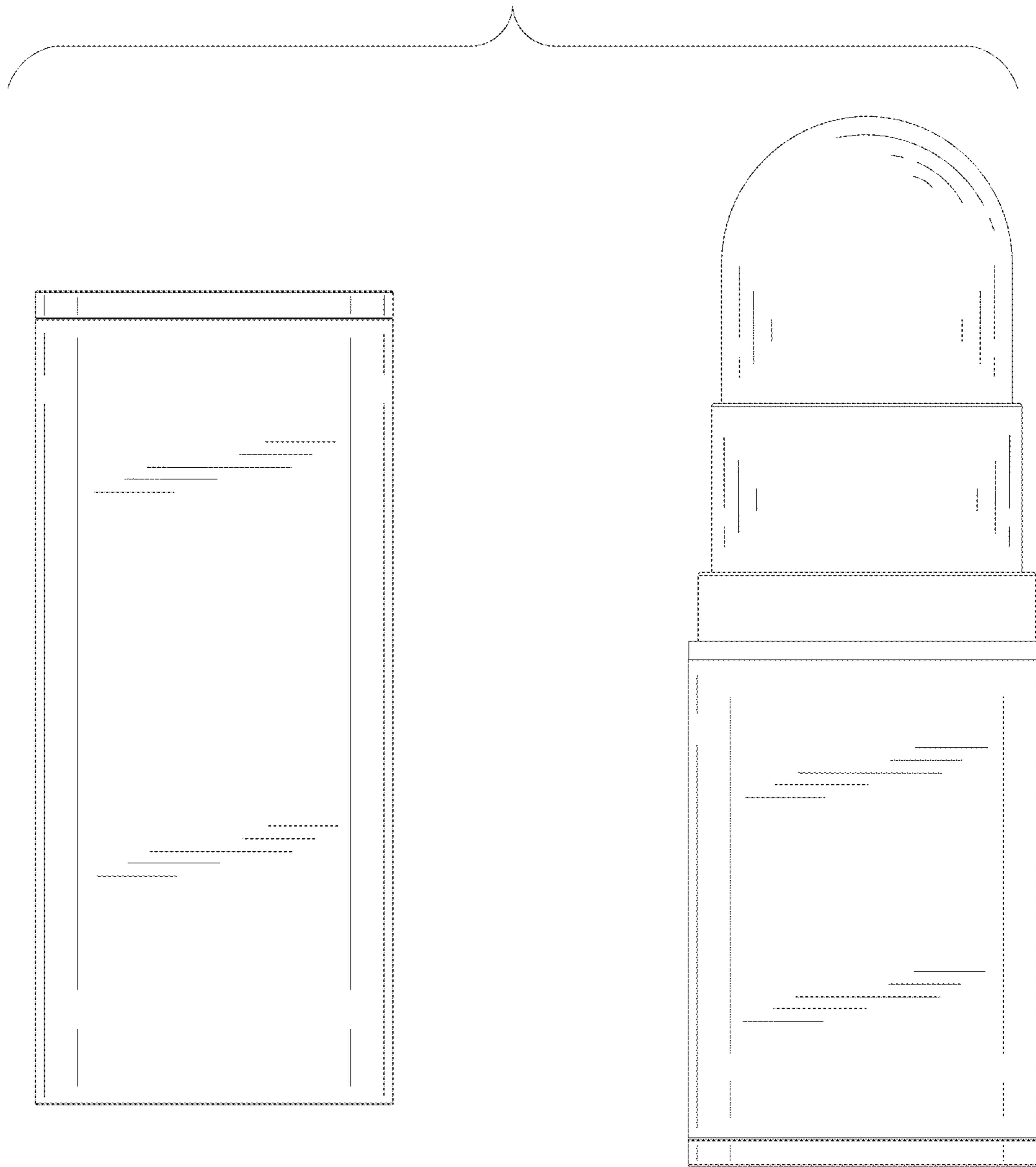


FIG. 4

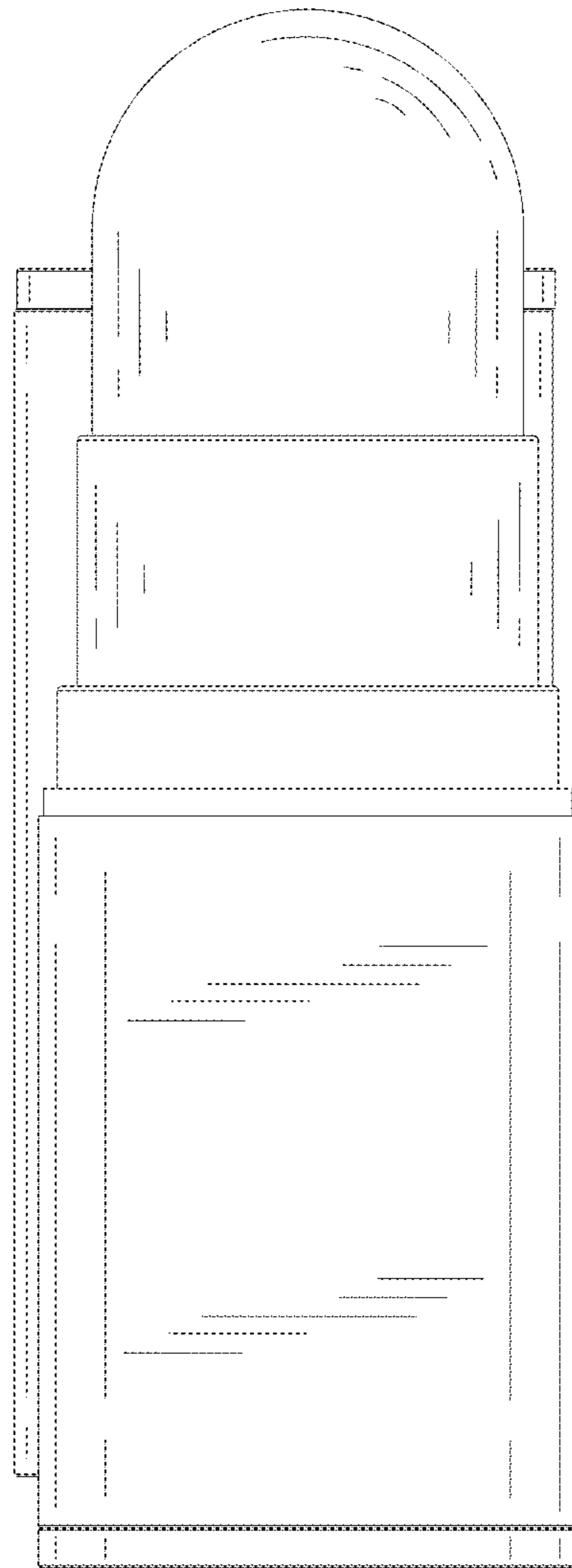


FIG. 5

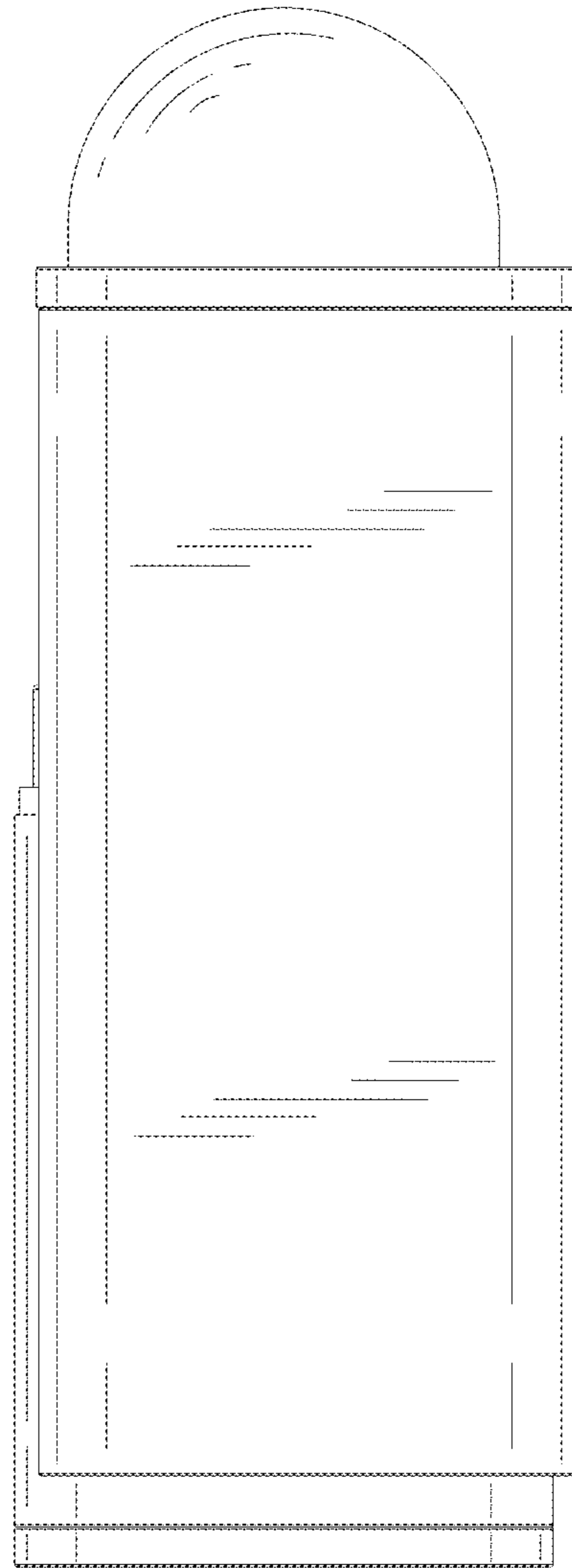


FIG. 6

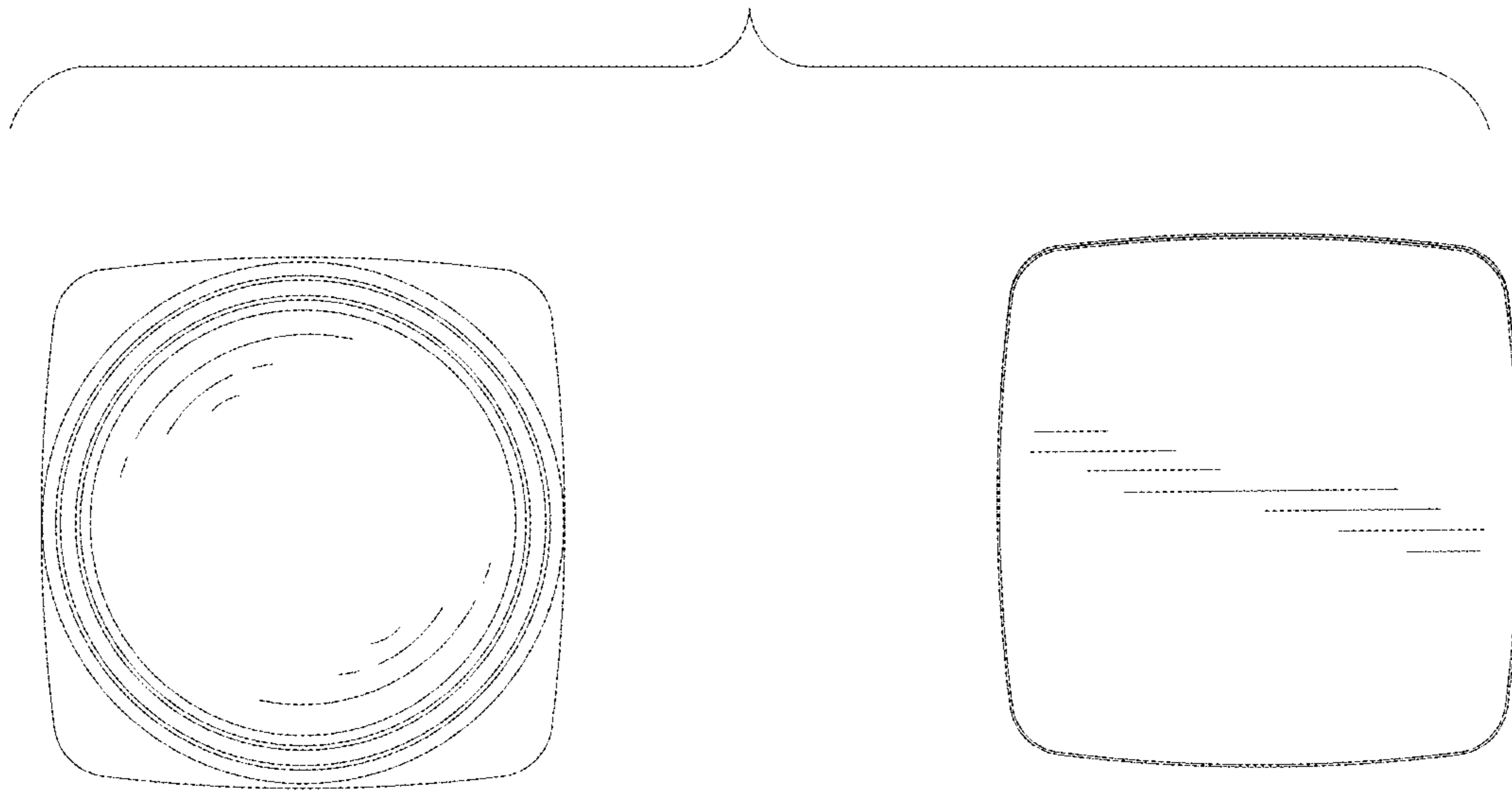


FIG. 7



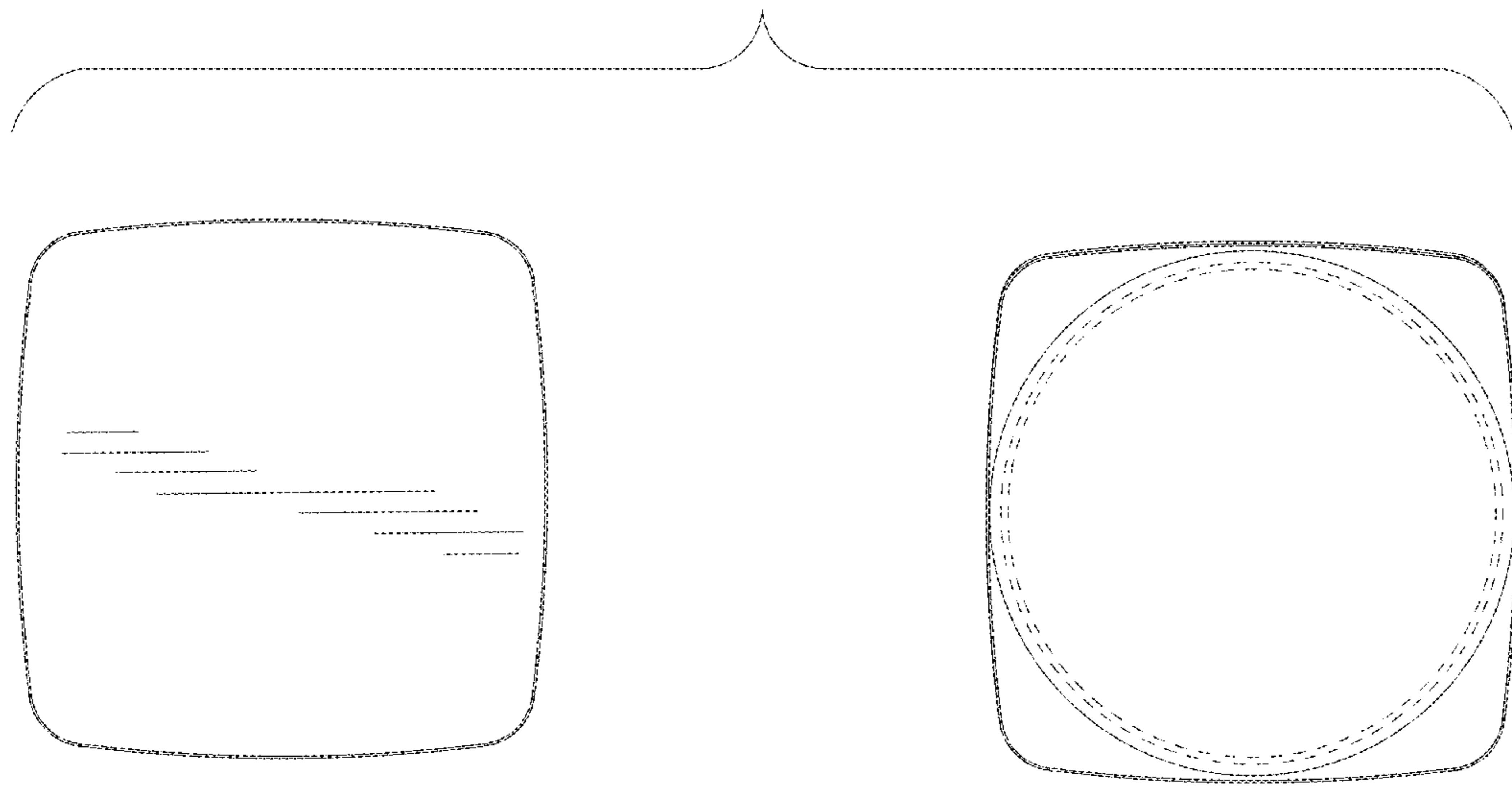


FIG. 8

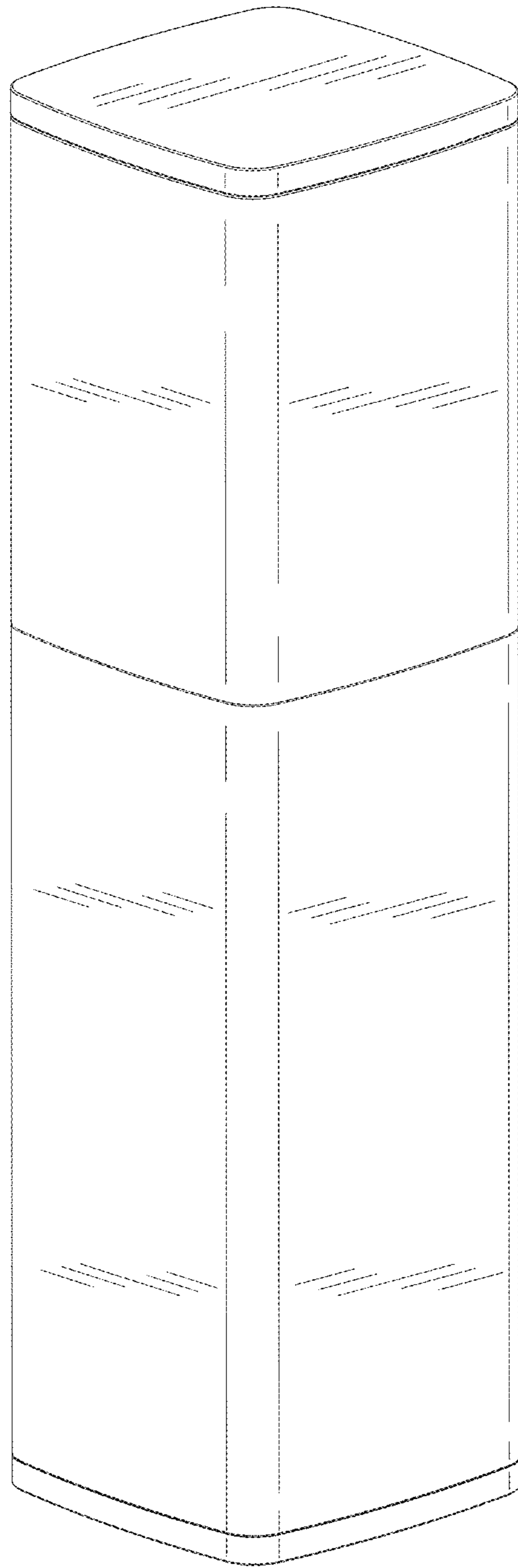


FIG. 9