



US00D982226S

(12) **United States Design Patent**
Filleul et al.

(10) **Patent No.:** **US D982,226 S**
(45) **Date of Patent:** **** Mar. 28, 2023**

(54) **BASE PART OF AN ELECTRONIC VAPING DEVICE**

(71) Applicant: **Altria Client Services LLC**,
Richmond, VA (US)
(72) Inventors: **Bayden Filleul**, Dublin (IE); **Michael Nolan**, Dublin (IE); **Florent Cuchet**,
Stockholm (SE)
(73) Assignee: **Altria Client Services LLC**,
Richmond, VA (US)

(**) Term: **15 Years**

(21) Appl. No.: **29/825,007**

(22) Filed: **Jan. 28, 2022**

Related U.S. Application Data

(62) Division of application No. 29/657,302, filed on Jul. 20, 2018, now Pat. No. Des. 943,806.

(30) **Foreign Application Priority Data**

Jan. 24, 2018 (EM) 004678688-0001
Jan. 24, 2018 (EM) 004678688-0002
(Continued)

(51) **LOC (14) Cl.** **27-03**

(52) **U.S. Cl.**
USPC **D27/127**

(58) **Field of Classification Search**
USPC D27/162, 100, 101, 163, 164, 165-172,
D27/174, 175, 176, 183, 185-194;
D24/110, 110.5; D23/366; D13/108
(Continued)

(56) **References Cited**

U.S. PATENT DOCUMENTS

D644,375 S ‡ 8/2011 Zhou D27/101
D658,807 S ‡ 5/2012 Aboushi D27/169
(Continued)

OTHER PUBLICATIONS

U.S. Notice of Allowance dated Jul. 21, 2021, issued in co-pending U.S. Appl. No. 29/730,913.‡
(Continued)

Primary Examiner — Rebecca Tsehaye
(74) *Attorney, Agent, or Firm* — Harness, Dickey & Pierce, P.L.C.

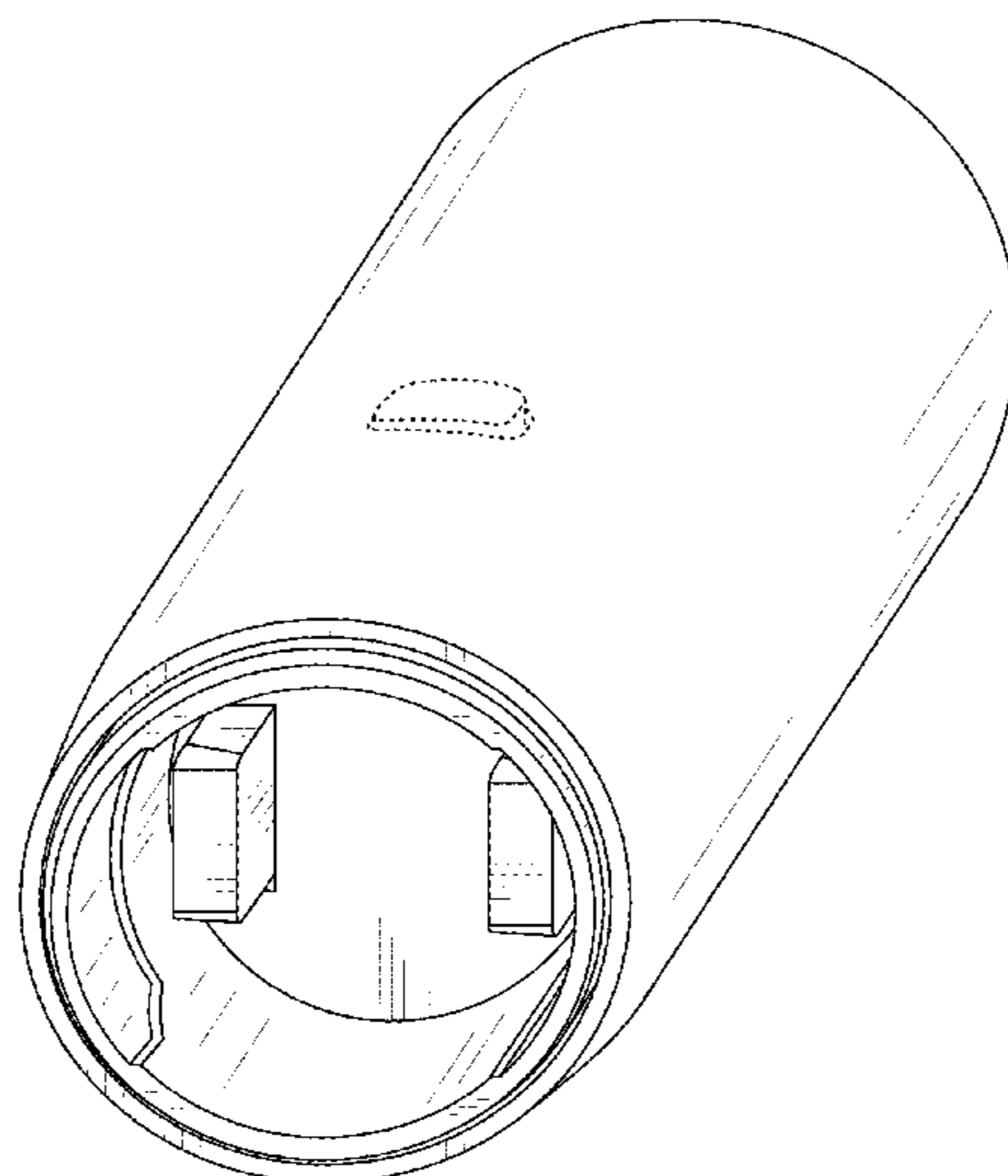
(57) **CLAIM**

The ornamental design for a base part for an electronic vaping device, as shown and described.

DESCRIPTION

FIG. 1 is a front-top perspective view of a base part for an electronic vaping device;
FIG. 2 is a front view of the base part for an electronic vaping device shown in FIG. 1;
FIG. 3 is a rear view of the base part for an electronic vaping device shown in FIG. 1;
FIG. 4 is a left side view of the base part for an electronic vaping device shown in FIG. 1;
FIG. 5 is a right side view of the base part for an electronic vaping device shown in FIG. 1;
FIG. 6 is a top view of the base part for an electronic vaping device shown in FIG. 1;
FIG. 7 is a bottom view of the base part for an electronic vaping device shown in FIG. 1; and,
FIG. 8 is a rear-bottom perspective view of the base part for an electronic vaping device shown in FIG. 1.
The evenly spaced broken lines in the drawings depict portions of the base part for an electronic vaping device that form no part of the claimed design.

1 Claim, 8 Drawing Sheets



(30) Foreign Application Priority Data

Jan. 24, 2018	(EM)	004678688-0003
Jan. 24, 2018	(EM)	004678688-0004
Jan. 24, 2018	(EM)	004678688-0005
Jan. 24, 2018	(EM)	004678688-0006
Jan. 24, 2018	(EM)	004678688-0007
Jan. 24, 2018	(EM)	004678688-0008
Jan. 24, 2018	(EM)	004678688-0009
Jan. 24, 2018	(EM)	004678688-0010
Jan. 24, 2018	(EM)	004678688-0011
Jan. 24, 2018	(EM)	004678688-0012

(58) Field of Classification Search

CPC A24F 47/002; A24F 47/006; A24F 47/008;
A61M 15/00; A61M 15/06
See application file for complete search history.

(56) References Cited

U.S. PATENT DOCUMENTS

D693,053	S ‡	11/2013	Chen	D27/101
D695,450	S ‡	12/2013	Benassayag	D27/101
D720,094	S ‡	12/2014	Alima	D27/101
D720,095	S ‡	12/2014	Alima	D27/101
D720,496	S ‡	12/2014	Alima	D27/101
D720,881	S ‡	1/2015	Liu	D27/101
D720,882	S ‡	1/2015	Albanese	D27/101
D723,216	S ‡	2/2015	Chen	D27/101
D761,998	S ‡	7/2016	Pinder	D27/101
D779,722	S ‡	2/2017	Volodarsky	D27/162
D782,728	S ‡	3/2017	Pinder	D27/101
D790,122	S ‡	6/2017	Hawes	D27/101
D799,745	S ‡	10/2017	Qiu	
D800,383	S ‡	10/2017	Verleur	D27/167
D802,839	S ‡	11/2017	Scott	D27/194
D805,246	S ‡	12/2017	Fakhouri	D27/101
D805,684	S ‡	12/2017	Thuery	D27/101
D809,190	S ‡	1/2018	Schuler	D27/101
D813,445	S ‡	3/2018	Scott	D27/101
D813,447	S ‡	3/2018	Watson	D27/162
D814,694	S ‡	4/2018	Watson	D27/194
D818,636	S ‡	5/2018	Qiu	D27/101
D818,638	S ‡	5/2018	Wright	D27/170
D822,271	S ‡	7/2018	Eksouzian	D27/101
D825,099	S ‡	8/2018	Wright	D27/101
D825,103	S ‡	8/2018	Wright	D27/194
D825,844	S ‡	8/2018	Verleur	D27/167
D829,369	S ‡	9/2018	Stone	D27/101
D829,370	S ‡	9/2018	Stone	D27/101
D829,974	S ‡	10/2018	Stone	D27/101
D829,976	S ‡	10/2018	Stone	D27/101
D829,977	S ‡	10/2018	Stone	D27/101
D829,978	S *	10/2018	Stone	D27/101
D847,419	S ‡	4/2019	Hawes	D27/194
D855,881	S ‡	8/2019	Hawes	D27/194
D862,793	S ‡	10/2019	Chang	D27/162
D866,061	S ‡	11/2019	Lalehzadeh	
D866,064	S ‡	11/2019	Powell	D27/170
D868,360	S ‡	11/2019	Stone	D27/101

D868,363	S ‡	11/2019	Stone	D27/101
D868,364	S ‡	11/2019	Stone	D27/101
D869,747	S ‡	12/2019	Stone	D27/101
D871,662	S ‡	12/2019	Volodarsky	D27/101
D871,665	S ‡	12/2019	Choe	D27/162
D876,719	S ‡	2/2020	Vermette	D27/162
D877,409	S ‡	3/2020	Jiang	D27/162
D878,671	S ‡	3/2020	Stone	D27/101
D882,165	S ‡	4/2020	Ouyang	D27/162
D883,566	S ‡	5/2020	Filleul	D27/162
D889,034	S ‡	6/2020	Stewart	D27/162
D894,478	S ‡	8/2020	Fornarelli	D27/162
D901,068	S *	11/2020	Stone	D27/101
D901,069	S *	11/2020	Stone	D27/101
D901,757	S *	11/2020	Stone	D27/101
D901,758	S *	11/2020	Stone	D27/101
D905,331	S *	12/2020	Stone	D27/170
D907,285	S *	1/2021	Stone	D27/101
D907,843	S *	1/2021	Stone	D27/101
D913,580	S ‡	3/2021	Barenboym	D27/170
D920,570	S ‡	5/2021	Laidlaw	D27/162
D921,969	S ‡	6/2021	Simrell	D27/162
D937,478	S ‡	11/2021	Filleul et al.	
D940,386	S *	1/2022	Campitelli	D27/162
D943,143	S *	2/2022	Zuber	D27/162
D943,806	S *	2/2022	Filleul	D27/162
D945,058	S ‡	3/2022	Rosen et al.	
D946,205	S *	3/2022	Rochon	D27/183
D948,111	S ‡	4/2022	Benhalima	
D953,614	S ‡	5/2022	Fornarelli	
2019/0166919	A1	6/2019	Yilmaz	
2019/0201639	A1	7/2019	Lutz et al.	

OTHER PUBLICATIONS

U.S. Office Action dated Jul. 9, 2021, issued in co-pending U.S. Appl. No. 29/657,300. ‡
U.S. Office Action dated Apr. 1, 2021, issued in corresponding U.S. Appl. No. 29/657,300. ‡
U.S. Office Action dated Nov. 13, 2020, issued in corresponding U.S. Appl. No. 29/657,302.
U.S. Office Action dated Jun. 4, 2021, issued in corresponding U.S. Appl. No. 29/657,302.
U.S. Notice of Allowance dated Oct. 14, 2021, issued in co-pending U.S. Appl. No. 29/657,302.
Office Action for corresponding U.S. Appl. No. 29/657,303 dated Oct. 4, 2019.
Notice of Allowance dated Jan. 8, 2020, issued in corresponding U.S. Appl. No. 29/657,300.
Office Action dated Mar. 1, 2022 issued in corresponding U.S. Appl. No. 29/657,300.
Office Action dated Jun. 16, 2022, issued in corresponding U.S. Appl. No. 29/816,585.
Notice of Allowance dated Jun. 23, 2022 issued in corresponding U.S. Appl. No. 29/657,300.
Notice of Allowance dated Sep. 27, 2022 issued in corresponding U.S. Appl. No. 29/816,585.

* cited by examiner

‡ imported from a related application

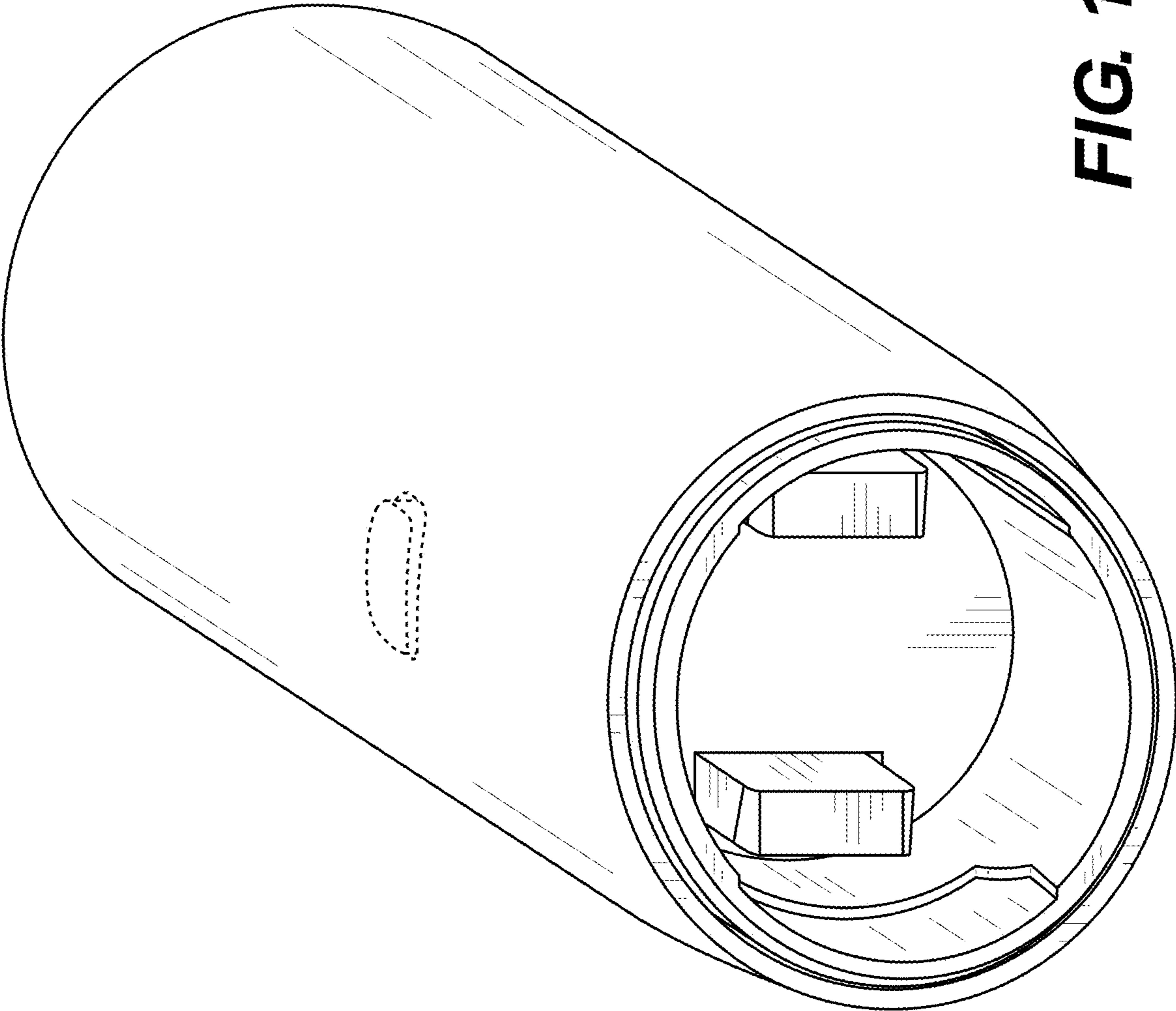


FIG. 1

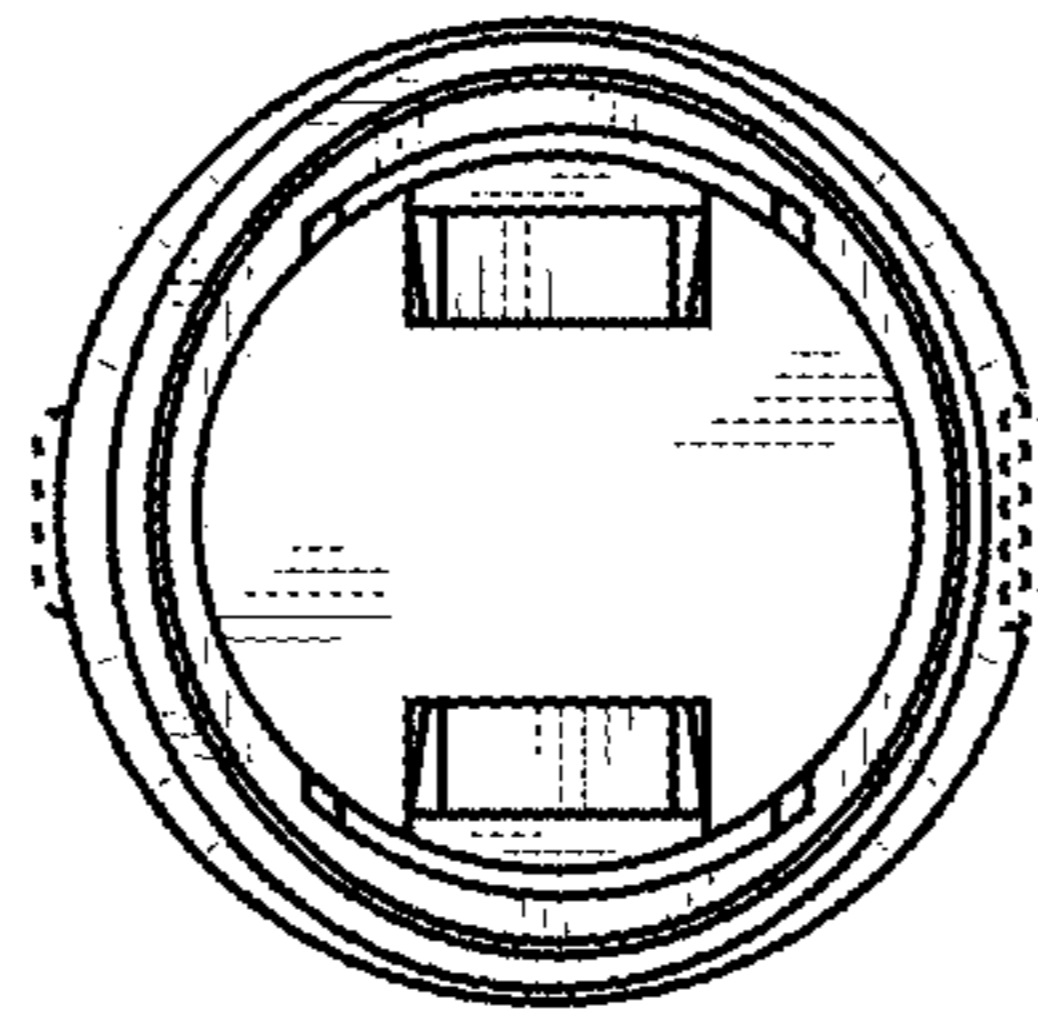


FIG. 2

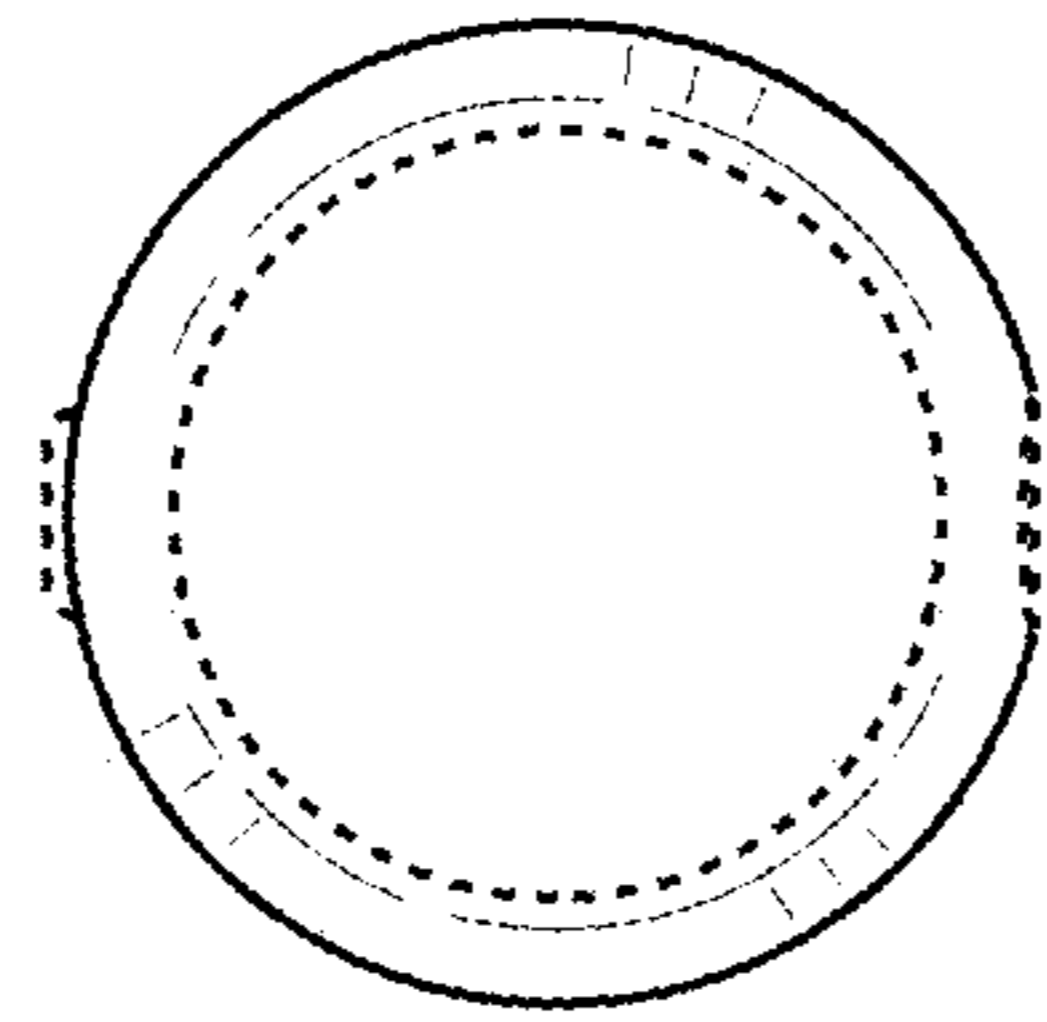


FIG. 3

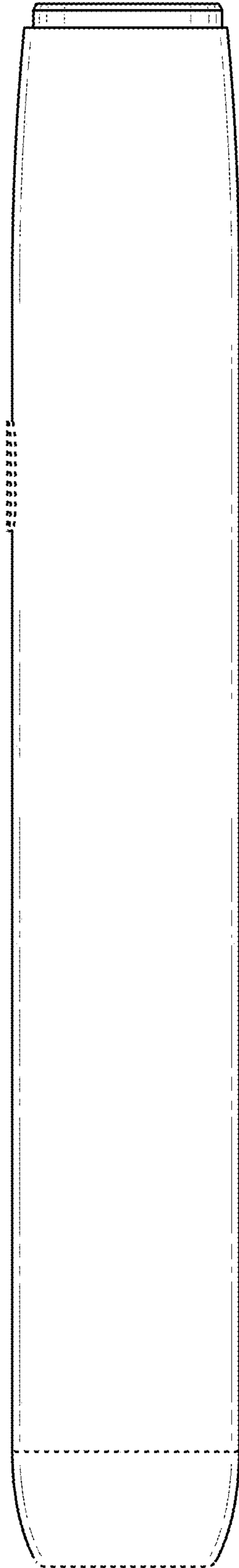


FIG. 4

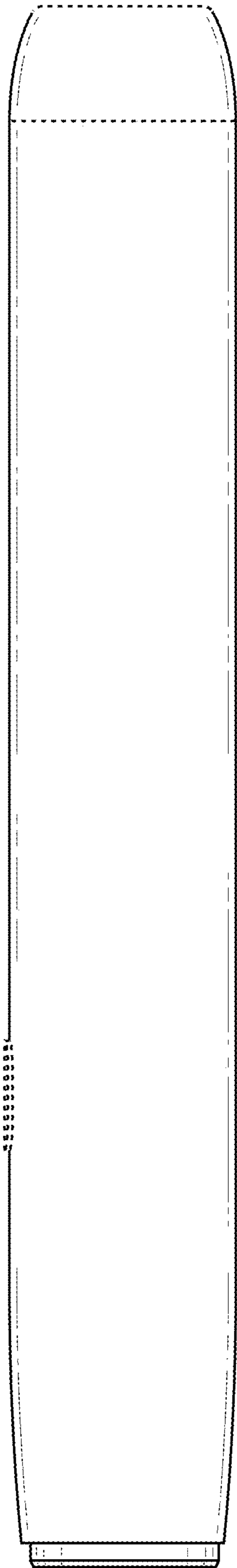


FIG. 5

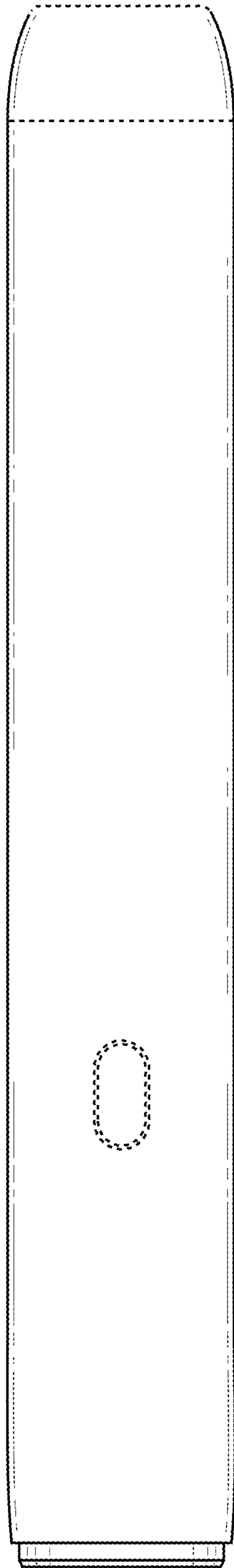


FIG. 6

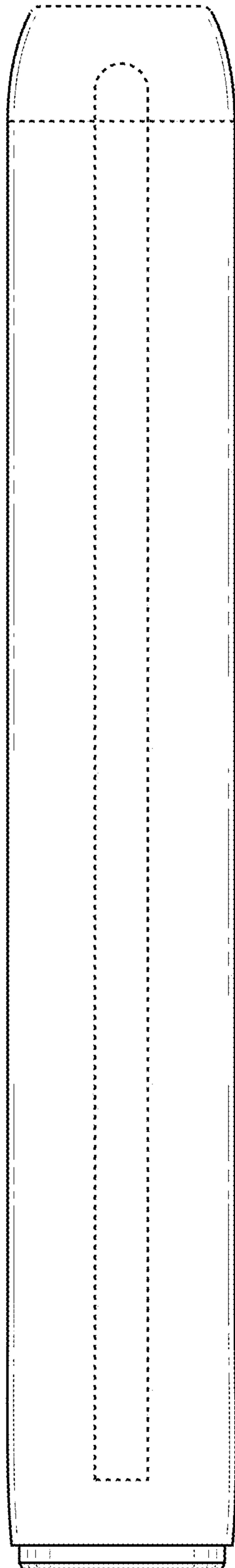


FIG. 7

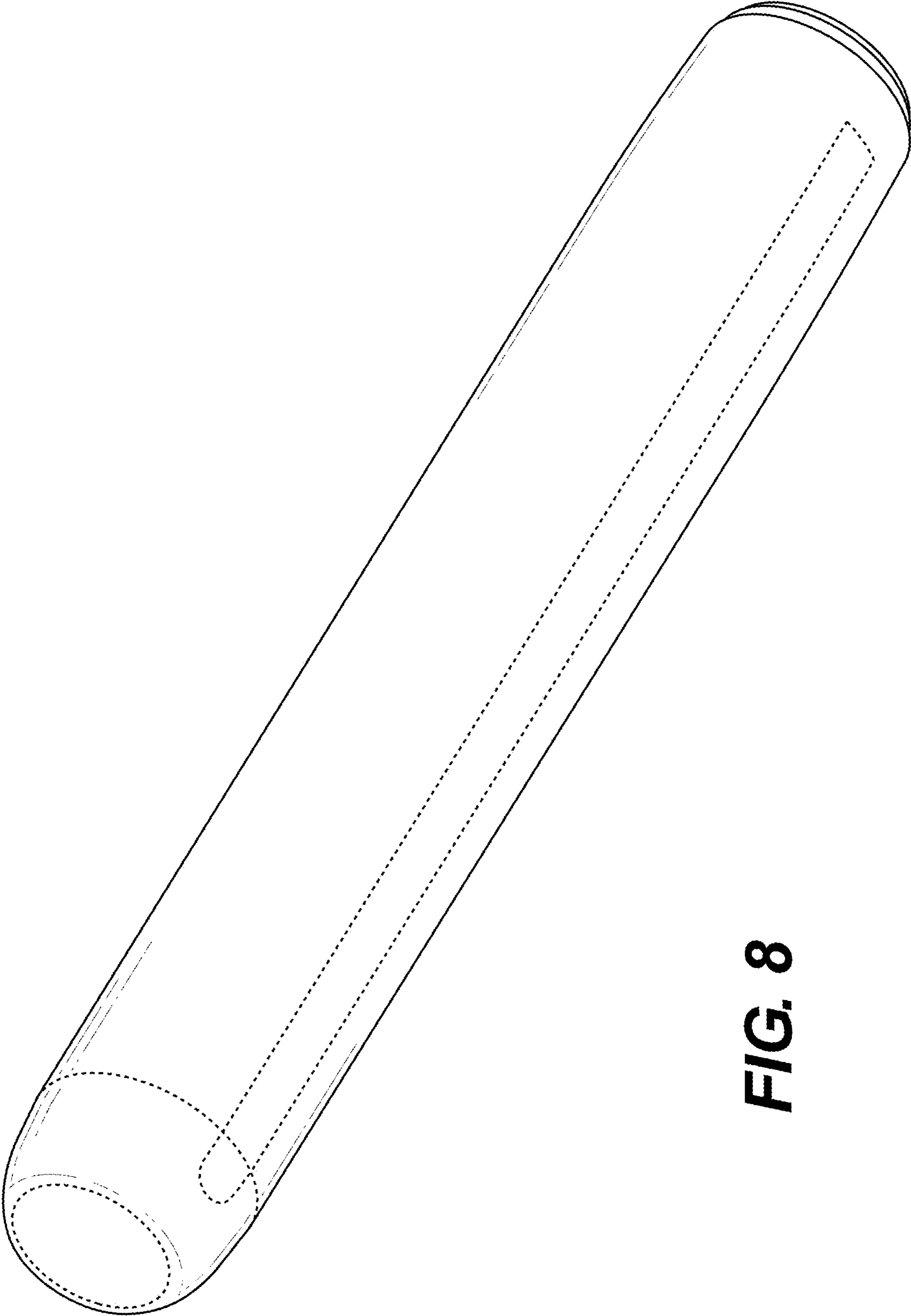


FIG. 8