



US00D982225S

(12) **United States Design Patent**  
**Wu**

(10) **Patent No.:** **US D982,225 S**  
(45) **Date of Patent:** **\*\* Mar. 28, 2023**

(54) **LAMPSHADE**  
(71) Applicant: **Chuanlei Wu**, Hainan (CN)  
(72) Inventor: **Chuanlei Wu**, Hainan (CN)  
(\*\*) Term: **15 Years**

D611,649 S \* 3/2010 Chen ..... D26/128  
D619,754 S \* 7/2010 Lai ..... D26/124  
D684,298 S \* 6/2013 Liang ..... D26/118  
D787,110 S 5/2017 Hood et al.  
D792,016 S 7/2017 de Bevilacqua et al.  
D800,944 S \* 10/2017 Sonneman ..... D26/88  
D922,668 S 6/2021 Zhu  
D952,935 S \* 5/2022 Zhang ..... D26/128

(21) Appl. No.: **29/840,852**  
(22) Filed: **Jun. 1, 2022**  
(51) **LOC (14) Cl.** ..... **26-05**  
(52) **U.S. Cl.**  
USPC ..... **D26/128**  
(58) **Field of Classification Search**  
USPC ..... D26/24, 60–65, 72–92, 118–120,  
D26/123–124, 128, 134, 138  
CPC ... F21V 1/00; F21V 1/16; F21V 1/143; F21V  
1/12; F21V 3/02; F21V 17/002; F21V  
17/06; F21V 1/04; F21V 1/22; F21V  
1/14; F21V 17/04; F21V 17/164; F21V  
1/20; F21V 3/00  
See application file for complete search history.

**FOREIGN PATENT DOCUMENTS**

CN 307341247 \* 5/2022  
CN 307379755 \* 5/2022  
CN 307455286 \* 7/2022

\* cited by examiner

*Primary Examiner* — Marissa J Cash  
*Assistant Examiner* — William B Melliar

(57) **CLAIM**

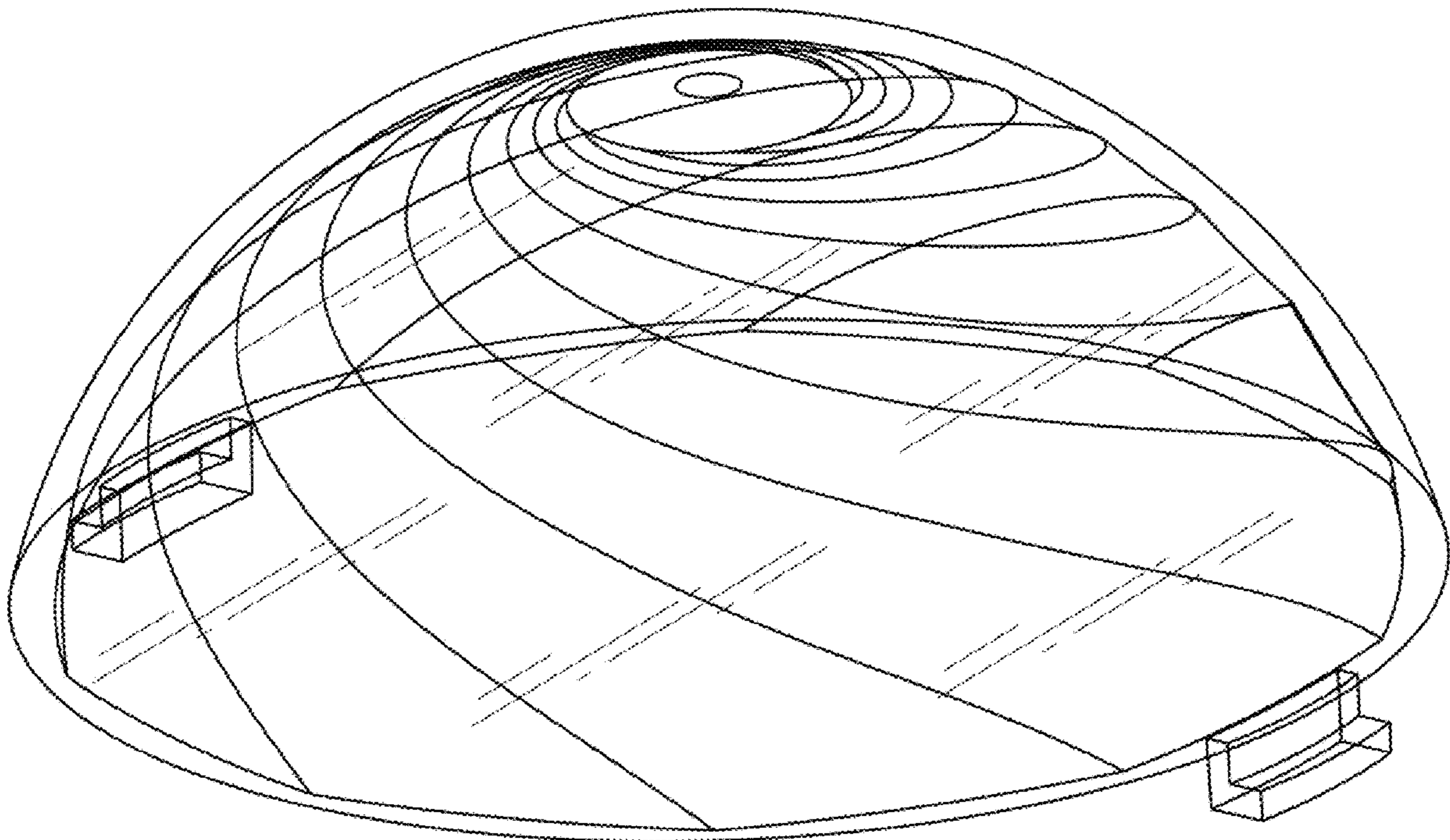
The ornamental design for a lampshade, as shown and described.

**DESCRIPTION**

FIG. 1 is a perspective view of a lampshade design showing my new design.  
FIG. 2 is a front view of a lampshade.  
FIG. 3 is a rear view of a lampshade.  
FIG. 4 is a left side view of a lampshade.  
FIG. 5 is a right side view of a lampshade.  
FIG. 6 is a top view of a lampshade; and,  
FIG. 7 is a bottom view of a lampshade.

**1 Claim, 7 Drawing Sheets**

(56) **References Cited**  
**U.S. PATENT DOCUMENTS**  
D369,228 S \* 4/1996 Miranda ..... D26/134  
D376,028 S \* 11/1996 McDowell ..... D26/134  
D406,917 S 3/1999 Chen  
D467,031 S \* 12/2002 Hsu ..... D26/134  
D576,340 S \* 9/2008 Wanders ..... D26/88  
D607,144 S 12/2009 Chen



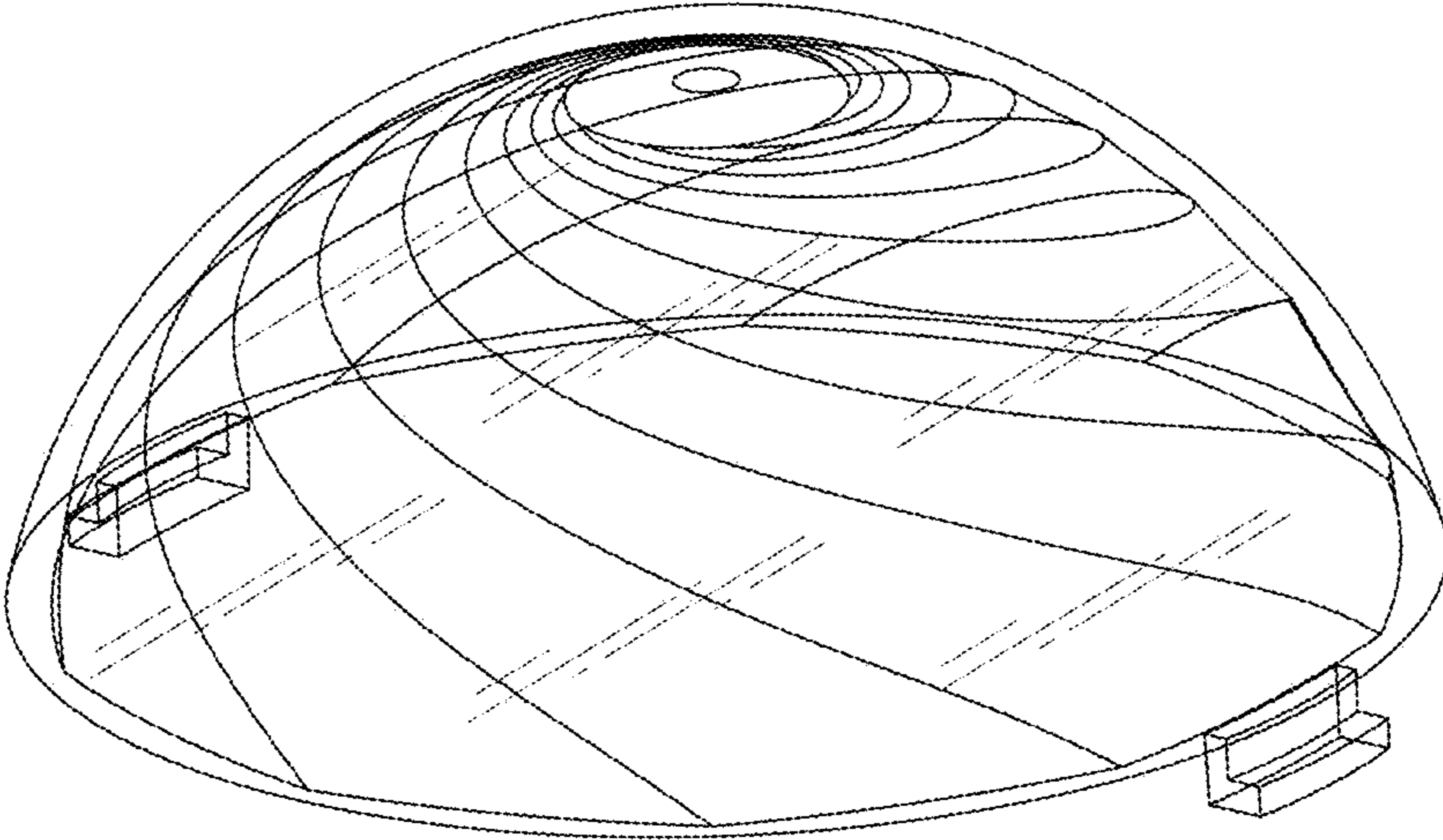


FIG. 1

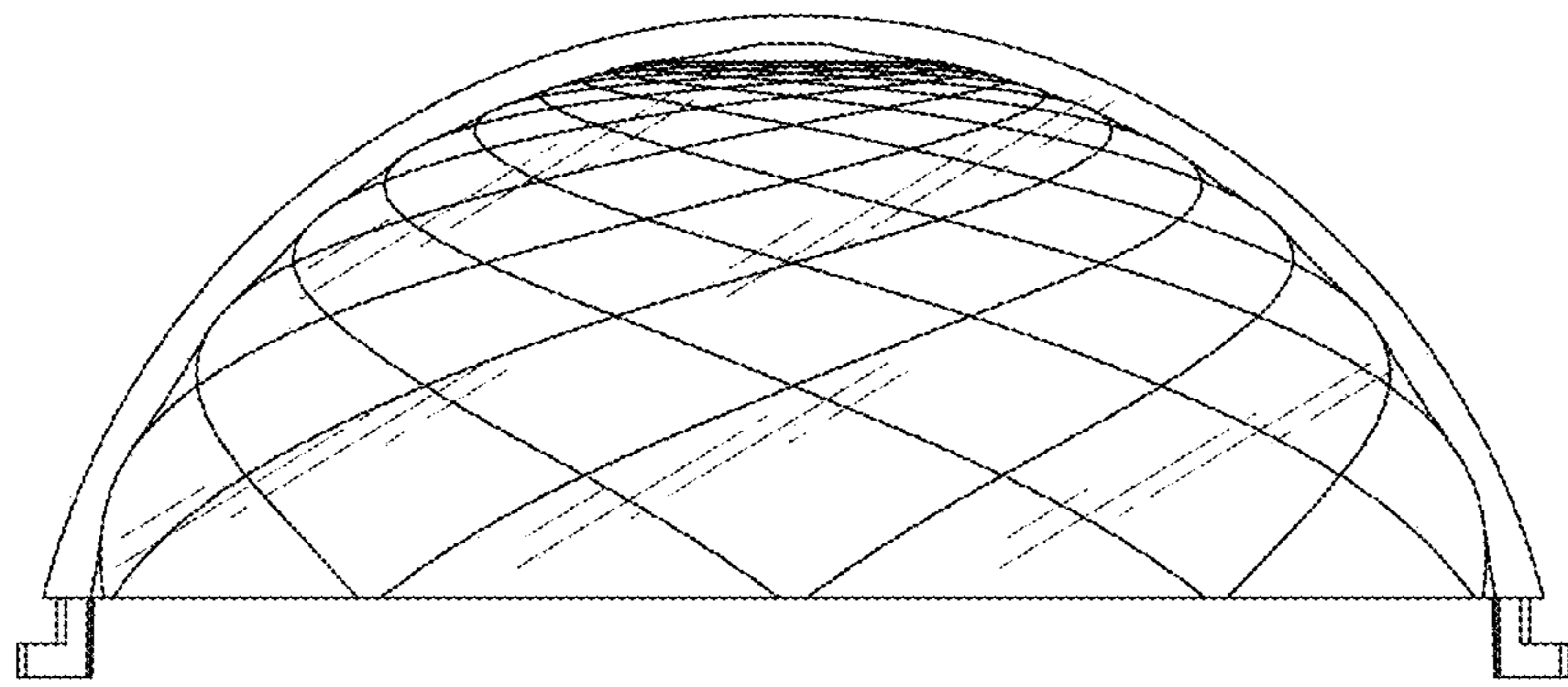


FIG. 2

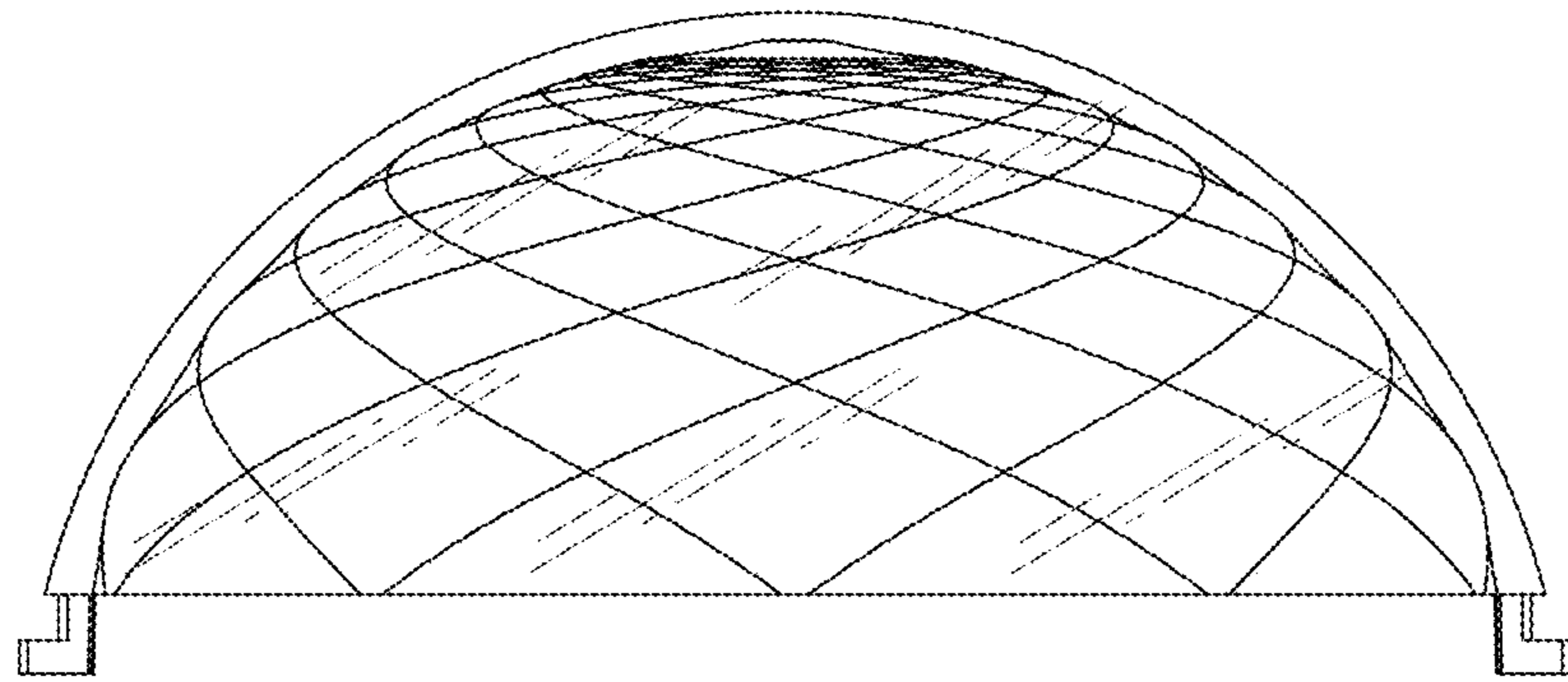


FIG. 3

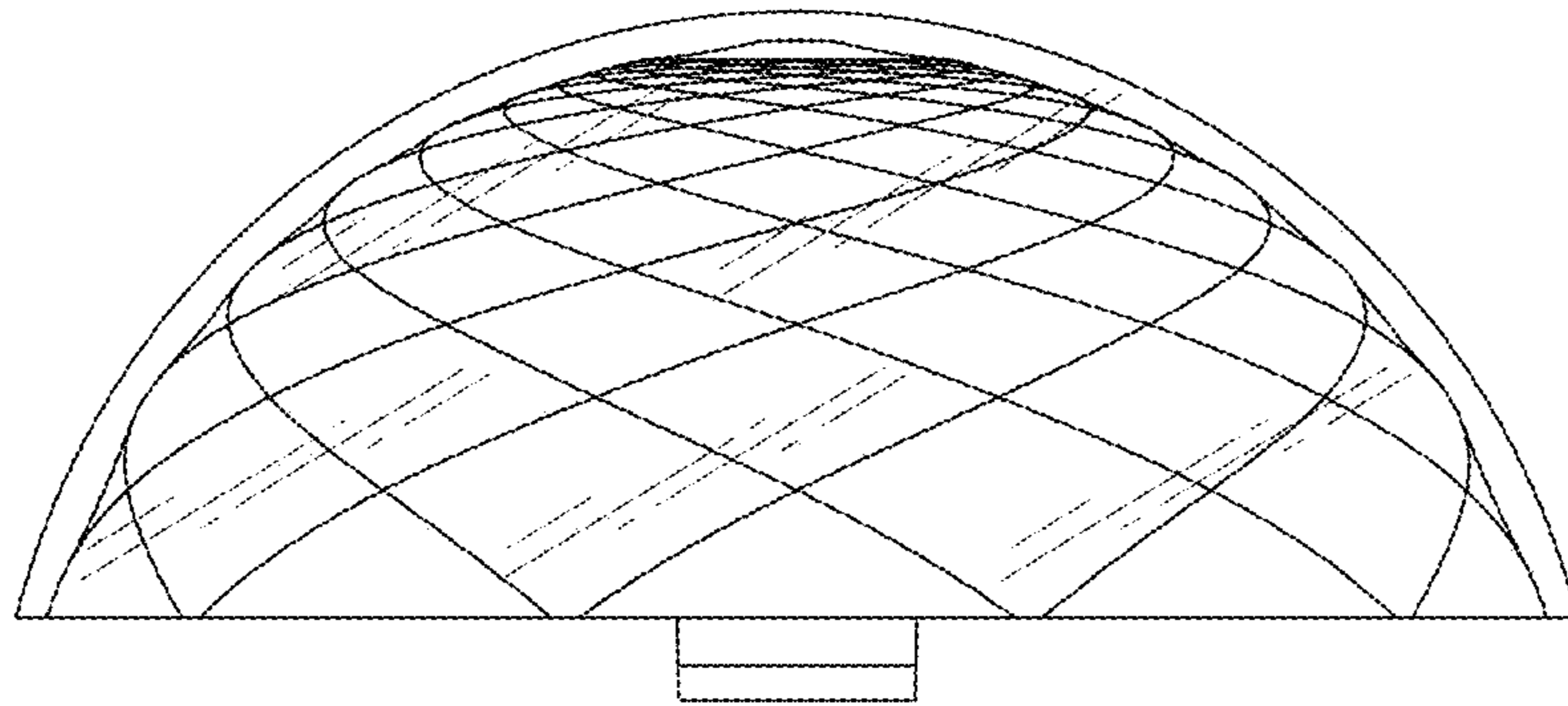


FIG. 4

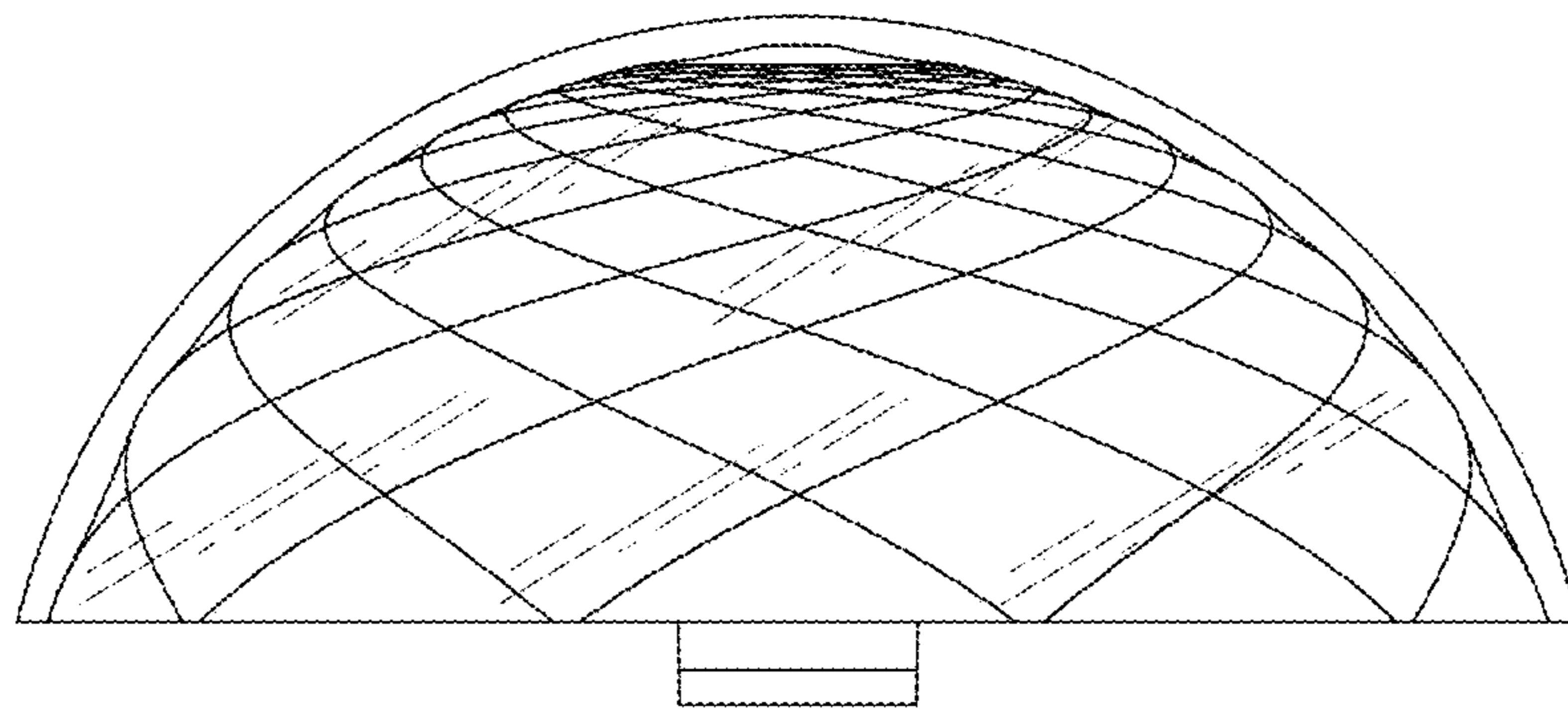


FIG. 5

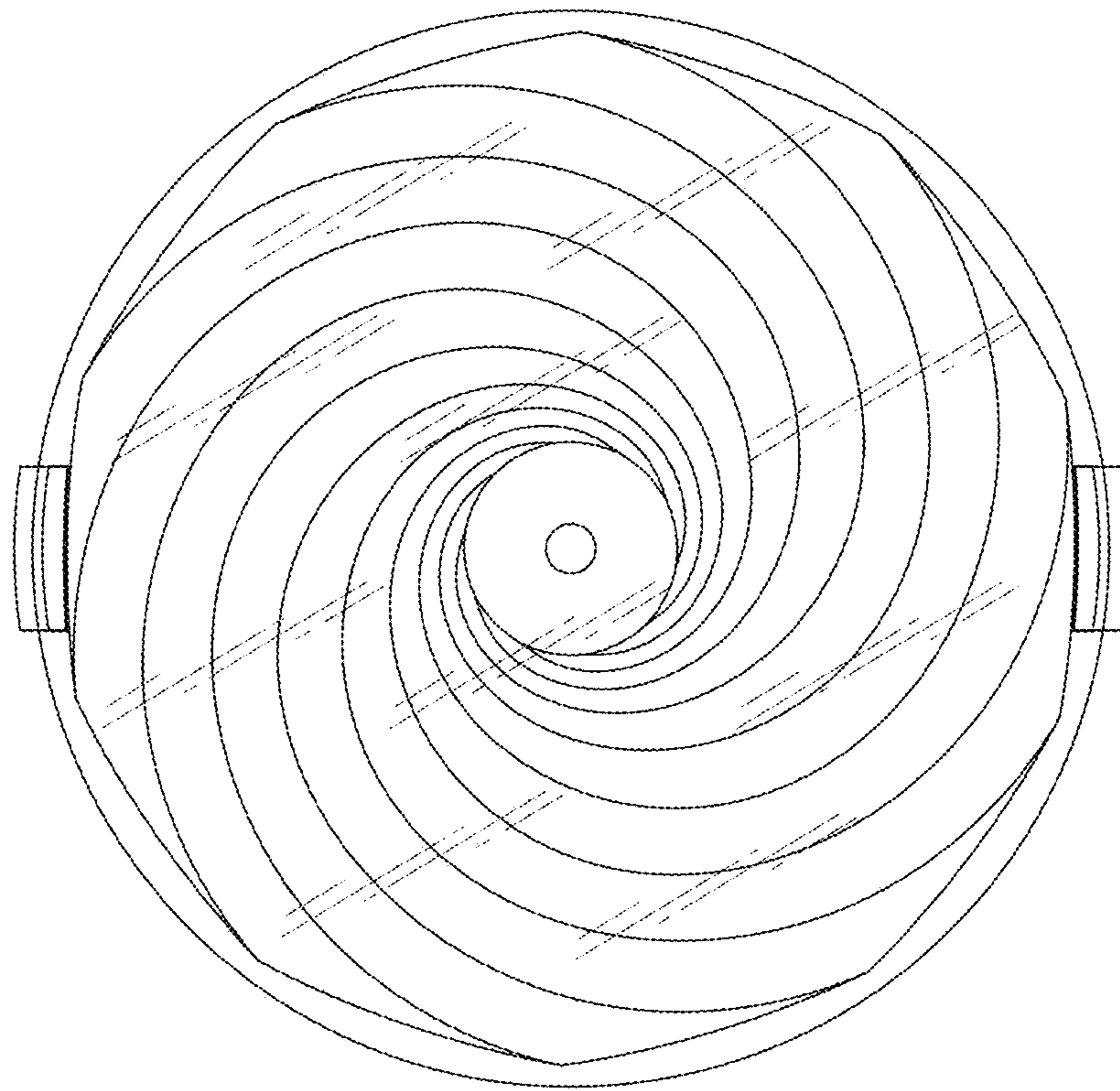


FIG. 6

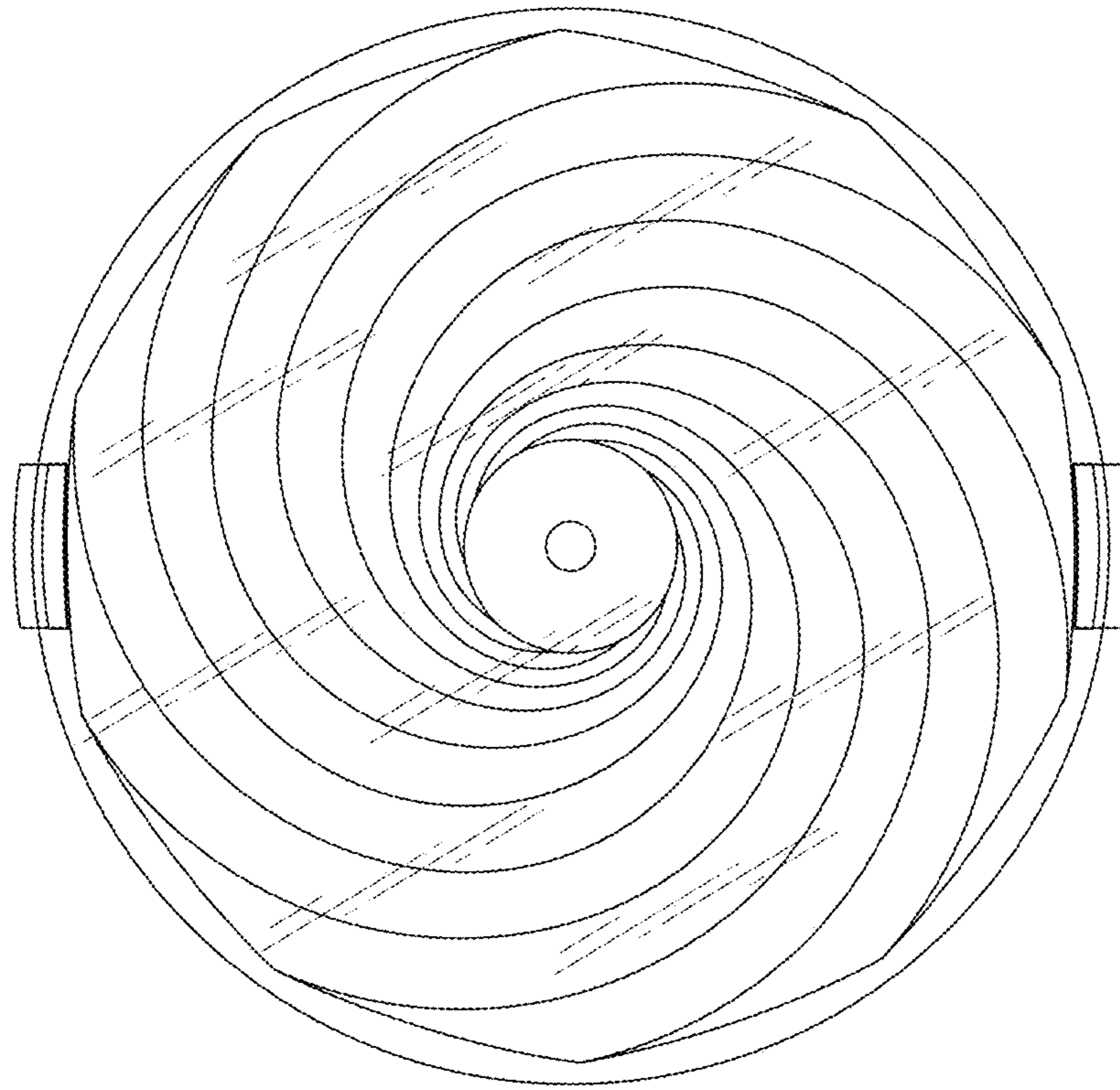


FIG. 7