



US00D982224S

(12) **United States Design Patent** (10) **Patent No.:** **US D982,224 S**
Mayfield, III et al. (45) **Date of Patent:** **** Mar. 28, 2023**

(54) **PLANAR OPTICAL PANEL FOR A LIGHT FIXTURE**

FOREIGN PATENT DOCUMENTS

(71) Applicant: **ABL IP Holding LLC**, Atlanta, GA (US)

JP 2007003852 1/2007
KR 100986782 10/2010

(Continued)

(72) Inventors: **John T. Mayfield, III**, Covington, GA (US); **Doyle Scott Butler**, Atlanta, GA (US); **Craig Eugene Marquardt**, Covington, GA (US)

OTHER PUBLICATIONS

Cooper Lighting Solutions, Perceive, Available Online at <https://www.cooperlighting.com/global/brands/metalux/1087954/perceive>, Accessed from Internet on: Jun. 29, 2021, 5 pages.

(Continued)

(73) Assignee: **ABL IP HOLDING LLC**, Atlanta, GA (US)

Primary Examiner — Richard Kearney

Assistant Examiner — Christina M. Dodson

(**) Term: **15 Years**

(74) *Attorney, Agent, or Firm* — Kilpatrick Townsend & Stockton LLP

(21) Appl. No.: **29/775,828**

(57) **CLAIM**

(22) Filed: **Mar. 25, 2021**

The ornamental design for a planar optical panel for a light fixture, as shown and described.

(51) **LOC (14) Cl.** **26-05**

(52) **U.S. Cl.**

USPC **D26/120**; D26/122

(58) **Field of Classification Search**

USPC D10/114.4; D13/133, 139.2, 152, 155; D14/126, 127, 134, 371, 373, 435-438; D25/119, 121, 123, 125; D26/1, 2, 24, D26/27, 72, 74-78, 80-83, 85-86, 88-90, D26/113, 118, 120-122, 138, 141

CPC F21S 8/00; F21S 8/03; F21S 8/031; F21S 8/036; F21S 8/04; F21S 8/043; F21S 8/046; F21S 8/06; F21S 8/063; F21V 3/049; F21V

(Continued)

DESCRIPTION

FIG. 1 is a bottom isometric view of a planar optical panel for a light fixture.

FIG. 2 is another bottom isometric view of the planar optical panel of FIG. 1.

FIG. 3 is a bottom view of the planar optical panel of FIG. 1.

FIG. 4 is a cross-section view of the planar optical panel of FIG. 1, taken along line 4-4 in FIG. 3; and,

FIG. 5 is another cross-section view of the planar optical panel of FIG. 1, taken along line 5-5 in FIG. 3.

The cross-section views of the optical panel designs illustrate that, while the optical panel has an appearance of a three dimensional design when viewed from below, the optical panel is planar in appearance when viewed from the side.

The dot-dot-dash lines showing a light fixture is for the purpose of illustrating environmental structure and form no

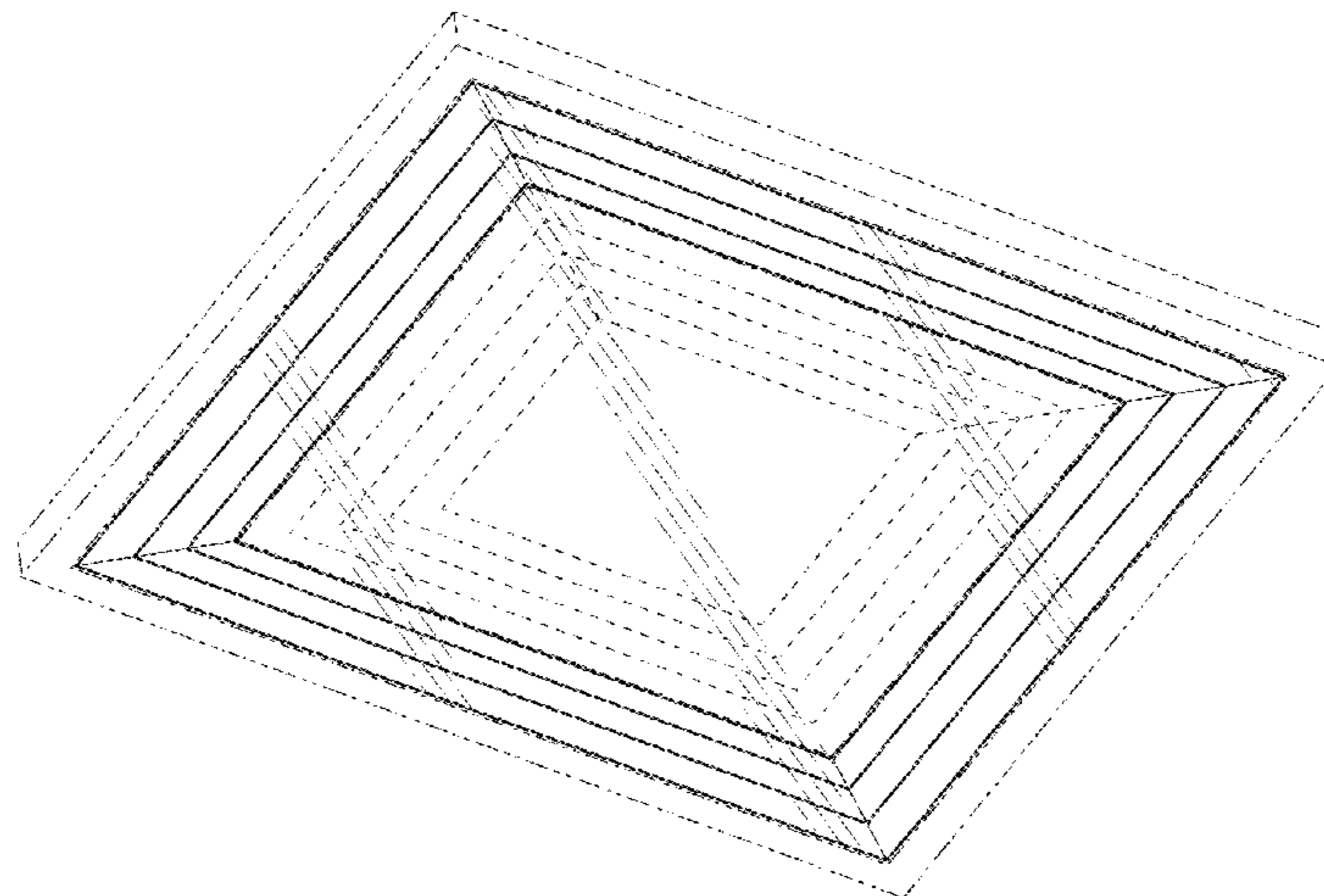
(Continued)

(56) **References Cited**

U.S. PATENT DOCUMENTS

D177,568 S * 5/1956 Hills D26/122
D668,371 S * 10/2012 Alpaslan D26/75

(Continued)



part of the claimed design. The dashed lines showing portions of the planar optical panel form no part of the claimed design.

1 Claim, 4 Drawing Sheets

(58) Field of Classification Search

CPC 7/00; F21V 7/0016; F21V 7/0041; F21V 7/005; F21V 7/0083; F21V 23/001

See application file for complete search history.

(56) References Cited

U.S. PATENT DOCUMENTS

D784,593	S *	4/2017	Ambrozus	D26/74
D819,860	S *	6/2018	Clark	D26/76
D827,917	S *	9/2018	Botti	D26/138
D835,333	S *	12/2018	Silver	D26/113
10,838,195	B2 *	11/2020	Kasahara	G02B 5/0833
D929,031	S *	8/2021	Sieczkowski	D26/138
2010/0195314	A1	8/2010	Shinkai et al.		
2011/0051457	A1 *	3/2011	Chen	F21S 8/04 362/606
2013/0027971	A1 *	1/2013	Huang	F21V 3/049 362/607
2019/0293262	A1 *	9/2019	Yin	F21V 17/04
2020/0116571	A1 *	4/2020	Kasamori	G01J 5/023
2020/0196391	A1 *	6/2020	Park	B60J 1/00

FOREIGN PATENT DOCUMENTS

KR	20110001524	1/2011
WO	2012059931	5/2012

OTHER PUBLICATIONS

Metalux Perceive 14PD 1'x4' Recessed LED Specification Series Spec Sheet, Cooper Lighting Solutions, Available Online at <https://www.cooperlighting.com/api/assets/v1/file/Signify/content/a9f3830c282d48a891c6ad4100861333/metalux-perceive-led-1x4-specsheet.PDF>, Accessed from Internet on: Jun. 29, 2021, pp. 1-7.

Metalux Perceive 22PD 2'x2' Recessed LED Specification Series Spec Sheet, Cooper Lighting Solutions, Available Online at <https://www.cooperlighting.com/api/assets/v1/file/Signify/content/5b4e880bf6b34a208ecdad4100861665/metalux-perceive-led-2x2-specsheet.PDF>, Accessed from Internet on: Jun. 29, 2021, pp. 1-7.

Metalux Perceive 24PD 2'x4' Recessed LED Specification Series Spec Sheet, Cooper Lighting Solutions, Available Online at <https://www.cooperlighting.com/api/assets/v1/file/Signify/content/96dfb78a251648eb8f9fad41008619fc/metalux-perceive-led-2x4-specsheet.PDF>, Accessed from Internet on: Jun. 29, 2021, pp. 1-7.

Metalux Perceive PD Product Configurator, Cooper Lighting Solutions, Available Online at <https://www.config.cooperlighting.com/Container/Lighting.aspx?ConfigurationUID=b93a538c-7ff0-4ef4-bf48-6592669353a7>, Accessed from Internet on: Jun. 29, 2021, 2 pages.

U.S. Appl. No. 16/879,545, Title—Micro-Structured Optical Sheet and Panel Light Assembly Using Same, filed May 20, 2020, 53 pages.

U.S. Appl. No. 16/985,752, Title—Systems and Methods for Stabilizing Optical Sheets in Luminaires, filed Aug. 5, 2020, 34 pages.

International Application No. PCT/US2020/033862, International Search Report and Written Opinion, dated Aug. 26, 2020, 9 pages.

* cited by examiner

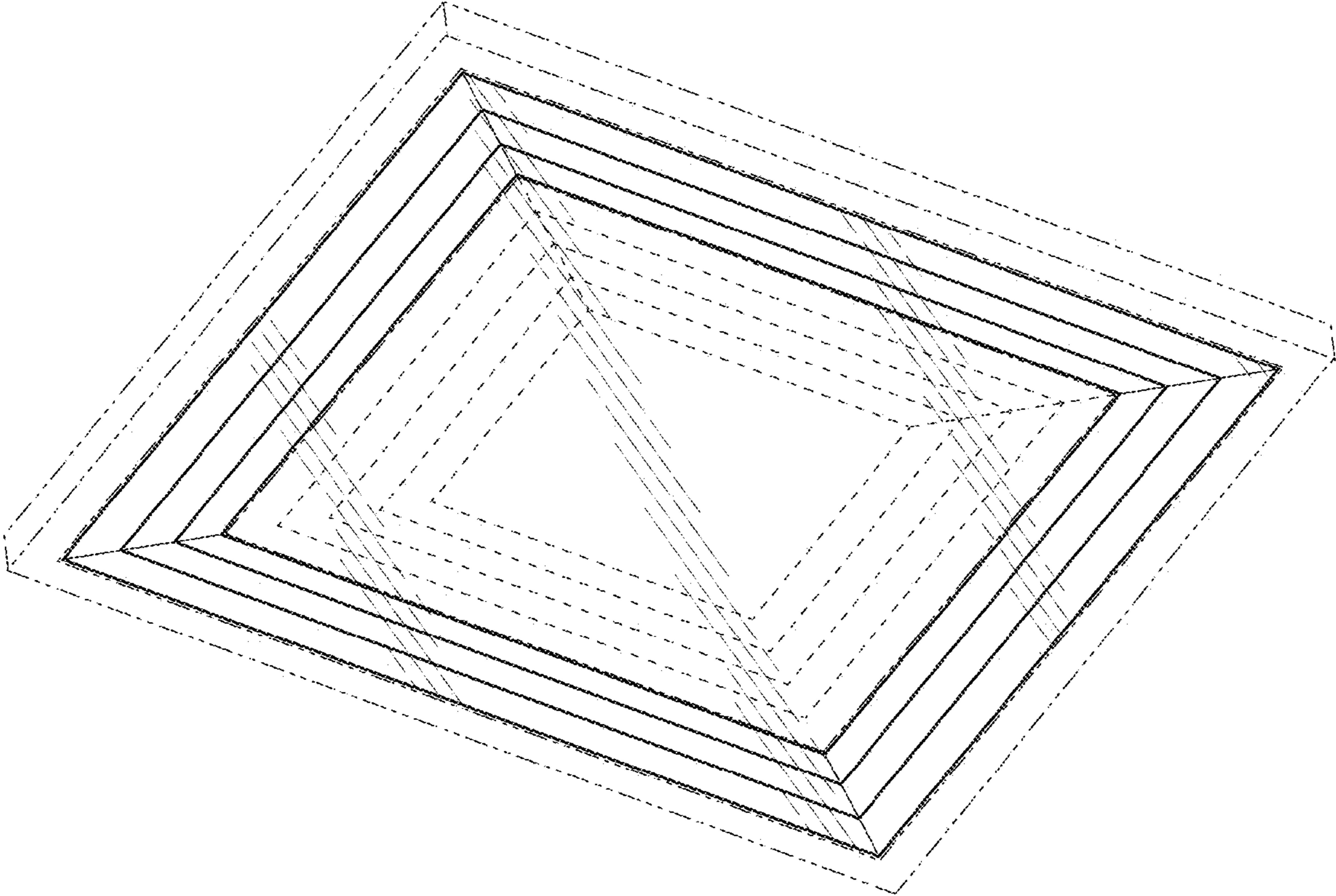


FIG. 1

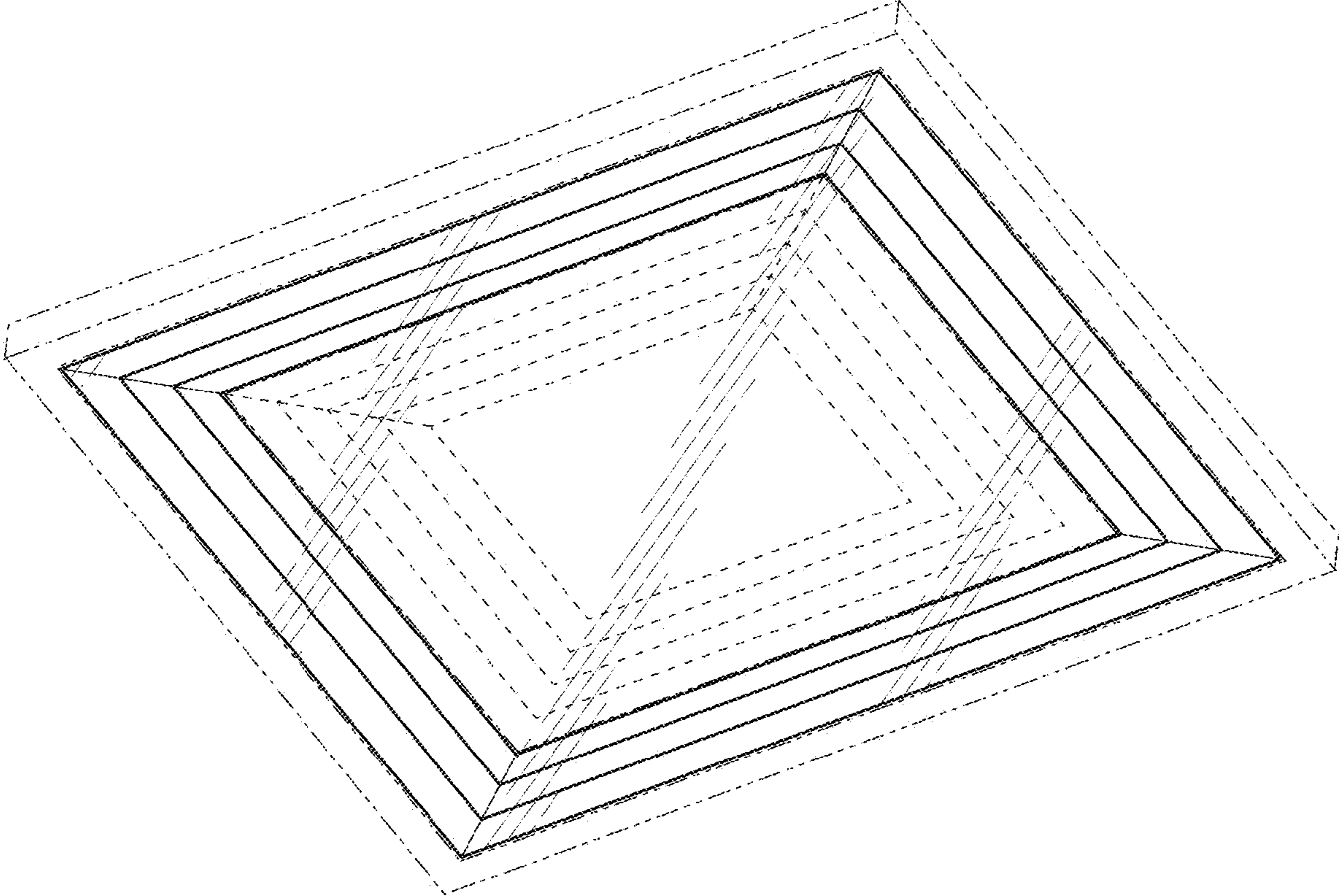


FIG. 2

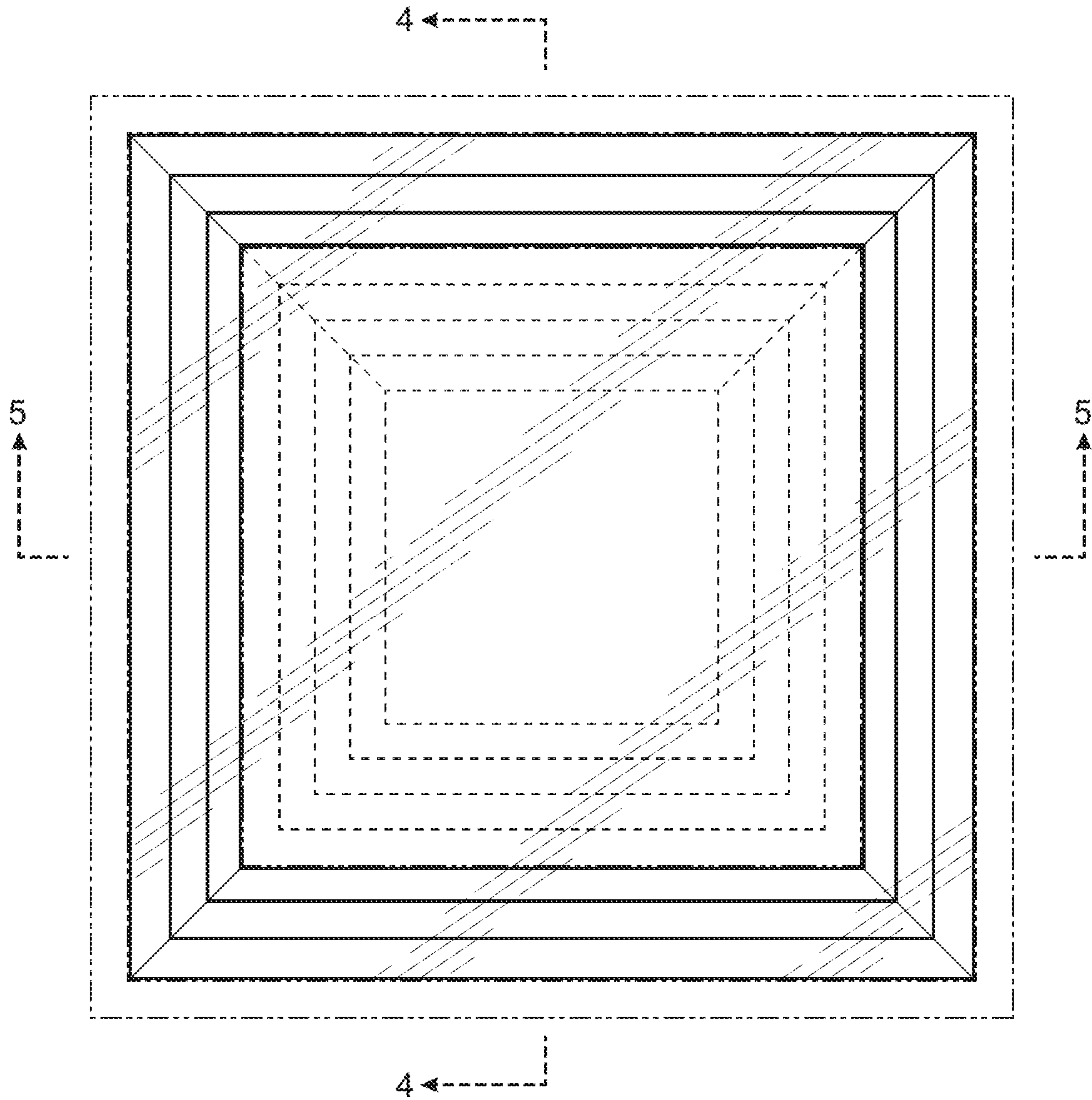


FIG. 3

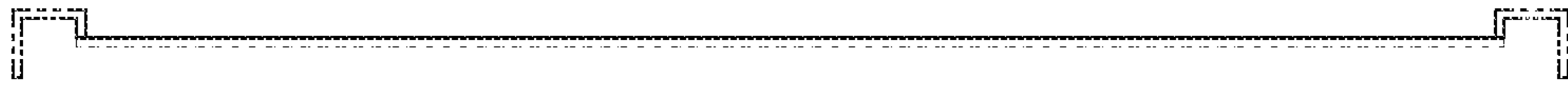


FIG. 4

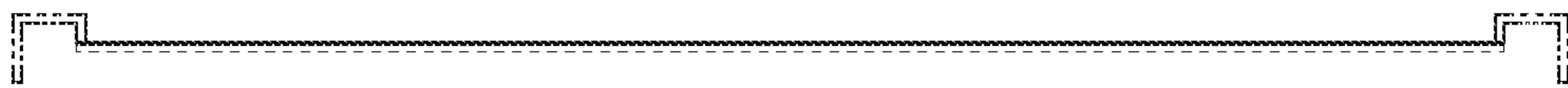


FIG. 5