



US00D982223S

(12) **United States Design Patent**
Liang

(10) **Patent No.:** **US D982,223 S**
(45) **Date of Patent:** **** Mar. 28, 2023**

- (54) **LAMP**
- (71) Applicant: **Gaozhou Qifan Lighting Technology Co., Ltd., Gaozhou (CN)**
- (72) Inventor: **Bo Liang, Gaozhou (CN)**
- (73) Assignee: **Gaozhou Qifan Lighting Technology Co., Ltd., Gaozhou (CN)**
- (**) Term: **15 Years**
- (21) Appl. No.: **29/770,642**
- (22) Filed: **Feb. 15, 2021**
- (51) **LOC (14) Cl.** **26-05**
- (52) **U.S. Cl.**
USPC **D26/104**
- (58) **Field of Classification Search**
USPC D26/24, 26, 40, 47, 93, 94, 98, 104, 106,
D26/110, 120, 123, 124, 128, 135, 137;
D23/370, 371, 372; D14/172, 200, 204,
D14/214, 496; D10/107, 114.1
CPC ... F21V 7/00; F21V 7/04; F21V 7/043; F21V
7/045; F21V 7/046; F21V 15/00; F21V
15/01; F21V 37/0095; F21V 21/00; F21V
21/30
See application file for complete search history.

D905,319 S * 12/2020 Cui D26/106
D914,957 S * 3/2021 Zeng D26/110
D935,683 S * 11/2021 Garrett D26/104
(Continued)

FOREIGN PATENT DOCUMENTS

CN 306733340 * 8/2021
CN 307006119 * 12/2021
(Continued)

OTHER PUBLICATIONS

Yuiisenn Disco Ball with Bluetooth Speaker, available in <https://www.amazon.com/>, posted: Mar. 31, 2021 [online], [site visited: Oct. 24, 2022], Internet URL: [https://www.amazon.com/dp/B092MJSVV3/ref=sspa_dk_detail_8?pd_rd_i=B092MJSVV3&pd_rd_w=lqKiN&content-id=amzn1.sym.dd2c6db7-6626-4 . . .](https://www.amazon.com/dp/B092MJSVV3/ref=sspa_dk_detail_8?pd_rd_i=B092MJSVV3&pd_rd_w=lqKiN&content-id=amzn1.sym.dd2c6db7-6626-4...) (Year: 2021).*

(Continued)

Primary Examiner — Samantha Wood
Assistant Examiner — Alex T. Milbrath
(74) *Attorney, Agent, or Firm* — Getech Law LLC; Jun Ye

(57) **CLAIM**

The ornamental design for a lamp, as shown and described.

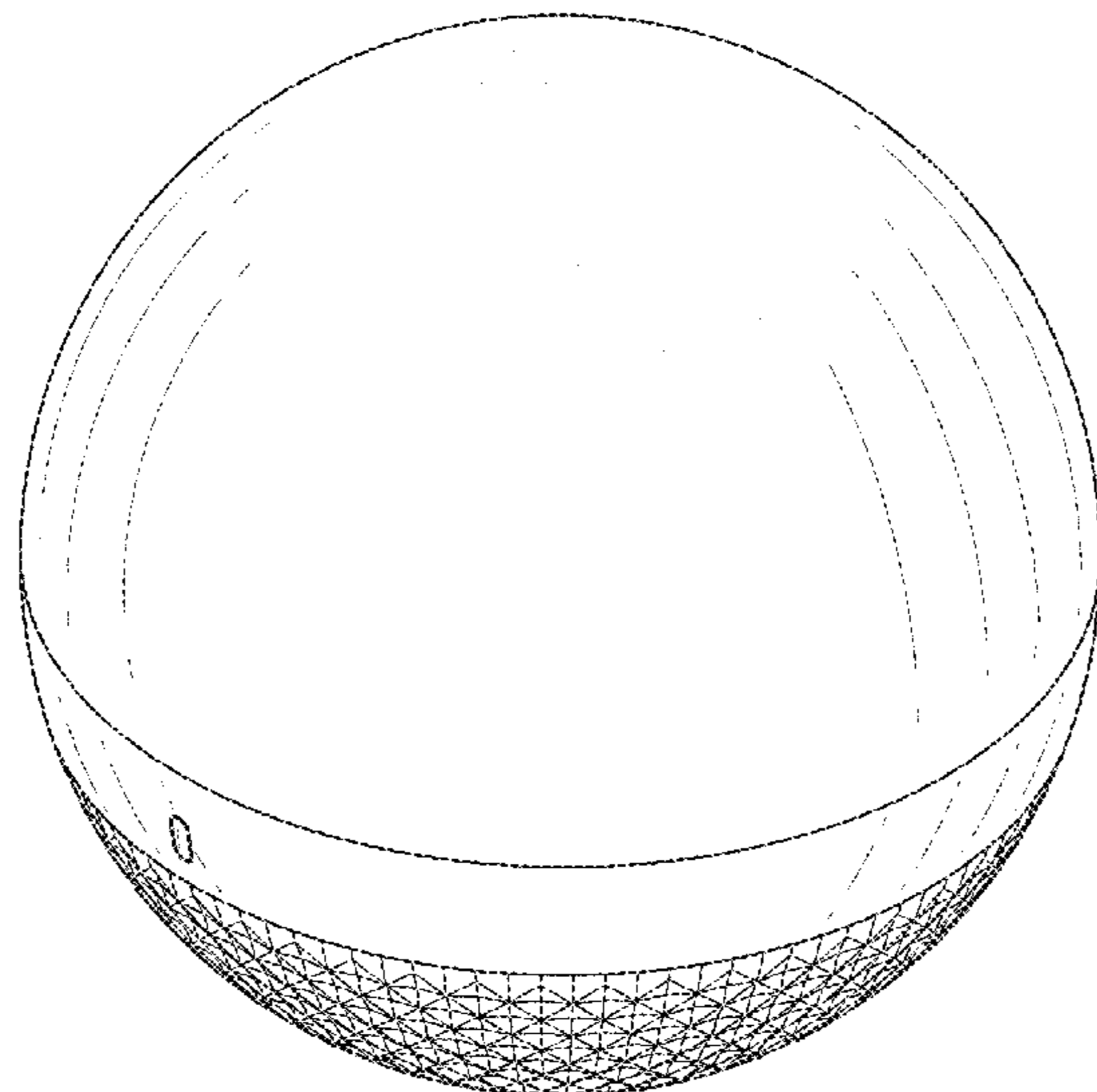
DESCRIPTION

FIG. 1 is a perspective view of a lamp, showing our new design;
FIG. 2 is a front view thereof;
FIG. 3 is a rear view thereof;
FIG. 4 is a left view thereof;
FIG. 5 is a right view thereof;
FIG. 6 is a top view thereof; and,
FIG. 7 is a bottom view thereof.
The broken lines are included for the purpose of illustrating portions of the lamp that form no part of the claim design.

1 Claim, 7 Drawing Sheets

(56) **References Cited**
U.S. PATENT DOCUMENTS

D395,715 S * 6/1998 Queen D26/104
D605,337 S * 12/2009 Zhang D26/104
D689,221 S * 9/2013 Isaac D26/24
D700,393 S * 2/2014 Wang D26/120
D848,051 S * 5/2019 Huang D26/104
D861,967 S * 10/2019 Lin D26/110
D875,994 S * 2/2020 Yu D26/104
D882,856 S * 4/2020 Feng D26/104
D887,073 S * 6/2020 Lin D26/106
D901,065 S * 11/2020 Wang D26/104
D902,471 S * 11/2020 Canizares D26/106



(56)

References Cited

U.S. PATENT DOCUMENTS

D942,673 S * 2/2022 Huang D26/104
D951,521 S * 5/2022 Workman D26/110
D965,852 S * 10/2022 Li D26/104

FOREIGN PATENT DOCUMENTS

EM 009056195-0001 * 6/2022
GB 6147456 * 7/2021

OTHER PUBLICATIONS

Agsion USB Mini Disco Light, available in <https://www.amazon.com/>, posted: Aug. 6, 2022 [online], [site visited: Oct. 24, 2022], Internet URL: [https://www.amazon.com/dp/B0B8VQ6193/ref=sspa_dk_detail_2?pd_rd_i=B0B8VQ6193&pd_rd_w=HAcB3&content-id=amzn1.sym.46bad5f6-1f0a-4 . . .](https://www.amazon.com/dp/B0B8VQ6193/ref=sspa_dk_detail_2?pd_rd_i=B0B8VQ6193&pd_rd_w=HAcB3&content-id=amzn1.sym.46bad5f6-1f0a-4...) (Year: 2022).*

MD Lighting Stars and Sea Life Projection LED, available in <https://www.amazon.com/>, posted: Nov. 7, 2018 [online], [site visited: Oct. 24, 2022], Internet URL: [https://www.amazon.com/MD-Lighting-Projector-Ceiling-Rotation/dp/B07KB9RC55?source=ps-sl-shoppingads-lpcontext&ref_=fplfs&smid=AMSDKPK . . .](https://www.amazon.com/MD-Lighting-Projector-Ceiling-Rotation/dp/B07KB9RC55?source=ps-sl-shoppingads-lpcontext&ref_=fplfs&smid=AMSDKPK...) (Year: 2018).*

ExoLite Galaxy Projector, available in <https://www.amazon.com/>, posted: Oct. 4, 2022 [online], [site visited: Oct. 24, 2022], Internet URL: [https://www.amazon.com/dp/B0B53Q6VSC/ref=sspa_dk_detail_4?psc=1&pf_rd_p=46bad5f6-1f0a-4167-9a8b-c8a82fa48a54 &pf_rd_r=F8A8B60NG76 . . .](https://www.amazon.com/dp/B0B53Q6VSC/ref=sspa_dk_detail_4?psc=1&pf_rd_p=46bad5f6-1f0a-4167-9a8b-c8a82fa48a54&pf_rd_r=F8A8B60NG76...) (Year: 2022).*

* cited by examiner

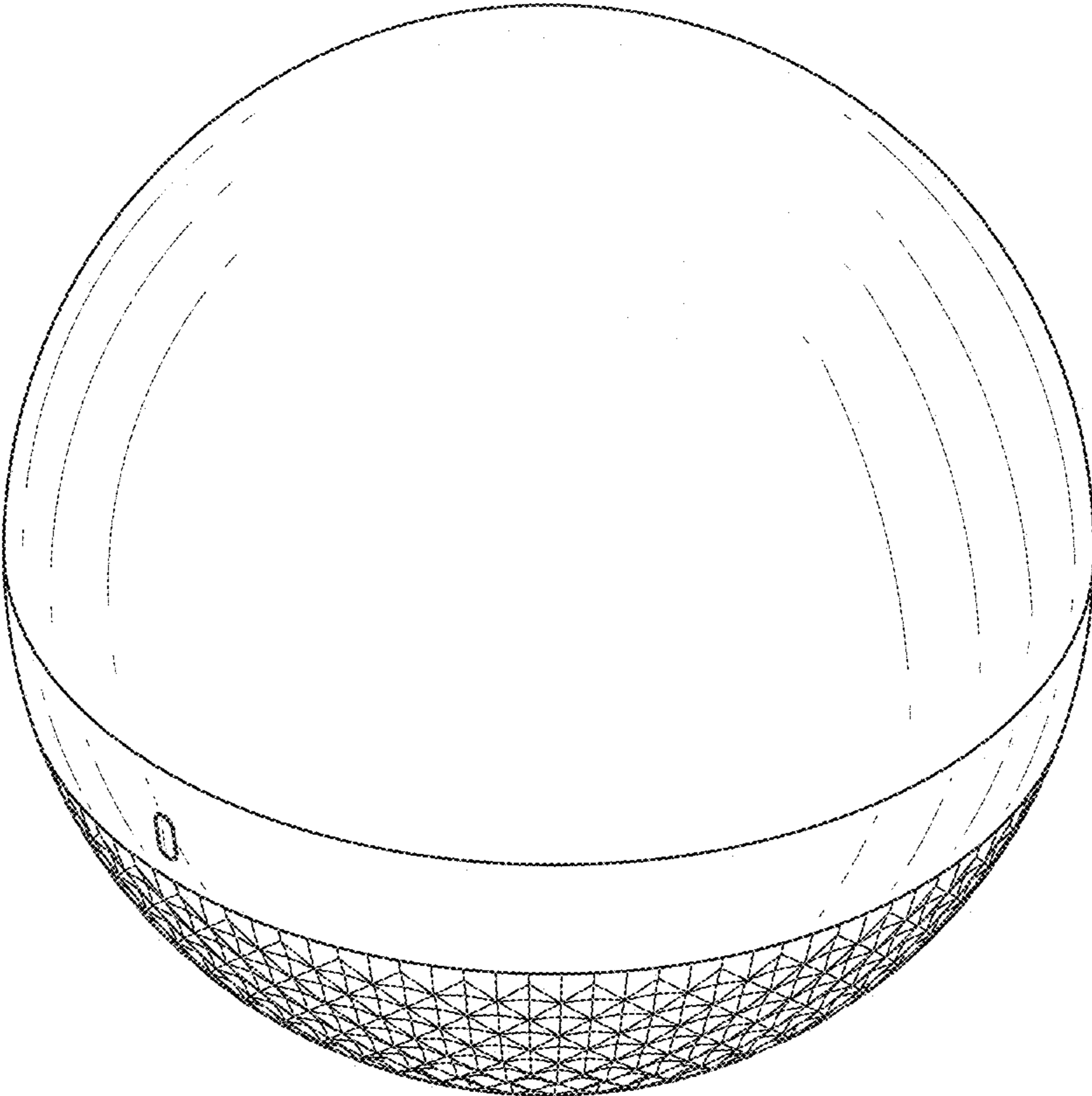


FIG. 1

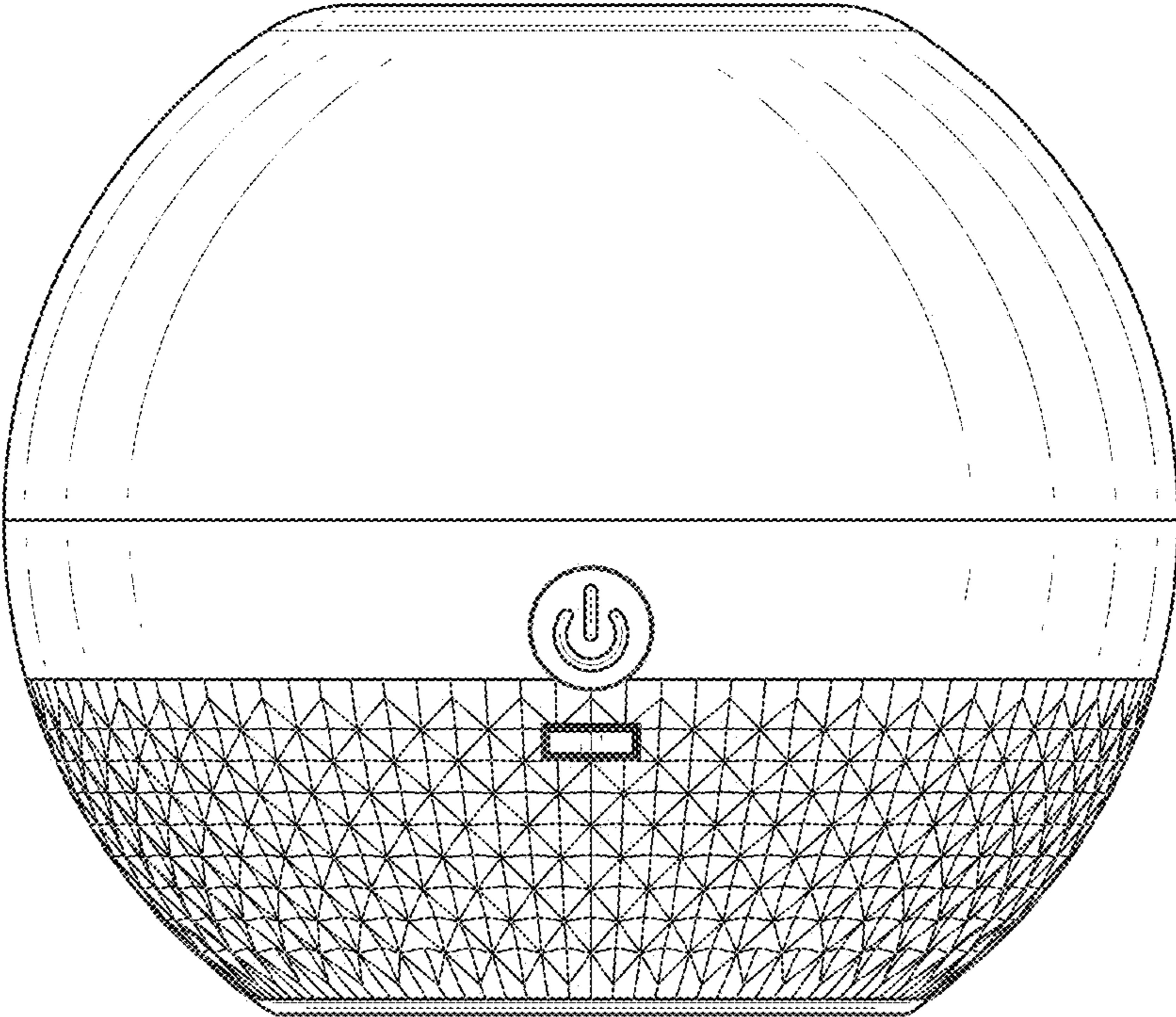


FIG. 2

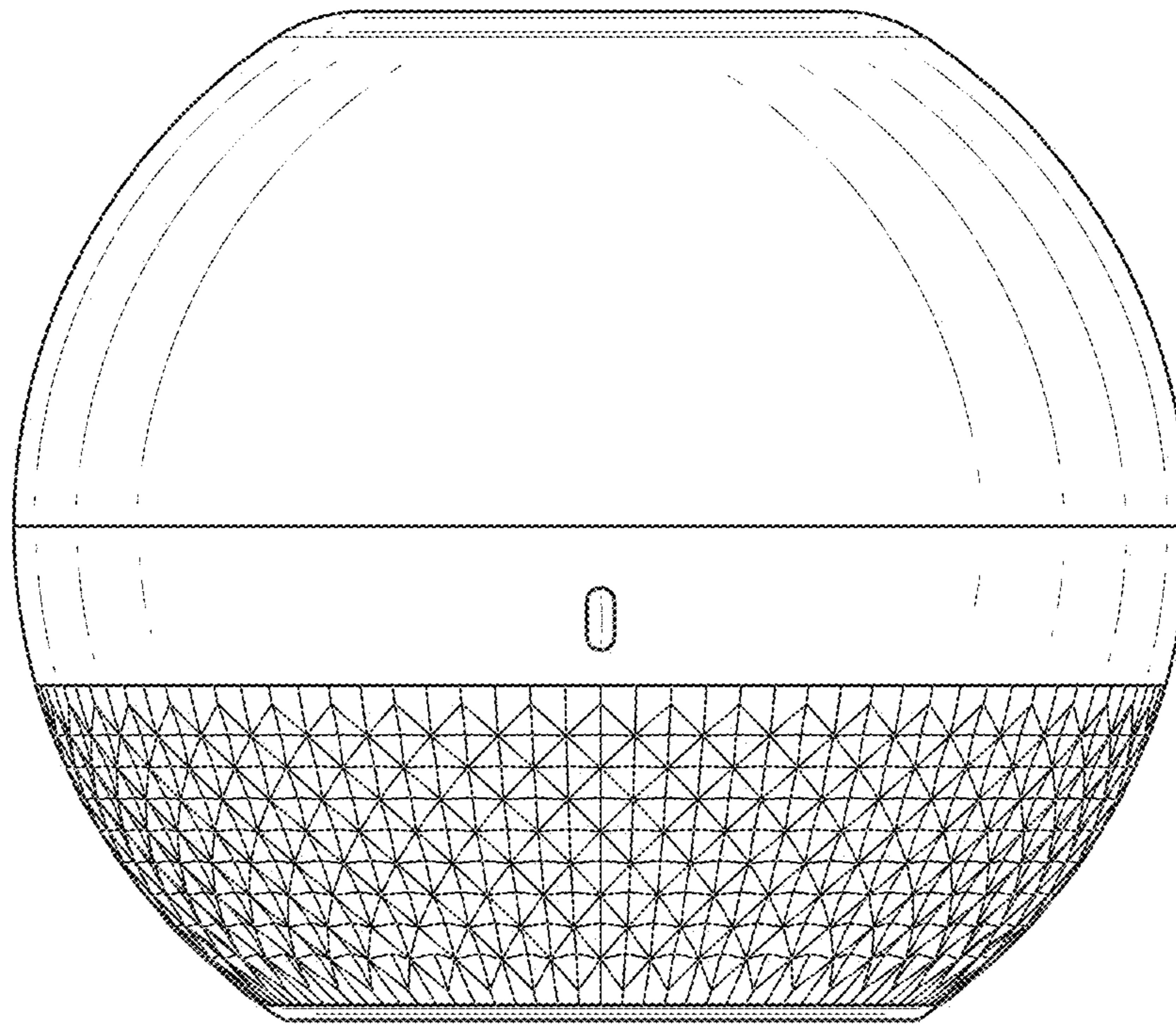


FIG. 3

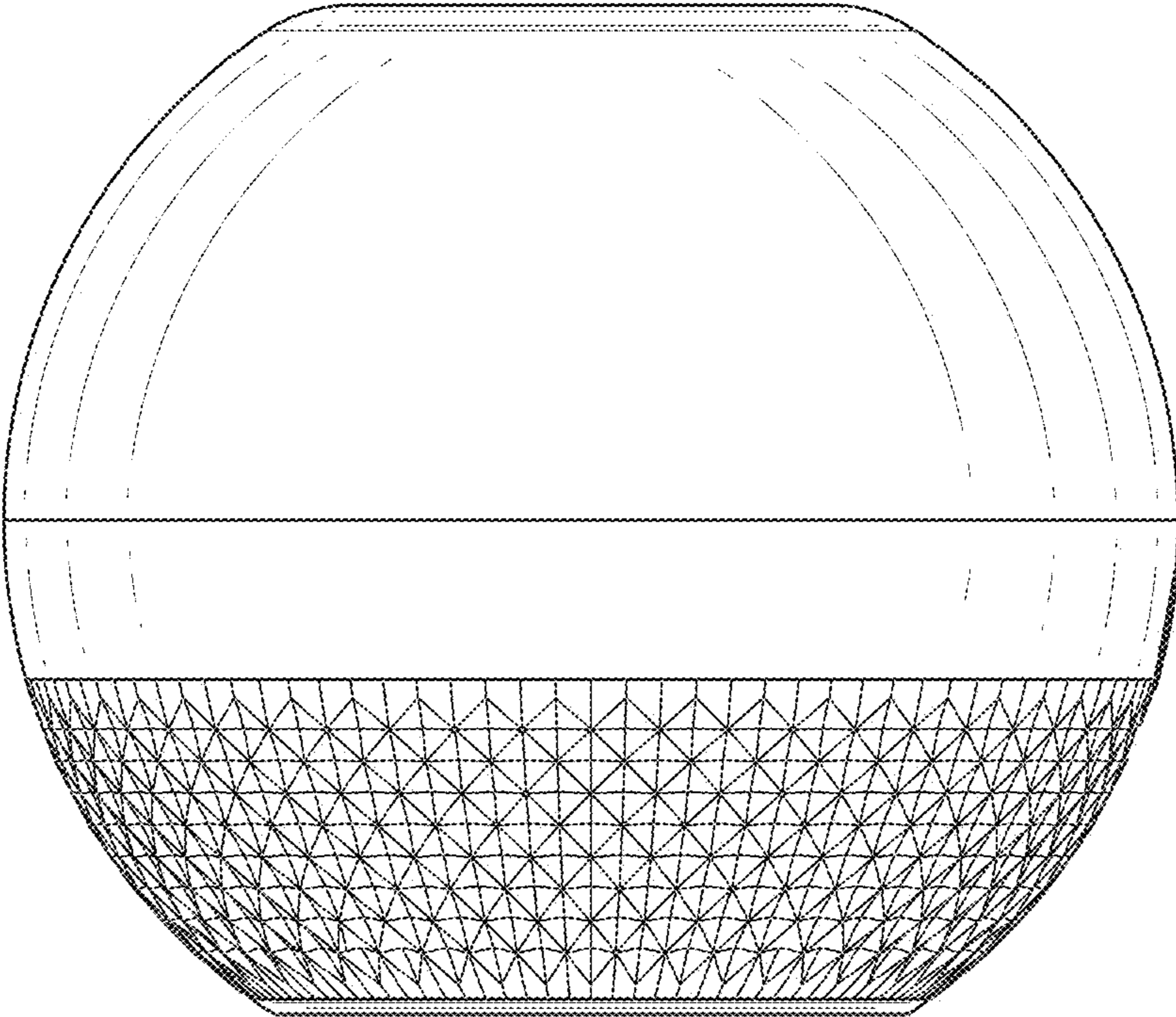


FIG. 4

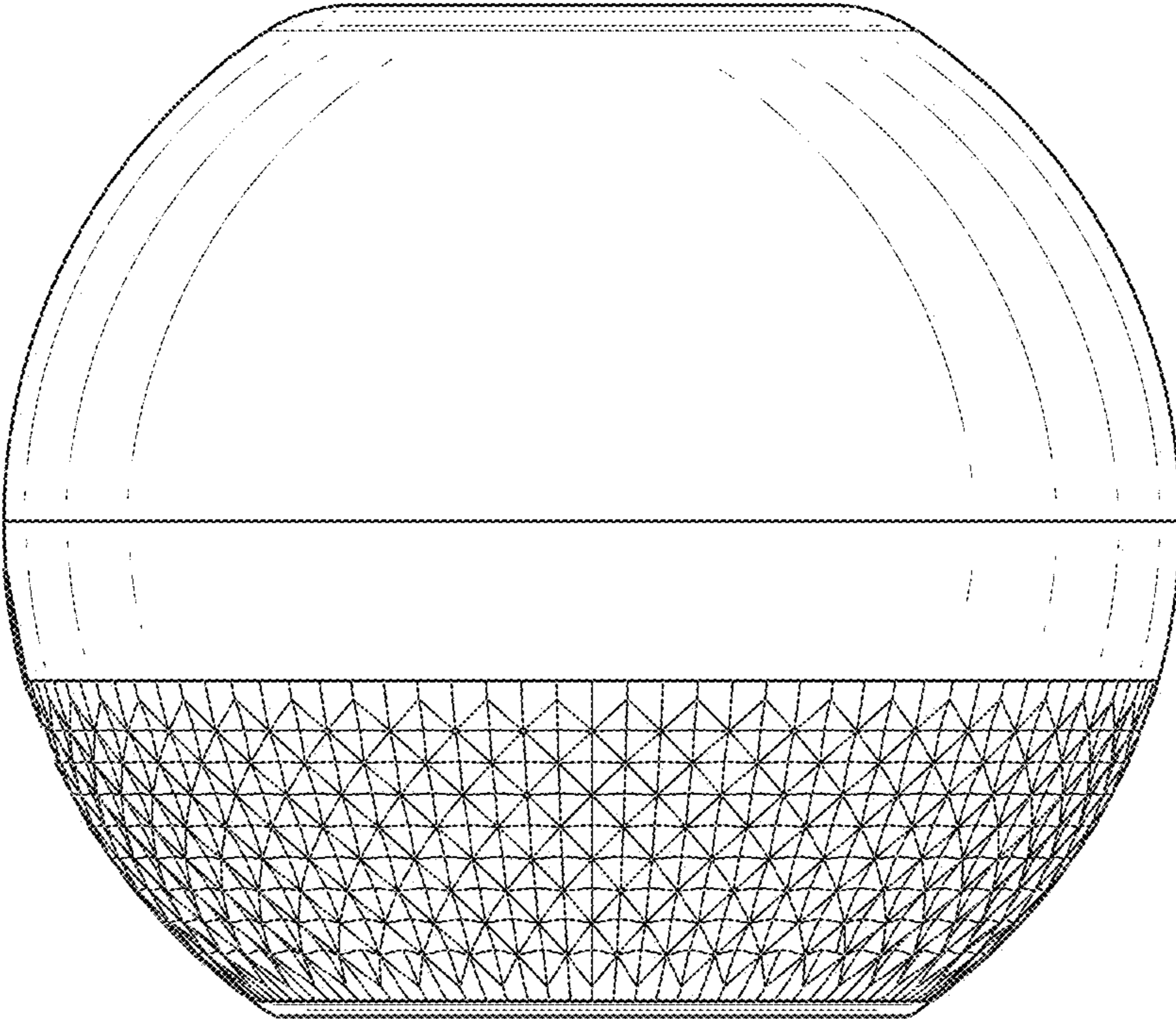


FIG. 5

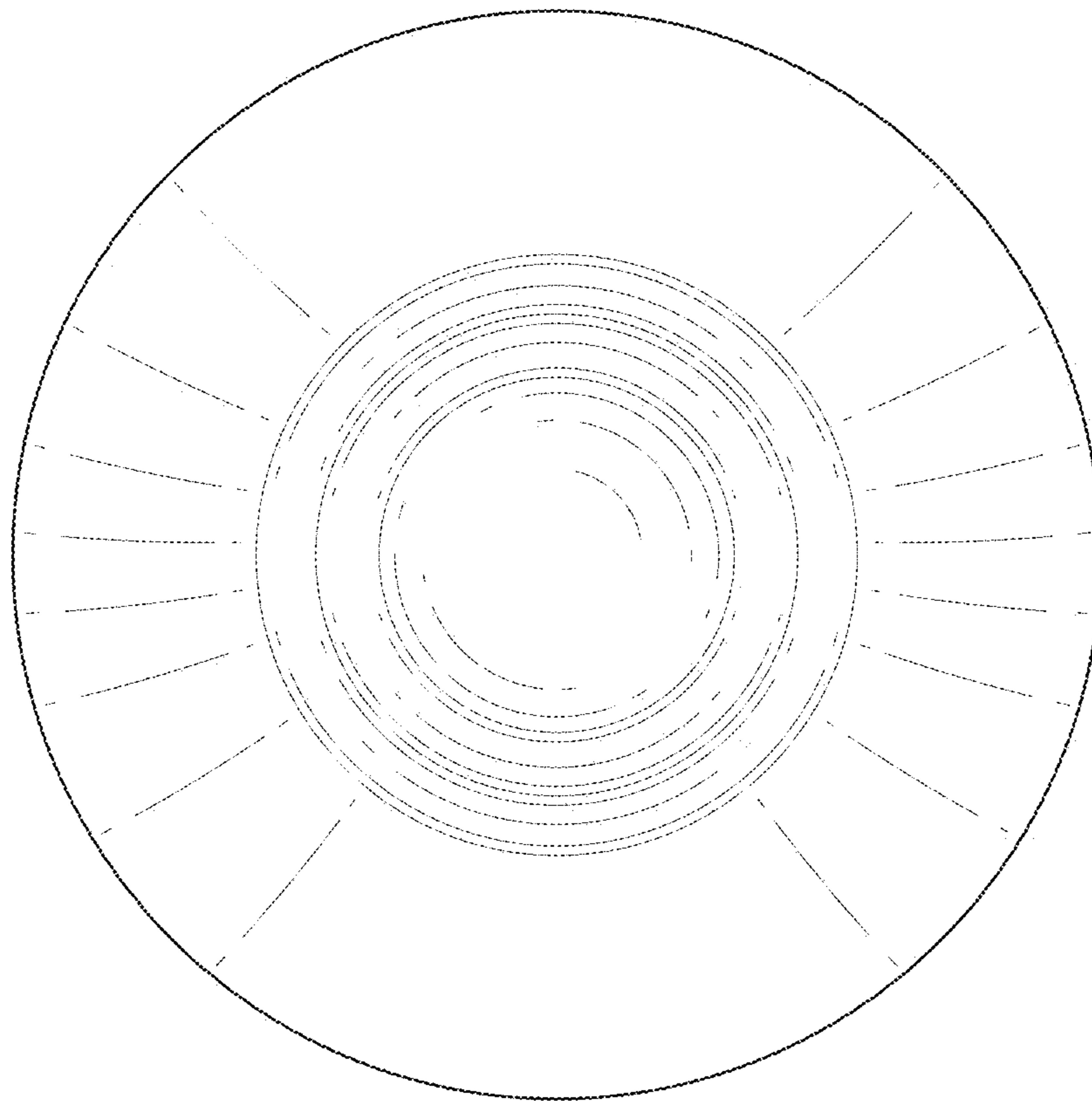


FIG. 6

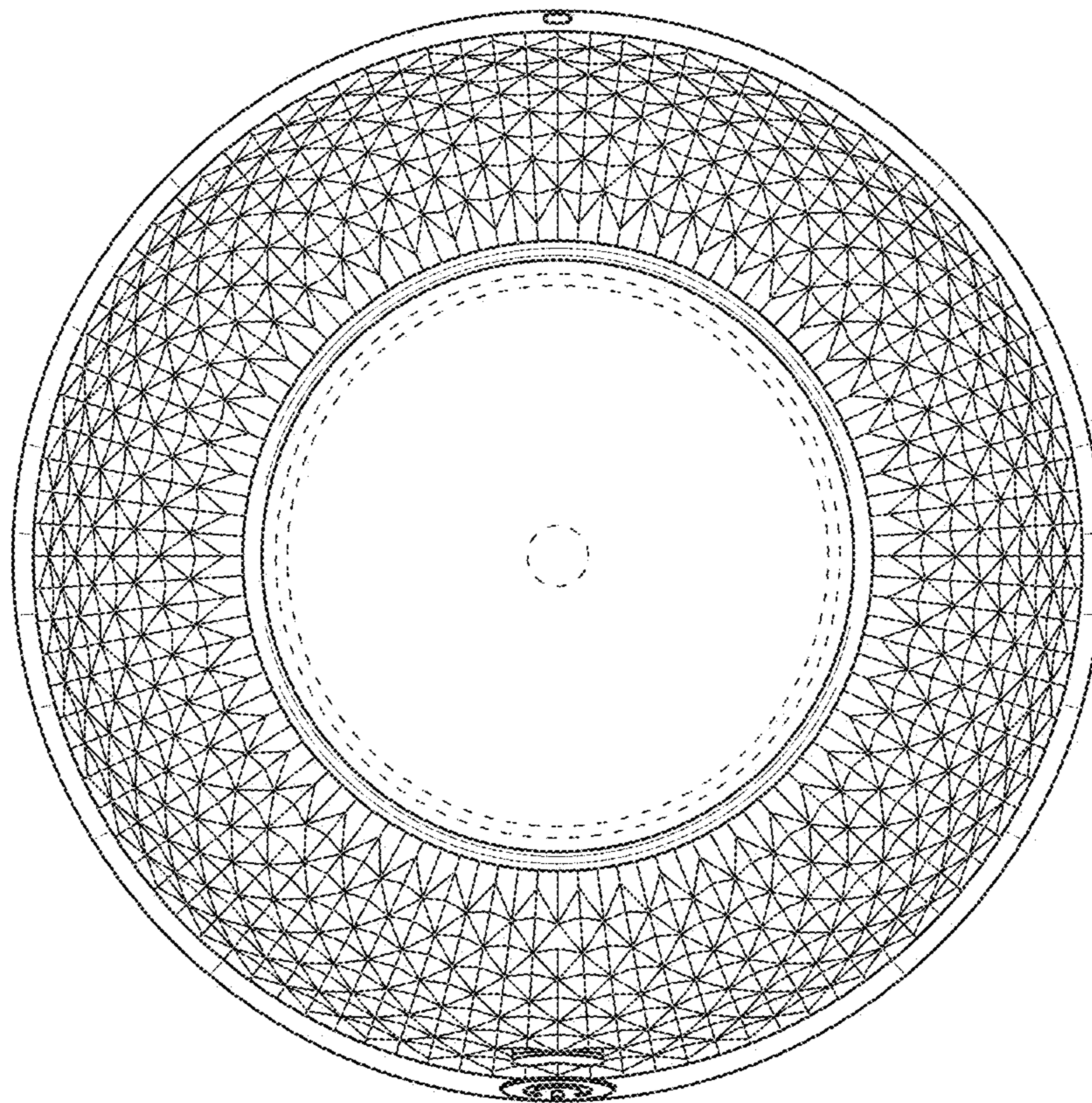


FIG. 7