



US00D982220S

(12) **United States Design Patent** (10) **Patent No.:** **US D982,220 S**
Li (45) **Date of Patent:** **** Mar. 28, 2023**

(54) **PROJECTOR LAMP**

FOREIGN PATENT DOCUMENTS

(71) Applicant: **Jing Li**, Zhongshan (CN)

CN 303096951 * 2/2015

(72) Inventor: **Jing Li**, Zhongshan (CN)

OTHER PUBLICATIONS

(**) Term: **15 Years**

Hasbro Gaming Rubik's Cube, available in Amazon.com, date first available Jul. 1, 2019 [online], [site visited Oct. 13, 2022], Available from the internet URL: <https://a.co/d/1vhFx Bd> (Year: 2019).*

(21) Appl. No.: **29/775,298**

Official Rubik's Cube Light, announced in YouTube on Aug. 8, 2015 [online], [site visited Oct. 13, 2022], Available from the internet URL: <https://www.youtube.com/watch?v=3KgYaFPfVLQ> (Year: 2015).*

(22) Filed: **Mar. 23, 2021**

(51) **LOC (14) Cl.** **26-04**

(52) **U.S. Cl.**
USPC **D26/94; D21/478**

(58) **Field of Classification Search**

USPC D26/24, 63, 94, 118, 93; D21/478, 104, D21/385, 336, 499, 468; D3/305; D6/708, 300, 407; D19/60; D16/221
CPC G03B 21/00; H01J 61/025; A63F 9/24
See application file for complete search history.

◆◆◆◆◆◆◆◆ RS3M Magnetic Speed Cube Maglev Version, available in Amazon.com, announced Year 2021 [online], [site visited Oct. 13, 2022], Internet URL: https://www.amazon.com/Moyu-Magnetic-Upgraded-Sticker-less-Continuously/dp/B09MT9BVQC/ref=cm_cr_ar_p_d_product_top?ie=UTF8&th=1 (Year: 2021).*

* cited by examiner

(56) **References Cited**

Primary Examiner — Brett Miller

Assistant Examiner — Jasmine L. Comedy

U.S. PATENT DOCUMENTS

(57) **CLAIM**

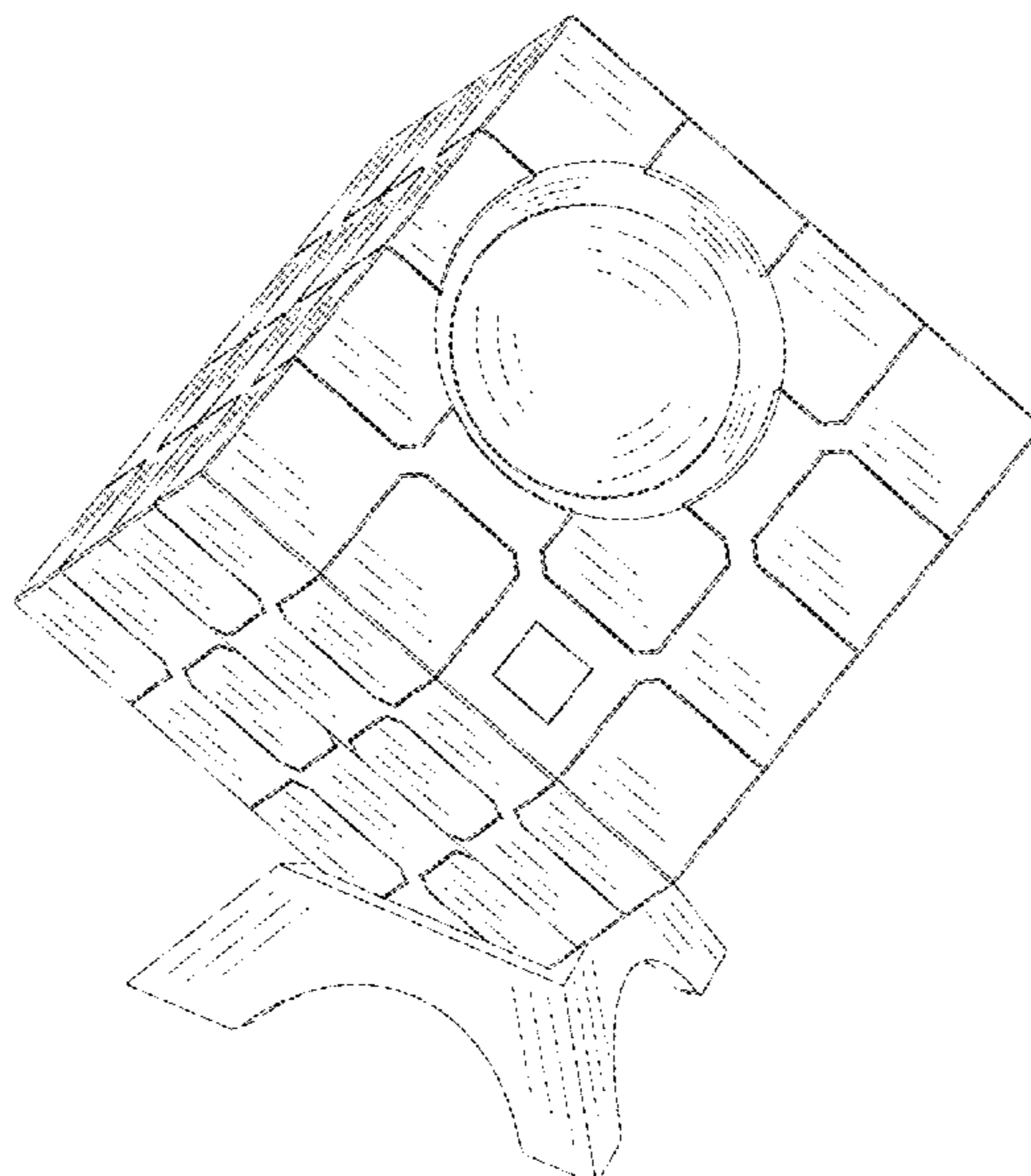
D340,093 S *	10/1993	Hrsel	D21/478
D375,007 S *	10/1996	Erickson	D6/407
D485,868 S *	1/2004	Perrin	D21/385
D495,378 S *	8/2004	Sugden	D21/478
D528,607 S *	9/2006	Sugden	D21/478
D537,249 S *	2/2007	Shapiro	D3/305
D593,976 S *	6/2009	Liaw	D14/126
D619,296 S *	7/2010	Thevenot	D26/118
D670,646 S *	11/2012	Canova	D26/94
D678,423 S *	3/2013	Verdes	D21/478
D705,366 S *	5/2014	Inversin	D21/478
D818,055 S *	5/2018	Xie	D21/499
D884,088 S *	5/2020	Leibovich	D21/478
D902,320 S *	11/2020	Garrett	D19/60
D930,212 S *	9/2021	Liu	D26/63
2008/0070657 A1 *	3/2008	Kratz	A63F 9/24 463/9
2018/0161668 A1 *	6/2018	Chen	A63F 9/0842
2022/0072414 A1 *	3/2022	Su	A63F 9/0838

The ornamental design for a projector lamp, as shown and described.

DESCRIPTION

FIG. 1 is a top perspective view of a projector lamp showing my new design;
FIG. 2 is a front elevation view thereof;
FIG. 3 is a rear elevation view thereof;
FIG. 4 is a left side elevation view thereof;
FIG. 5 is a right side elevation view thereof;
FIG. 6 is a top plan view thereof;
FIG. 7 is a bottom plan view thereof; and,
FIG. 8 is a bottom perspective view thereof.

1 Claim, 8 Drawing Sheets



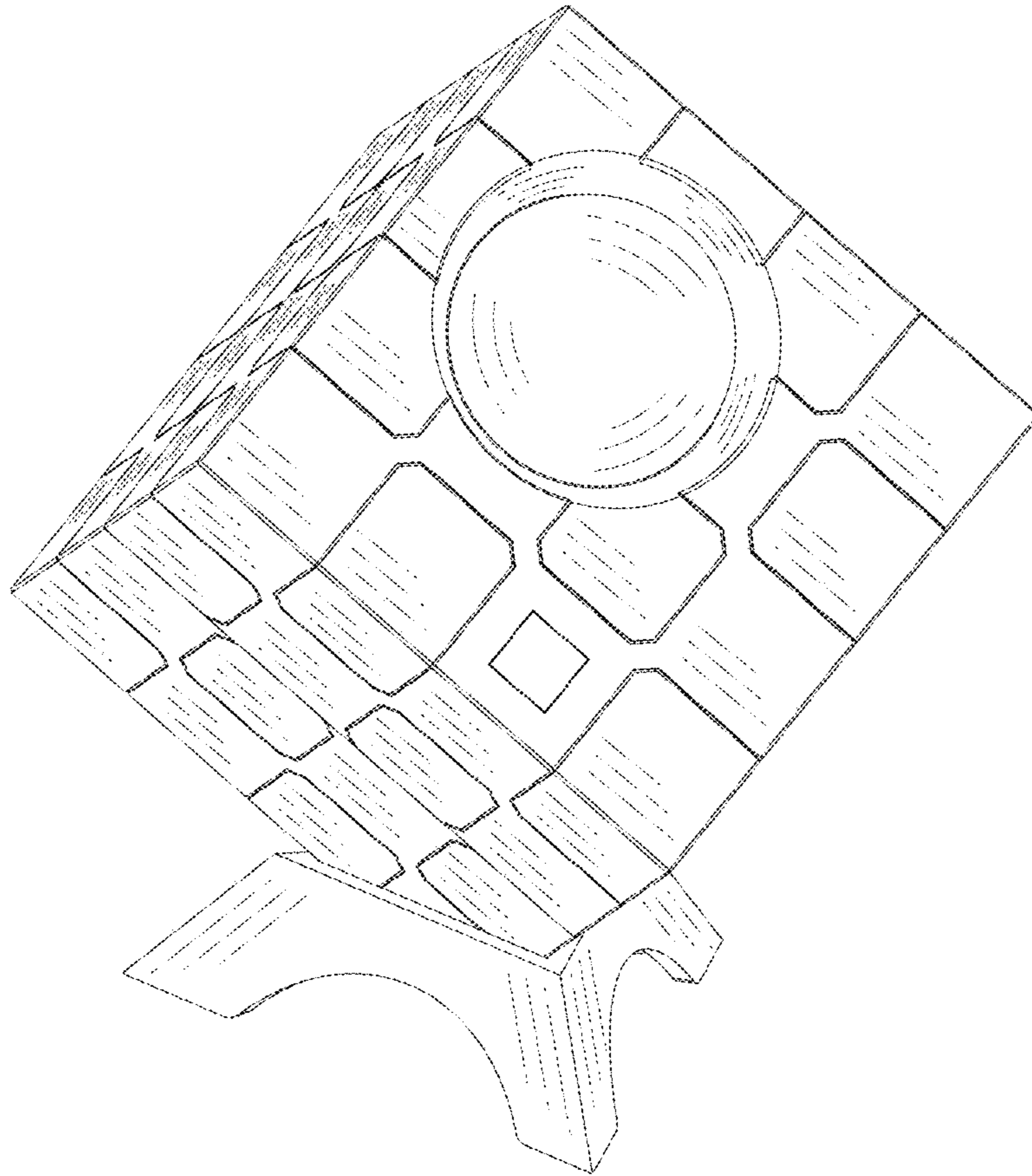


FIG. 1

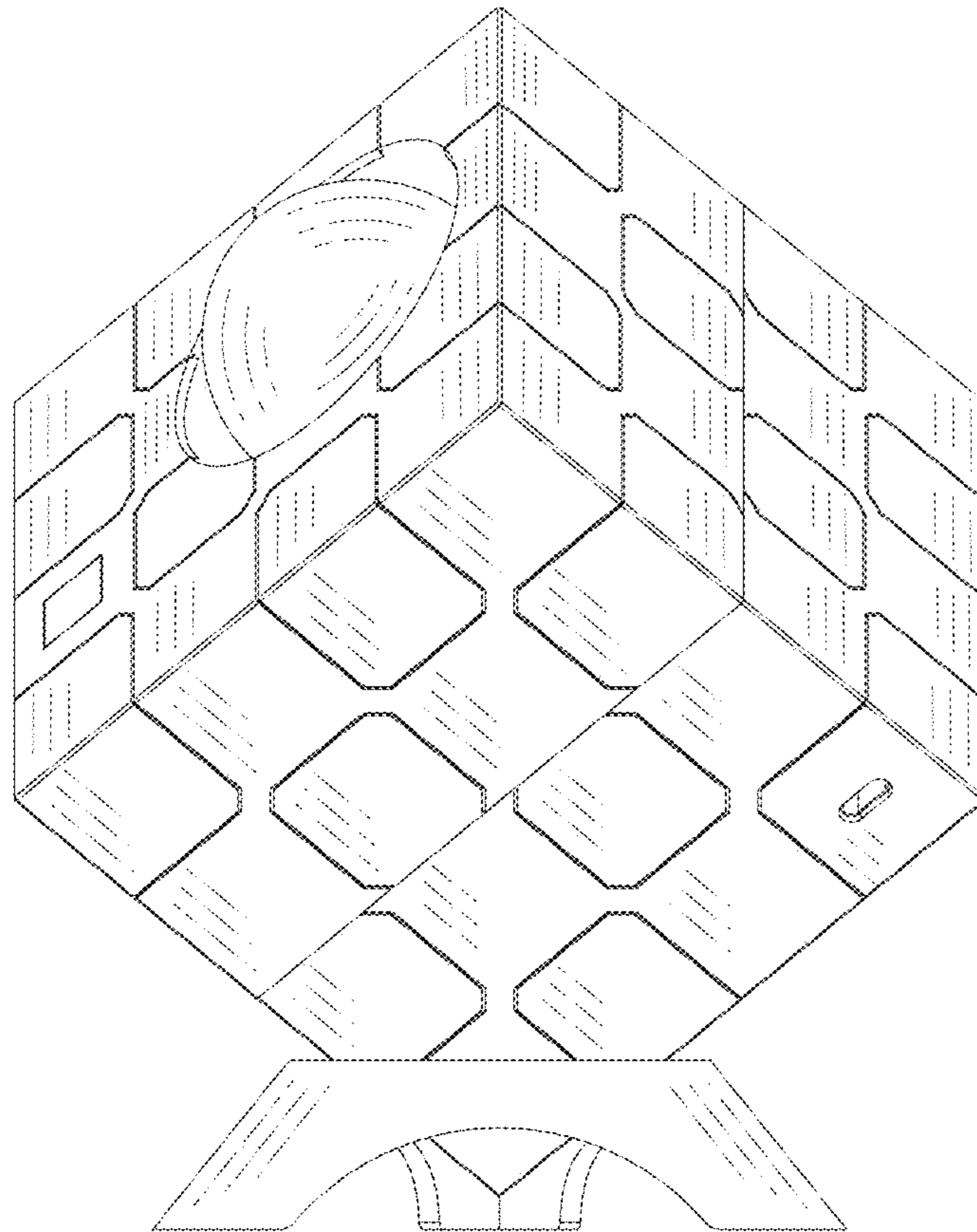


FIG. 2

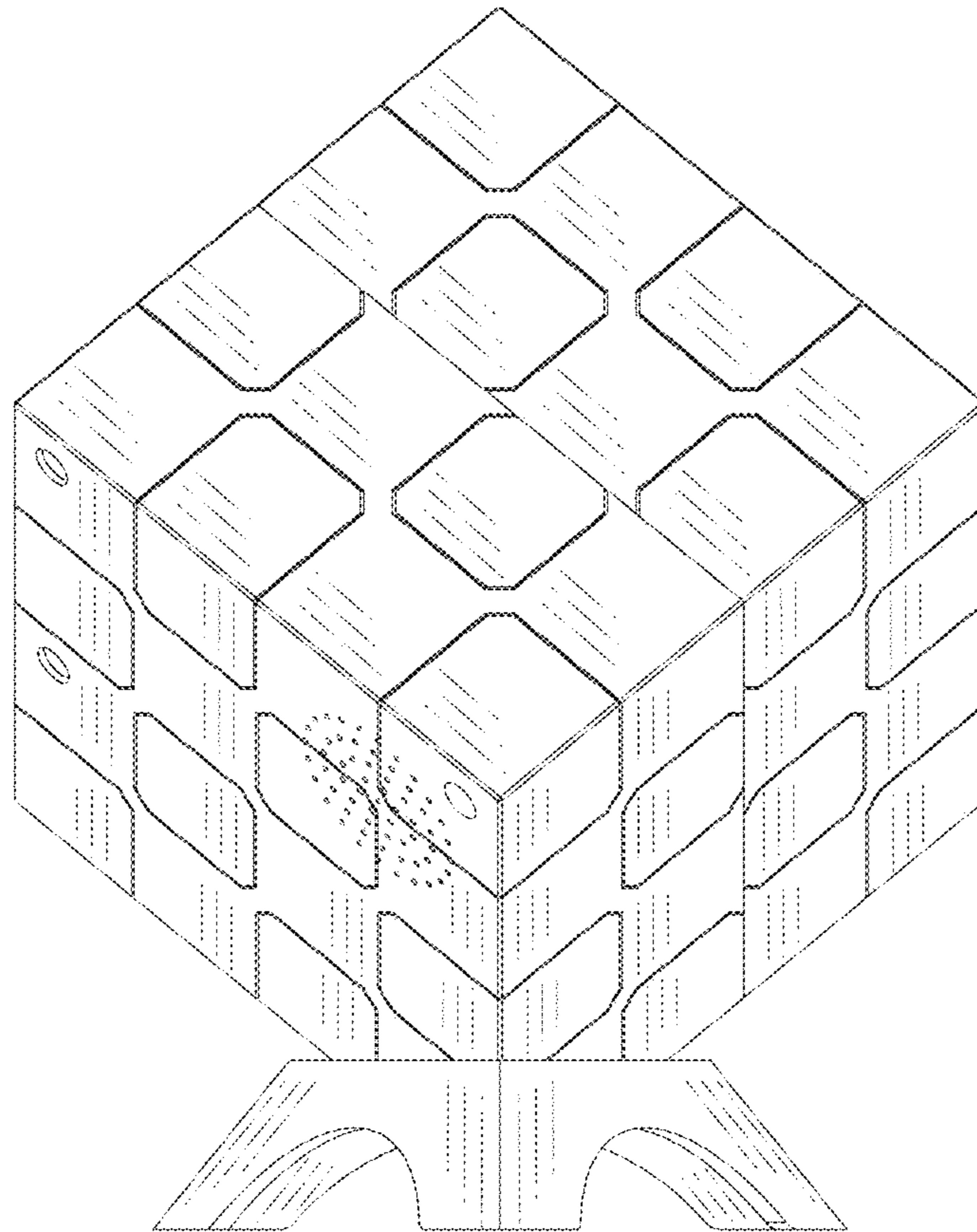


FIG. 3

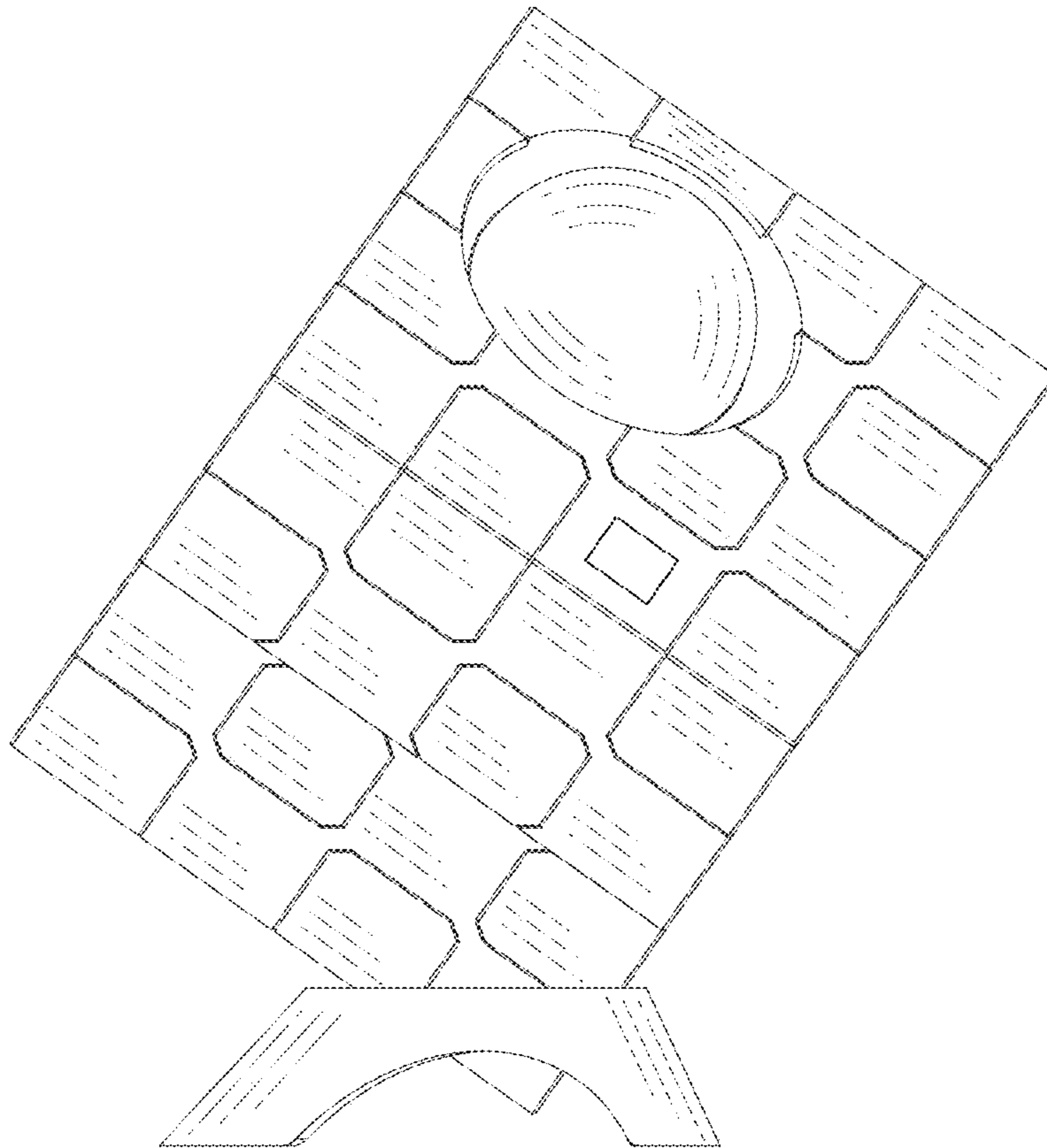


FIG. 4

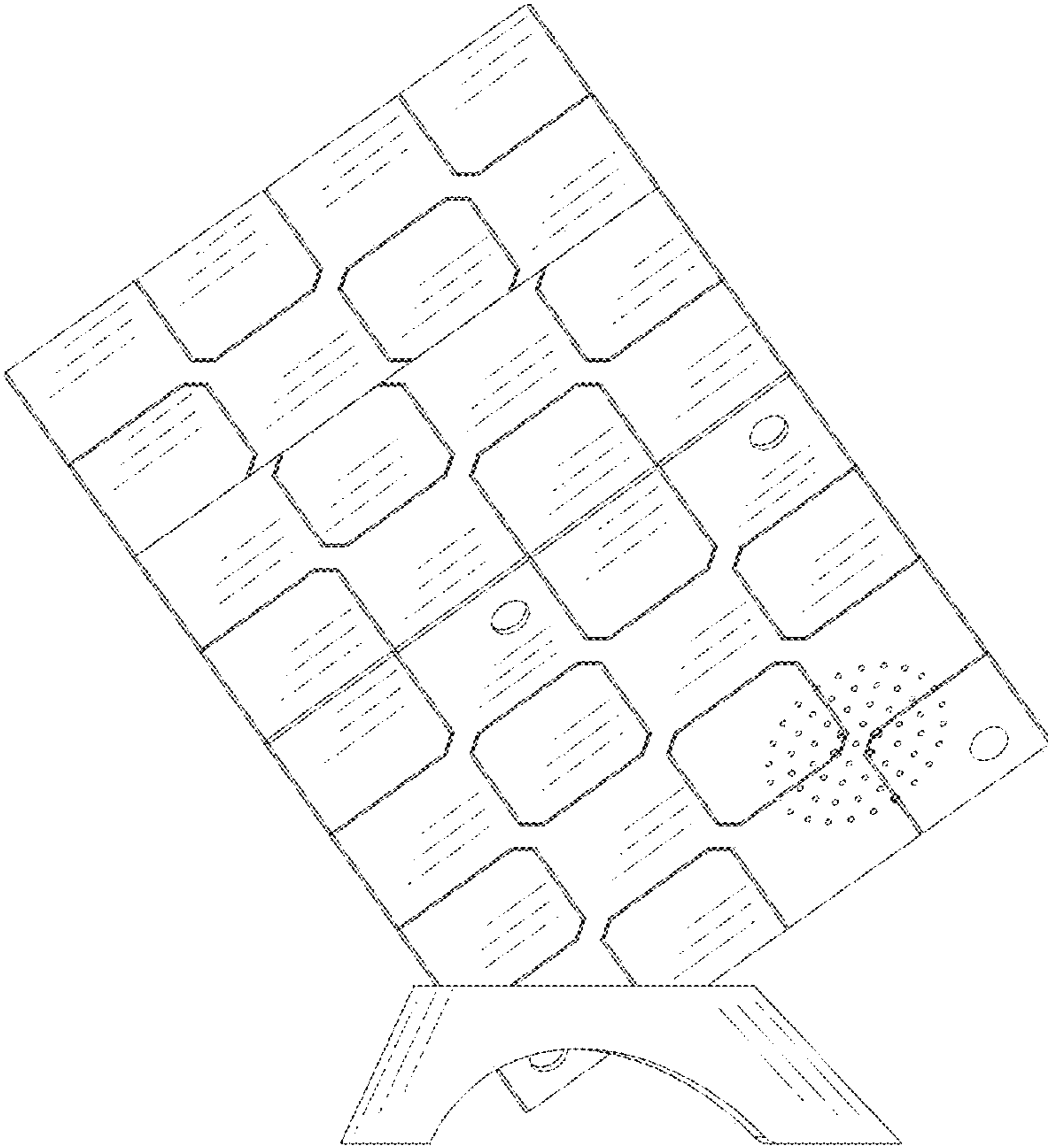


FIG. 5

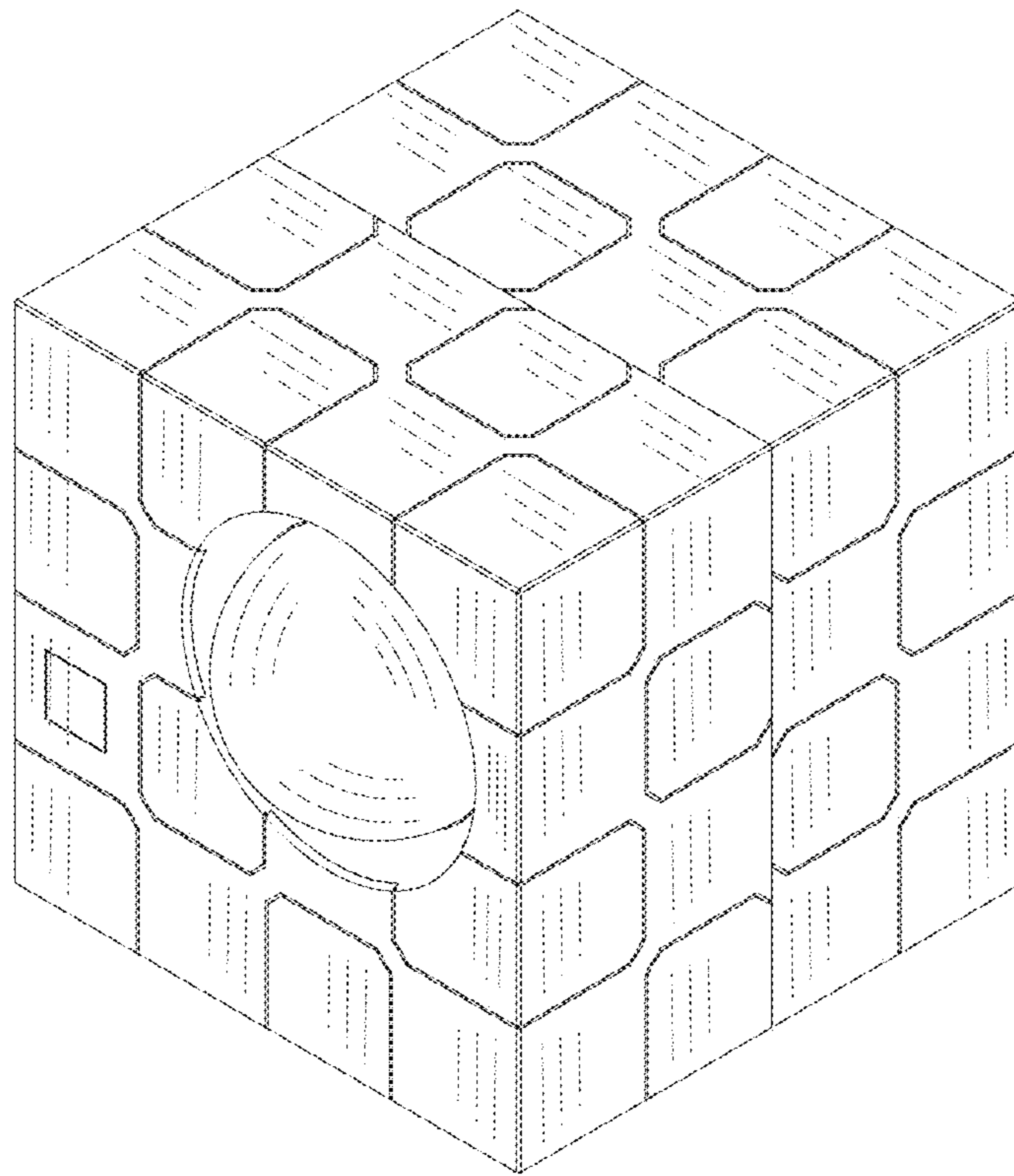


FIG. 6

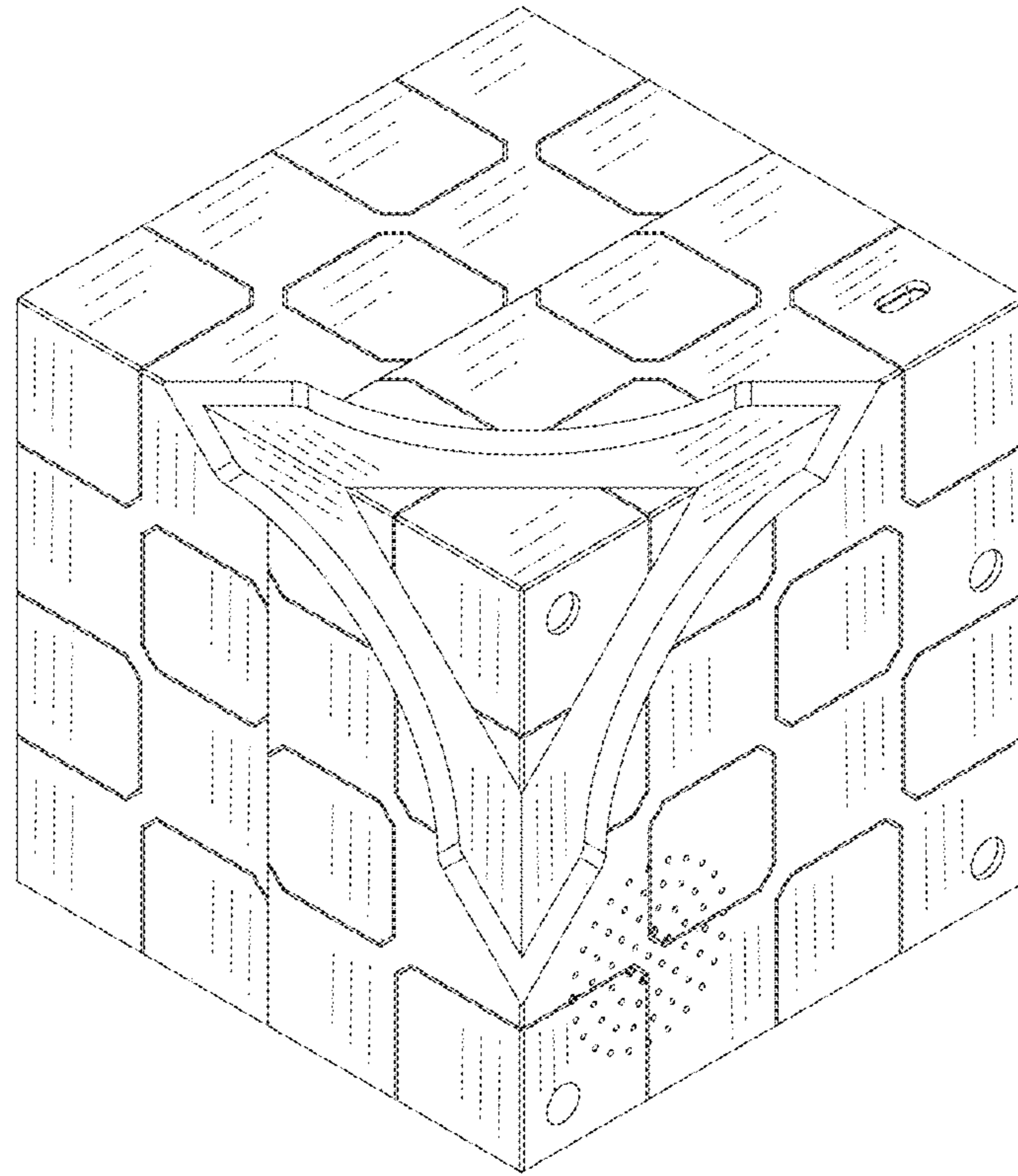


FIG. 7

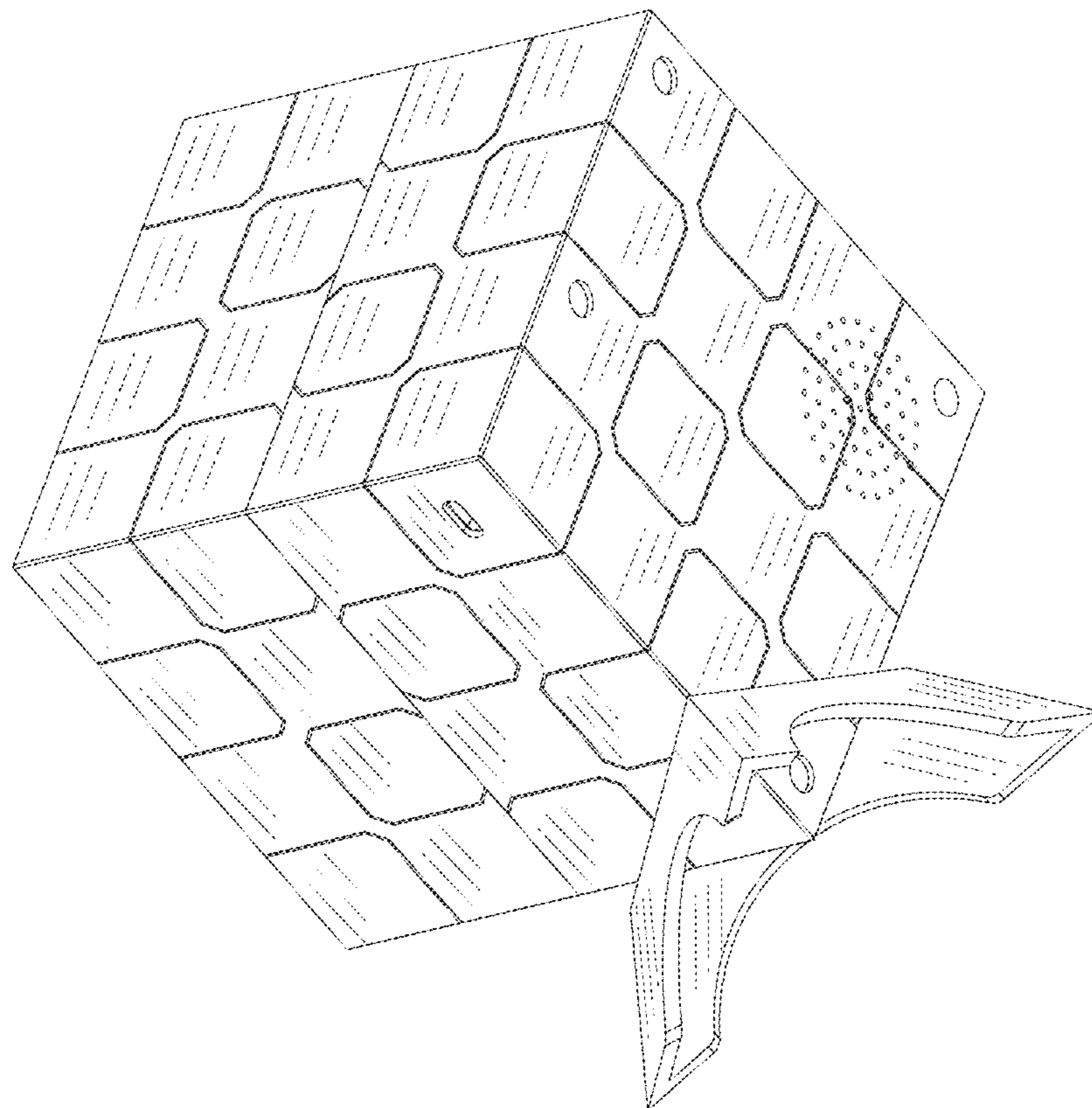


FIG. 8