



US00D982219S

(12) **United States Design Patent**  
**Jin**

(10) **Patent No.:** **US D982,219 S**  
(45) **Date of Patent:** **\*\* Mar. 28, 2023**

(54) **LASER PROJECTION LAMP**

D846,784 S \* 4/2019 Luo ..... A01M 1/223  
D26/63

(71) Applicant: **NINGBO KAISHENG**  
**ELECTRICAL APPLIANCE CO.,**  
**LTD, Ningbo (CN)**

D882,142 S \* 4/2020 Huang ..... D26/63  
D890,974 S \* 7/2020 Huang ..... G03B 21/145  
D26/63

(Continued)

(72) Inventor: **Jianjun Jin, Ningbo (CN)**

**FOREIGN PATENT DOCUMENTS**

(73) Assignee: **NINGBO KAISHENG**  
**ELECTRICAL APPLIANCE CO.,**  
**LTD, Ningbo (CN)**

CN 201730164550 \* 9/2017  
CN 201730446222 \* 4/2018

(Continued)

(\*\*) Term: **15 Years**

**OTHER PUBLICATIONS**

(21) Appl. No.: **29/784,503**

Kswing Christmas Light Projector (Alibaba), no posted date [online],  
[retrieved Oct. 28, 2022]. Retrieved from internet, [https://www.alibaba.com/product-detail/KSWING-Christmas-Light-Projector-Garden-light\\_1600574884637.html](https://www.alibaba.com/product-detail/KSWING-Christmas-Light-Projector-Garden-light_1600574884637.html) (Year: 2022).\*

(22) Filed: **May 19, 2021**

(51) **LOC (14) Cl.** ..... **26-05**

(52) **U.S. Cl.**  
USPC ..... **D26/93; D26/61**

(58) **Field of Classification Search**  
USPC ..... D26/93, 1, 24, 61, 63, 67-68, 109, 113;  
D14/227

CPC ..... F21W 2121/008; F21W 2121/006; F21V  
21/0824; F21S 6/00; F21S 6/004; F21S  
8/081; F21S 8/03; F21S 8/032; F21S  
8/003; F21S 8/037; F21S 8/002; F21S  
10/007; F21S 10/02

See application file for complete search history.

*Primary Examiner* — Lakiya G Rogers  
*Assistant Examiner* — Michelle K. Lu

(57) **CLAIM**

The ornamental design for a laser projection lamp, as shown and described.

**DESCRIPTION**

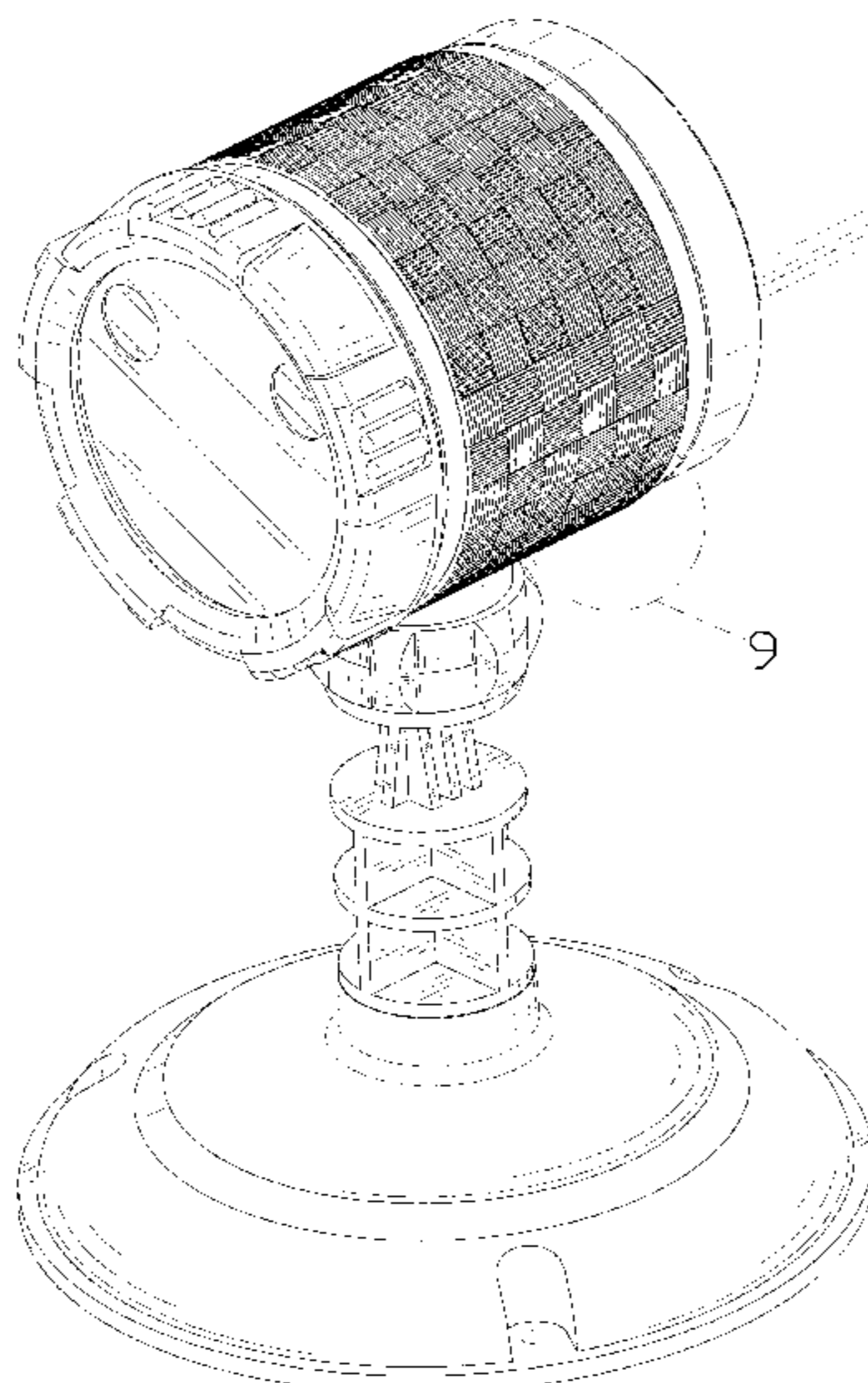
FIG. 1 is a perspective view of a laser projection lamp showing my new design;  
FIG. 2 is another perspective view thereof;  
FIG. 3 is a front elevational view thereof;  
FIG. 4 is a rear elevational view thereof;  
FIG. 5 is a left side elevational view thereof;  
FIG. 6 is a right side elevational view thereof;  
FIG. 7 is a top plan view thereof;  
FIG. 8 is a bottom plan view thereof; and,  
FIG. 9 is an enlarged view of portion 9 shown in FIG. 1.  
The evenly spaced broken lines show portions of the laser projection lamp that form no part of the claim design. The dash-dot broken lines show boundaries of the enlarged portions and form no part of the claimed design.

(56) **References Cited**

**U.S. PATENT DOCUMENTS**

1,423,646 A \* 7/1922 Butler ..... F21V 21/02  
362/406  
D654,605 S \* 2/2012 Chen ..... D26/68  
D766,484 S \* 9/2016 Khubani ..... G03B 21/145  
D26/68  
D836,232 S \* 12/2018 Yang ..... G03B 21/145  
D26/63  
10,175,569 B1 \* 1/2019 Xi ..... G03B 21/145

**1 Claim, 9 Drawing Sheets**



(56)

**References Cited**

U.S. PATENT DOCUMENTS

D919,153 S \* 5/2021 Huang ..... F21V 13/04  
D26/63  
D950,127 S \* 4/2022 Zhong ..... A01M 1/223  
D26/67  
D963,208 S \* 9/2022 Gao ..... F21V 21/02  
D26/24  
2019/0249859 A1\* 8/2019 Lu ..... F21V 13/04  
2020/0390078 A1\* 12/2020 Saboo ..... A01M 1/223

FOREIGN PATENT DOCUMENTS

CN 202130281914.0 \* 10/2021  
EM 008546048-0002 \* 5/2021

\* cited by examiner

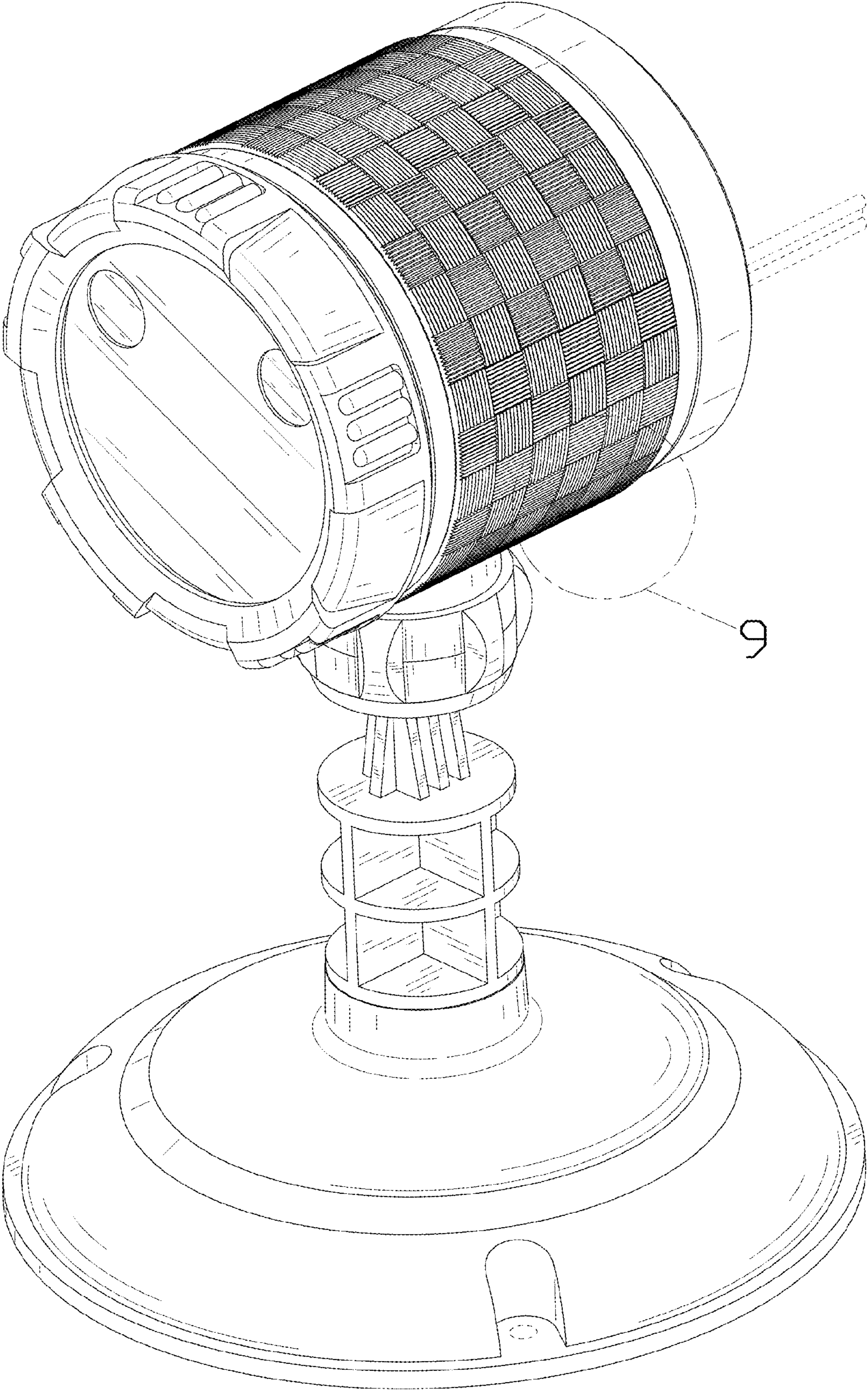


FIG. 1

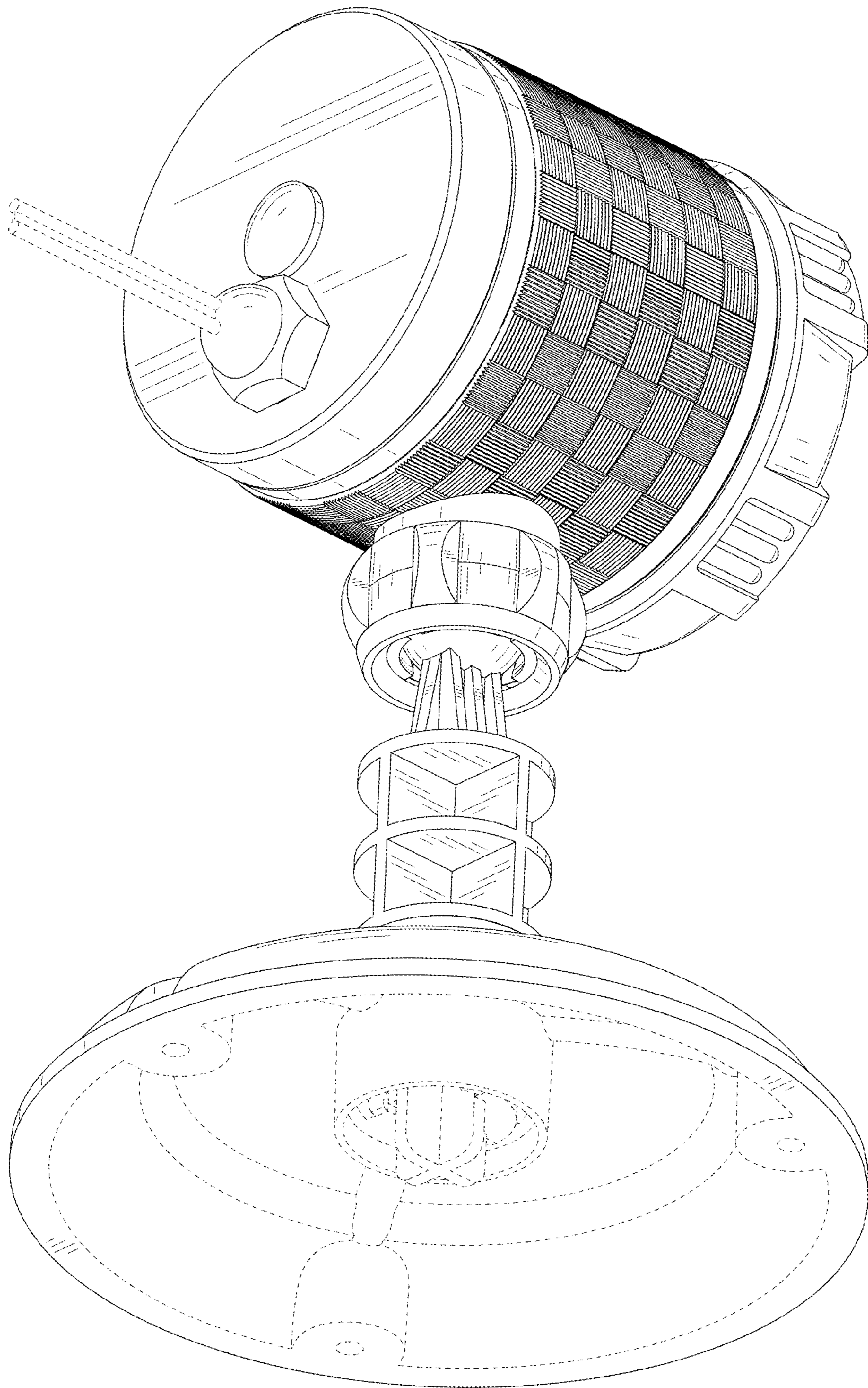


FIG. 2

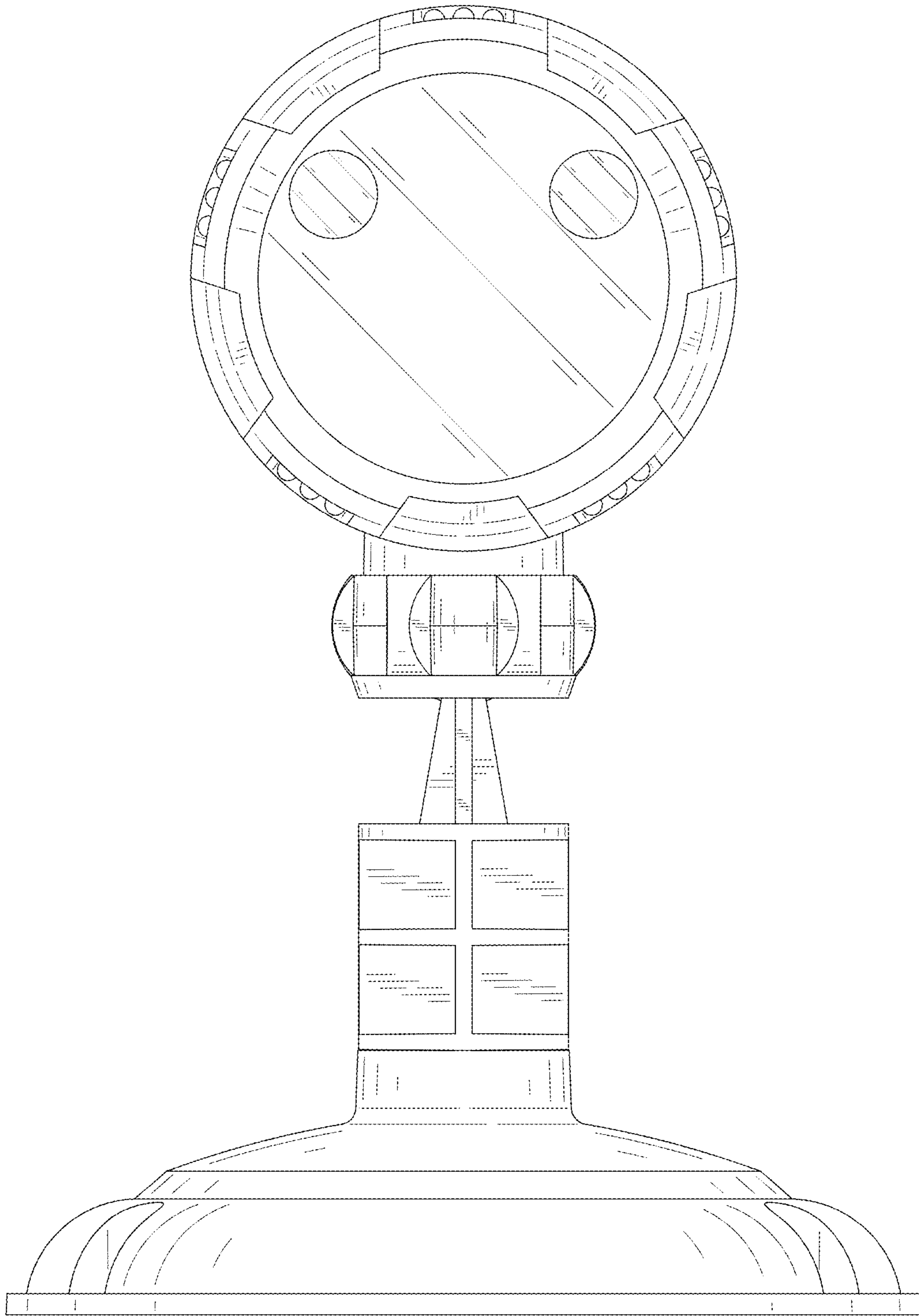


FIG. 3

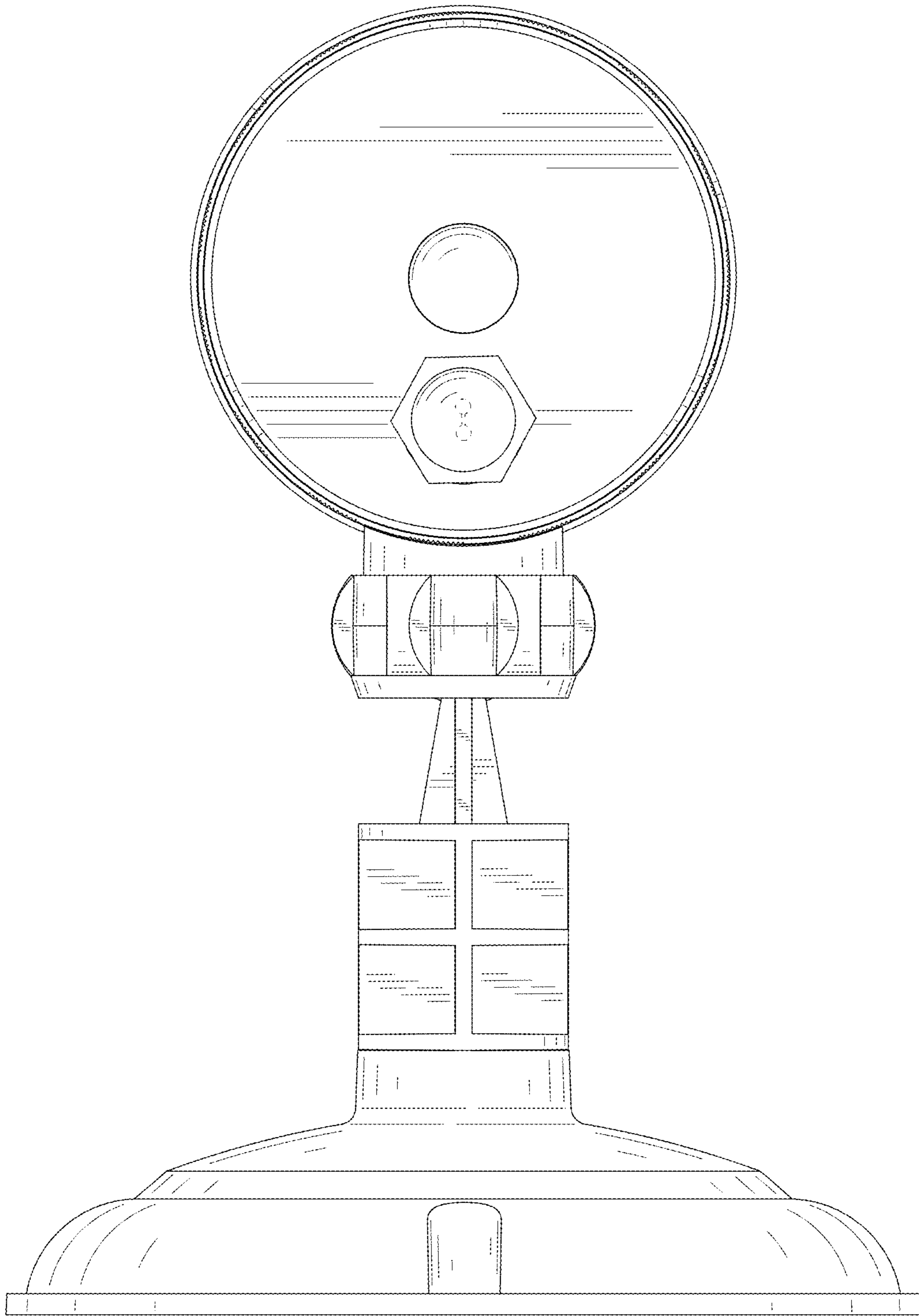


FIG. 4

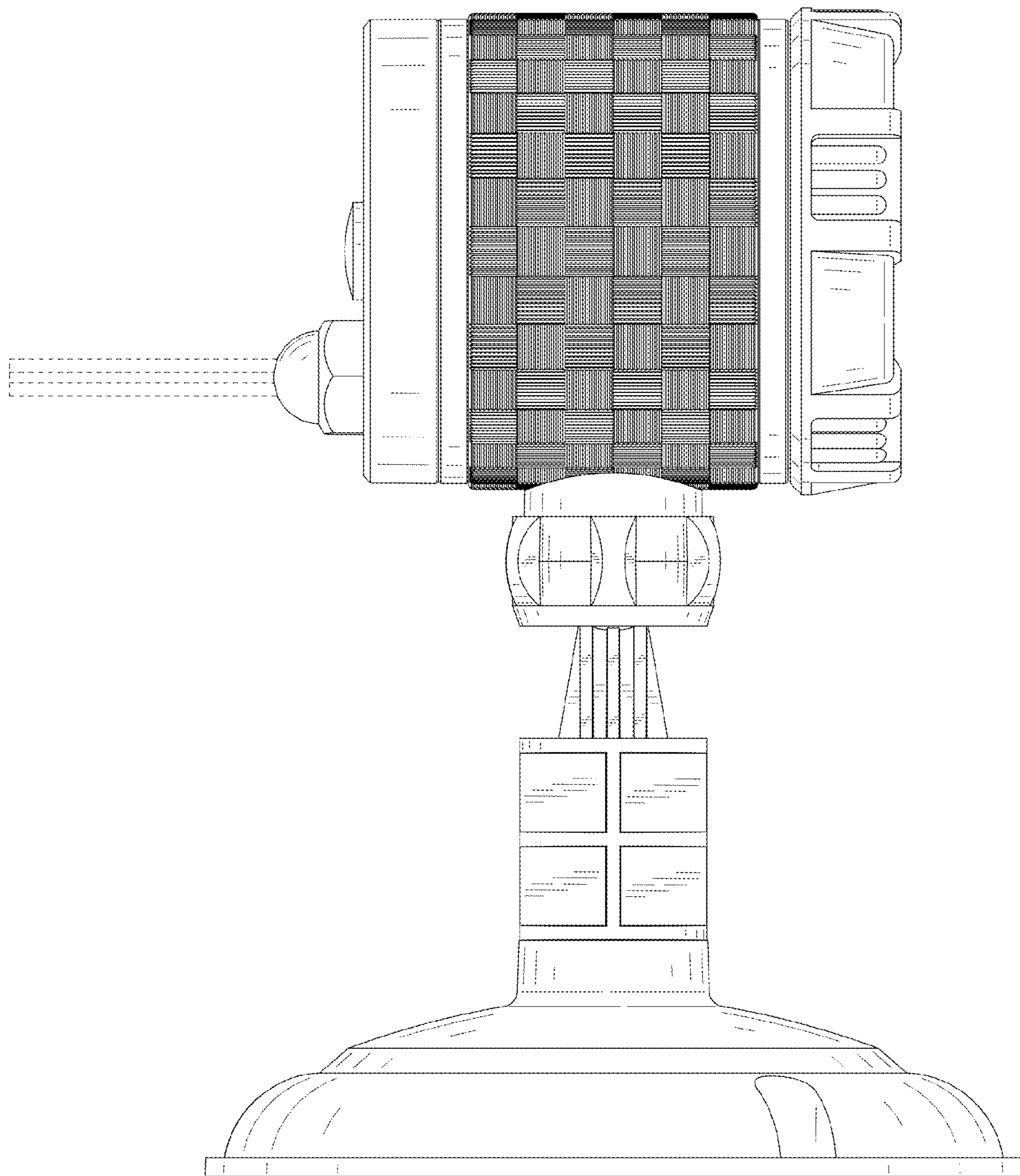


FIG. 5

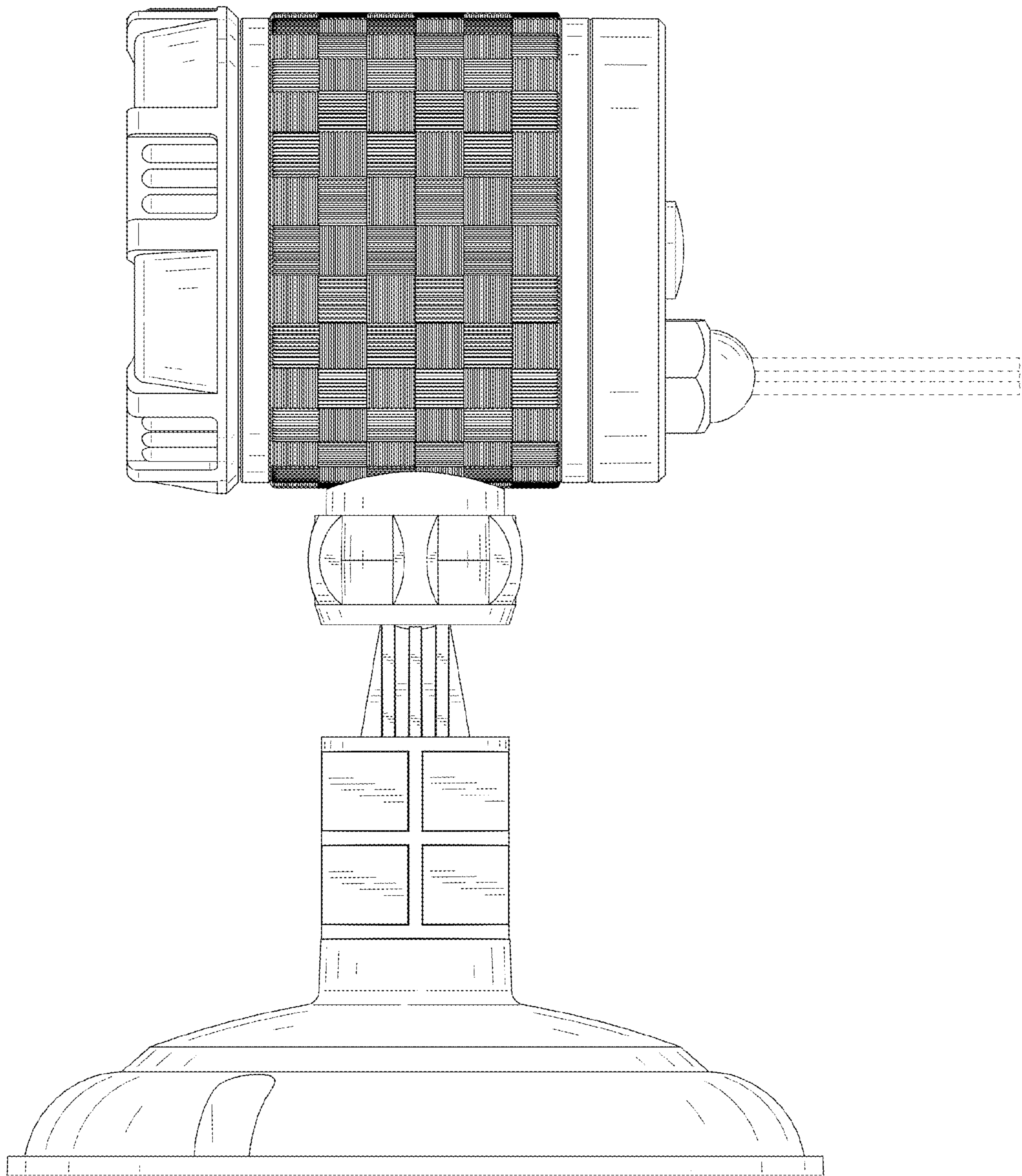


FIG. 6



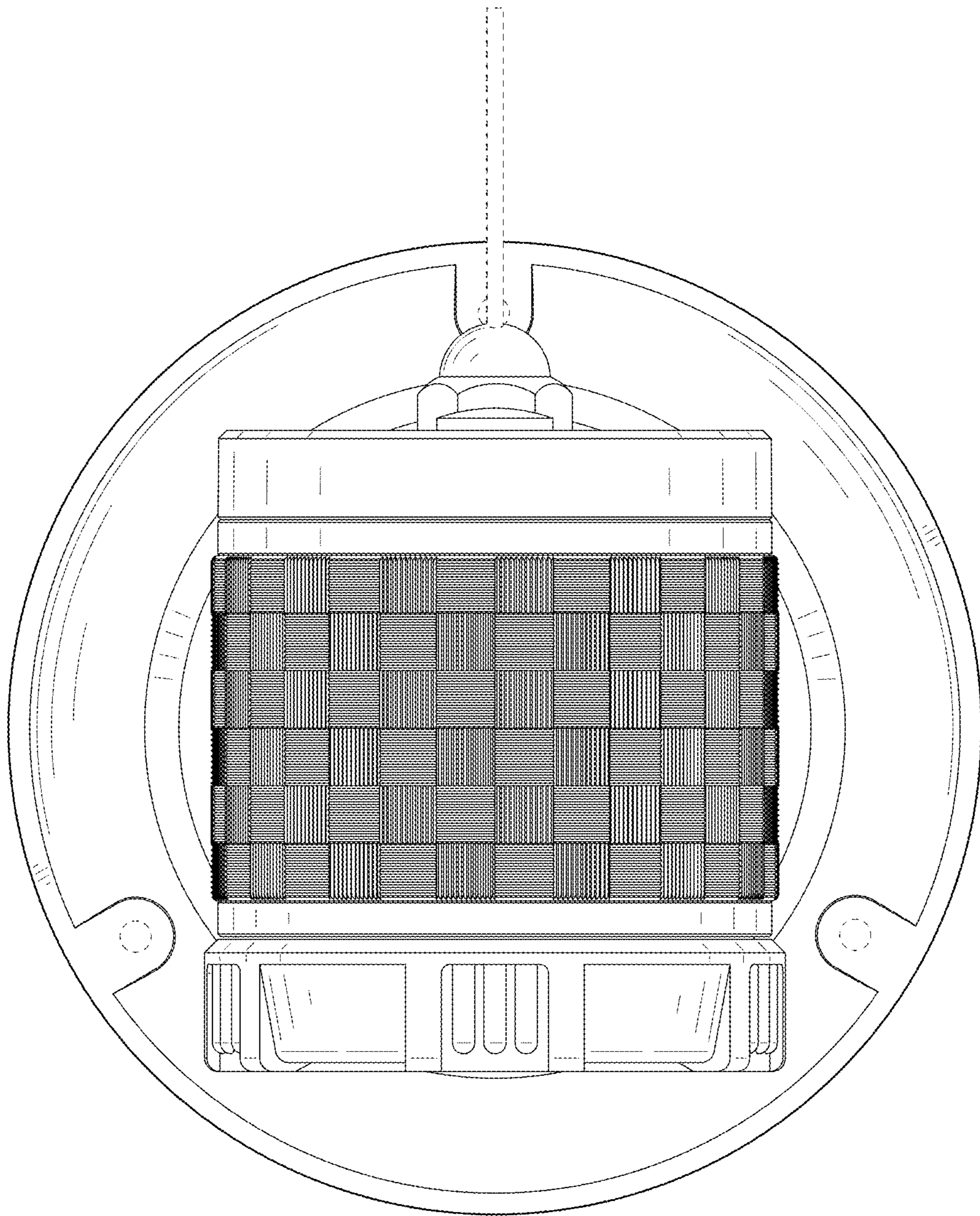


FIG. 7

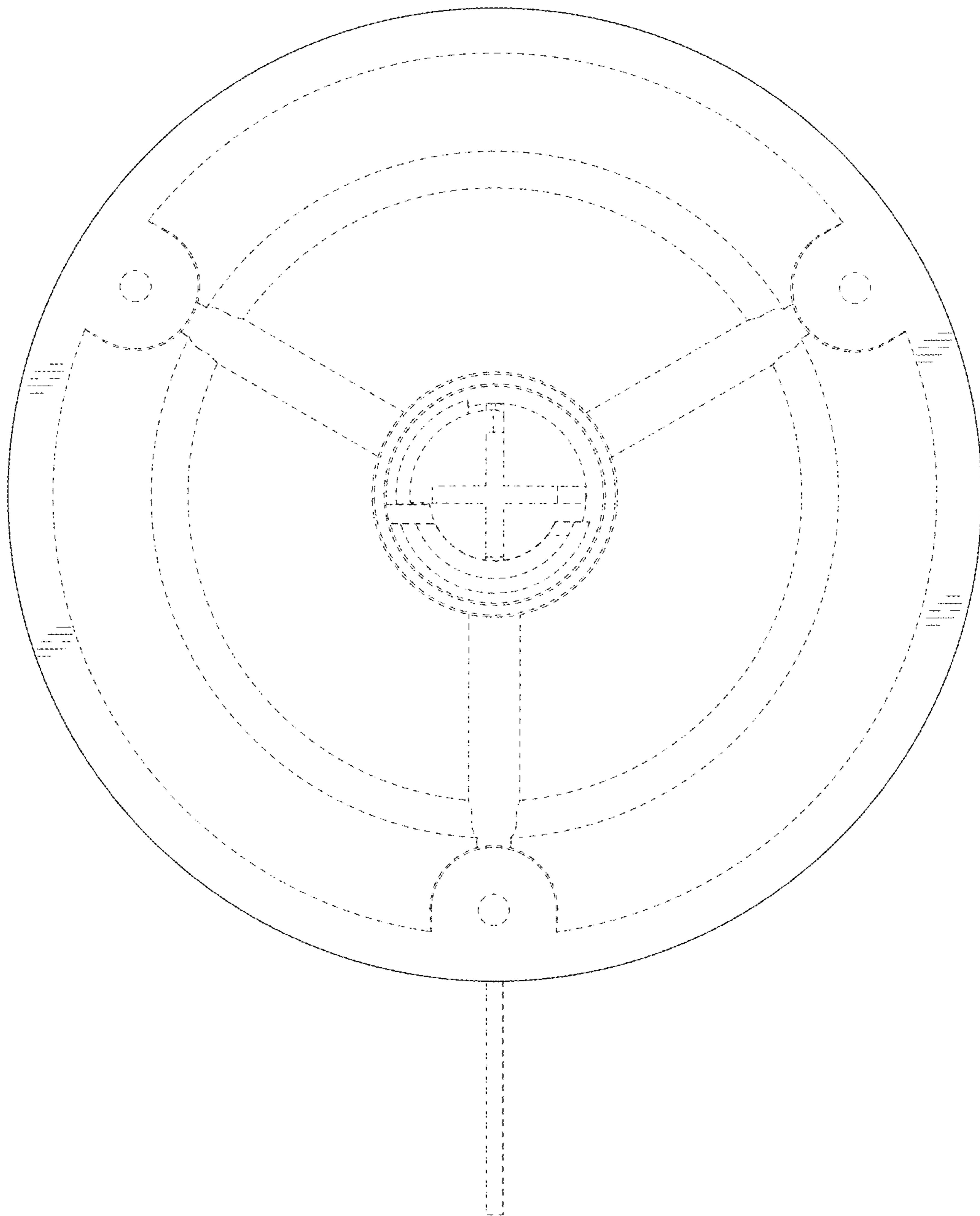


FIG. 8

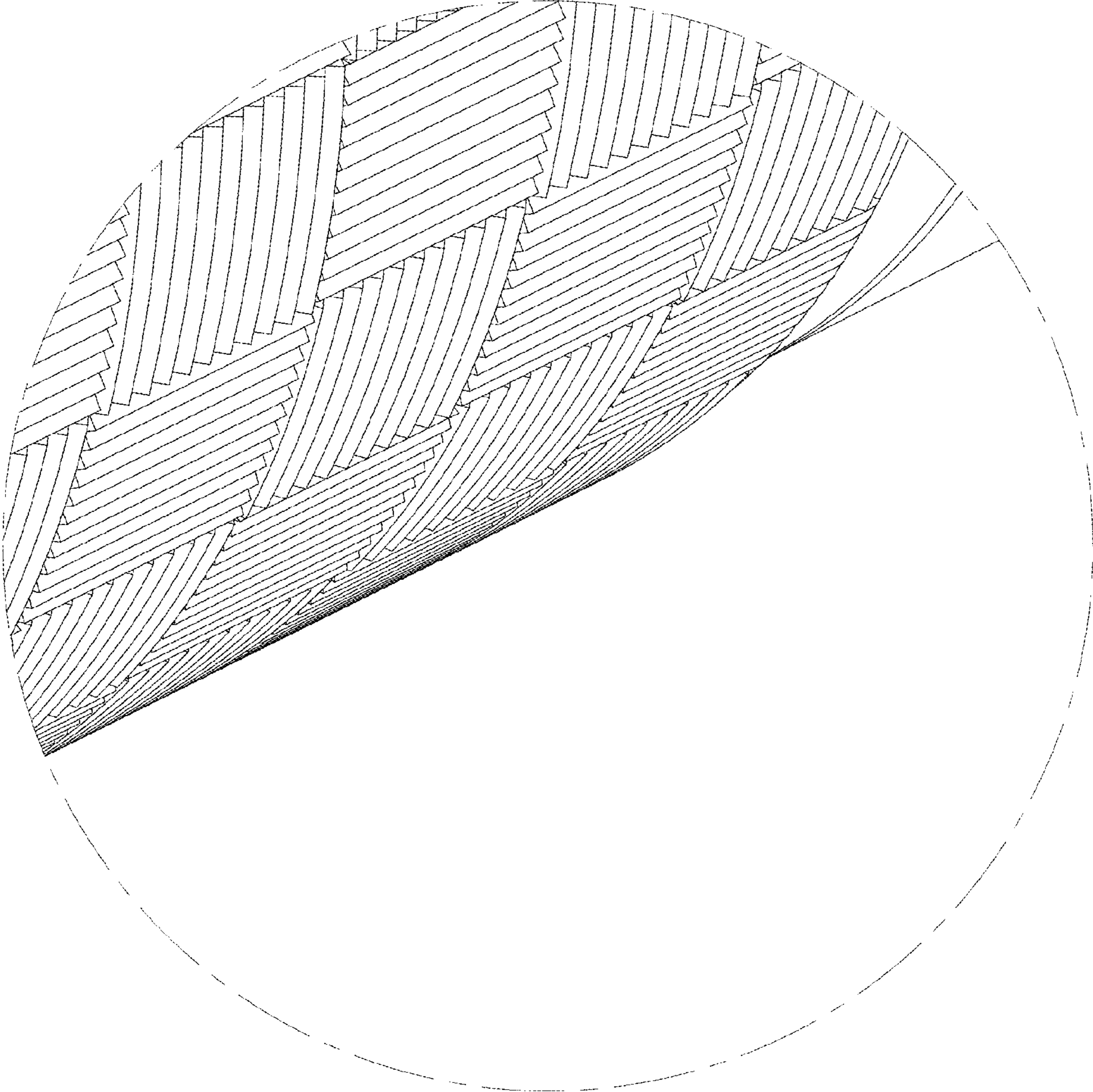


FIG. 9