



US00D982217S

(12) **United States Design Patent**
Chen et al.

(10) **Patent No.:** **US D982,217 S**
(45) **Date of Patent:** **** Mar. 28, 2023**

(54) **LIGHT GUIDING PLATE HAVING V-SHAPED NOTCHES**

(71) Applicant: **LivingStyle Enterprises Limited**,
Dong Guan (CN)

(72) Inventors: **Ming-Yun Chen**, Dong Guan (CN);
Chih-Hung Chen, Dong Guan (CN)

(73) Assignee: **LIVINGSTYLE ENTERPRISES LIMITED**, Dong Guan (CN)

(**) Term: **15 Years**

(21) Appl. No.: **29/719,356**

(22) Filed: **Jan. 3, 2020**

(30) **Foreign Application Priority Data**

Jul. 5, 2019 (CN) 201930356912.6

(51) **LOC (14) Cl.** **26-05**

(52) **U.S. Cl.**
USPC **D26/88; D26/123**

(58) **Field of Classification Search**
USPC D26/24, 25, 28, 60, 61, 72, 74, 75, 76,
D26/78, 80, 82, 88, 85, 87, 89, 90,
D26/106-109, 113, 118, 128
CPC F21S 8/00; F21S 8/02; F21S 8/026; F21S
8/033; F21S 8/038; F21S 8/04; F21S
8/06; F21S 8/061; F21S 8/062; F21S
8/063; F21S 8/066; F21S 4/00; F21S
4/10; F21S 4/15; F21S 4/20; F21S 4/24;
F21S 4/26
See application file for complete search history.

(56) **References Cited**

U.S. PATENT DOCUMENTS

2,121,132 A * 6/1938 Ryder G02B 5/126
359/545
D117,834 S * 11/1939 Levy D26/122

D192,045 S * 1/1962 Bordinat D26/123
3,382,819 A * 5/1968 Davidson F21V 33/0012
248/327
D226,395 S * 2/1973 Dorman 359/743
6,184,972 B1 * 2/2001 Mizutani G03F 7/7075
269/21
D465,872 S * 11/2002 Cacaci D26/90
D468,051 S * 12/2002 Gaskins D26/139
D716,490 S * 10/2014 De Bevilacqua D26/90
D721,200 S * 1/2015 Kim D26/122

(Continued)

FOREIGN PATENT DOCUMENTS

CN 306048828 * 9/2020

Primary Examiner — Richard Kearney

(74) *Attorney, Agent, or Firm* — WPAT, PC

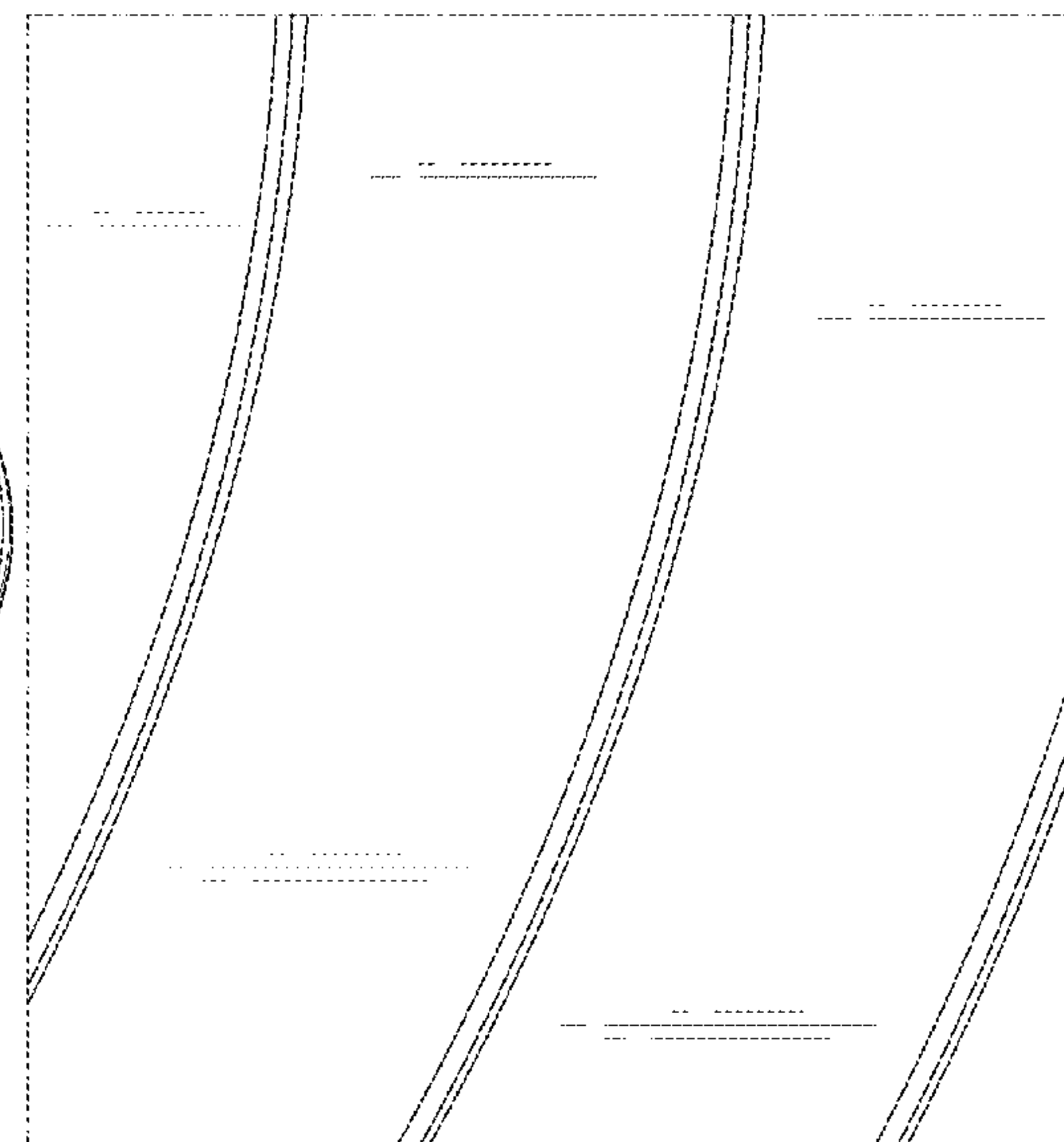
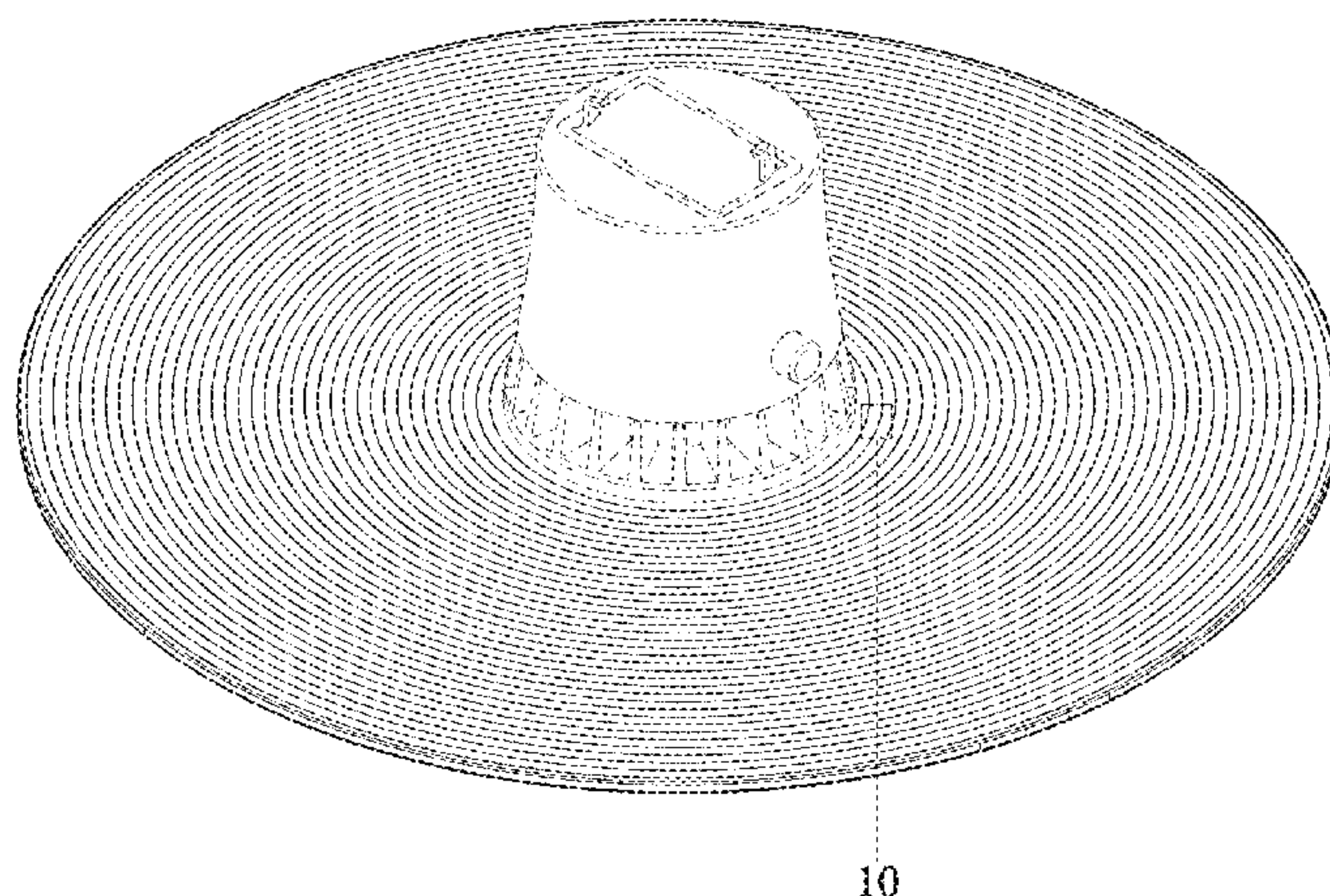
(57) **CLAIM**

The ornamental design for a light guiding plate having V-shaped notches, as shown and described.

DESCRIPTION

FIG. 1 is a perspective view of the light guiding plate having V-shaped notches showing a new design;
FIG. 2 is another perspective view thereof;
FIG. 3 is a front view thereof shown in FIG. 1;
FIG. 4 is a rear view thereof;
FIG. 5 is a left side view thereof;
FIG. 6 is a right side view thereof;
FIG. 7 is a top view thereof;
FIG. 8 is a bottom view thereof;
FIG. 9 is a sectional view of the section-line 9-9 shown in FIG. 7;
FIG. 10 is an enlarged view of the area 10 shown in FIG. 1; and,
FIG. 11 is an enlarged view of the area 11 shown in FIG. 9.
The broken lines shown in the drawings illustrate environmental structure and form no part of the claimed design.

1 Claim, 11 Drawing Sheets



(56)

References Cited

U.S. PATENT DOCUMENTS

D889,726 S * 7/2020 Gismondi D26/88
2007/0058394 A1* 3/2007 Yu G02B 6/0038
362/615
2021/0088709 A1* 3/2021 Gismondi F21V 29/70

* cited by examiner

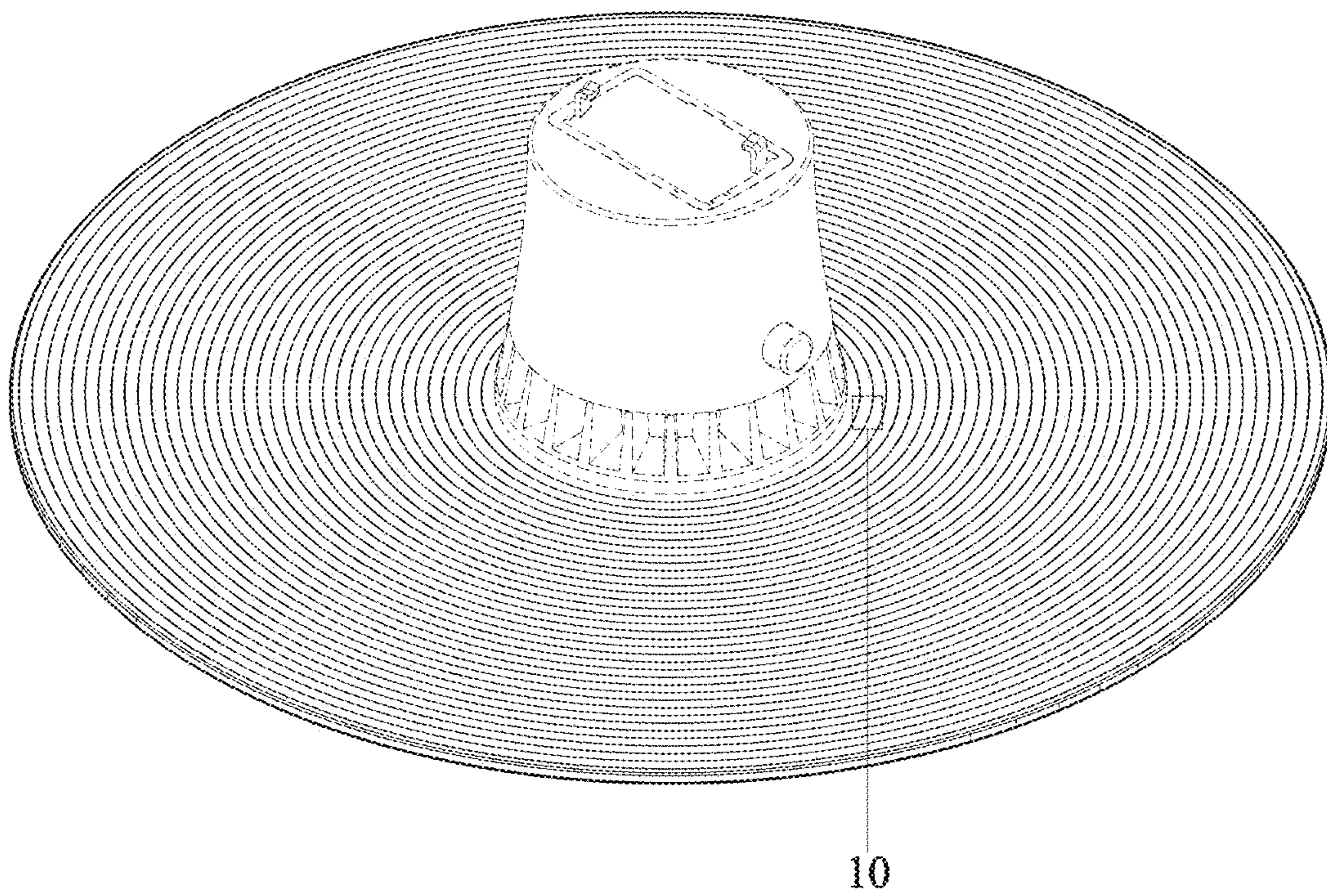


Fig. 1

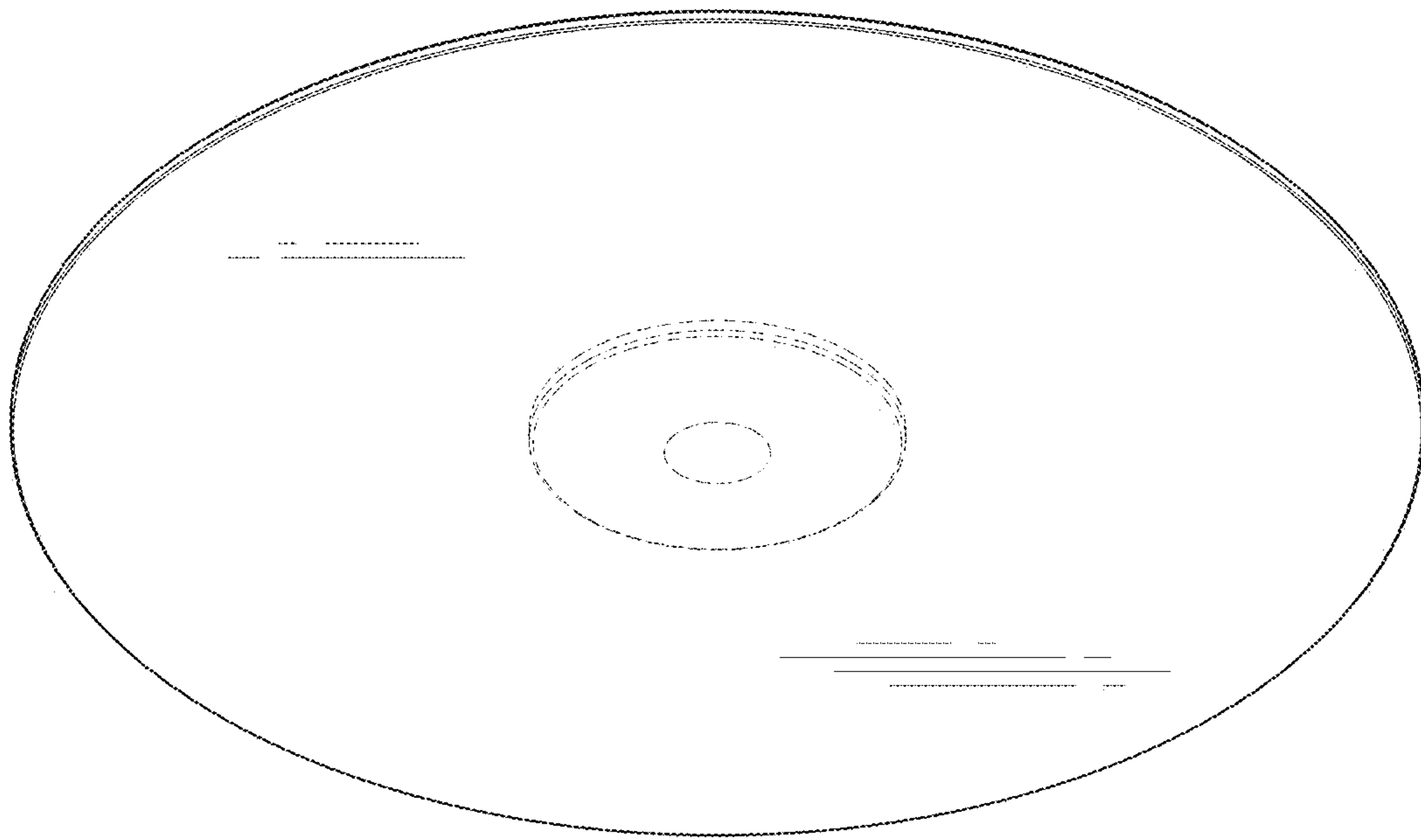


Fig. 2

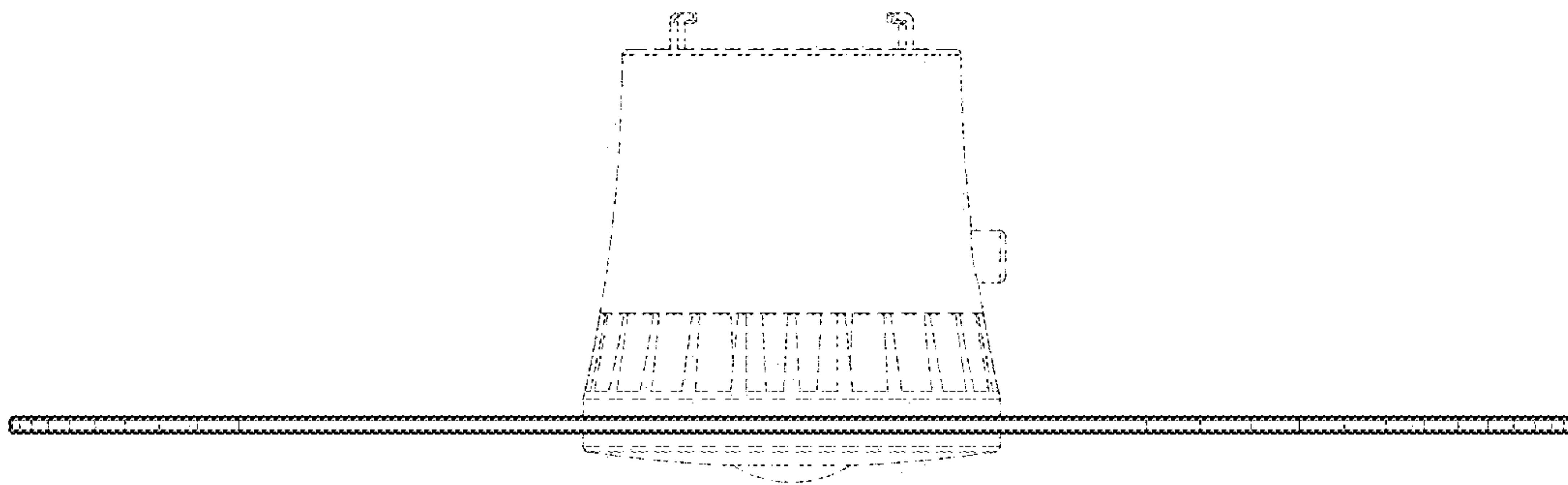


Fig. 3

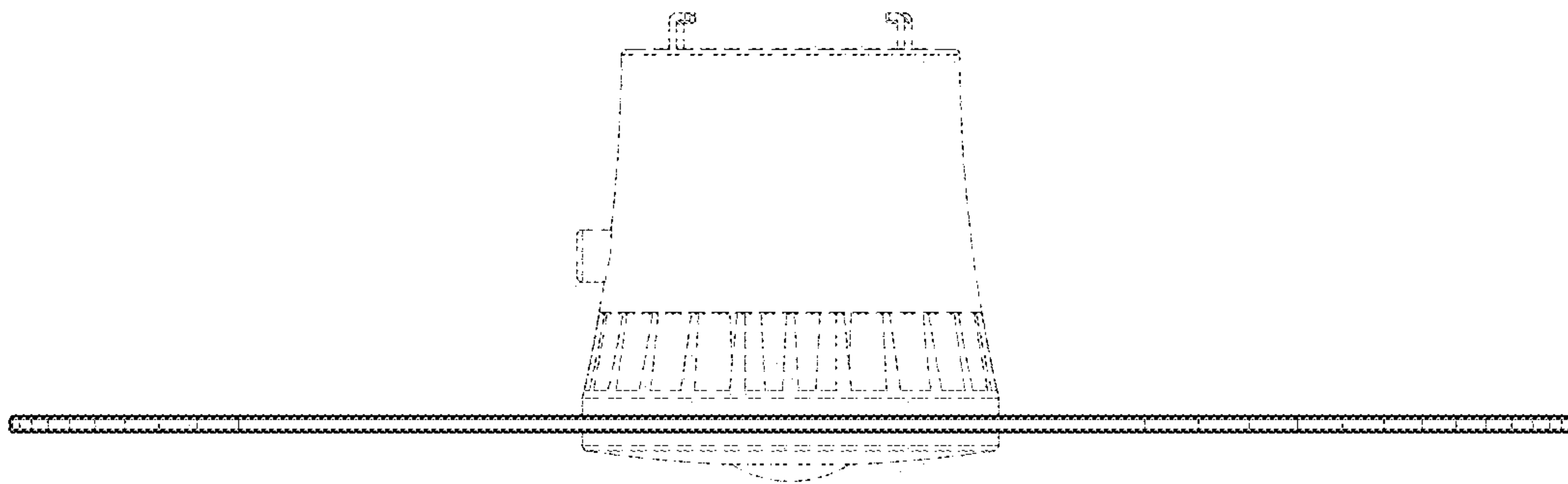


Fig. 4

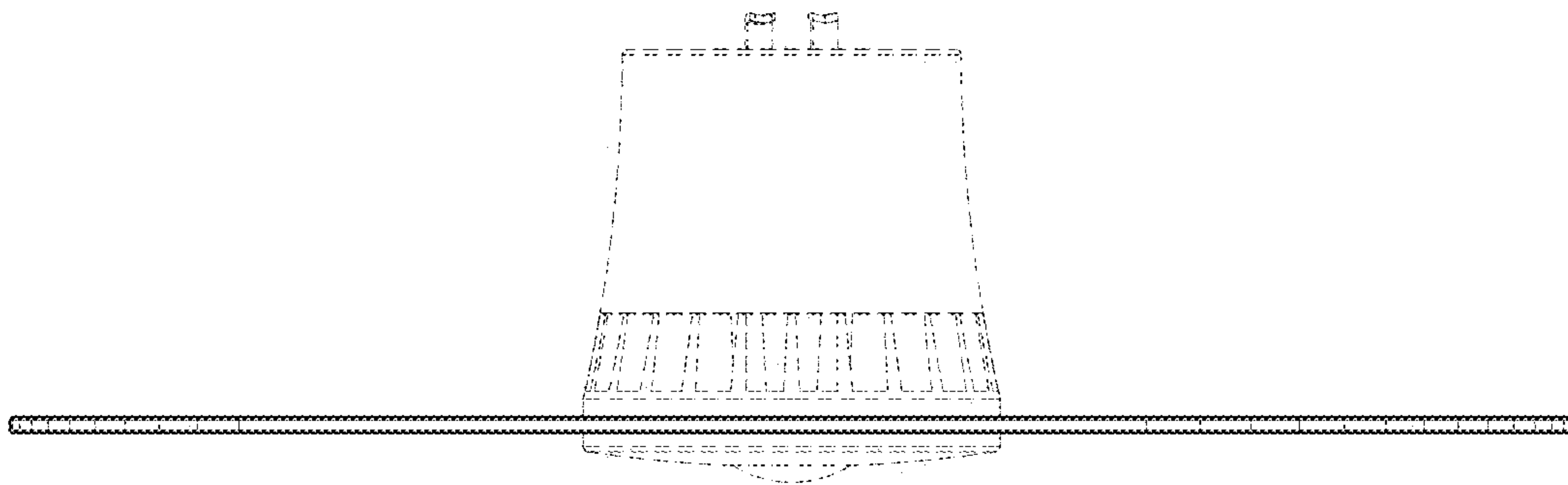


Fig. 5

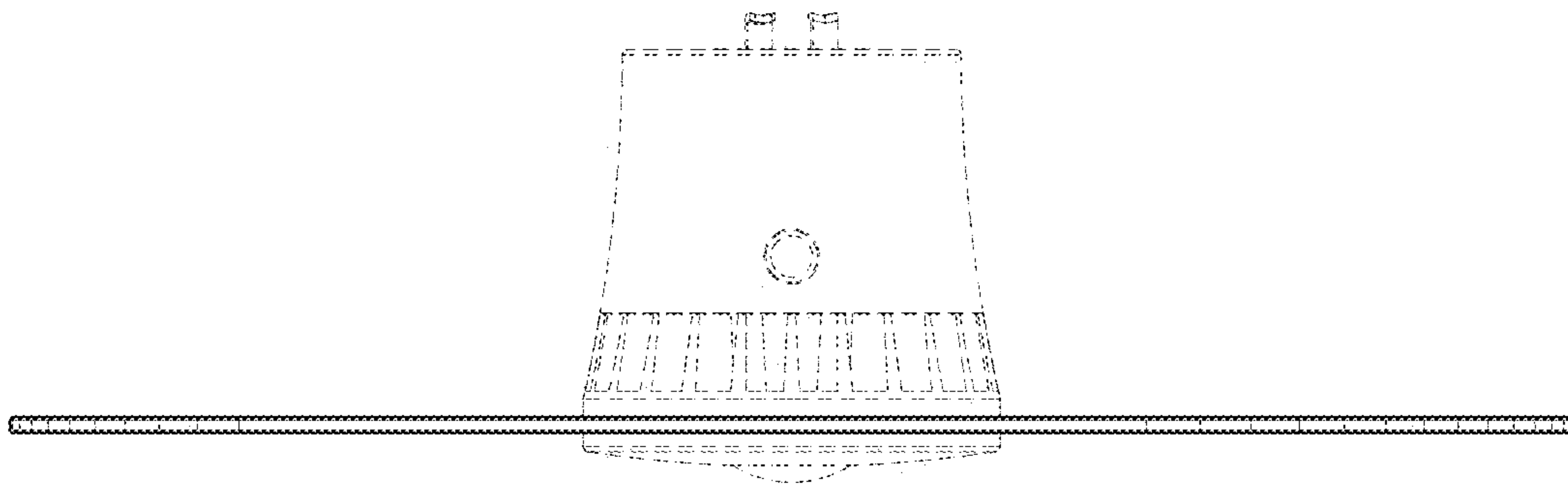


Fig. 6

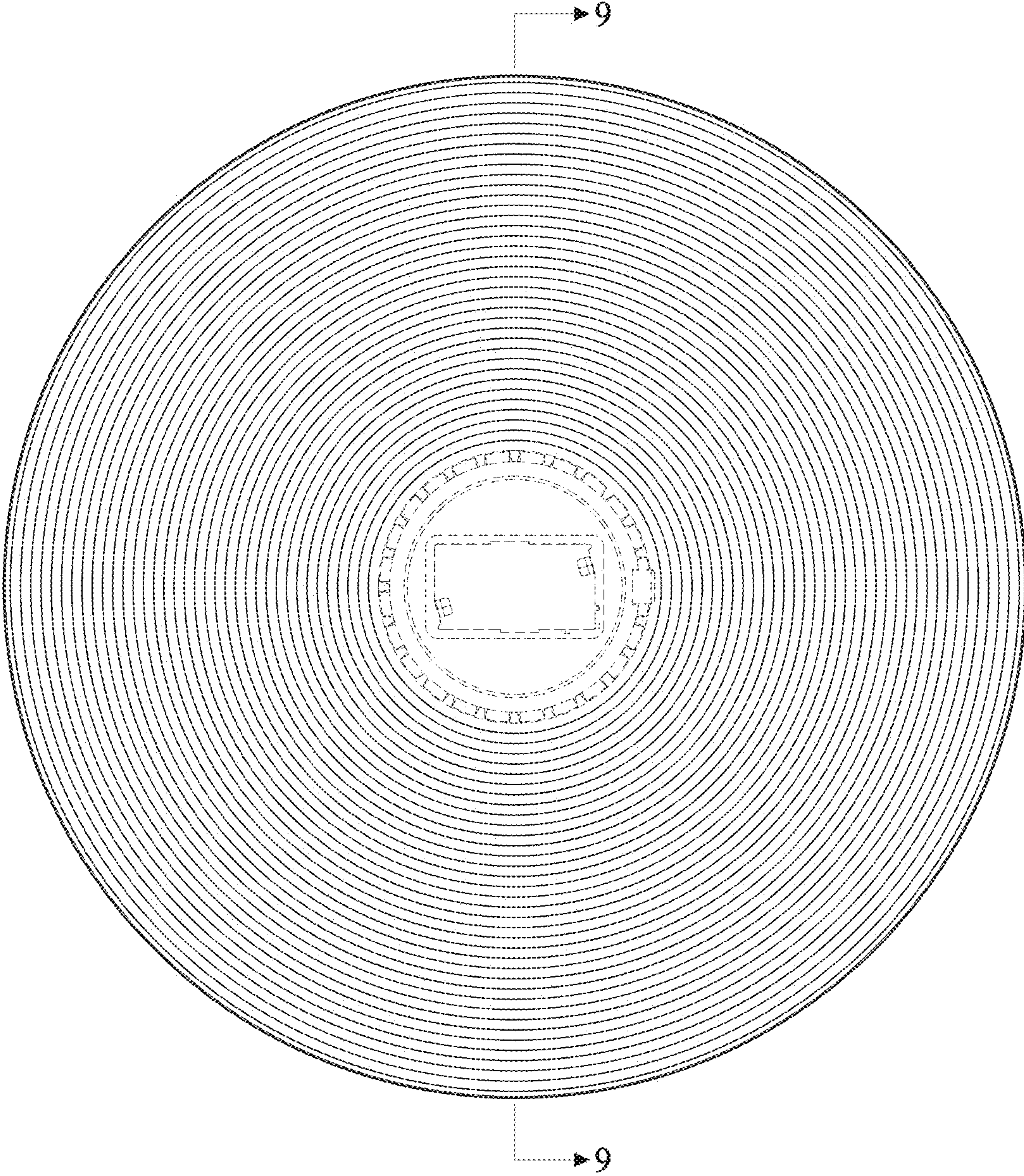


Fig. 7

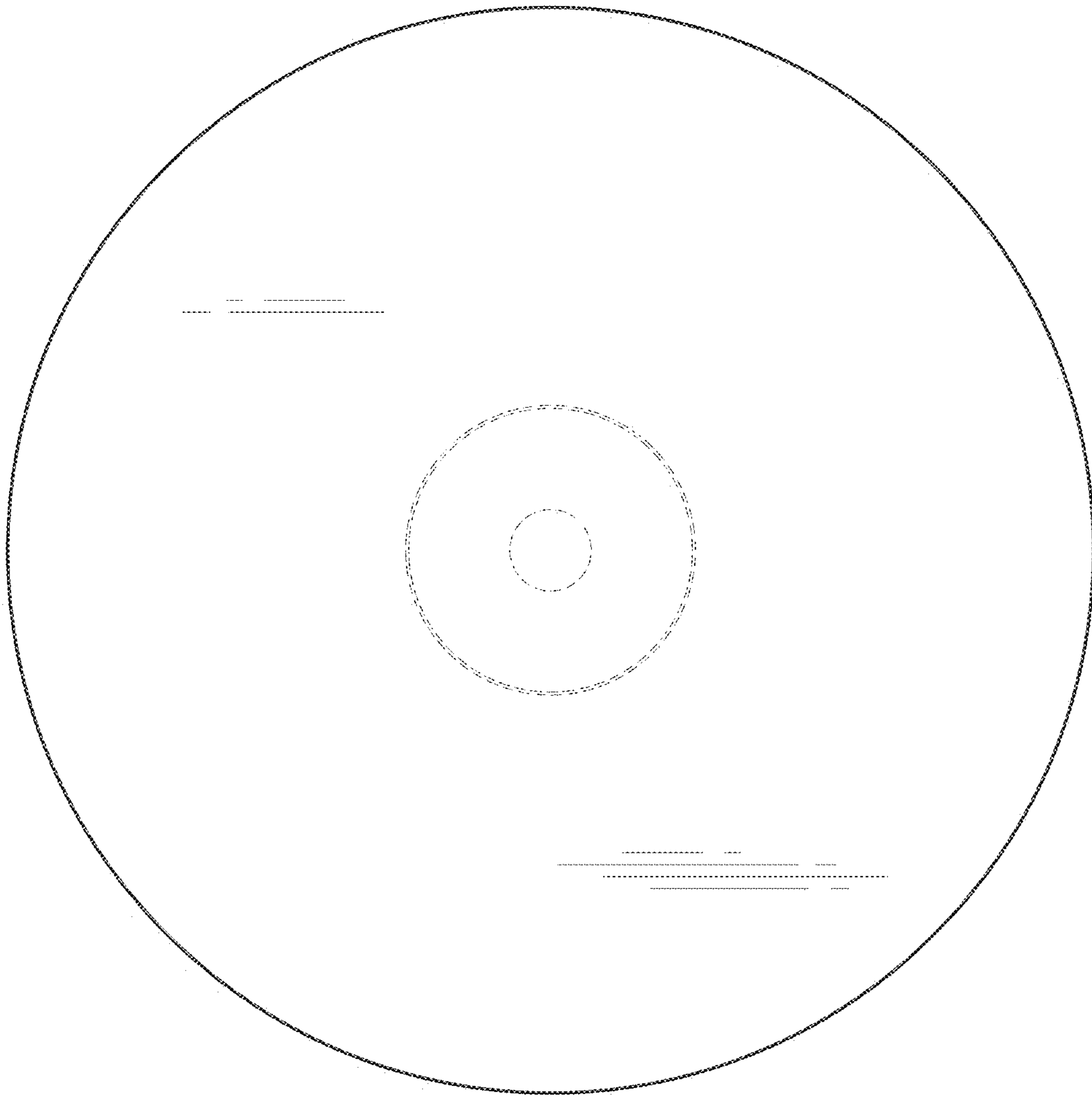


Fig. 8

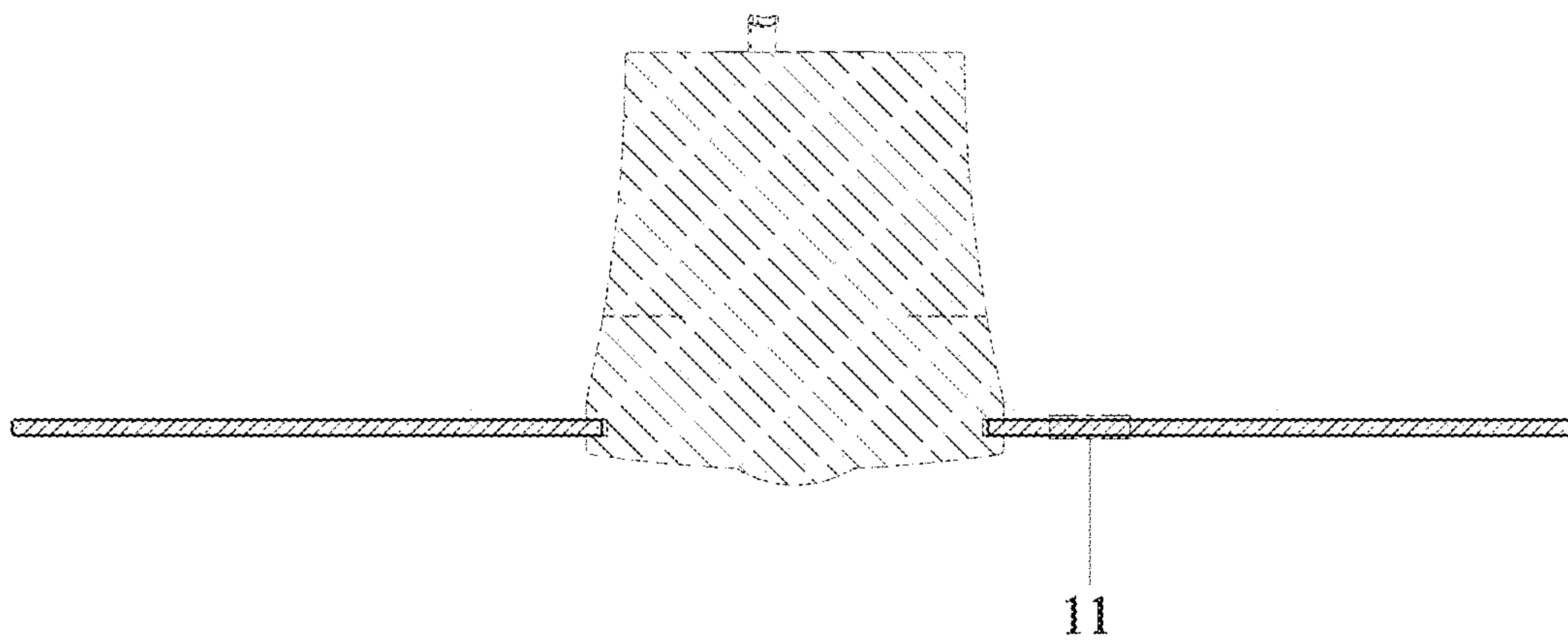


Fig. 9



Fig. 10

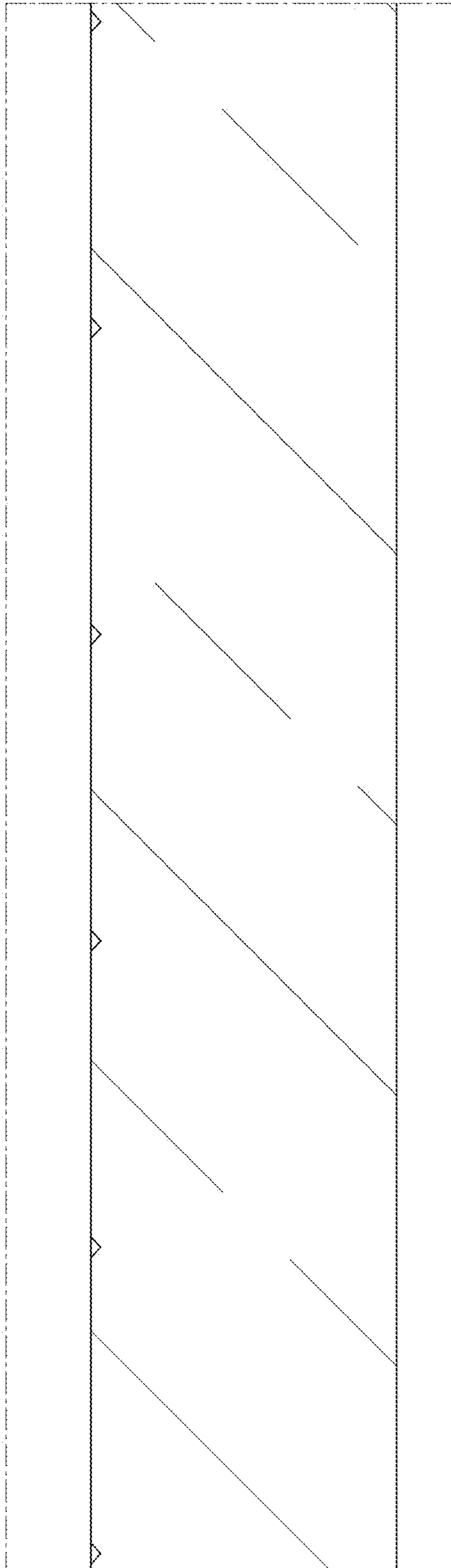


Fig. 11