



US00D982216S

(12) **United States Design Patent**  
**Chen et al.**

(10) **Patent No.:** **US D982,216 S**  
(45) **Date of Patent:** **\*\* Mar. 28, 2023**

(54) **LIGHT GUIDING PLATE HAVING V-SHAPED NOTCHES**

(71) Applicant: **LivingStyle Enterprises Limited,**  
Dong Guan (CN)

(72) Inventors: **Ming-Yun Chen,** Dong Guan (CN);  
**Chih-Hung Chen,** Dong Guan (CN)

(73) Assignee: **LIVINGSTYLE ENTERPRISES LIMITED,** Dong Guan (CN)

(\*\*) Term: **15 Years**

(21) Appl. No.: **29/719,351**

(22) Filed: **Jan. 3, 2020**

(30) **Foreign Application Priority Data**

Jul. 5, 2019 (CN) ..... 201930356203.8

(51) **LOC (14) Cl.** ..... **26-05**

(52) **U.S. Cl.**  
USPC ..... **D26/88; D26/123**

(58) **Field of Classification Search**  
USPC ..... D26/24, 25, 28, 60, 61, 72, 74, 75, 76,  
D26/78, 80, 82, 88, 85, 87, 89, 90,  
D26/106-109, 113, 118, 128  
CPC ..... F21S 8/00; F21S 8/02; F21S 8/026; F21S  
8/033; F21S 8/038; F21S 8/04; F21S  
8/06; F21S 8/061; F21S 8/062; F21S  
8/063; F21S 8/066; F21S 4/00; F21S  
4/10; F21S 4/15; F21S 4/20; F21S 4/24;  
F21S 4/26  
See application file for complete search history.

(56) **References Cited**

**U.S. PATENT DOCUMENTS**

2,121,132 A \* 6/1938 Ryder ..... G02B 5/126  
359/545  
D117,834 S \* 11/1939 Levy ..... D26/122

D192,045 S \* 1/1962 Bordinat ..... D26/123  
3,382,819 A \* 5/1968 Davidson ..... F21V 33/0012  
248/327  
D226,395 S \* 2/1973 Dorman ..... 359/743  
6,184,972 B1 \* 2/2001 Mizutani ..... G03F 7/7075  
269/21  
D465,872 S \* 11/2002 Cacaci ..... D26/90  
D468,051 S \* 12/2002 Gaskins ..... D26/139  
D716,490 S \* 10/2014 De Bevilacqua ..... D26/90  
D721,200 S \* 1/2015 Kim ..... D26/122

(Continued)

**FOREIGN PATENT DOCUMENTS**

CN 306048828 \* 9/2020

*Primary Examiner* — Richard Kearney

(74) *Attorney, Agent, or Firm* — WPAT, PC

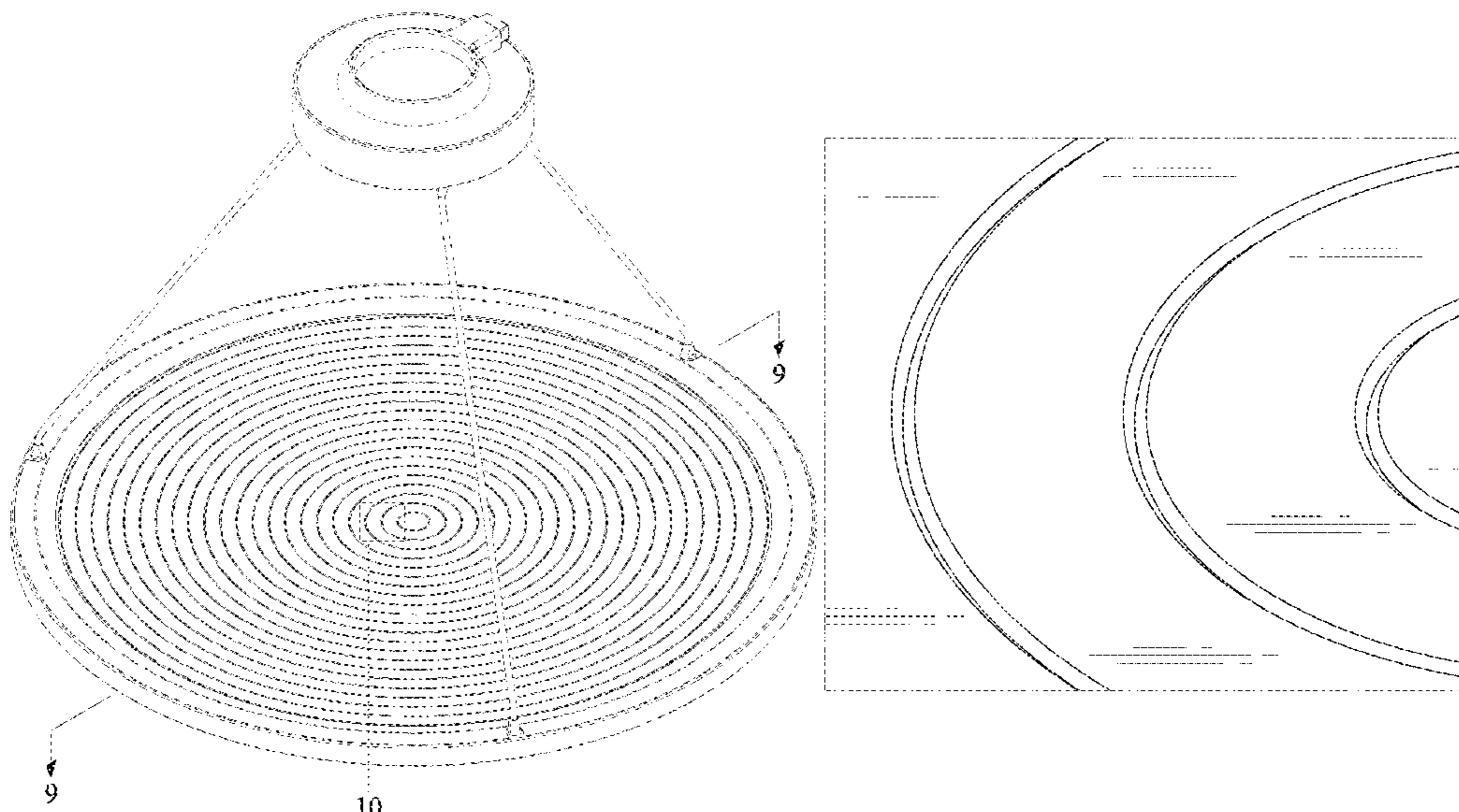
(57) **CLAIM**

The ornamental design for a light guiding plate having V-shaped notches, as shown and described in the drawings.

**DESCRIPTION**

FIG. 1 is a perspective view of the light guiding plate having V-shaped notches showing a new design;  
FIG. 2 is another perspective view thereof;  
FIG. 3 is a front view thereof shown in FIG. 1;  
FIG. 4 is a rear view thereof;  
FIG. 5 is a left side view thereof;  
FIG. 6 is a right side view thereof;  
FIG. 7 is a top view thereof;  
FIG. 8 is a bottom view thereof;  
FIG. 9 is a sectional view of the section-line 9-9 shown in FIG. 1;  
FIG. 10 is an enlarged view of the area 10 shown in FIG. 1; and,  
FIG. 11 is an enlarged view of the area 11 shown in FIG. 9. The broken lines shown in the drawings illustrate environmental structure and form no part of the claimed design.

**1 Claim, 11 Drawing Sheets**



(56)

**References Cited**

U.S. PATENT DOCUMENTS

D889,726 S \* 7/2020 Gismondi ..... D26/88  
2007/0058394 A1\* 3/2007 Yu ..... G02B 6/0038  
362/615  
2021/0088709 A1\* 3/2021 Gismondi ..... F21V 29/70

\* cited by examiner

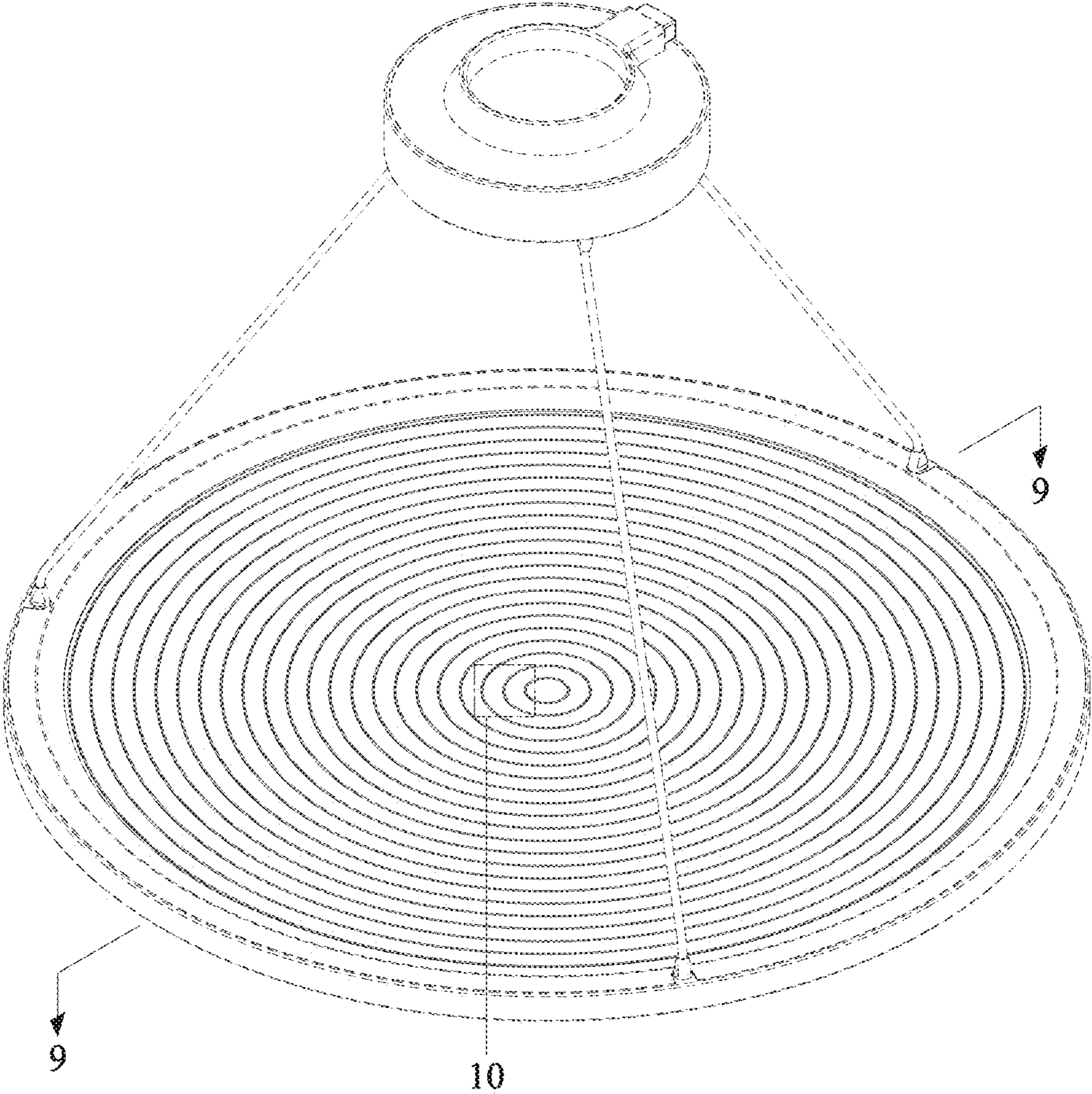
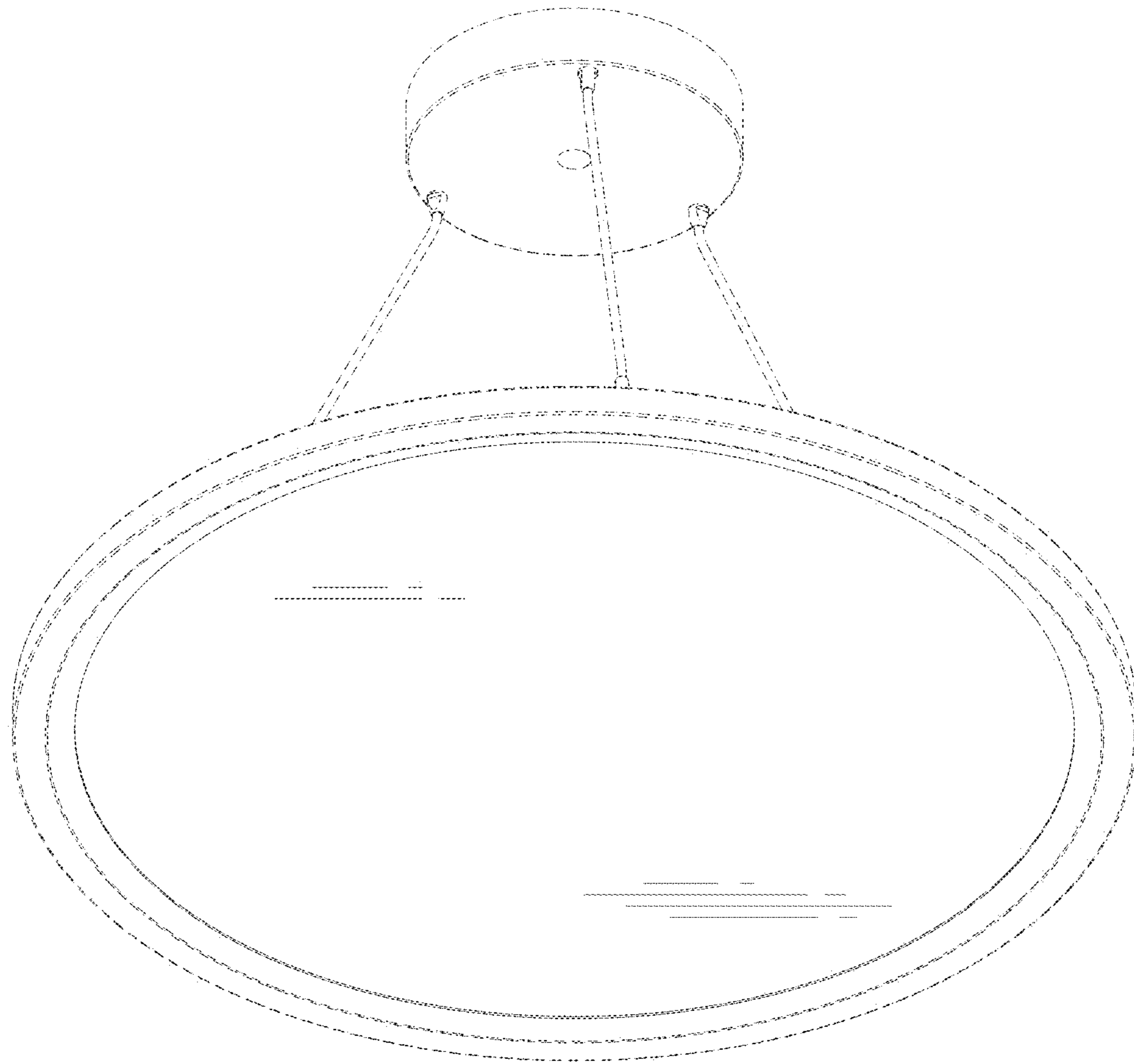


Fig. 1



*Fig. 2*

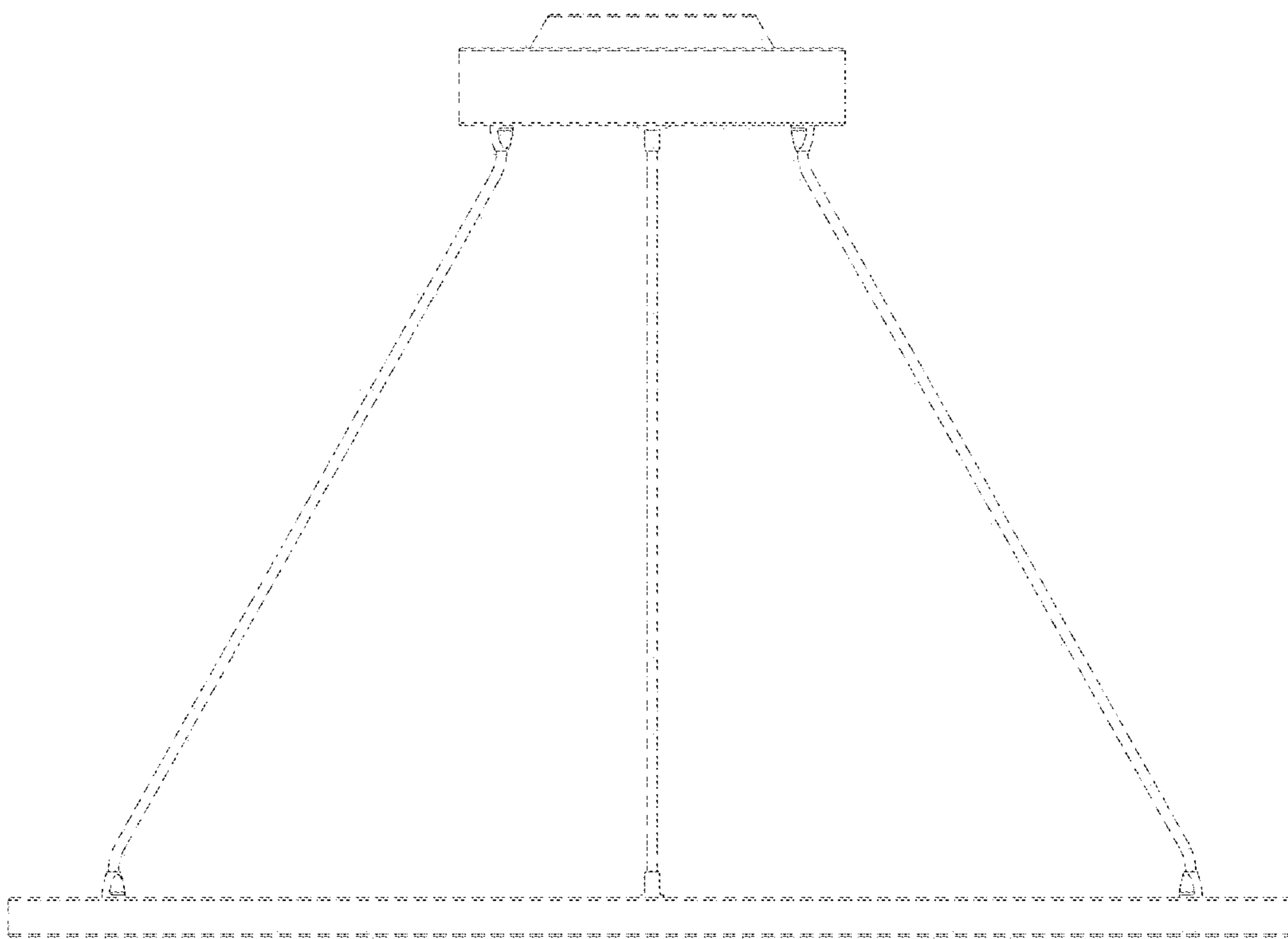


FIG. 3

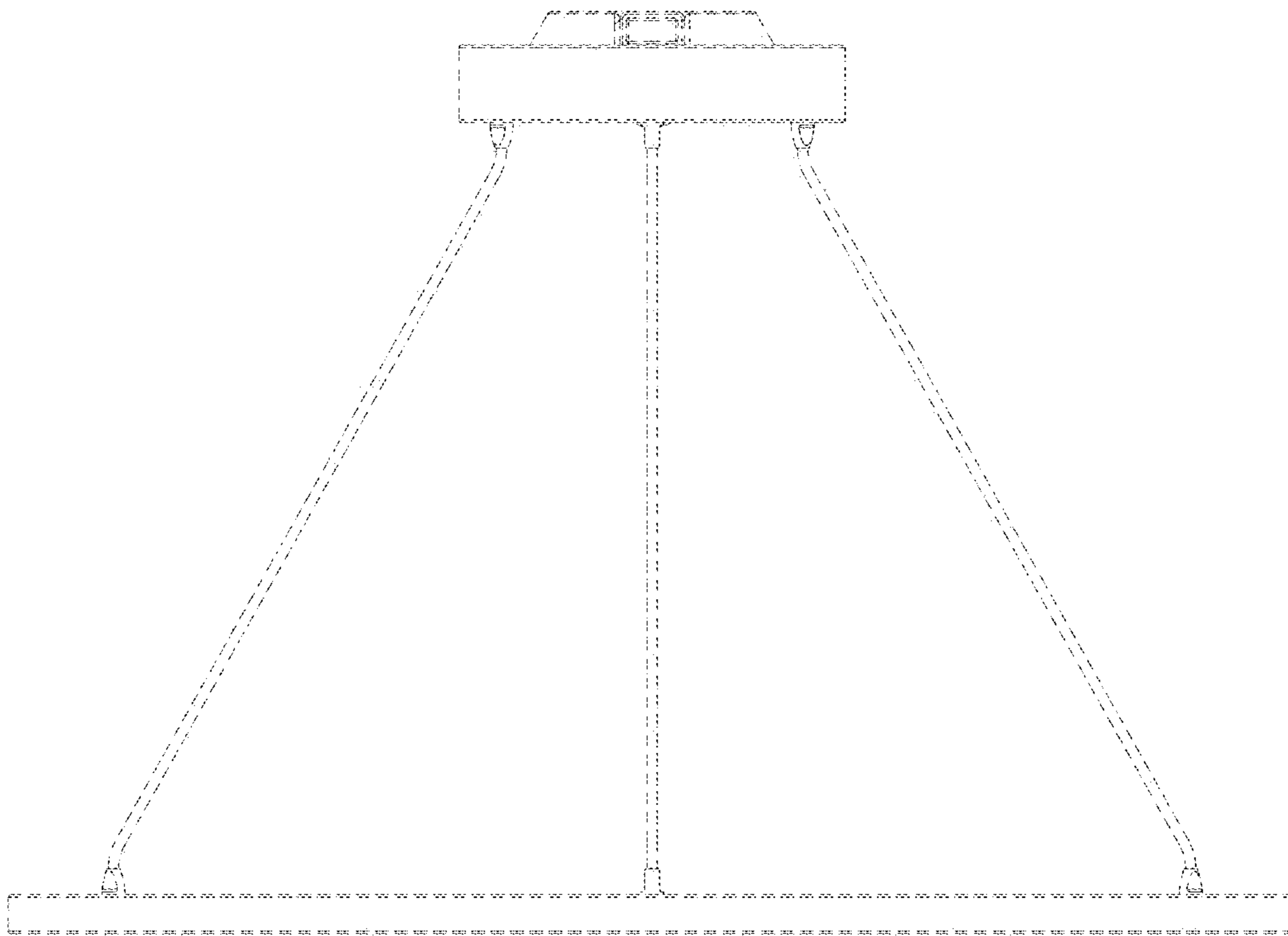


FIG. 4

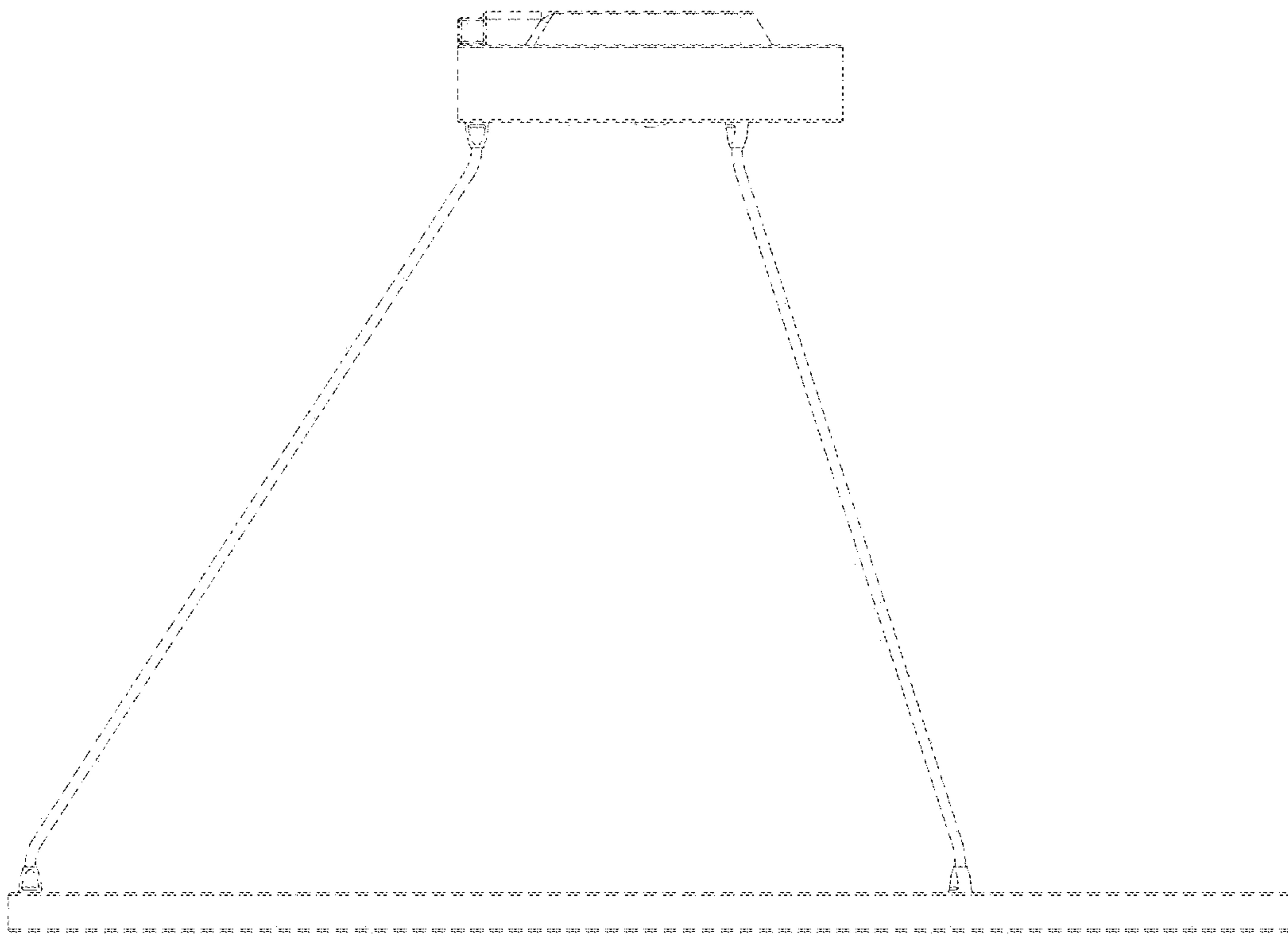


FIG. 5

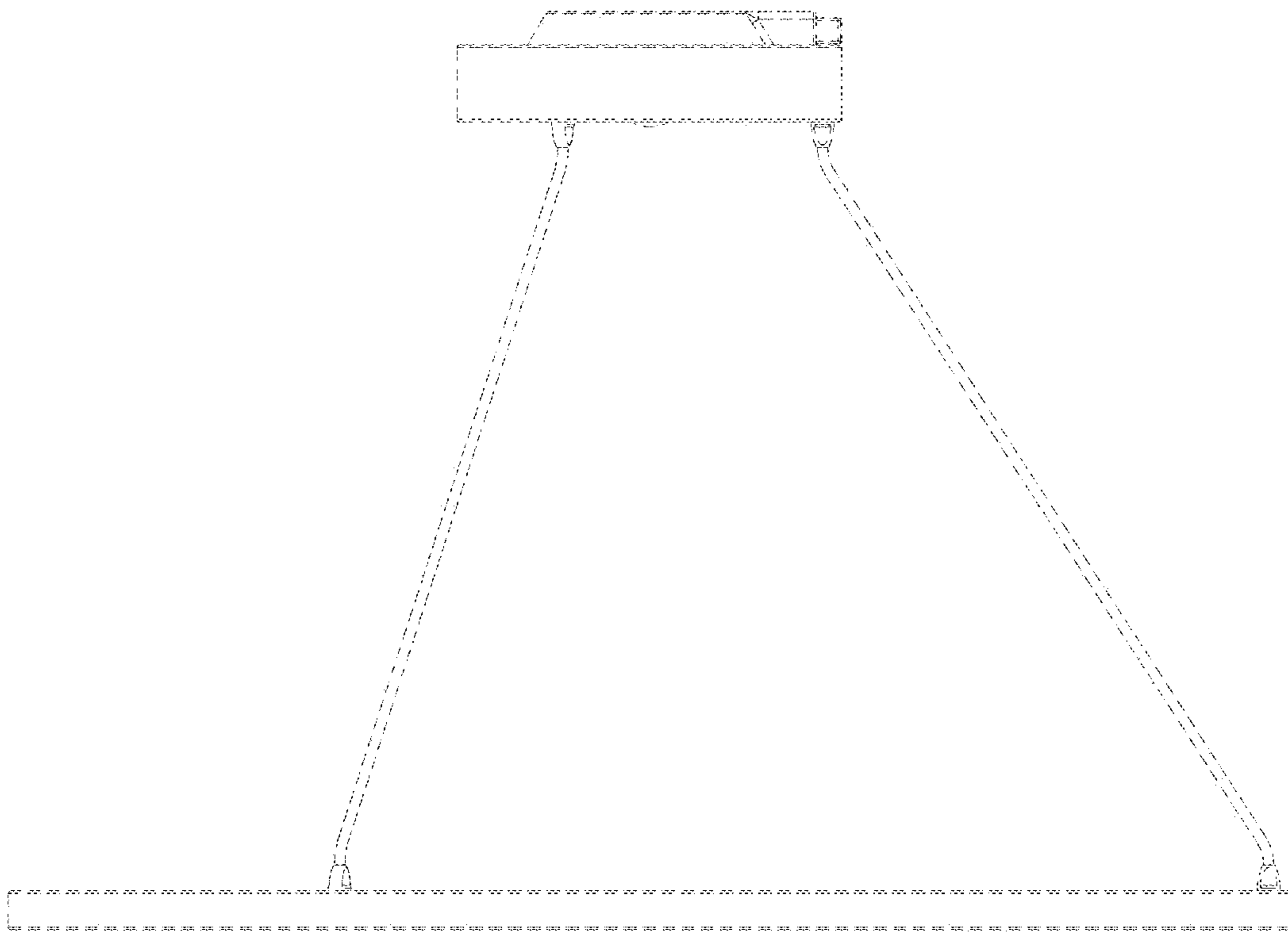


FIG. 6



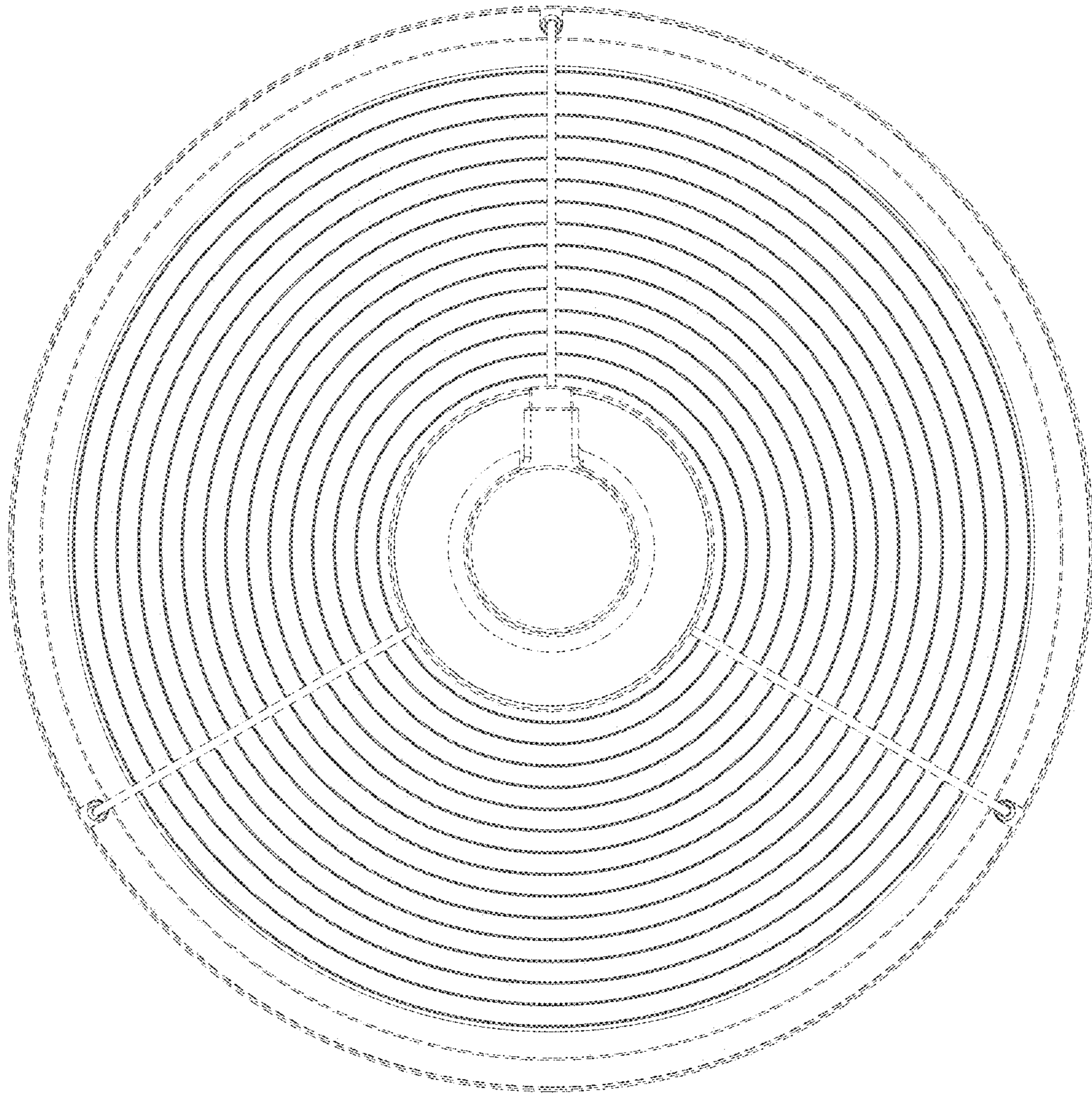
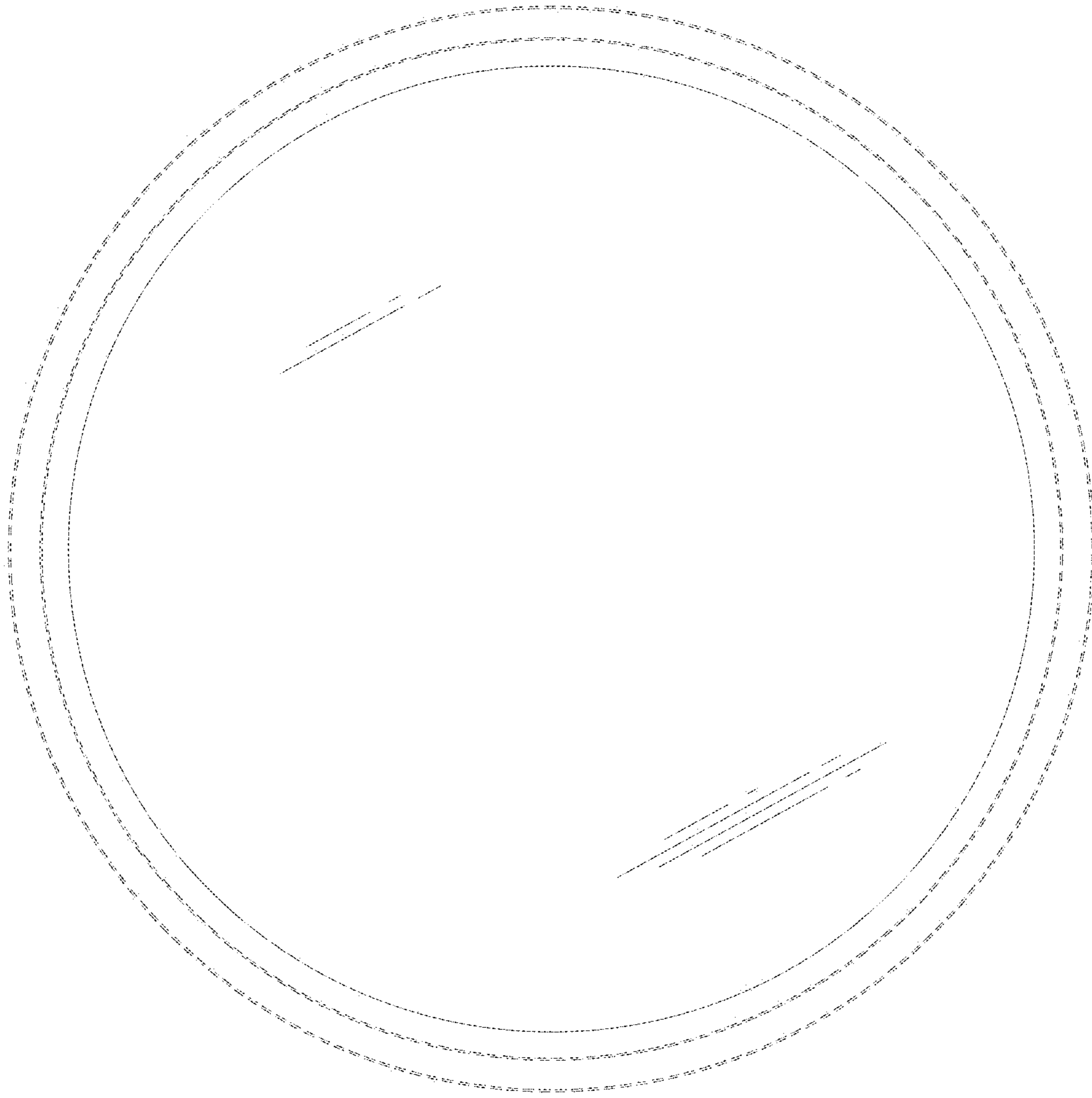


Fig. 7



*Fig. 8*

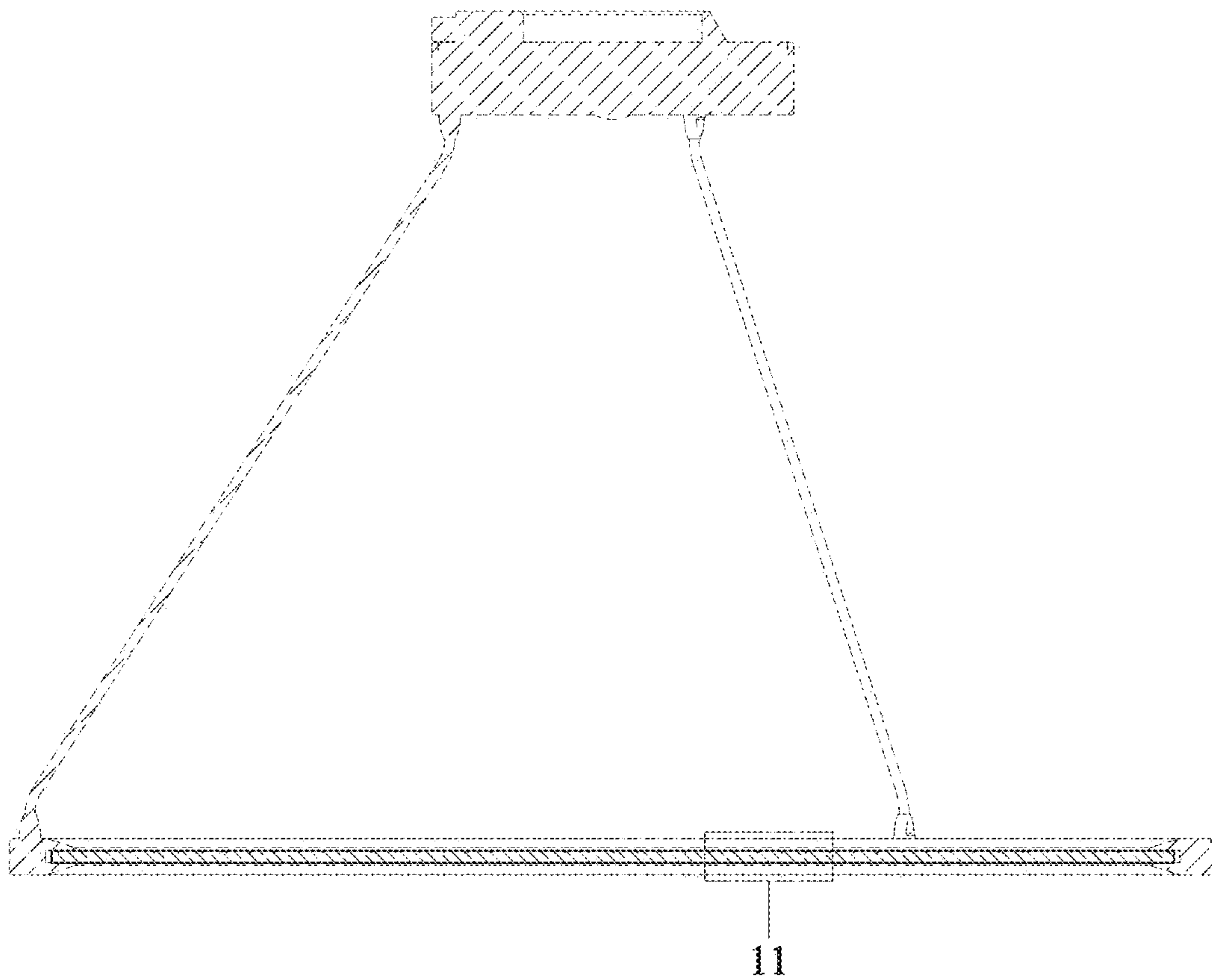
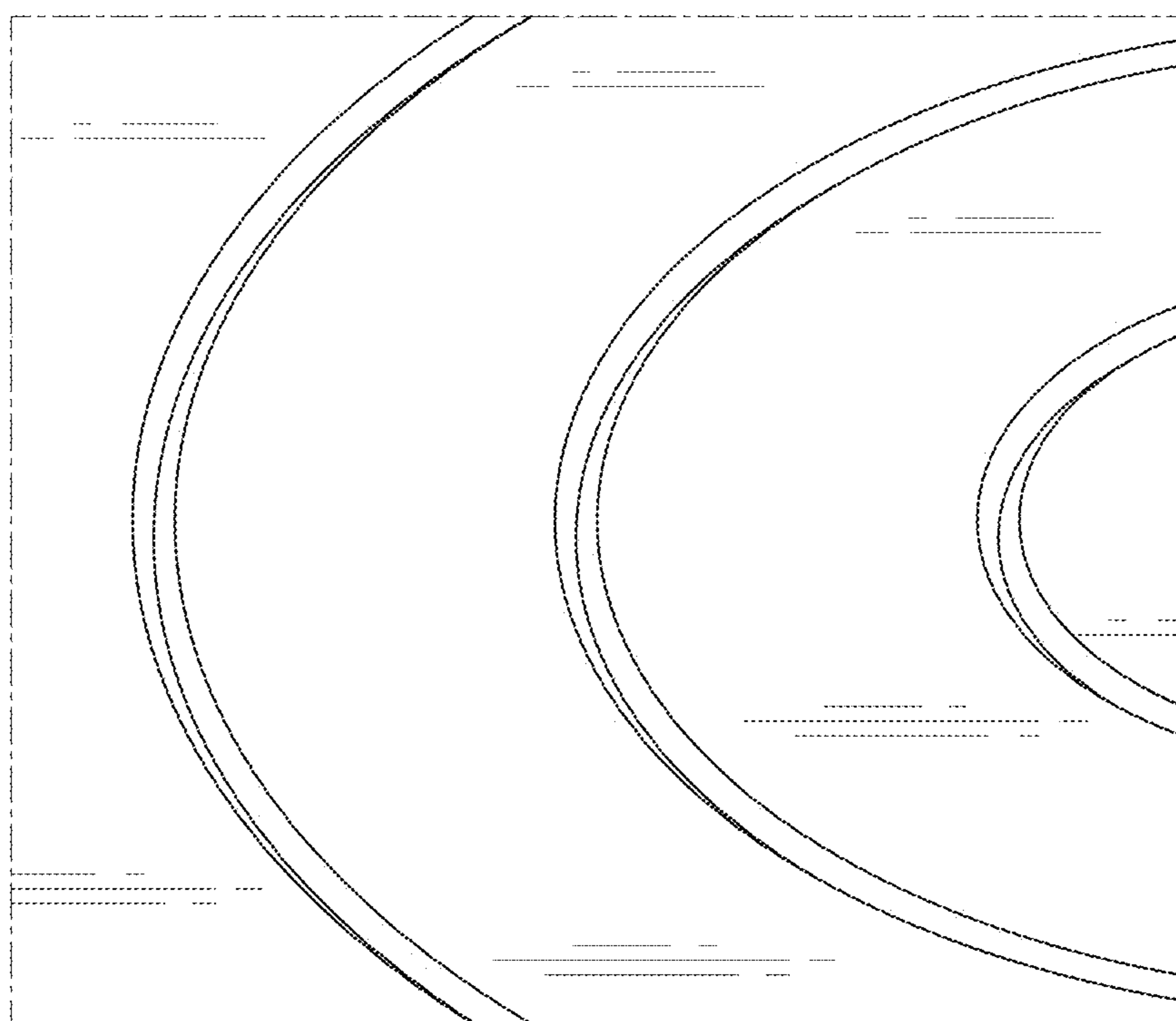


Fig. 9



*Fig. 10*

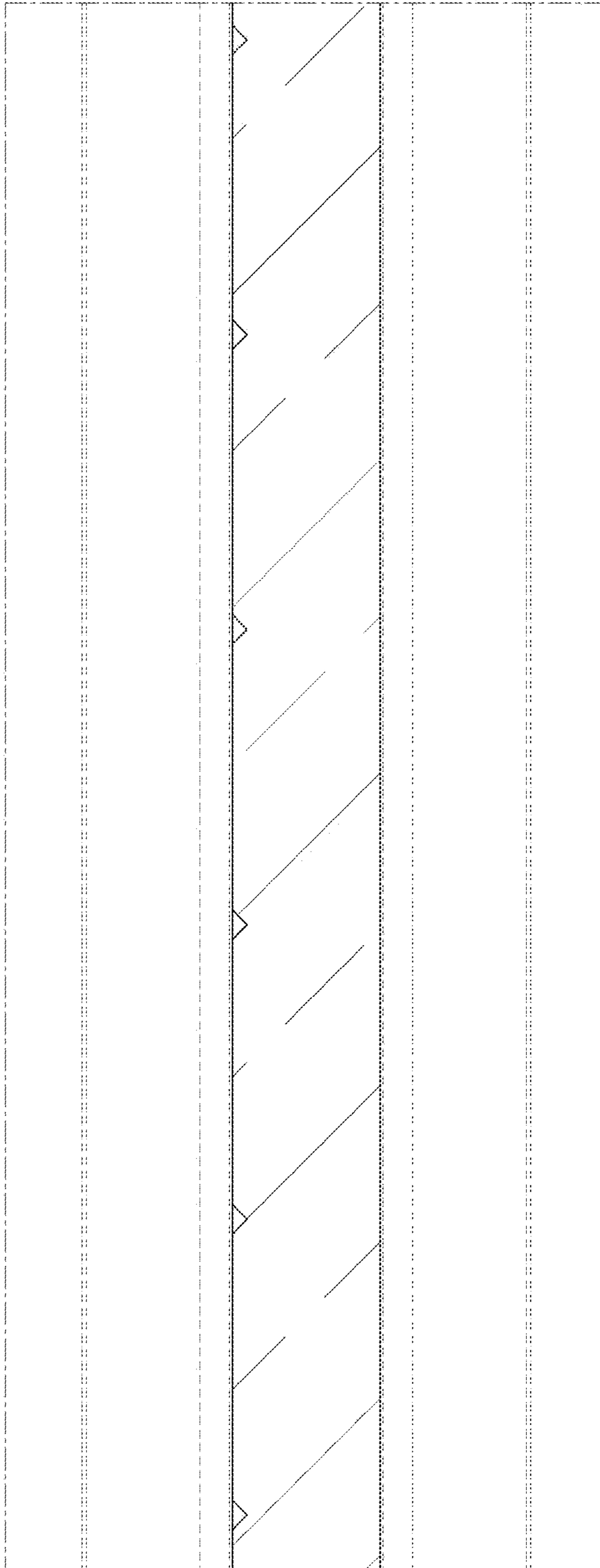


Fig. 11