



US00D982215S

(12) **United States Design Patent**  
**Hoover et al.**

(10) **Patent No.:** **US D982,215 S**  
(45) **Date of Patent:** **\*\* Mar. 28, 2023**

(54) **LIGHTING FIXTURE**

(71) Applicant: **KOHLER CO.**, Kohler, WI (US)

(72) Inventors: **Erin Leigh Hoover**, New York, NY (US); **Nicholas Robert Rindt**, Grafton, WI (US); **Dennis Lee Snyder**, Sheboygan, WI (US); **Seth M. Stevens**, Los Angeles, CA (US); **Maxwell Wasscher**, Grafton, WI (US); **Luke James Worth**, Sheboygan, WI (US); **Jovello Tijano Gomez, Jr.**, Sheboygan, WI (US)

(73) Assignee: **KOHLER CO.**

(\*\*) Term: **15 Years**

(21) Appl. No.: **29/745,494**

(22) Filed: **Aug. 6, 2020**

**Related U.S. Application Data**

(62) Division of application No. 29/744,909, filed on Jul. 31, 2020.

(51) **LOC (14) Cl.** ..... **26-03**

(52) **U.S. Cl.**  
USPC ..... **D26/87**

(58) **Field of Classification Search**  
USPC ..... D26/67, 72, 85, 86, 87, 92  
CPC .... F21S 8/03; F21S 8/033; F21S 8/035; F21S 8/036; F21S 8/037; F21S 8/086  
See application file for complete search history.

(56) **References Cited**

**U.S. PATENT DOCUMENTS**

D48,158 S \* 11/1915 Morrell ..... D26/92  
5,406,466 A \* 4/1995 Stokes ..... F21S 8/081  
362/153.1  
D425,236 S \* 5/2000 Porter ..... D26/86

D436,418 S \* 1/2001 Porter ..... D26/80  
D461,580 S \* 8/2002 Hsu ..... D26/85  
7,988,327 B1 \* 8/2011 Knoble ..... F21V 3/0615  
362/249.02  
D667,161 S \* 9/2012 Chen ..... D26/87  
D713,590 S \* 9/2014 Orozco ..... D26/85  
D829,360 S \* 9/2018 Mou ..... D26/87

(Continued)

**OTHER PUBLICATIONS**

Goalplus—Gooseneck Barn Light Fixture, ASIN: B07WFDZW5Y. Available from amazon.com Aug. 13, 2019. (Year: 2019).\*

(Continued)

*Primary Examiner* — Clare E Heflin

(74) *Attorney, Agent, or Firm* — The Belles Group, P.C.

(57) **CLAIM**

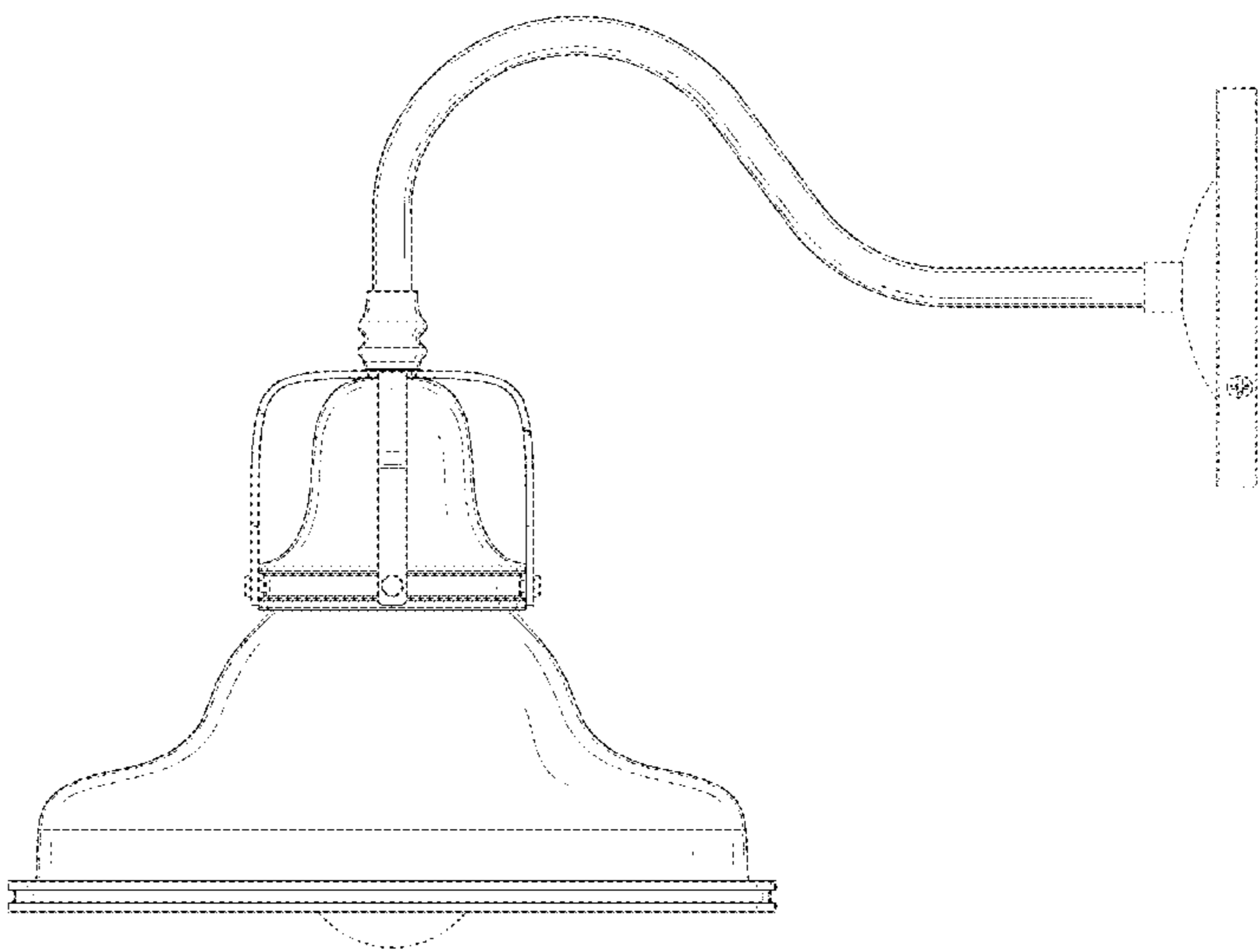
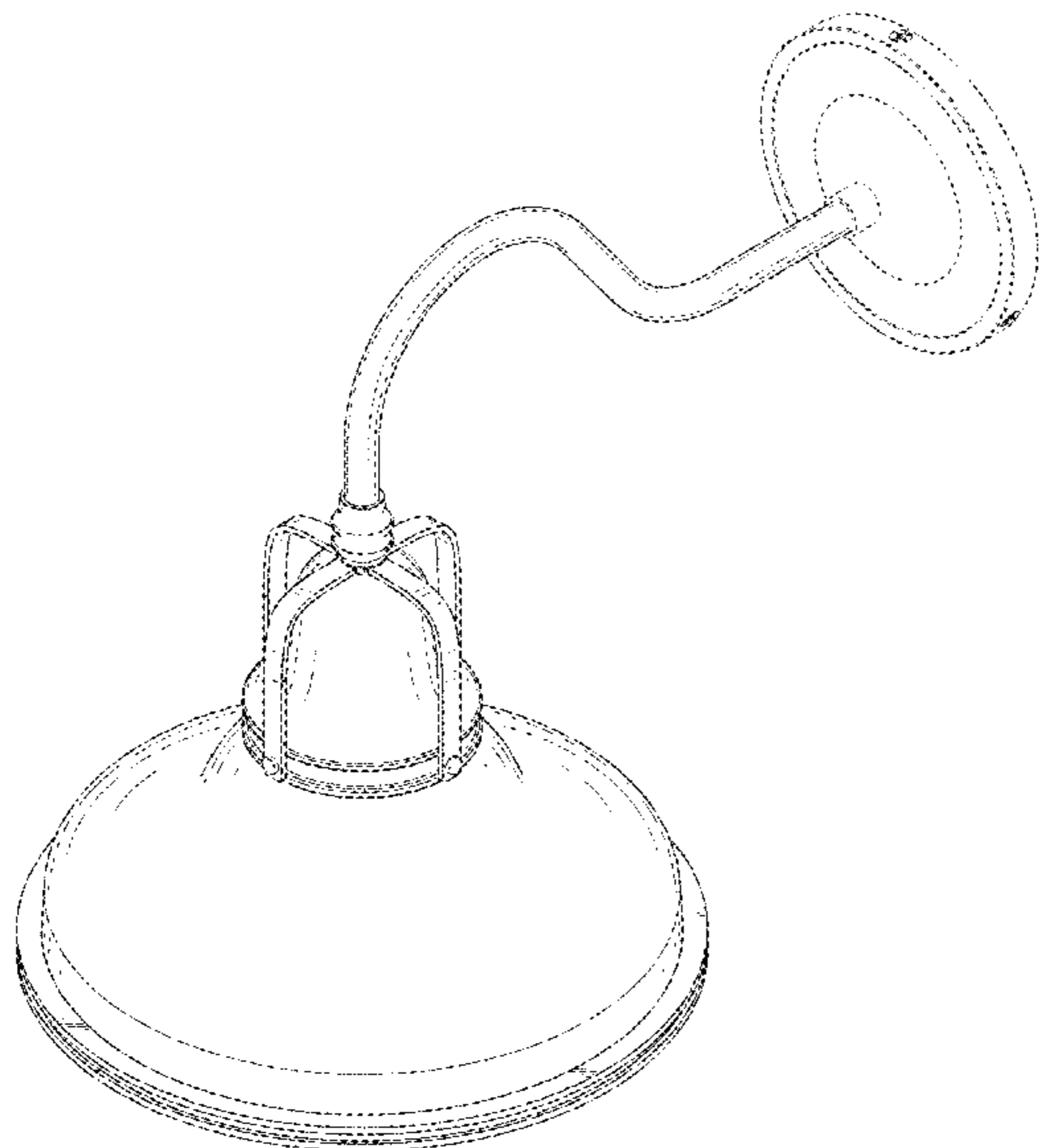
We claim the ornamental design for a lighting fixture, as shown and described.

**DESCRIPTION**

FIG. 1 is a perspective view of the claimed design; FIG. 2 is a front view of the claimed design shown in FIG. 1; FIG. 3 is a rear view of the claimed design shown in FIG. 1; FIG. 4 is a top view of the claimed design shown in FIG. 1; FIG. 5 is a bottom view of the claimed design shown in FIG. 1; FIG. 6 is a side view of the claimed design shown in FIG. 1; and, FIG. 7 is another side view of the claimed design shown in FIG. 1.

The ornamental design that is claimed is shown in the drawings as solid lines and surfaces having surface shading. The broken lines shown on the drawings depict portions of the lighting fixture that form no part of the claimed design.

**1 Claim, 7 Drawing Sheets**



(56)

**References Cited**

U.S. PATENT DOCUMENTS

D888,319 S \* 6/2020 Amato ..... D26/87  
11,304,274 B1 \* 4/2022 Fu ..... G06V 20/52  
D966,595 S \* 10/2022 Rindt ..... D26/87  
11,536,420 B1 \* 12/2022 Glazer ..... F21S 8/036

OTHER PUBLICATIONS

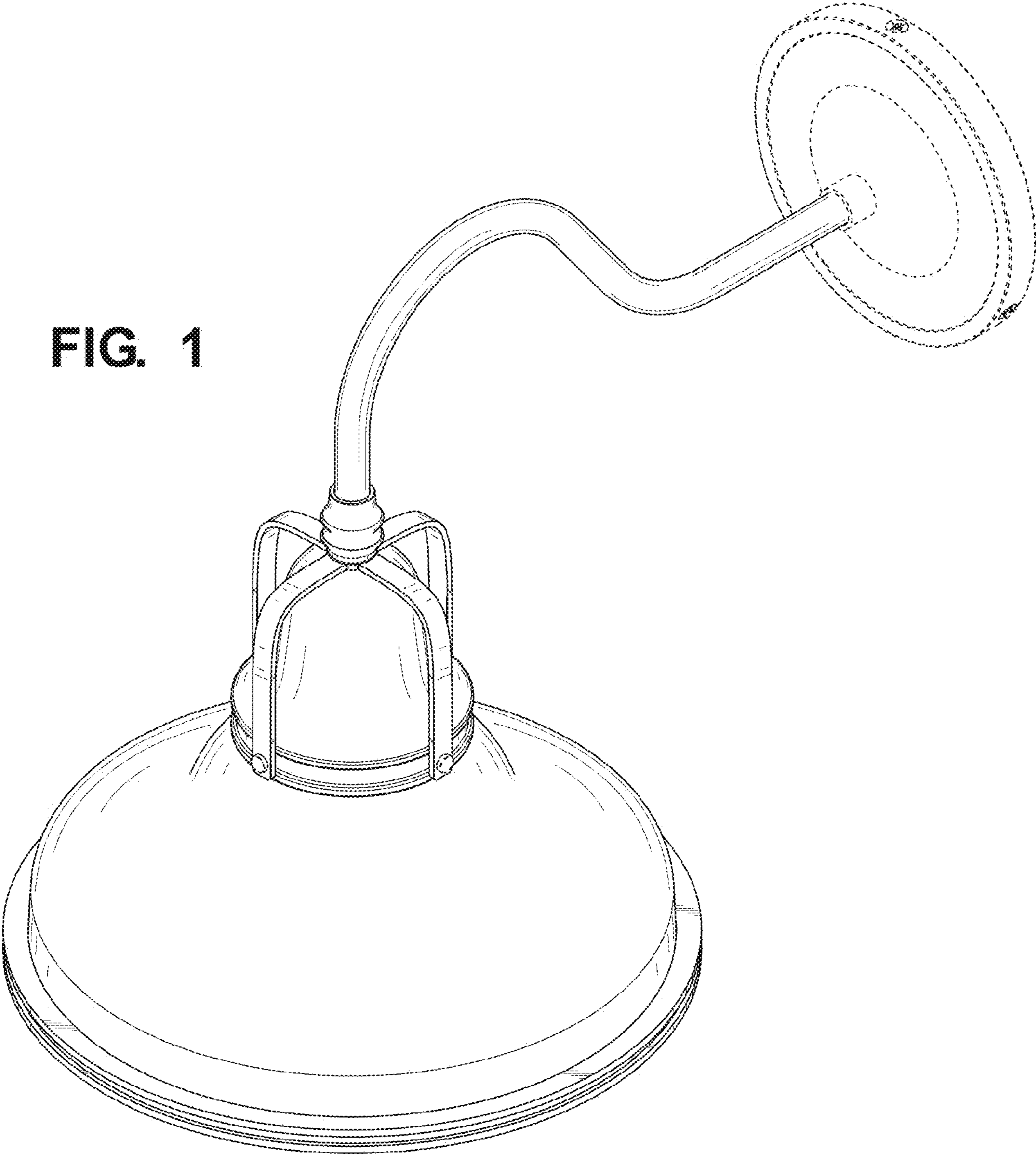
Progress Lighting—Outdoor Barn Light, Model No. P5623-20.  
ASIN: B01AISHHCC. Available from amazon.com Jan. 12, 2016.  
(Year: 2016).\*

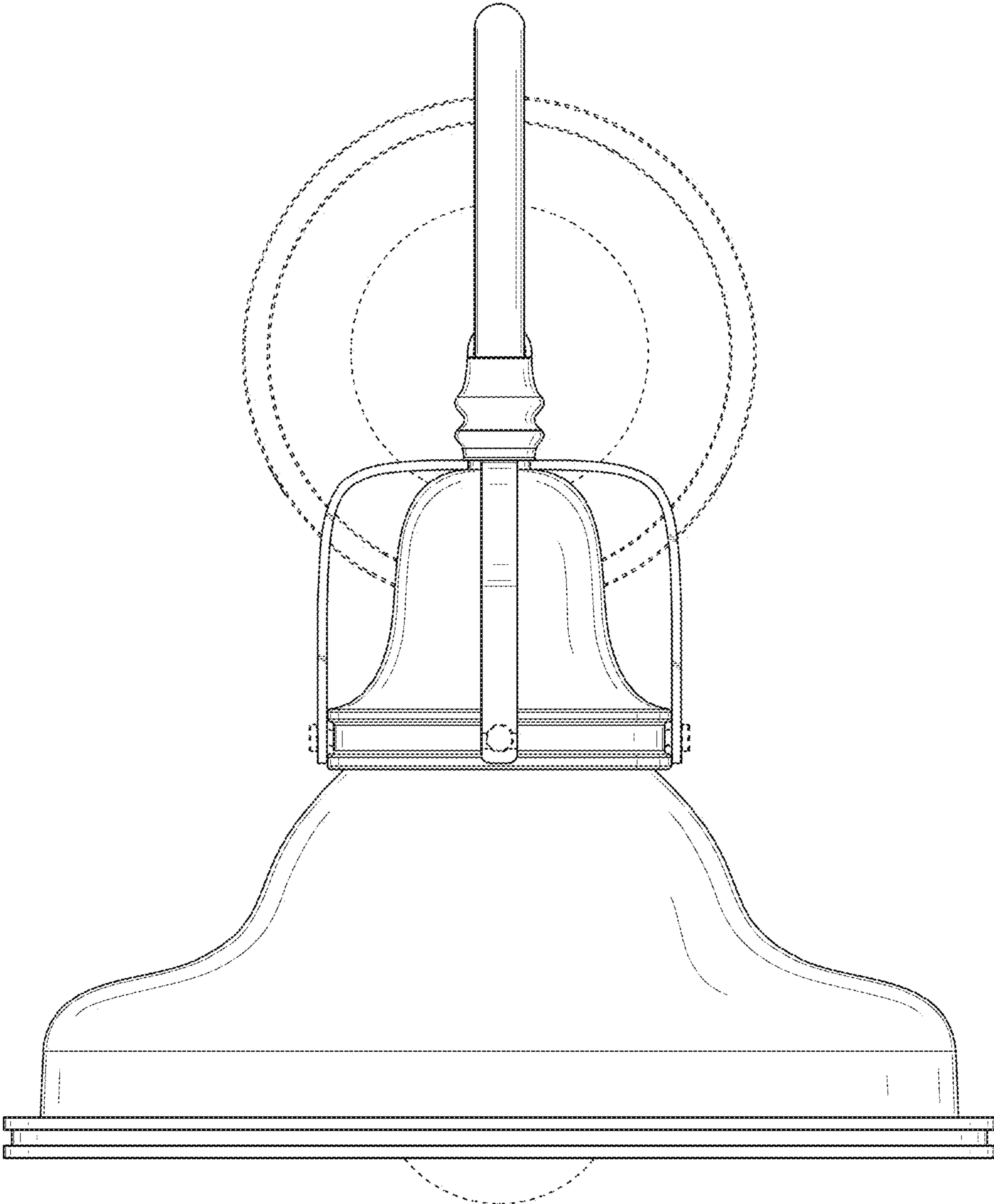
Designers Fountain—Bayport Outdoor Wall Sconce, model No.  
31331-BZ. ASIN: B00EHFG0XK available from amazon.com Mar.  
21, 2009. (Year: 2009).\*

Hinkley—Troyer Collection One Light Outdoor Wall Fixture. ASIN:  
B073X6JHML available from amazon.com Jul. 22, 2017. (Year:  
2017).\*

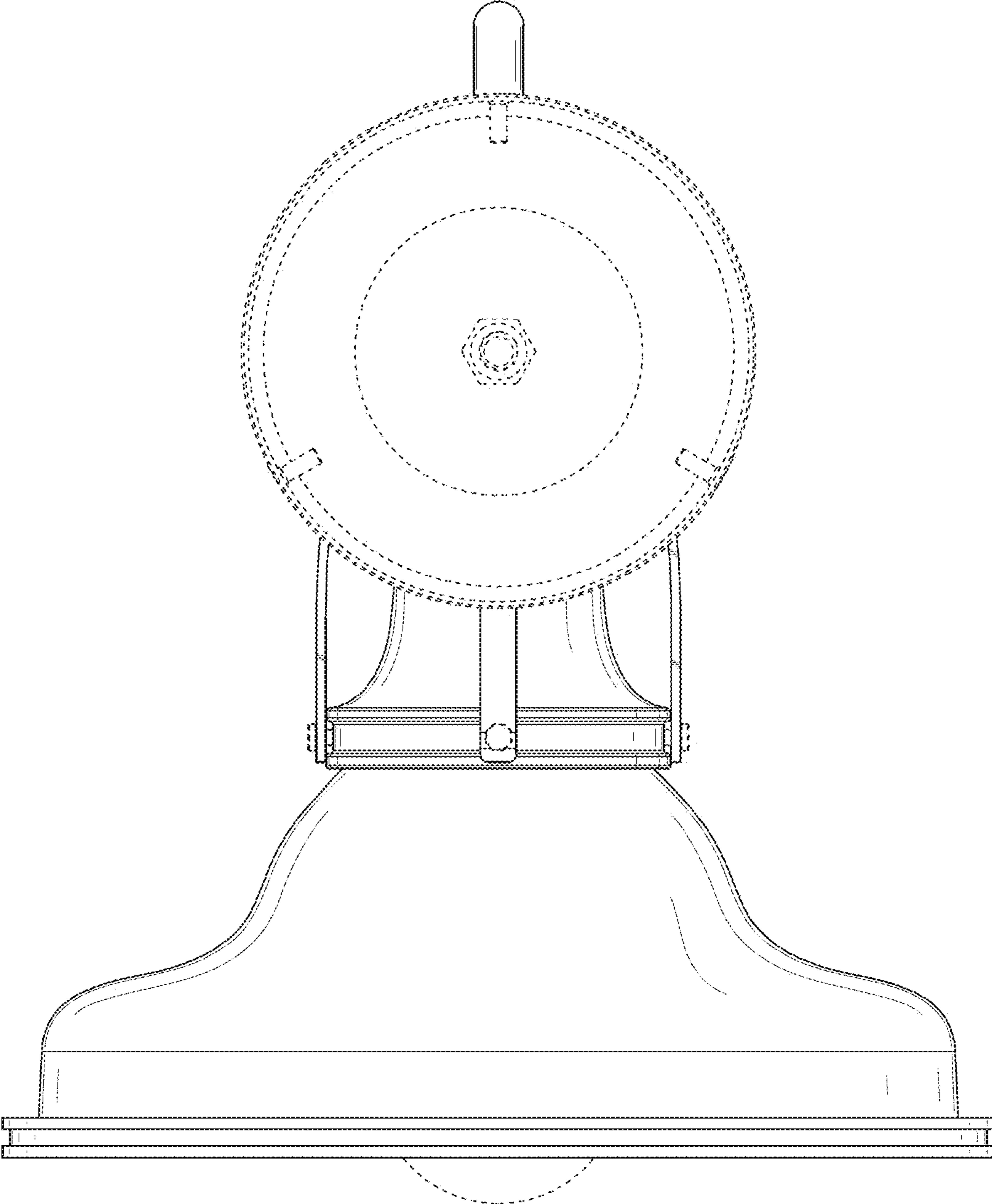
\* cited by examiner

FIG. 1





**FIG. 2**



**FIG. 3**

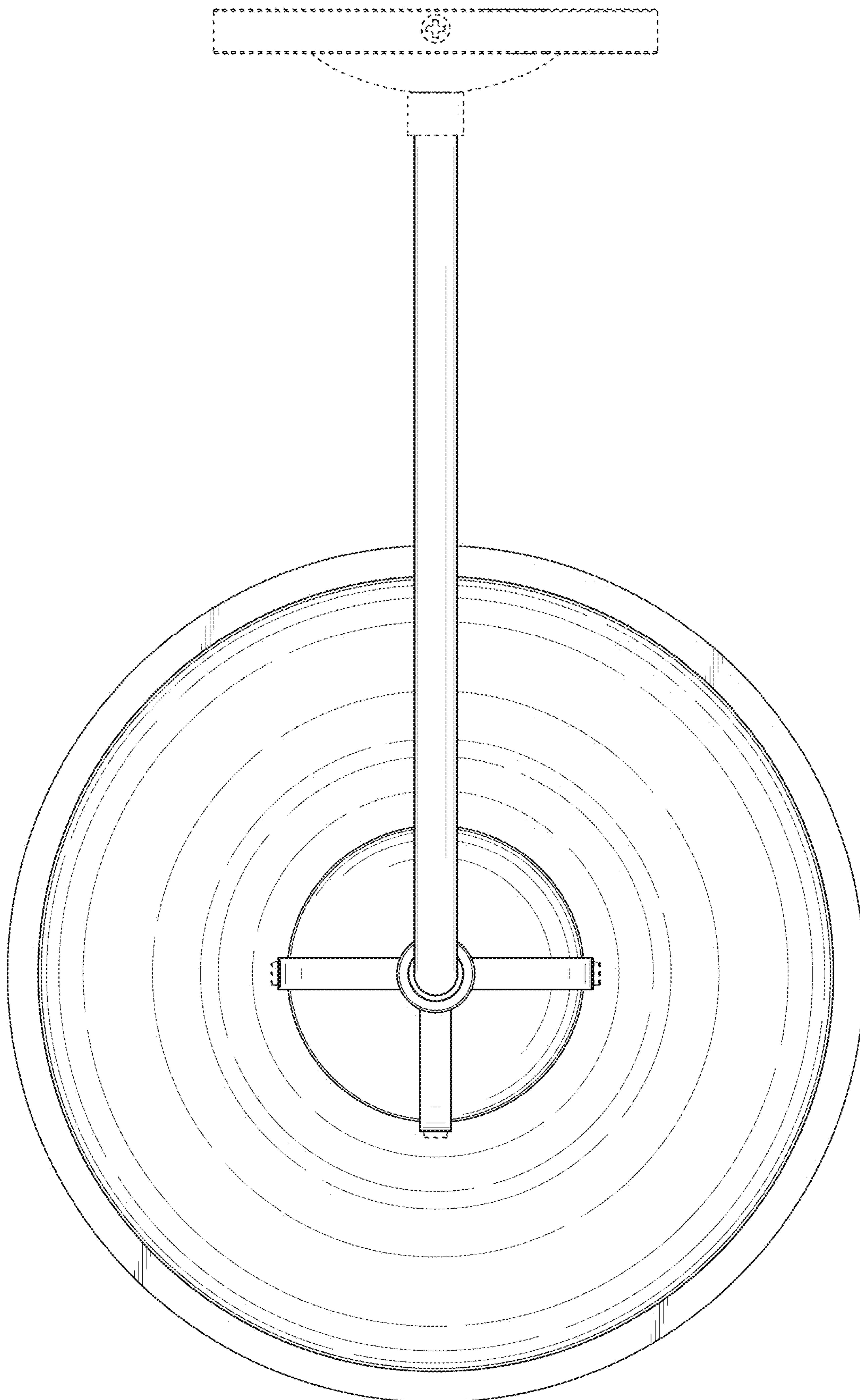
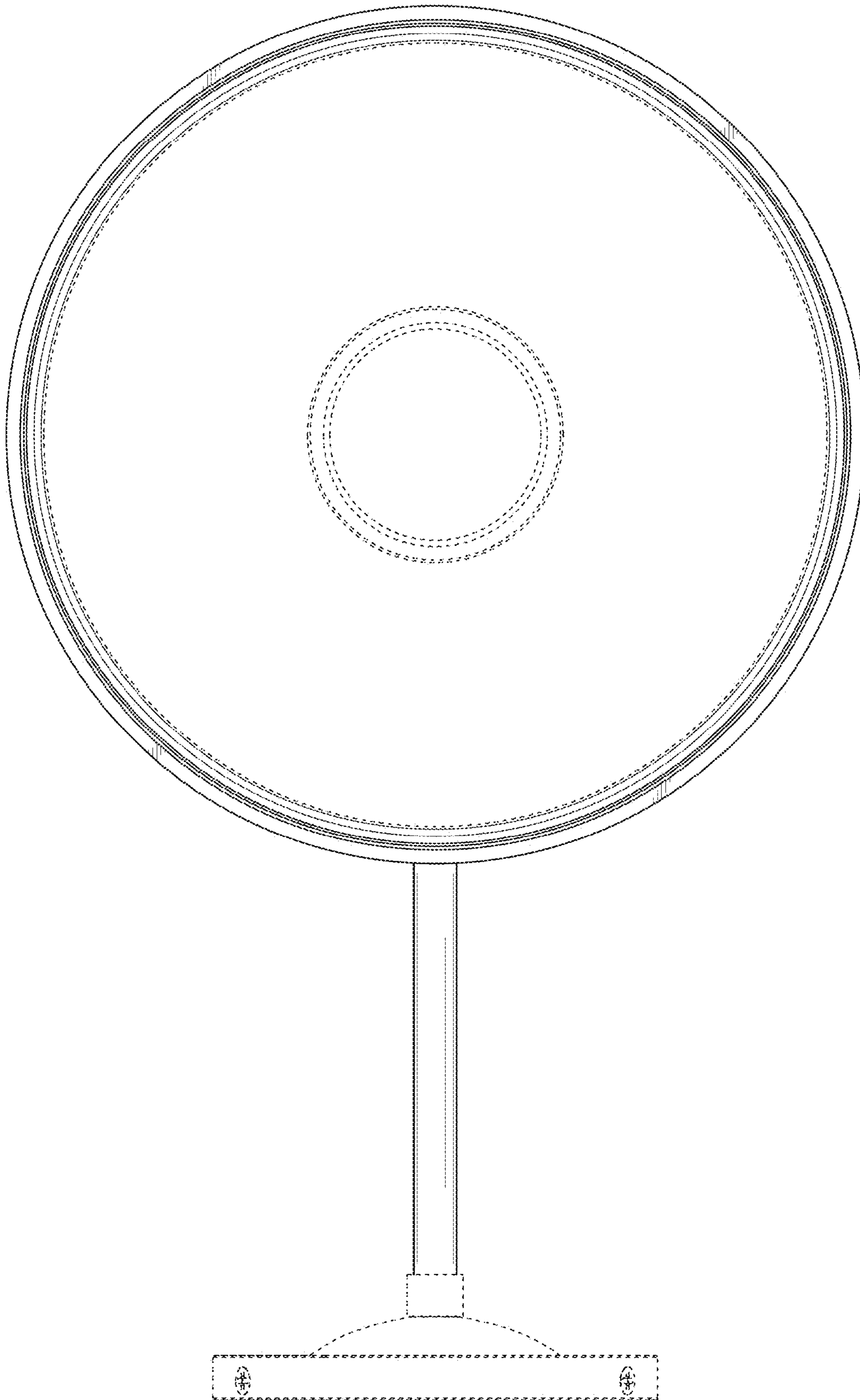


FIG. 4



**FIG. 5**

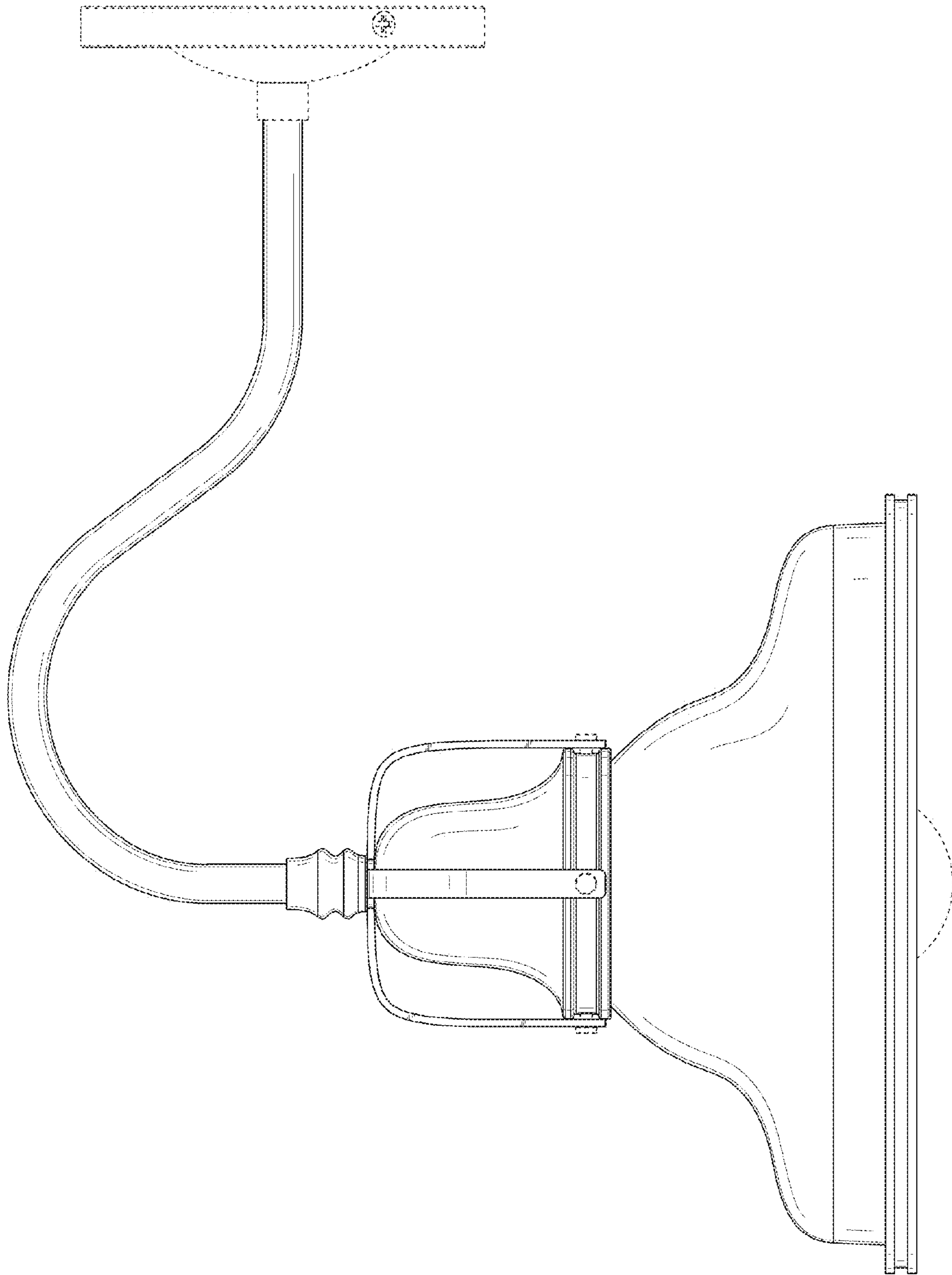


FIG. 6



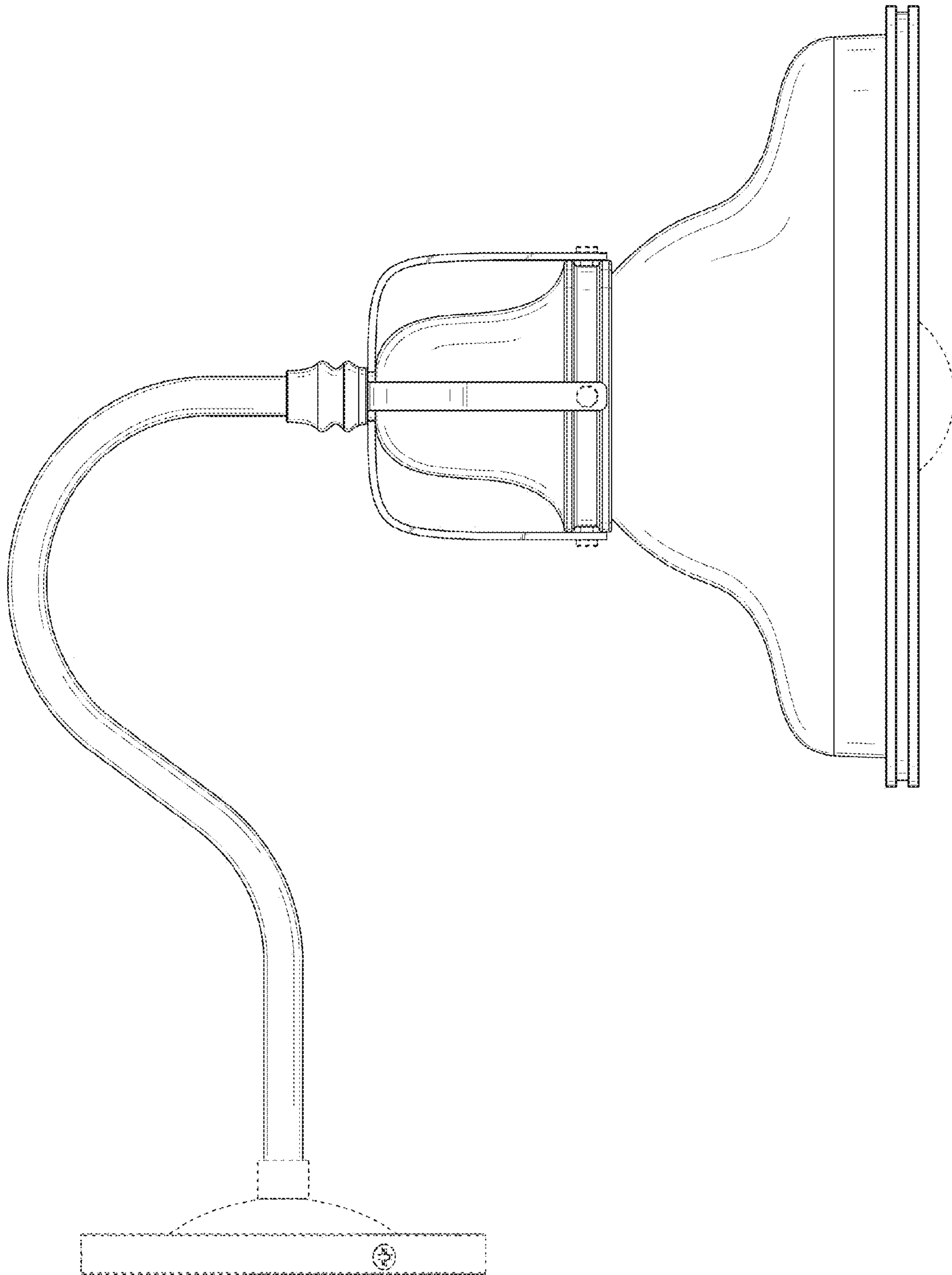


FIG. 7