



US00D982214S

(12) **United States Design Patent**
Nie

(10) **Patent No.:** **US D982,214 S**

(45) **Date of Patent:** **** Mar. 28, 2023**

(54) **LED GROW LIGHT FIXTURE**
(71) Applicant: **Shubo Nie**, Guangdong (CN)
(72) Inventor: **Shubo Nie**, Guangdong (CN)
(**) Term: **15 Years**

D870,346 S * 12/2019 Deng D26/76
D881,440 S * 4/2020 Zhu D26/76
D910,222 S 2/2021 Zhang
D923,850 S * 6/2021 Liu D26/76
D928,381 S * 8/2021 Xia D26/76
D945,043 S * 3/2022 Chen D26/76
D945,044 S * 3/2022 Chen D26/76
D949,454 S * 4/2022 Burkhart D26/76

* cited by examiner

(21) Appl. No.: **29/802,371**

Primary Examiner — **Natasha Vujcic**

(22) Filed: **Aug. 4, 2021**

(57) **CLAIM**

(51) **LOC (14) Cl.** **26-04**

The ornamental design for an LED grow light fixture, as shown and described.

(52) **U.S. Cl.**

USPC **D26/76**

(58) **Field of Classification Search**

DESCRIPTION

USPC D26/72, 74, 76, 78–83, 85, 86, 88, 90,
D26/93, 111, 113, 118–122, 138, 139,
D26/140, 141, 142, 152
CPC F21S 2/00; F21S 4/00; F21S 4/003; F21S
4/005; F21S 4/006; F21S 4/007; F21S
4/008; F21S 6/00; F21S 8/00; F21S
8/024; F21S 8/026; F21S 8/031; F21S
8/033; F21S 8/035–037; F21S 8/04; F21S
8/043; F21S 8/063

FIG. 1 is a bottom, front, right side perspective view of an LED grow light fixture in accordance with the present design;

See application file for complete search history.

FIG. 2 is a bottom, back, right side perspective view thereof;

(56) **References Cited**

U.S. PATENT DOCUMENTS

D652,160 S 1/2012 Brown
D804,077 S * 11/2017 Ma D26/76
D819,875 S * 6/2018 Yorio D26/118
D863,656 S * 10/2019 Klase D26/113
D868,337 S * 11/2019 Deng D26/76

FIG. 3 is a front view thereof;

FIG. 4 is a back view thereof;

FIG. 5 is a left side view thereof;

FIG. 6 is a right side view thereof;

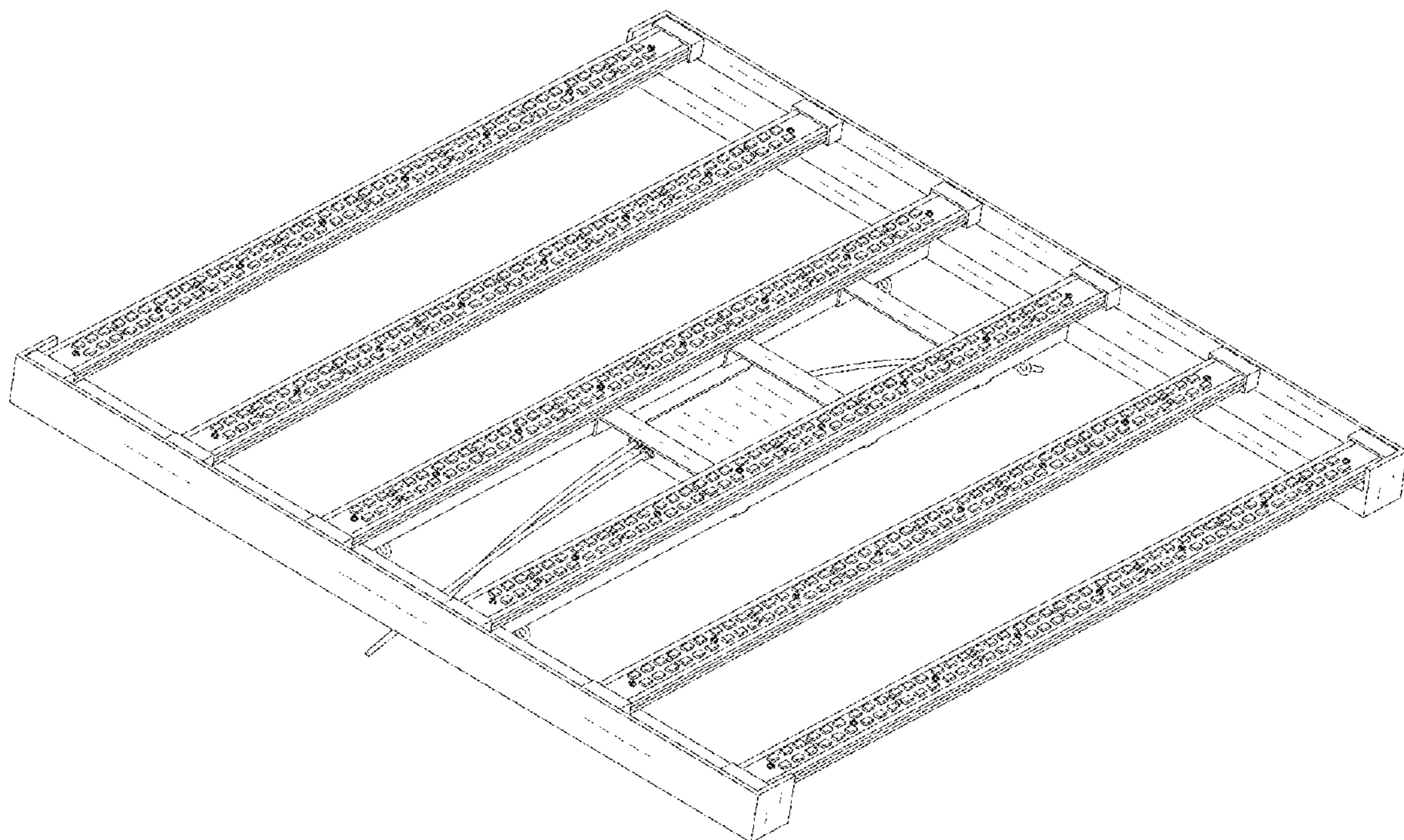
FIG. 7 is a top plan view thereof;

FIG. 8 is a bottom plan view thereof; and

FIG. 9 is a bottom, front, right side perspective view of the LED grow light fixture with its rightmost light bar detached; and,

FIG. 10 is an enlarge view of the portion labeled “10” framed in FIG. 9.

1 Claim, 10 Drawing Sheets



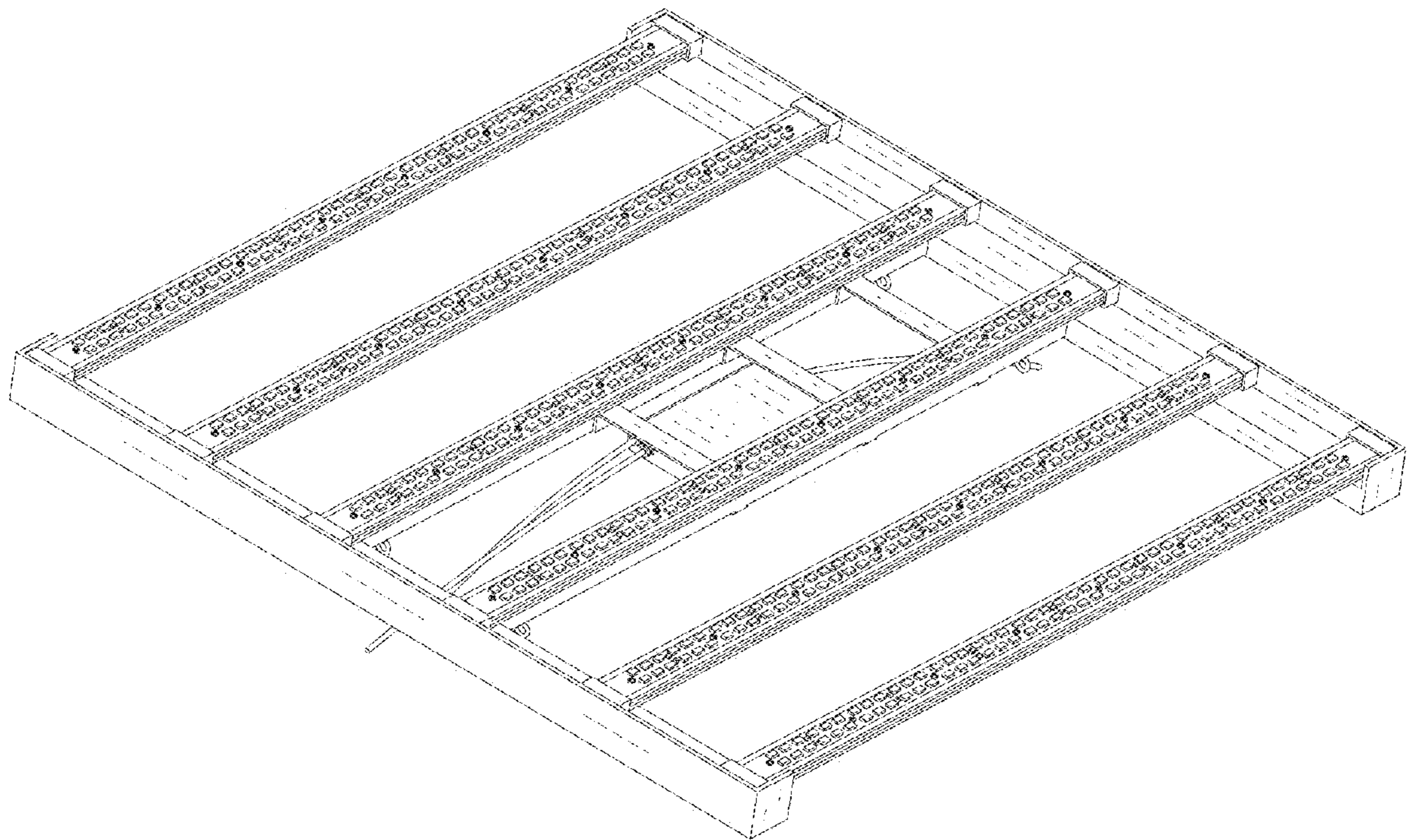


FIG. 1

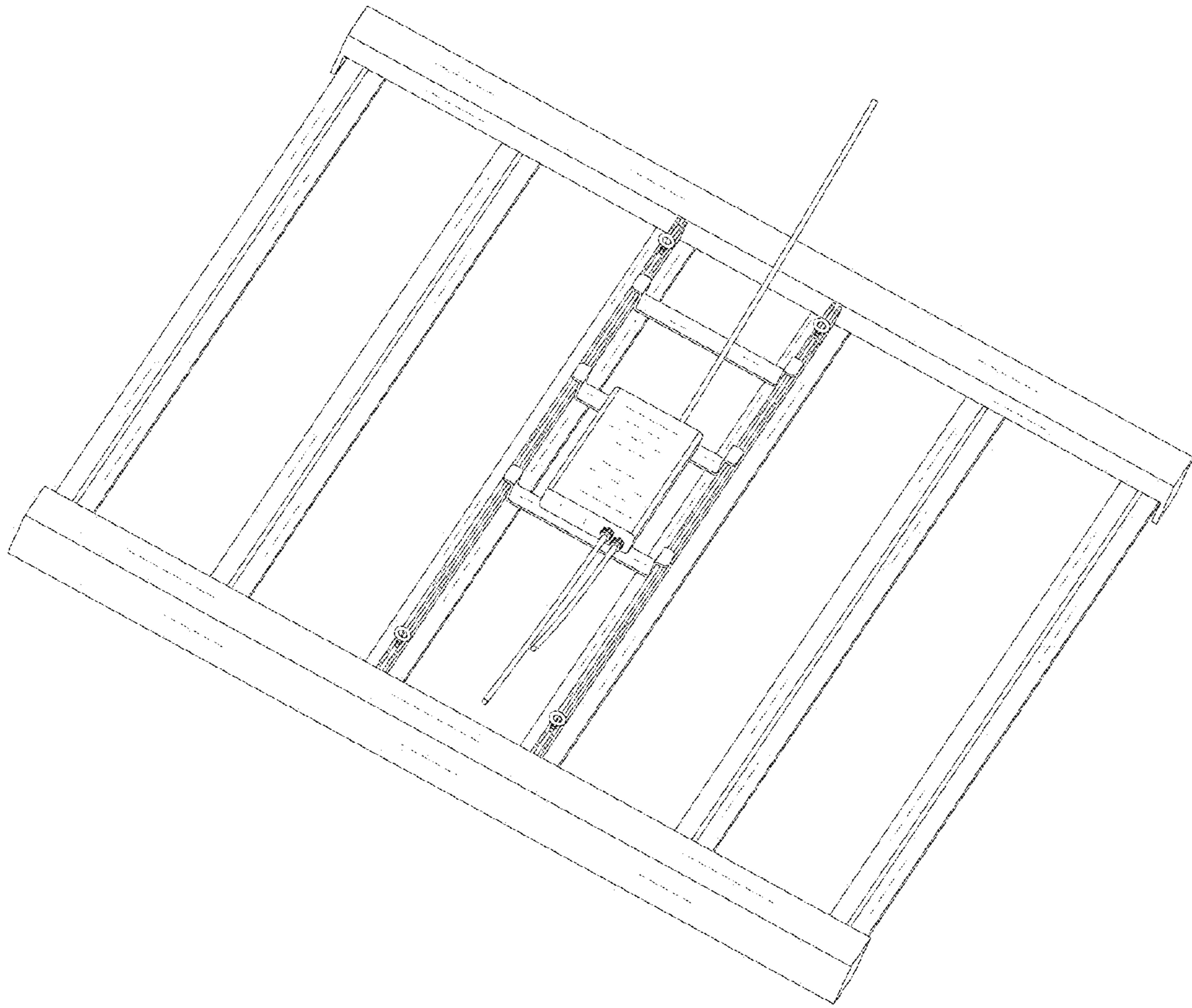


FIG. 2

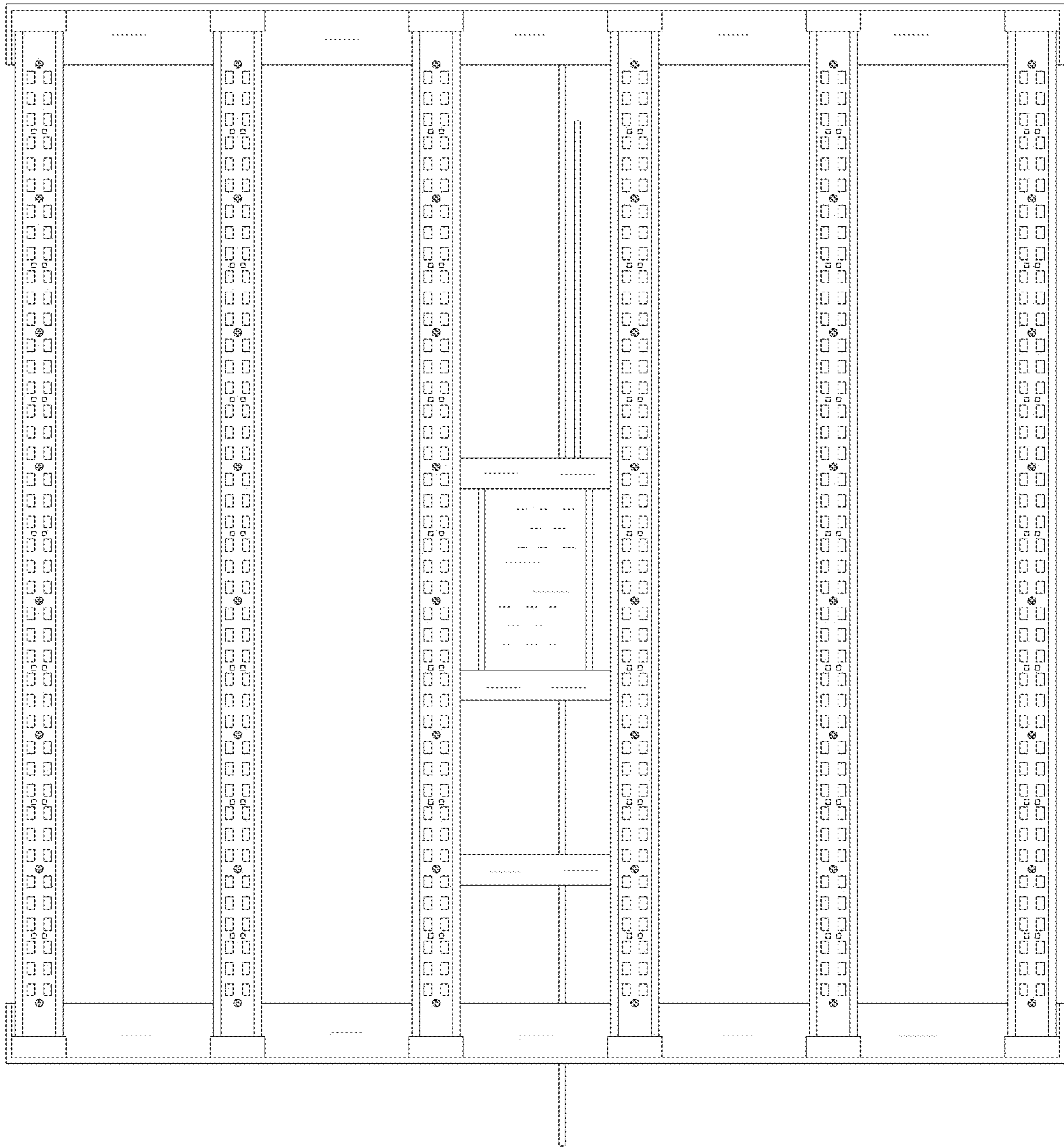


FIG. 3

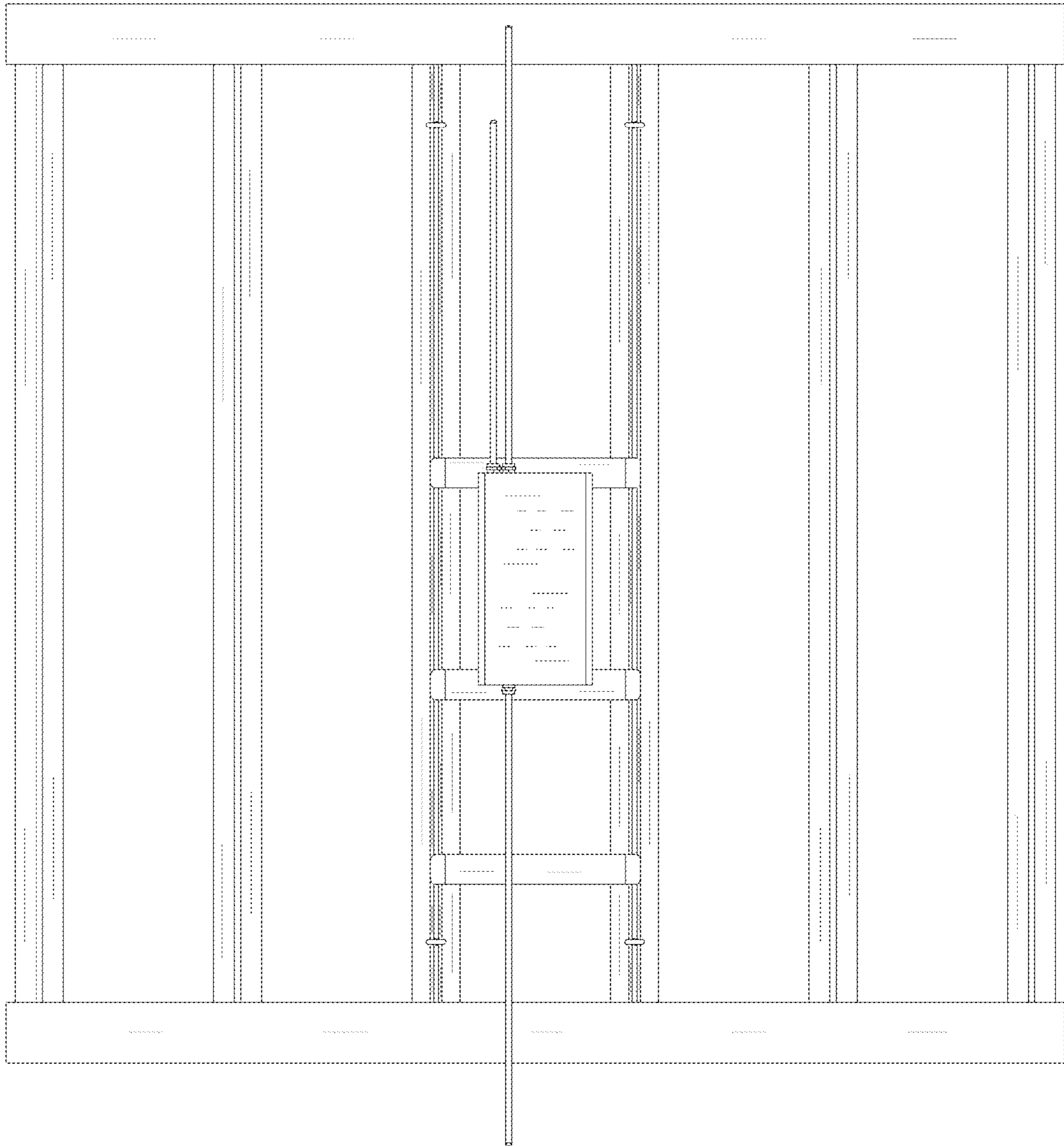


FIG. 4

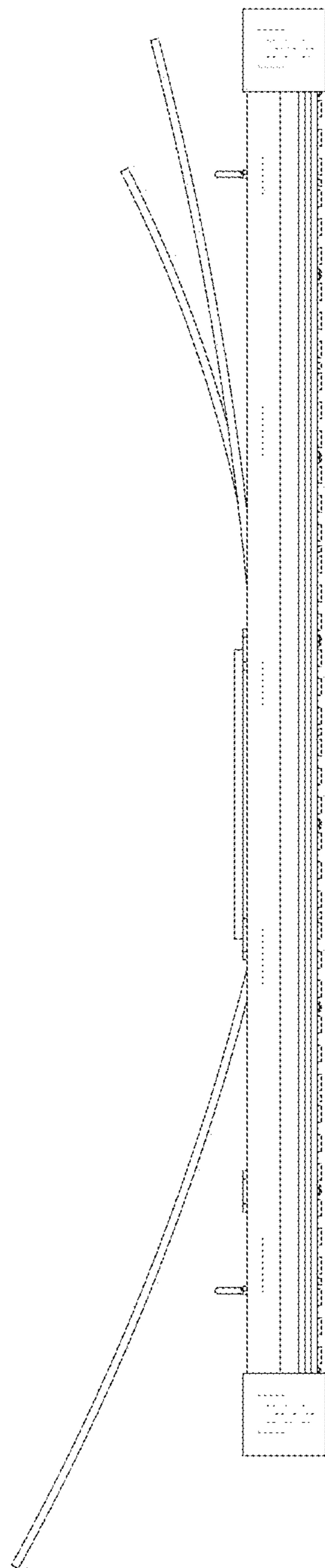


FIG. 5

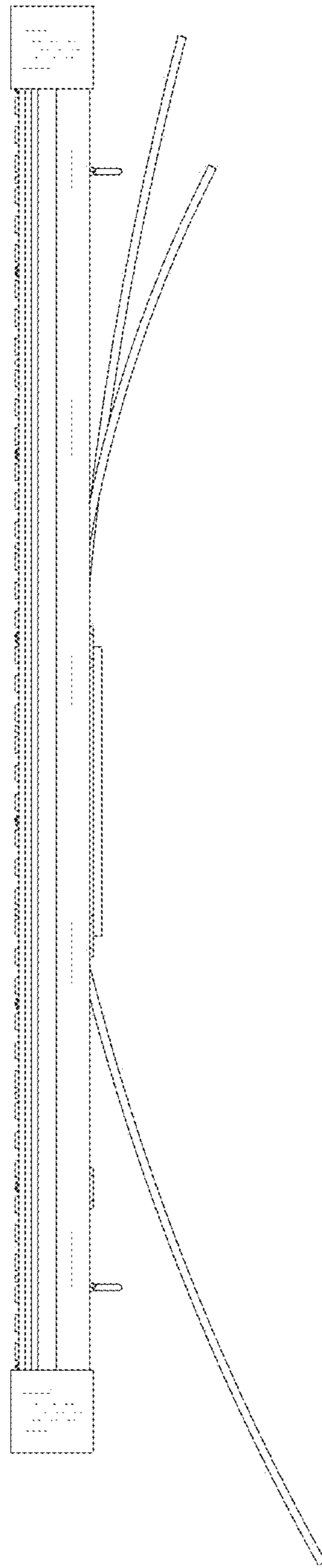


FIG. 6

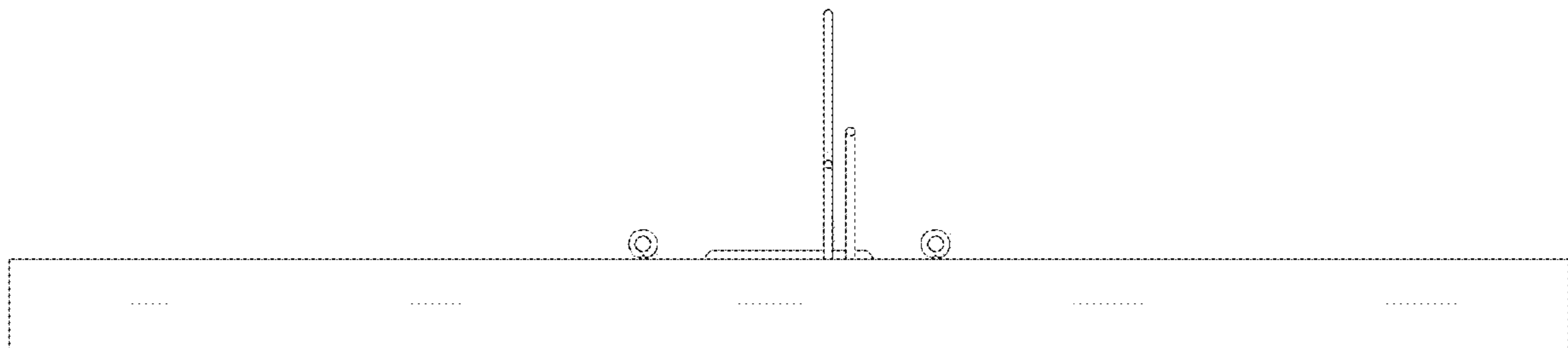


FIG. 7

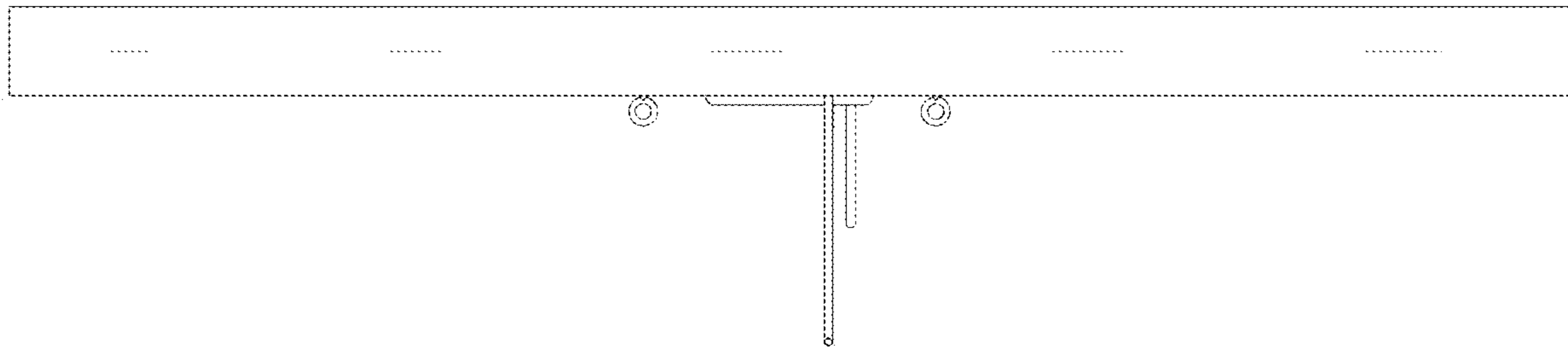


FIG. 8

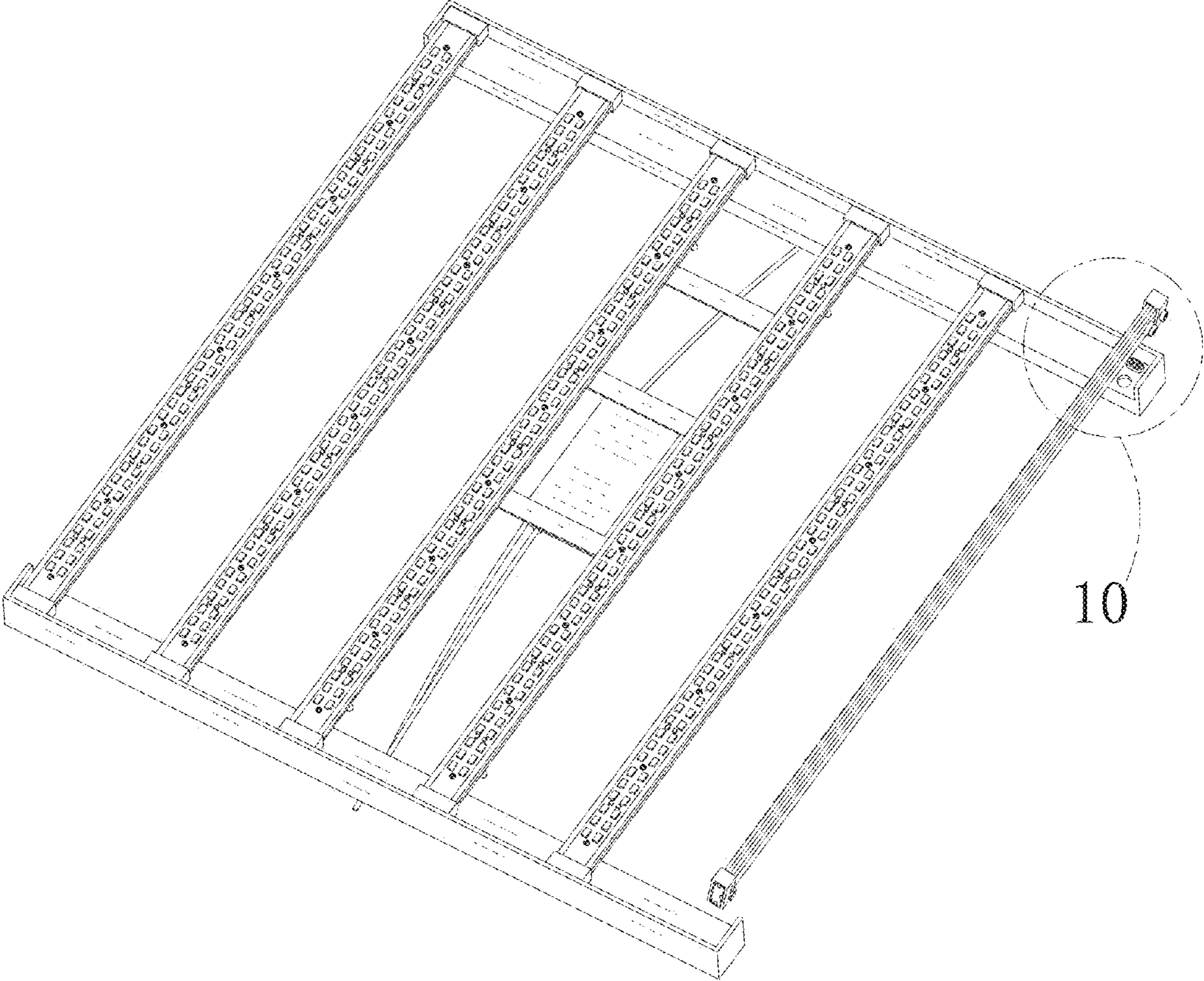


FIG. 9

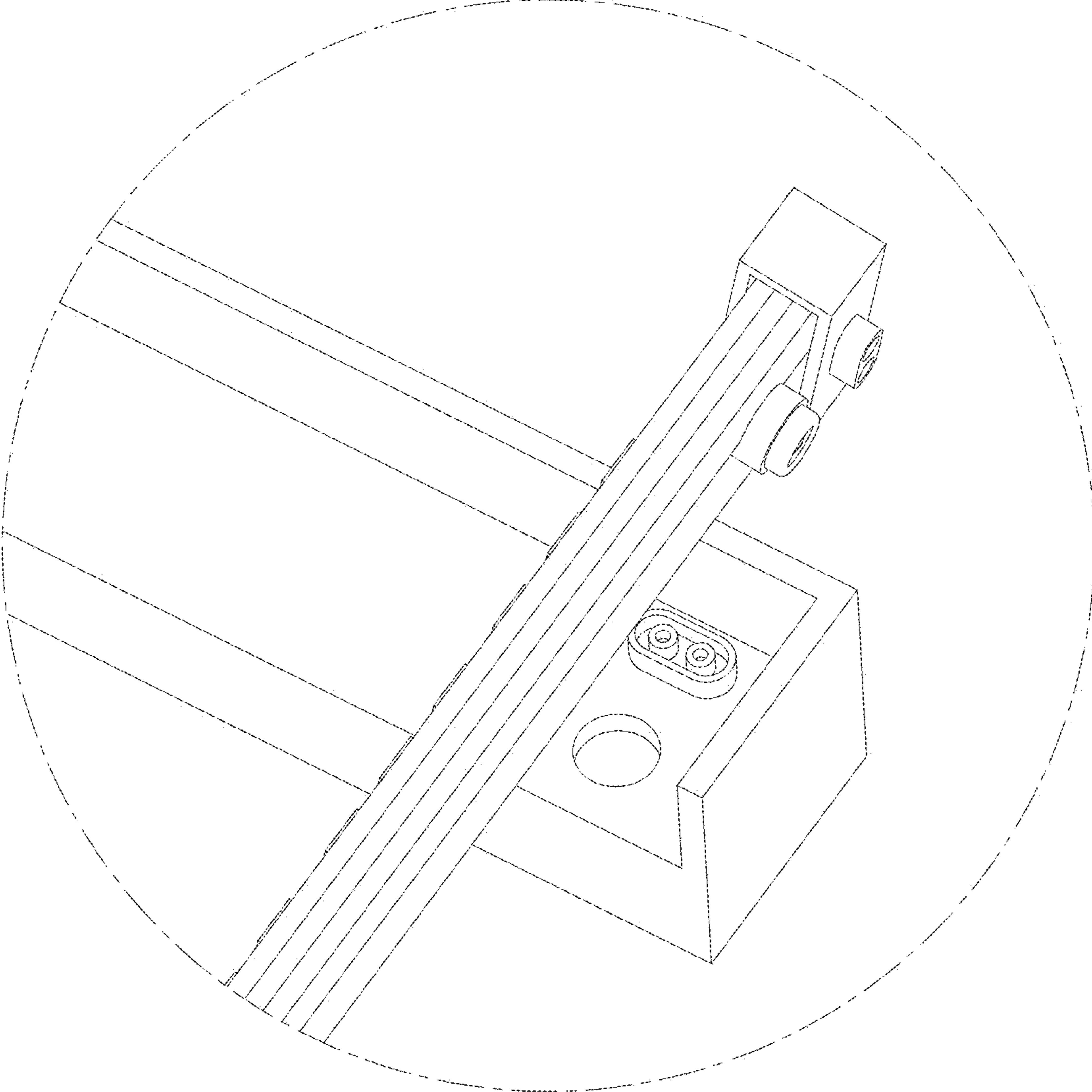


FIG. 10