



US00D982211S

(12) **United States Design Patent** (10) **Patent No.:** **US D982,211 S**
He (45) **Date of Patent:** **** Mar. 28, 2023**

(54) **PLANT GROWTH LAMP**

(71) Applicant: **Siming He**, Sichuan (CN)

(72) Inventor: **Siming He**, Sichuan (CN)

(**) Term: **15 Years**

(21) Appl. No.: **29/809,382**

(22) Filed: **Sep. 28, 2021**

(30) **Foreign Application Priority Data**

Aug. 19, 2021 (CN) 202130542189.8

(51) **LOC (14) Cl.** **25-03**

(52) **U.S. Cl.**
USPC **D26/67**

(58) **Field of Classification Search**
USPC D26/24, 37, 43, 60-63, 64, 65, 93, 102,
D26/67, 106-107; D11/144
CPC F21K 9/00; F21K 9/20; F21L 4/00; F21L
4/005; F21L 4/06; F21S 9/00; F21S 9/02;
F21V 21/042; F21V 21/08; F21V 21/088
See application file for complete search history.

(56) **References Cited**

U.S. PATENT DOCUMENTS

D619,287 S * 7/2010 Liu D26/62
D709,235 S * 7/2014 Chu D26/65
D744,692 S * 12/2015 Poulton D26/107
D855,871 S * 8/2019 Ma D26/107
D871,648 S * 12/2019 Tong D26/107
D872,348 S * 1/2020 Liu D26/106
D916,355 S * 4/2021 Sanchez D26/93
D948,104 S * 4/2022 Gu D26/107
D957,714 S * 7/2022 Hodgson D26/106
D967,503 S * 10/2022 Wingren D26/107

FOREIGN PATENT DOCUMENTS

CN 307196353 * 3/2022
GB 6192725 * 2/2022

OTHER PUBLICATIONS

“Small Grow Light Height” reference on Amazon.com, date first available May 11, 2021 [online], site visited Aug. 31, 2022, available from internet URL: <https://www.amazon.com/Small-Height-Adjustable-Automatic-Spectrum/dp/B094NM7VQG> (Year: 2021).*
“Small Grow Light Full Spectrum” reference by Noukower on Amazon.com, date first available May 12, 2021 [online], site visited Aug. 31, 2022, available from internet URL: <https://www.amazon.com/Spectrum-Height-Adjustable-Upgrade-Version/dp/B094R1R5B7> (Year: 2021).*

(Continued)

Primary Examiner — Richard Kearney

Assistant Examiner — Liv C Anderson

(74) *Attorney, Agent, or Firm* — ScienBiziP, P.C.

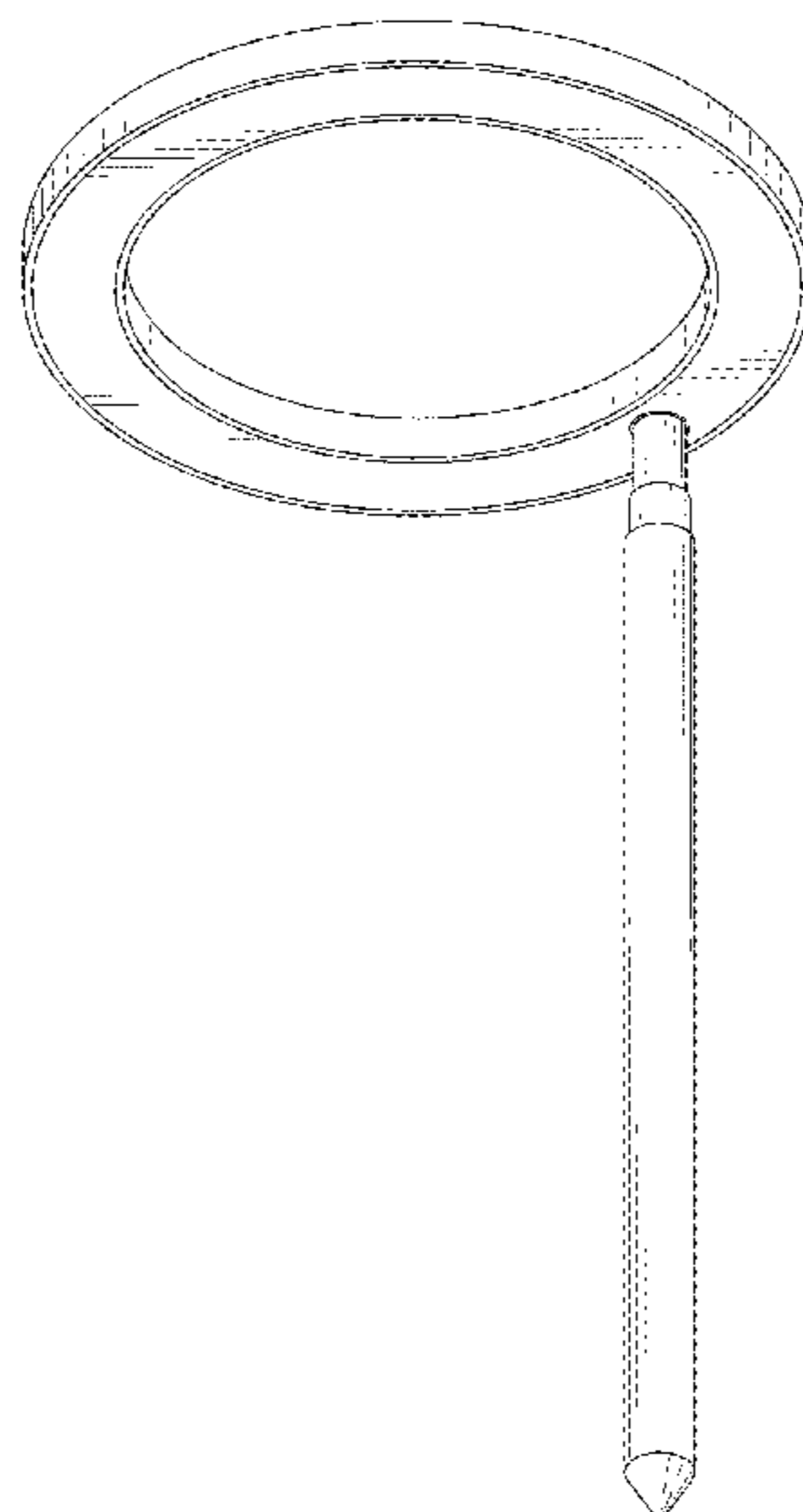
(57) **CLAIM**

The ornamental design for a plant growth lamp, as shown and described.

DESCRIPTION

FIG. 1 is a front and bottom perspective view of a plant growth lamp, showing my new design;
FIG. 2 is a rear and top perspective view thereof;
FIG. 3 is a front elevation view thereof;
FIG. 4 is a rear view thereof;
FIG. 5 is a left side elevation view thereof;
FIG. 6 is a right side elevation view thereof;
FIG. 7 is a top plan view thereof;
FIG. 8 is a bottom plan view thereof;
FIG. 9 is a rear top perspective view thereof, shown in an alternate configuration of use; and,
FIG. 10 is an exploded front bottom perspective view of FIG. 1.

1 Claim, 10 Drawing Sheets



(56)

References Cited

OTHER PUBLICATIONS

“Horior Ring” reference by Horior on Amazon.com, oldest customer review date Jul. 11, 2021 [online], site visited Aug. 31, 2022, available from internet URL: <https://www.amazon.com/Horior-Growing-Succulent-Desktop-Hydroponics/dp/B091TYXBD7> (Year: 2021).*

“Atrusu” reference by Atrusu Store on Amazon.com, date first available Nov. 23, 2021 [online], site visited Aug. 31, 2022, available from internet URL: <https://www.amazon.com/Atrusu-Spectrum-Lights-Indoor-Adjustable/dp/B09MFS9244/> (Year: 2021).*

“Plant Grow Light” reference by Yadoker Direct on Amazon.com, date first available Jan. 1, 2021 [online], site visited Aug. 31, 2022, available from internet URL: <https://www.amazon.com/Yadoker-Growing-Spectrum-Adjustable-Automatic/dp/B08NCR9S1D> (Year: 2021).*

* cited by examiner

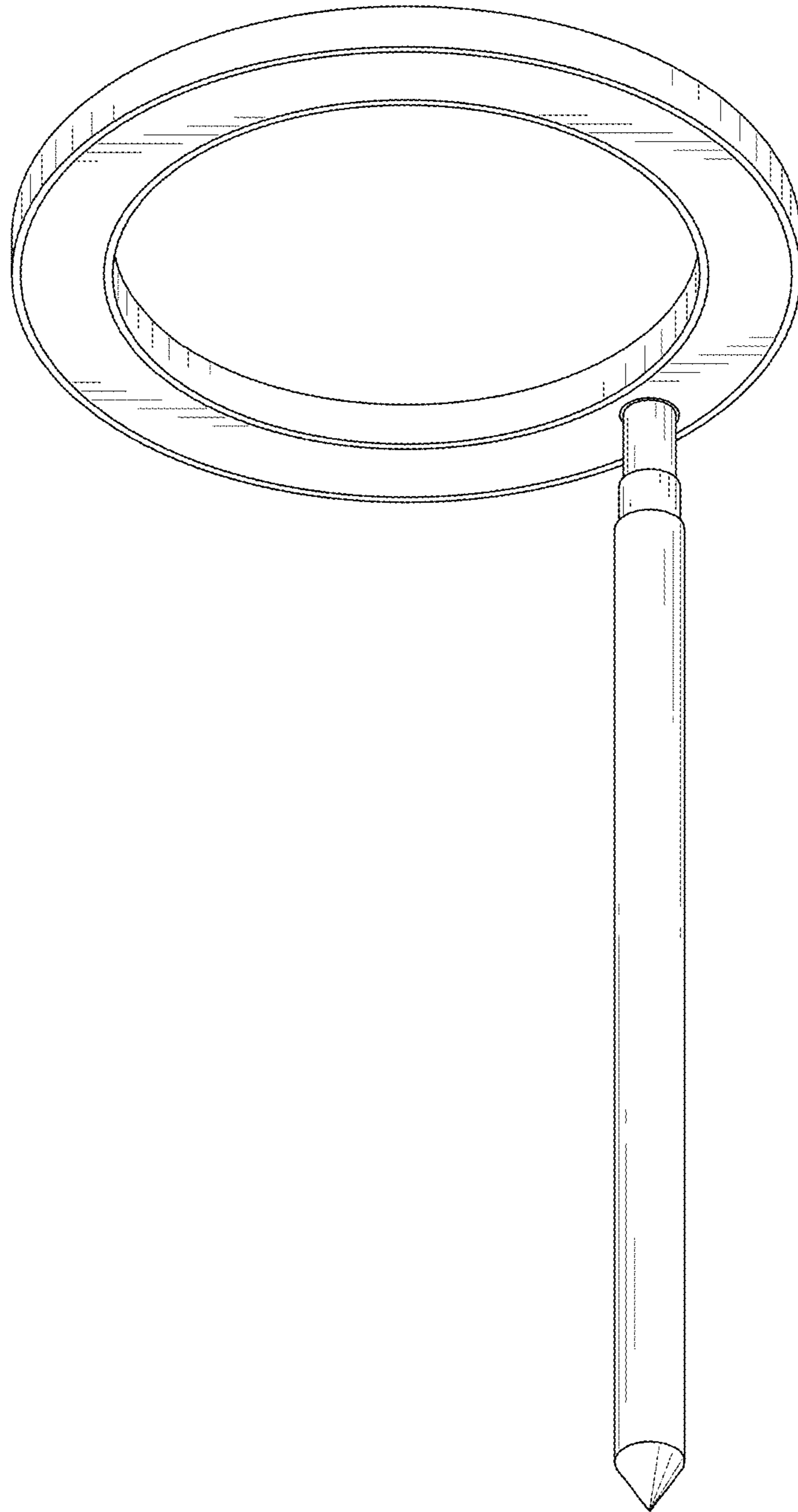


FIG. 1

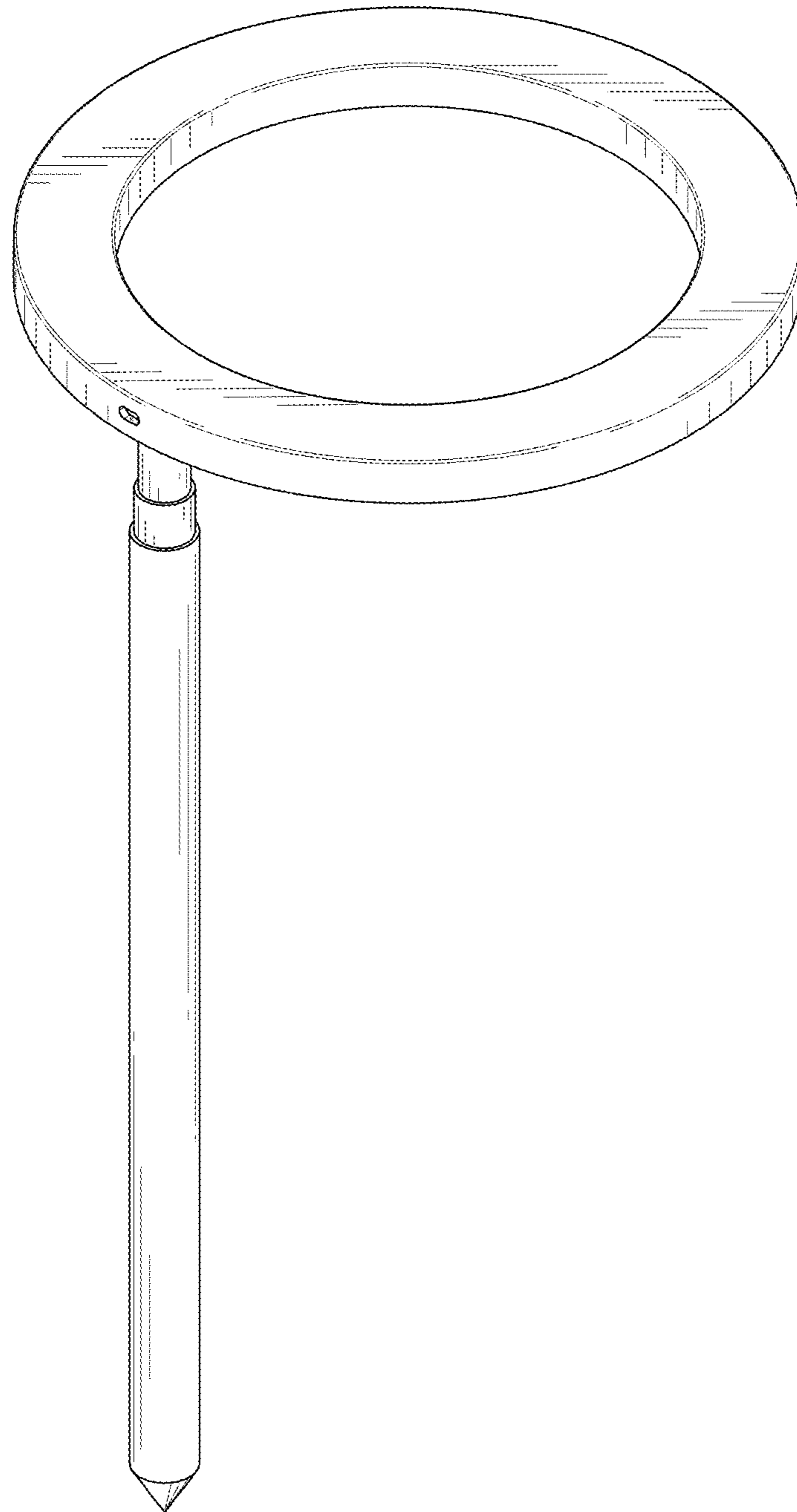


FIG. 2

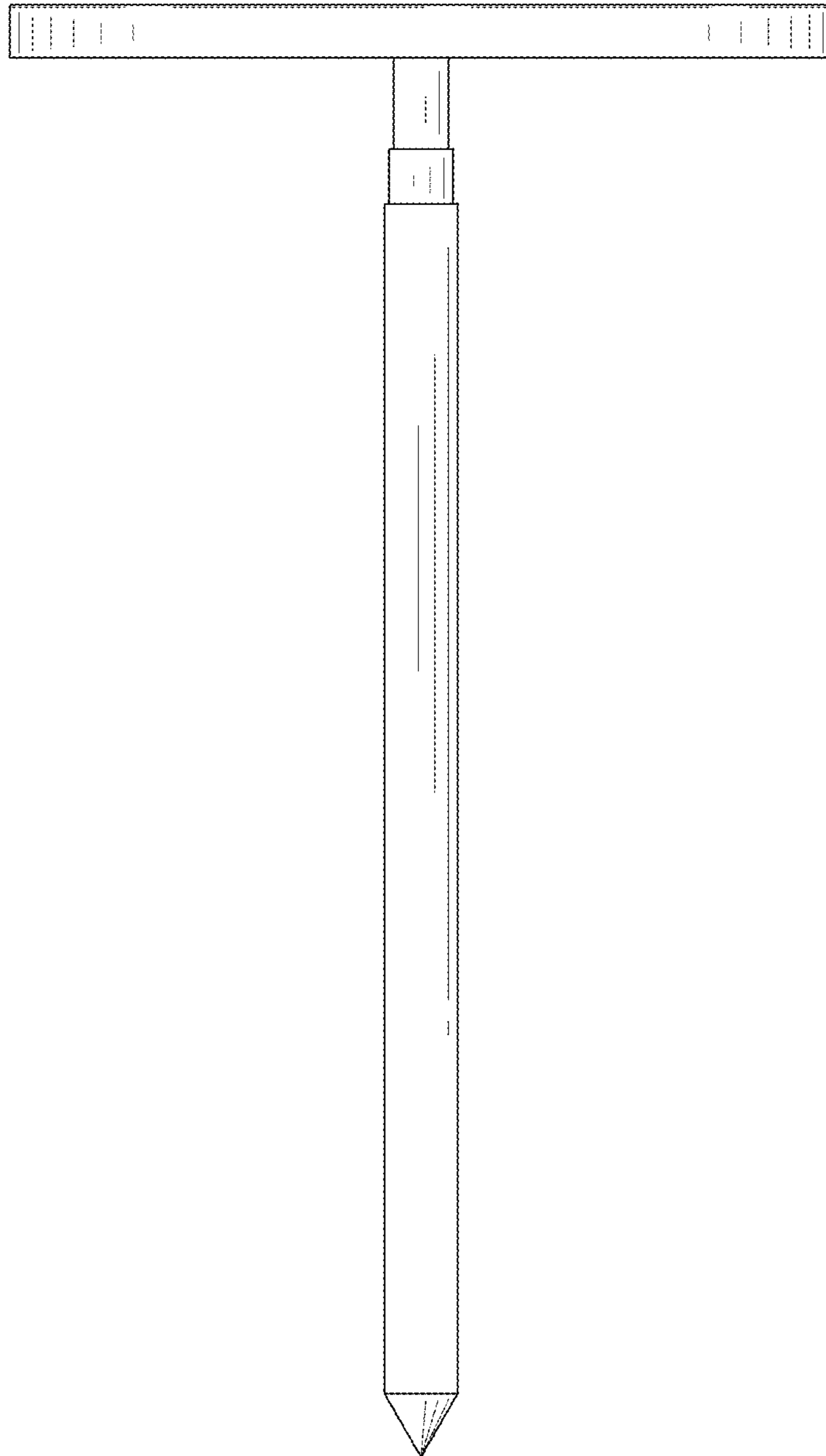


FIG. 3

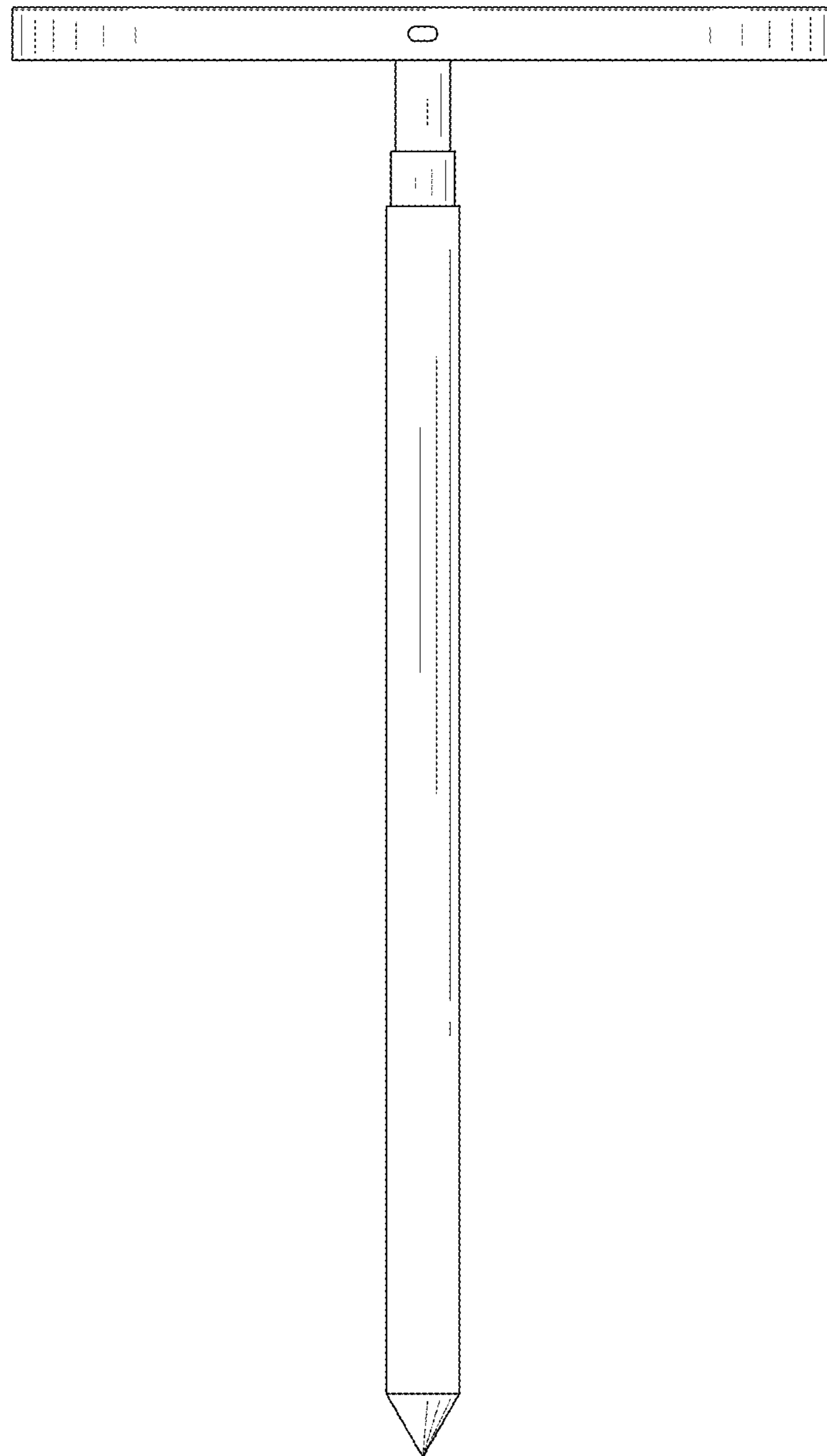


FIG. 4

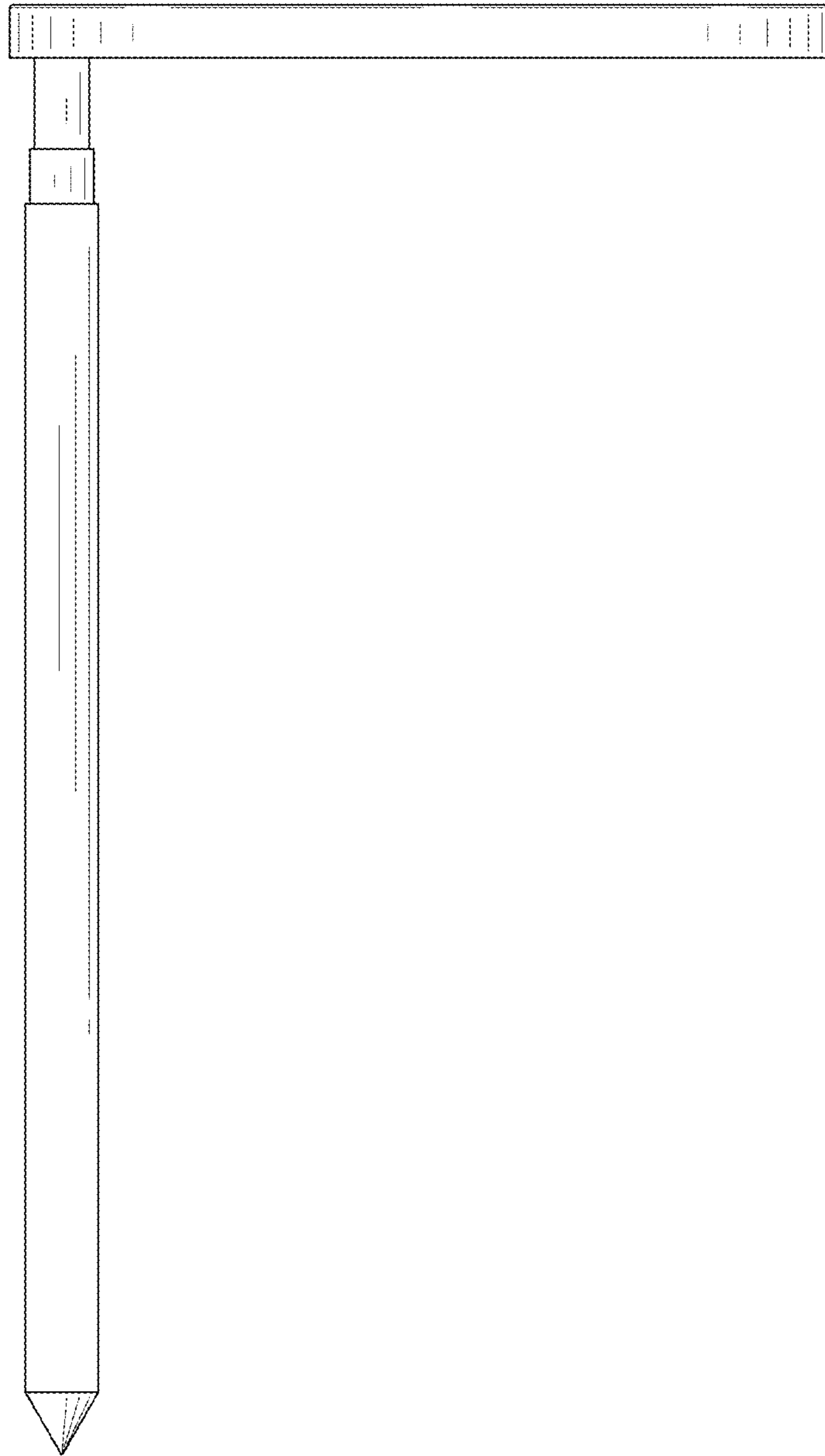


FIG. 5

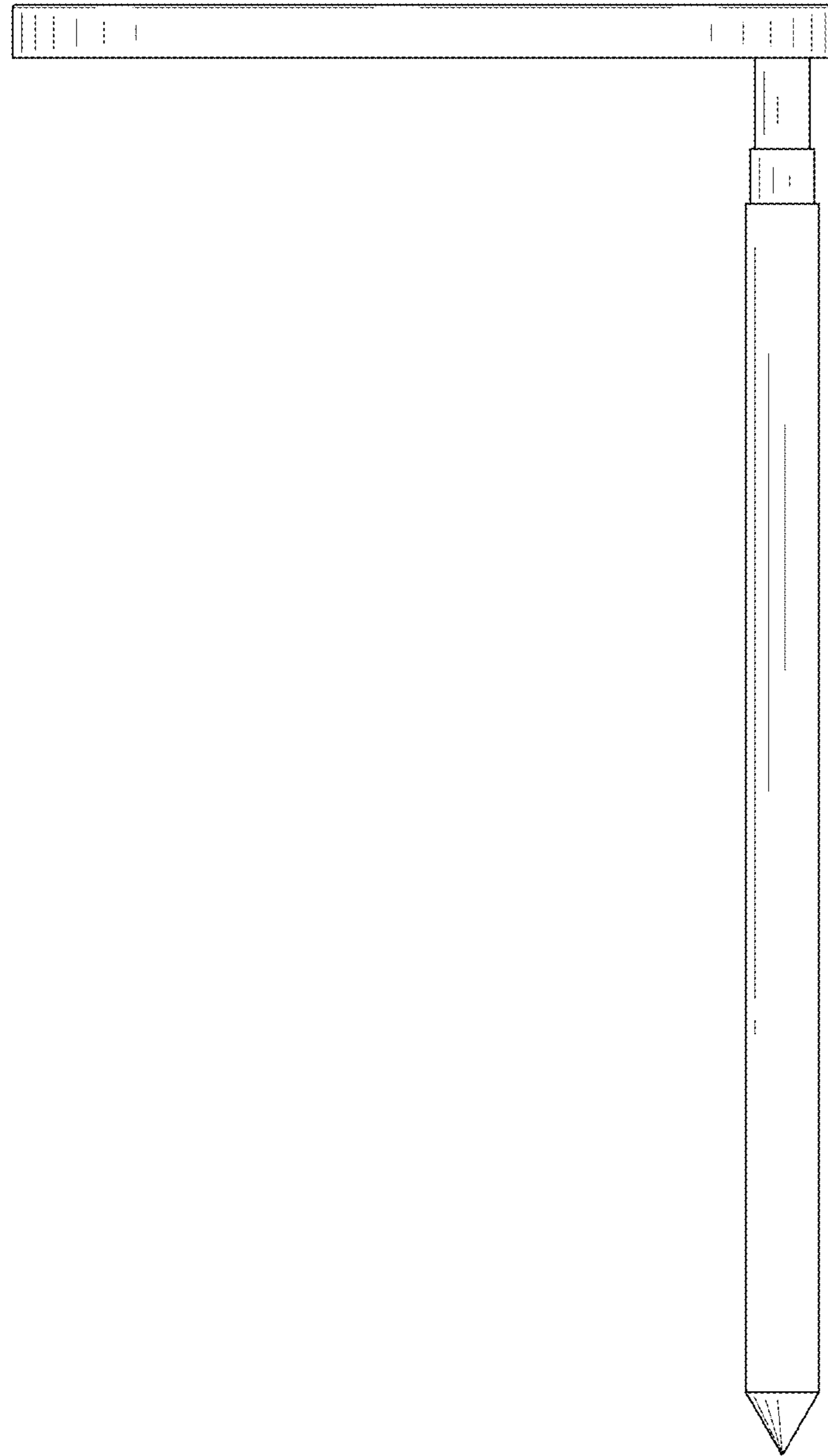


FIG. 6

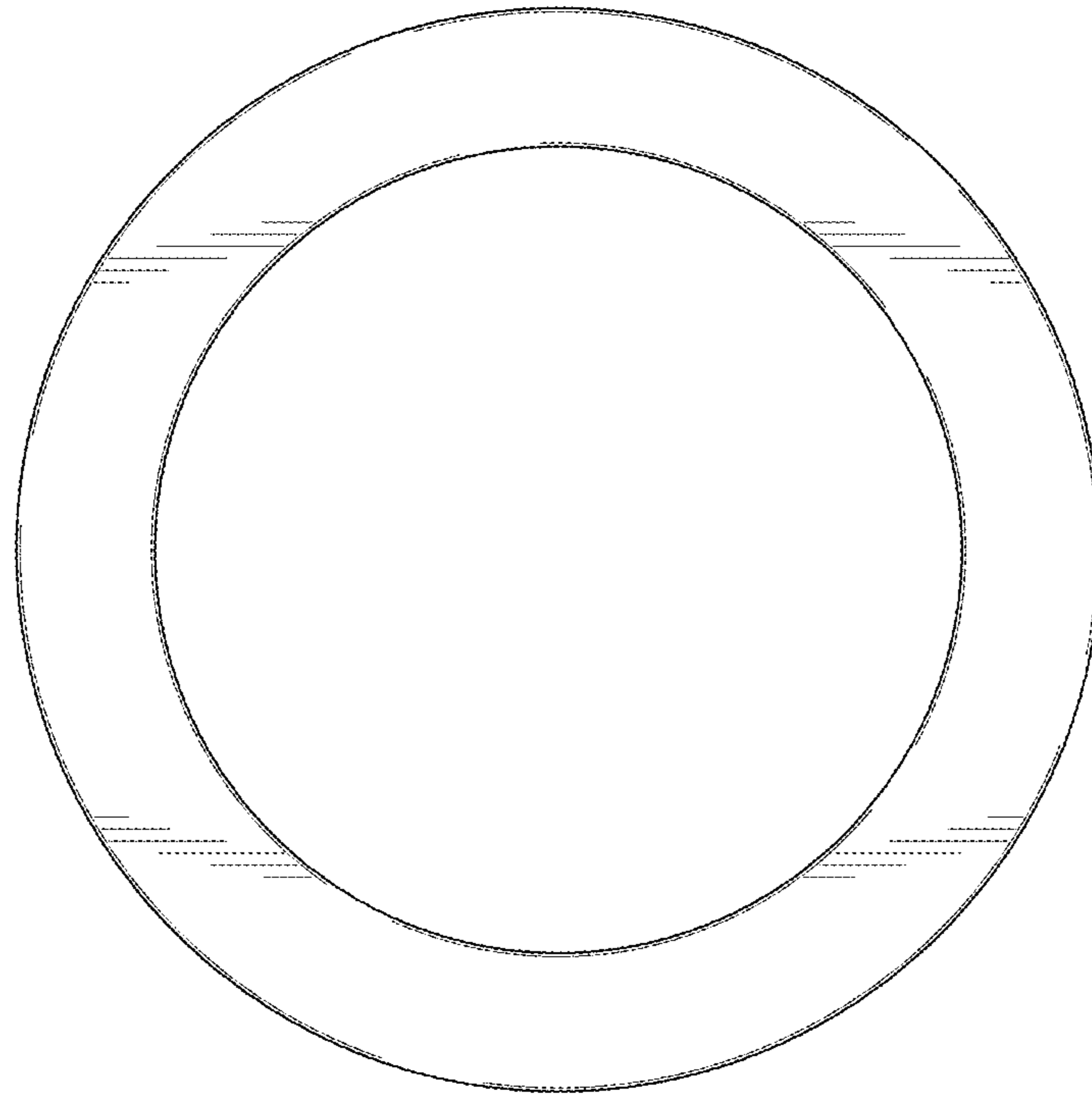


FIG. 7

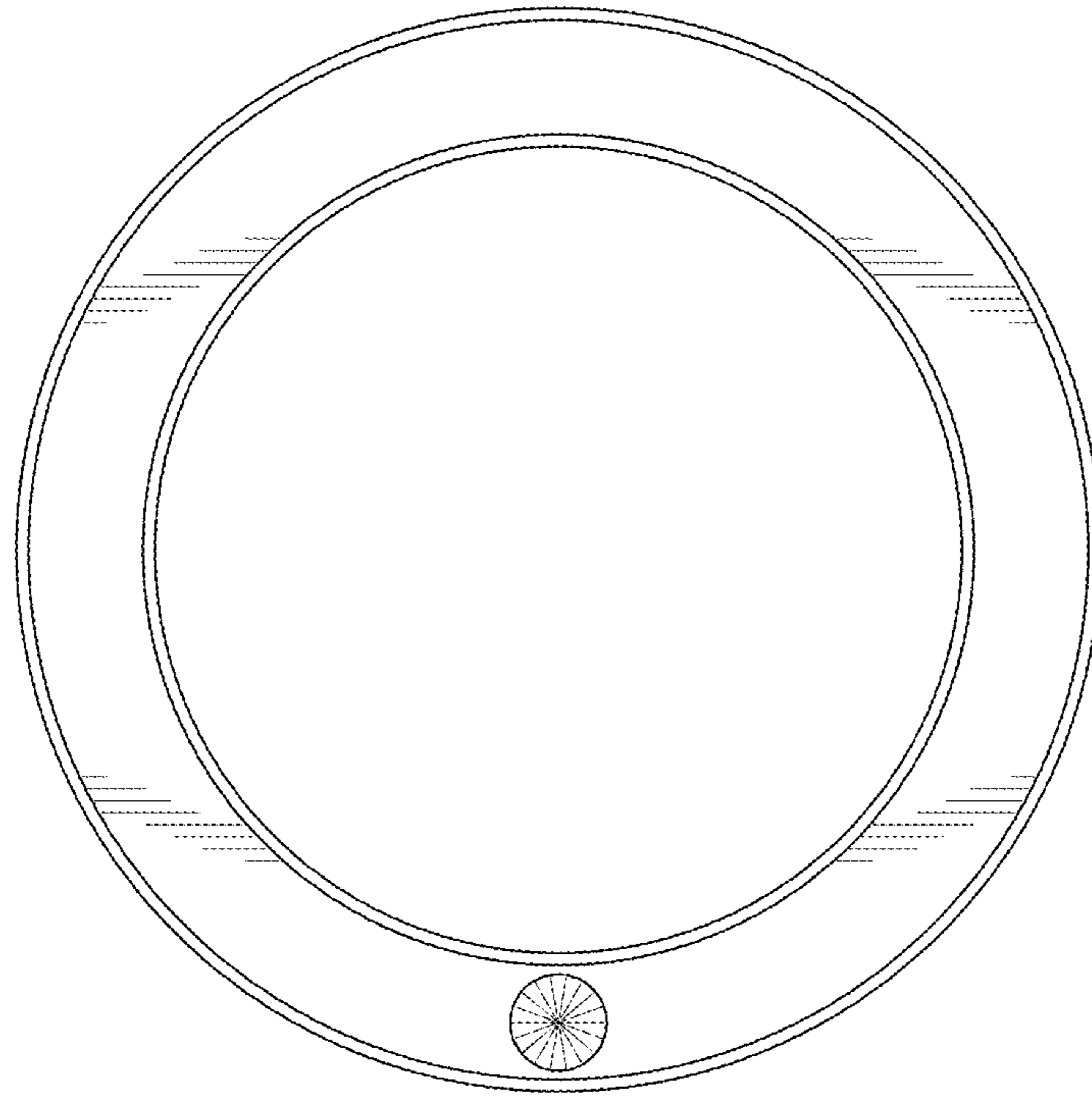


FIG. 8

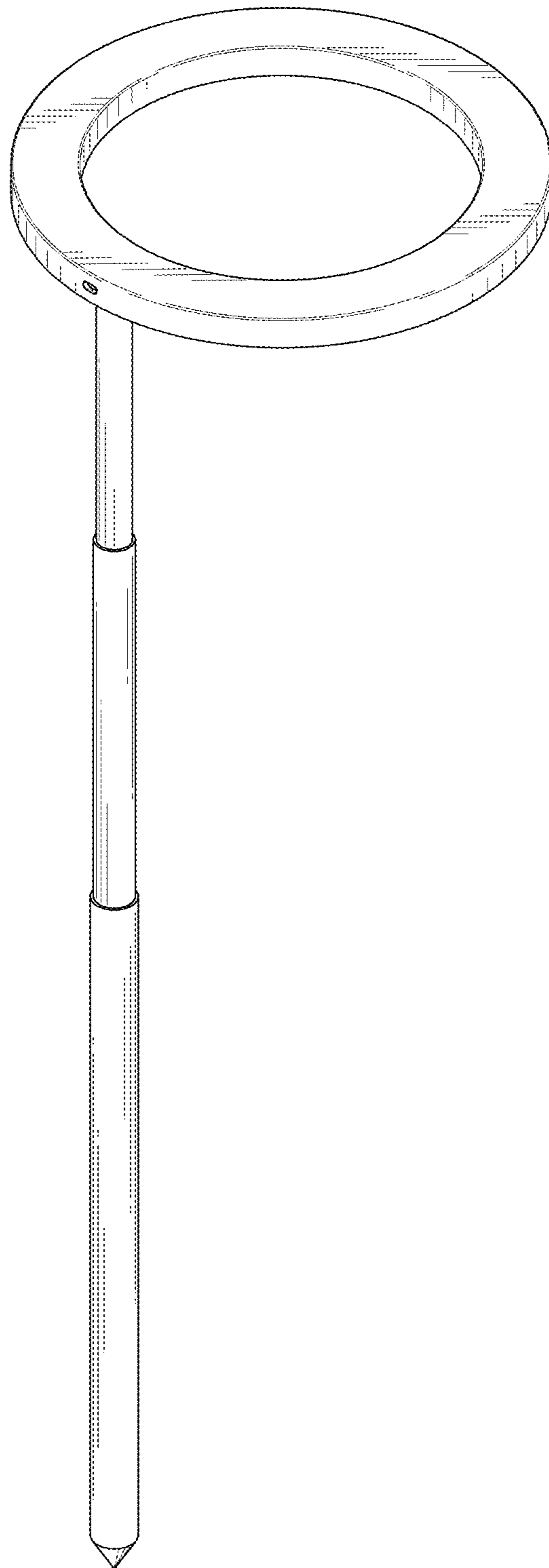


FIG. 9

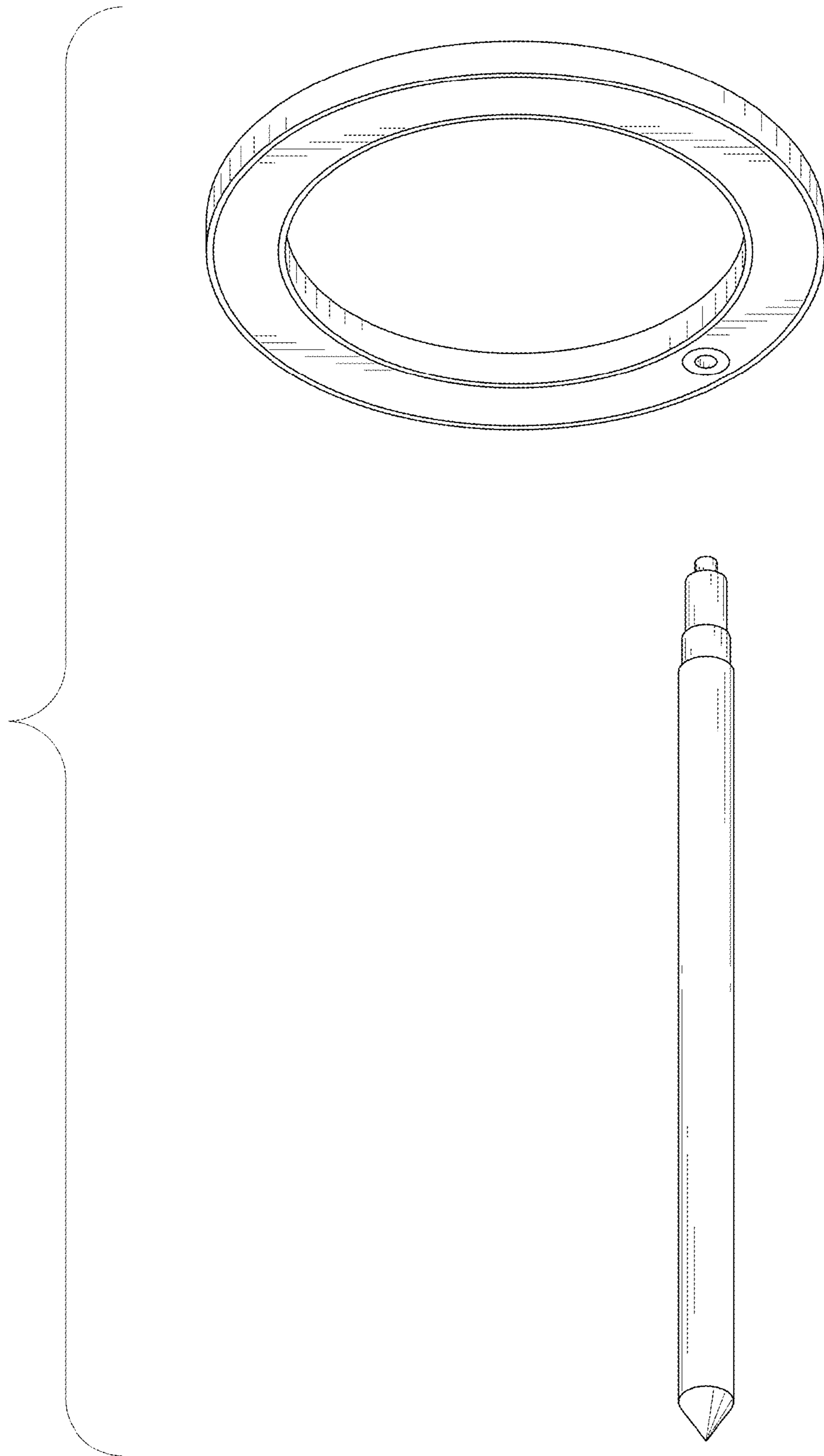


FIG. 10